



US00D587496S

(12) **United States Design Patent**
Weitz

(10) **Patent No.:** **US D587,496 S**

(45) **Date of Patent:** **** Mar. 3, 2009**

(54) **AUDIO VIDEO SHELVING UNIT**

(75) Inventor: **Robert Weitz**, Toms River, NJ (US)

(73) Assignee: **Bell'O International Corp.**,
Morganville, NJ (US)

(**) Term: **14 Years**

(21) Appl. No.: **29/307,109**

(22) Filed: **Mar. 31, 2008**

(51) **LOC (9) Cl.** **06-04**

(52) **U.S. Cl.** **D6/477**

(58) **Field of Classification Search** D6/470,
D6/471, 474, 477-479, 460-461, 468; 312/7.2,
312/9.1; 108/59, 91, 92, 96; 211/40, 41.12,
211/42, 49.1, 50, 85.2, 90.04, 187, 190
See application file for complete search history.

(56) **References Cited**

U.S. PATENT DOCUMENTS

D378,175 S * 2/1997 Hamami D6/479
D454,731 S 3/2002 Niitsu et al.

(Continued)

OTHER PUBLICATIONS

Bell'O 2005-2006 Product Catalog.

Primary Examiner—Elizabeth A Albert
Assistant Examiner—Kelley A Donnelly

(74) *Attorney, Agent, or Firm*—Lerner, David, Littenberg,
Krumholz & Mentlik, LLP

(57) **CLAIM**

The ornamental design for an audio video shelving unit, as shown and described.

DESCRIPTION

FIG. 1 is a front perspective view of a first embodiment of my design for an audio video shelving unit;

FIG. 2 is a front elevational view thereof;

FIG. 3 is a rear elevational view thereof;

FIG. 4 is a top plan view thereof;

FIG. 5 is a right side view thereof (the left side being a mirror image of the right side view);

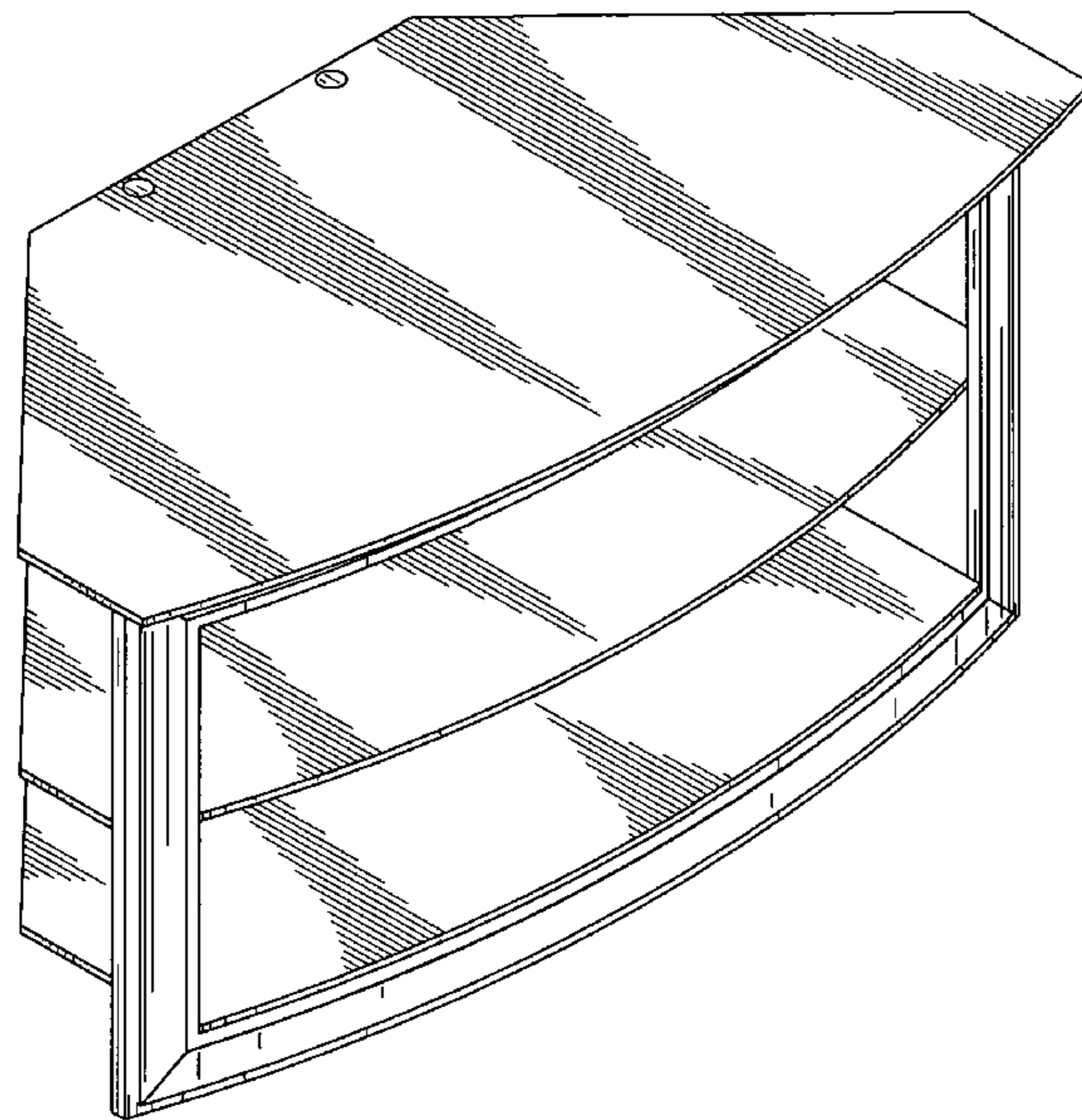
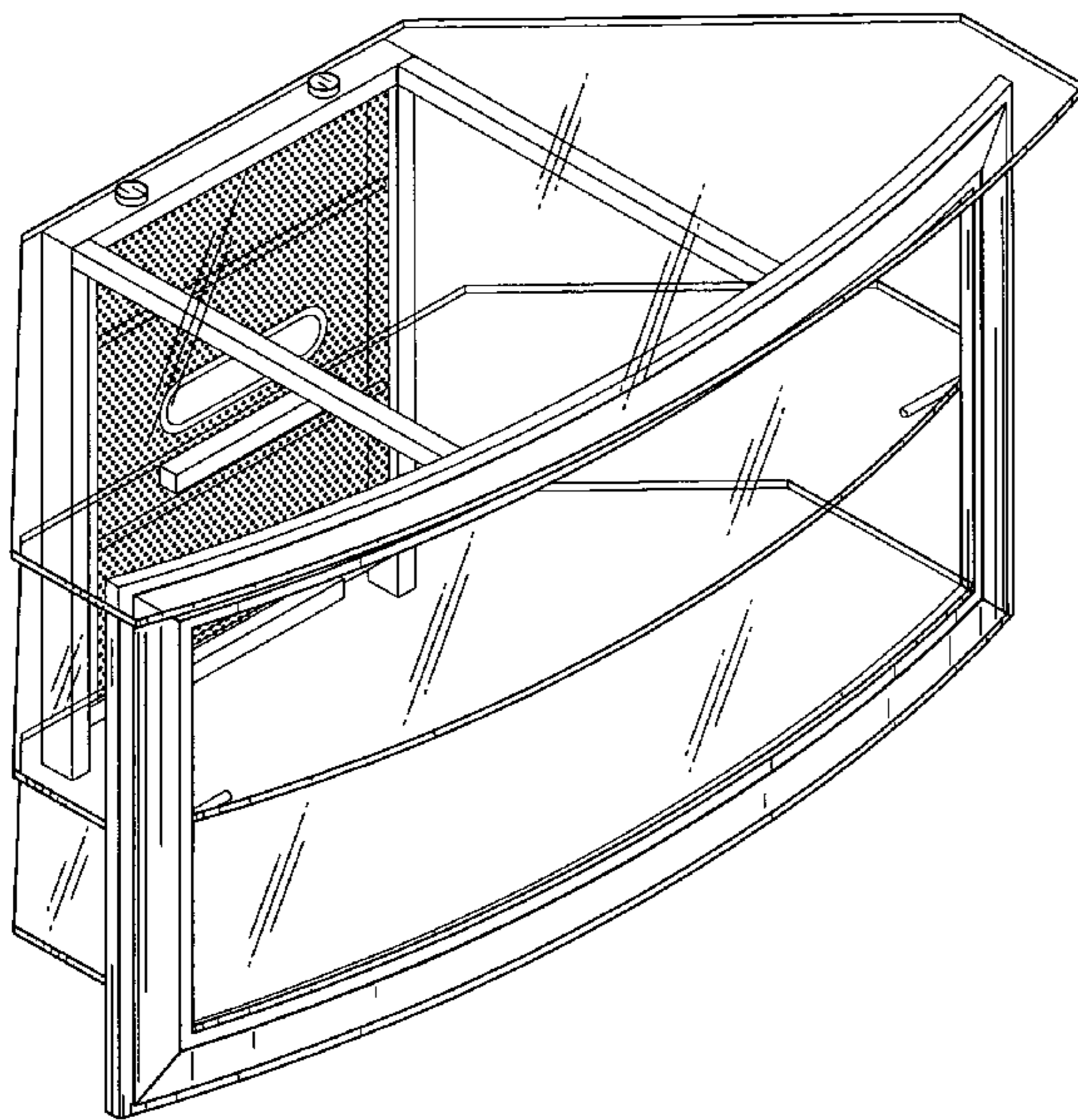
FIG. 6 is a front perspective view of a second embodiment of the audio video shelving unit; and,

FIG. 7 is a top plan view of the embodiment shown in FIG. 6 (all other views of the second embodiment having the same appearances as FIGS. 1-5).

The broken lines are for environmental purposes only and form no part of the claimed design.

The stippling that can be seen on the claimed design represents a textured surface.

1 Claim, 7 Drawing Sheets



US D587,496 S

Page 2

U.S. PATENT DOCUMENTS					
D458,053 S	6/2002	Luong	D516,847 S	3/2006	Stenhouse et al.
D472,073 S	3/2003	de Carolis	D517,837 S *	3/2006	Takatsuki et al. D6/477
D472,074 S	3/2003	de Carolis	D518,664 S *	4/2006	Villalobos et al. D6/477
D472,075 S	3/2003	de Carolis	D519,757 S	5/2006	Portnoy
D489,548 S	5/2004	Malizia et al.	D524,080 S	7/2006	Stenhouse et al.
D491,748 S	6/2004	deCarolis	D525,052 S	7/2006	Malizia et al.
D491,749 S	6/2004	Malizia et al.	D525,054 S	7/2006	Stenhouse et al.
D491,750 S	6/2004	Bertoncini et al.	D537,208 S	8/2006	Malizia et al.
D491,753 S	6/2004	deCarolis	D529,315 S *	10/2006	Villalobos et al. D6/477
D492,860 S	7/2004	Bertoncini et al.	D535,497 S	1/2007	Portnoy
D493,982 S	8/2004	deCarolis	D537,656 S	3/2007	Stenhouse et al.
D496,543 S *	9/2004	Forlenza D6/477	D539,057 S *	3/2007	Senda et al. D6/477
D496,807 S	10/2004	deCarolis	D543,729 S *	6/2007	Weatherly D6/474
D497,060 S	10/2004	Chang et al.	D549,991 S	9/2007	Stravitz
D497,061 S	10/2004	Decarolis	D554,393 S	11/2007	Yalif
D505,573 S	5/2005	Malizia	D555,397 S	11/2007	Yalif
D506,329 S	6/2005	Sexton	D559,583 S	1/2008	Zambelli
D507,433 S	7/2005	Portnoy	D559,584 S	1/2008	Zambelli
D507,900 S	8/2005	Sexton	D560,077 S	1/2008	Zambelli
D508,172 S	8/2005	Malizia et al.	D560,396 S *	1/2008	Weatherly D6/470
D515,337 S	2/2006	deCarolis	D562,593 S	2/2008	Zambelli
D516,838 S	3/2006	Portnoy	D564,260 S	3/2008	deCarolis
D516,839 S *	3/2006	Wicha D6/477	D564,261 S	3/2008	Sculler
D516,840 S	3/2006	deCarolis	D564,789 S	3/2008	deCarolis
D516,841 S *	3/2006	Stenhouse et al. D6/479	D564,796 S	3/2008	Zambelli
			D575,557 S *	8/2008	Sexton D6/477

* cited by examiner

FIG. 1

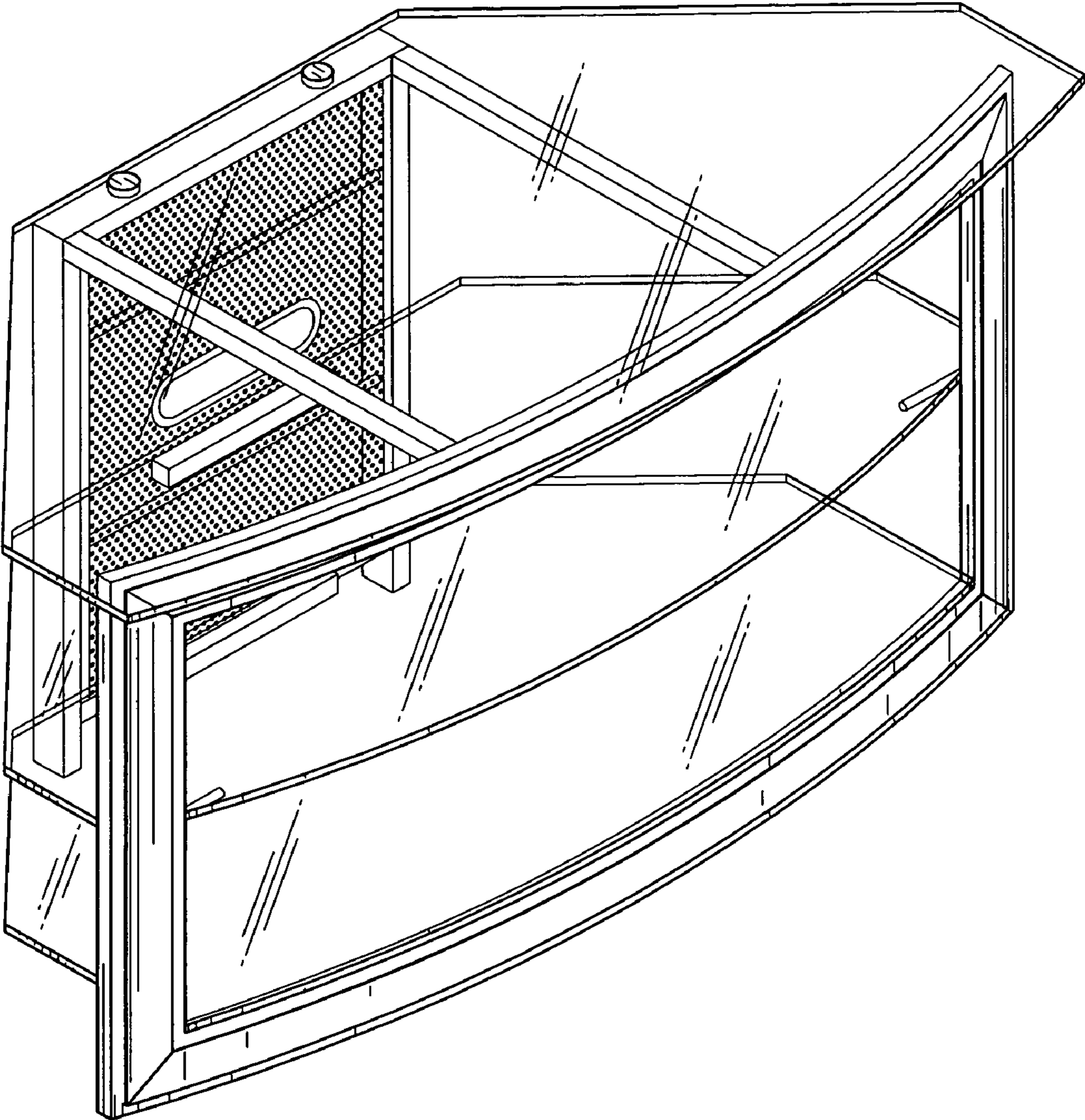


FIG. 2

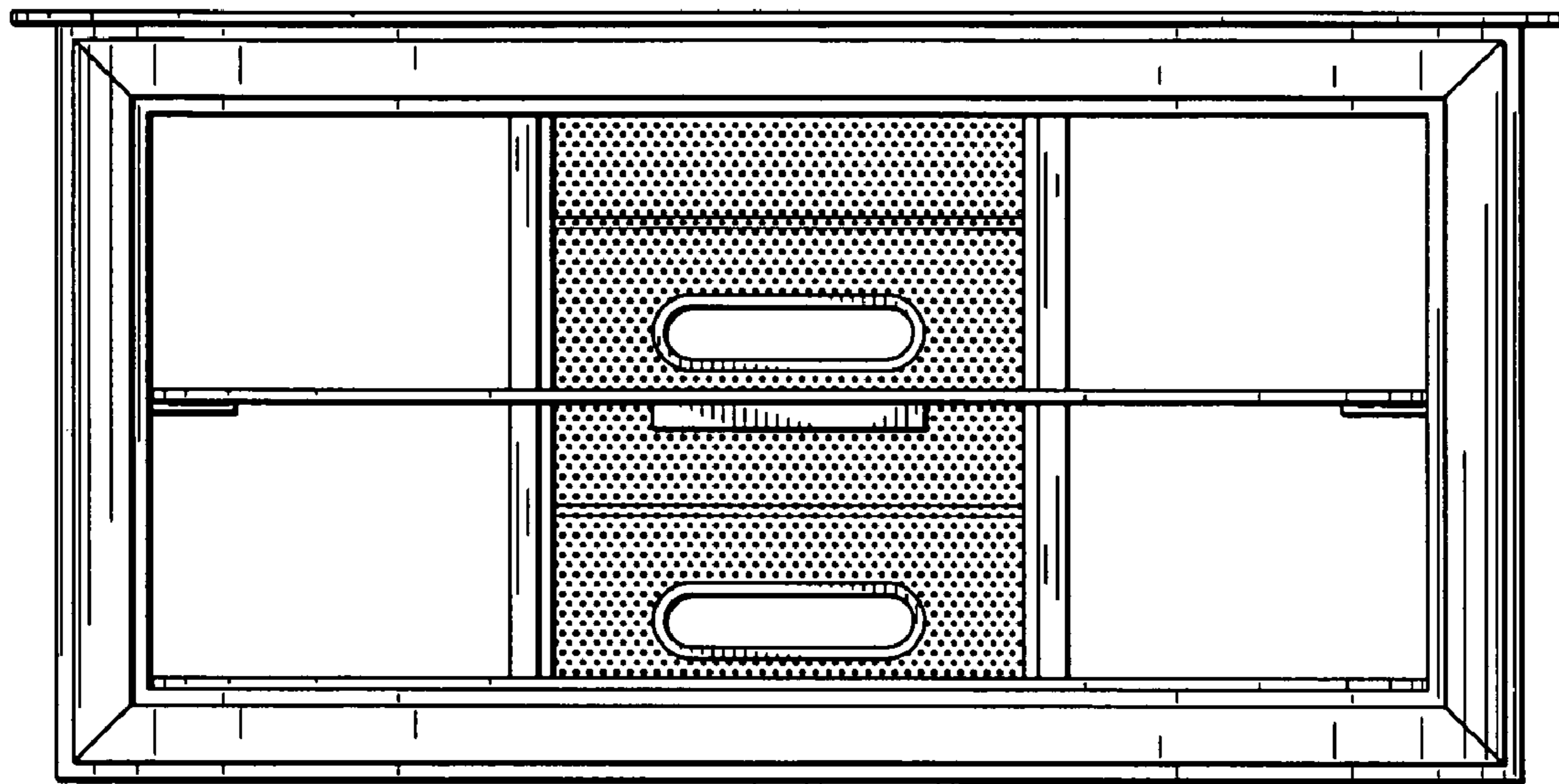


FIG. 3

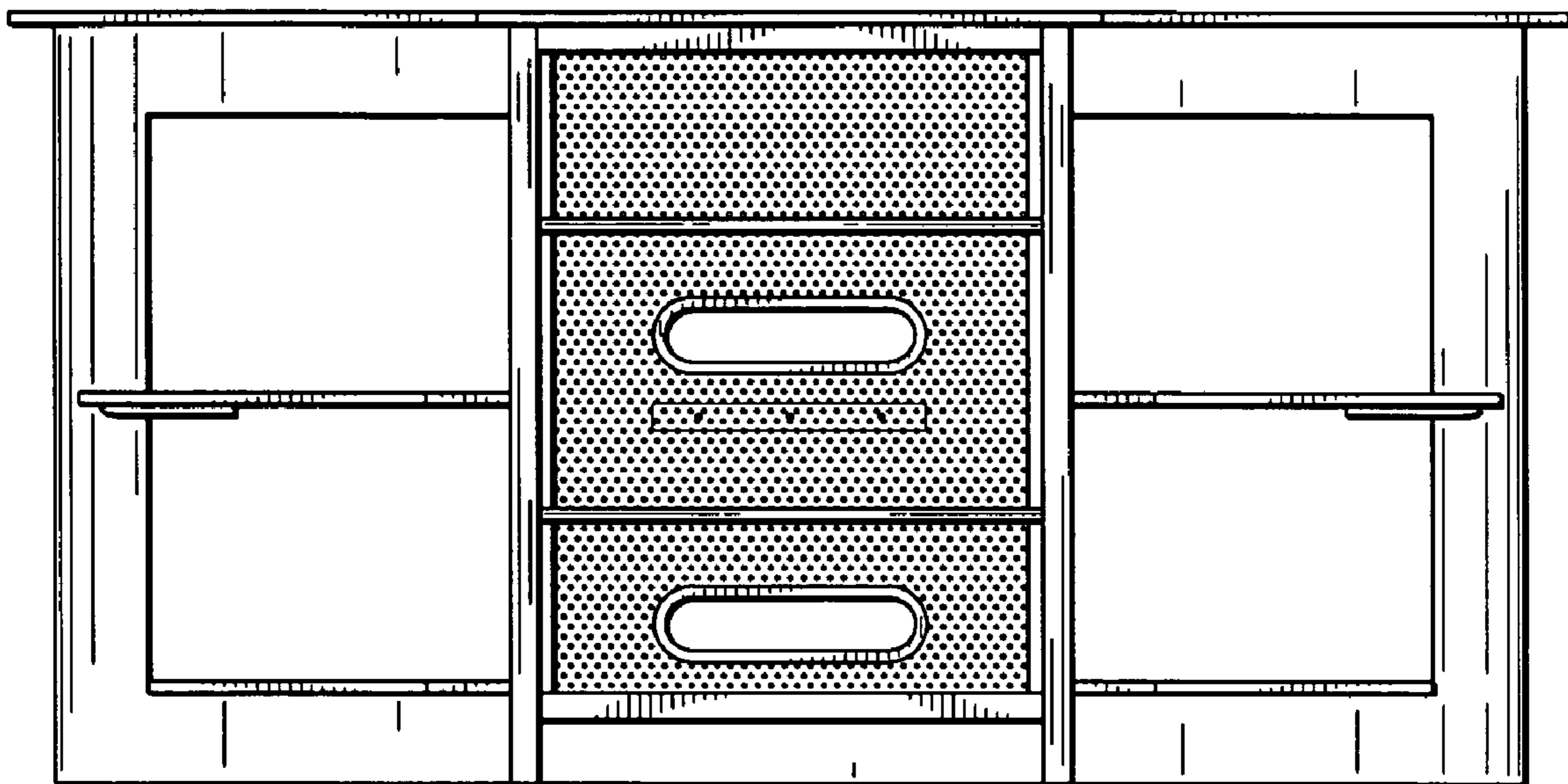


FIG. 4

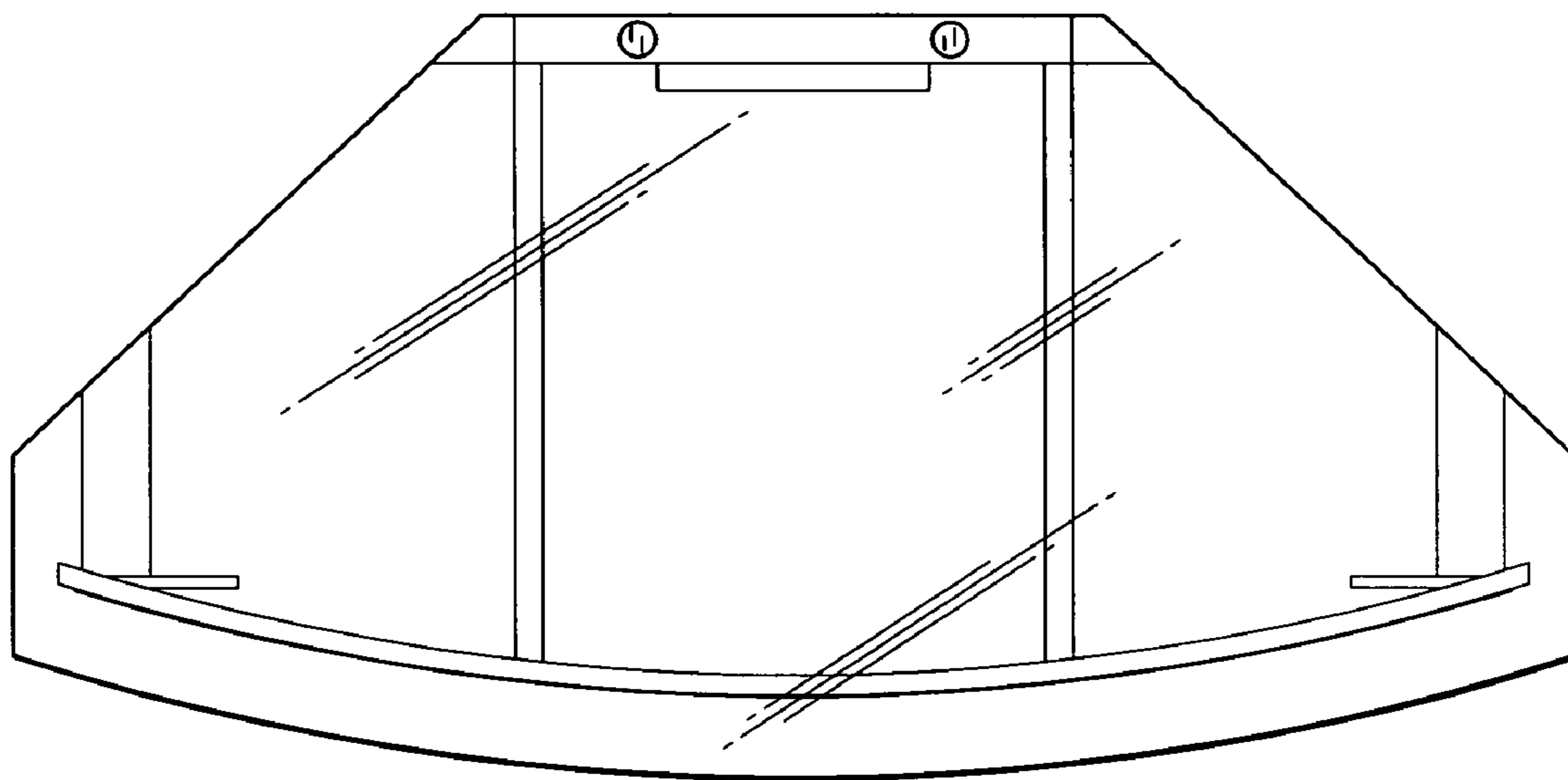


FIG. 5

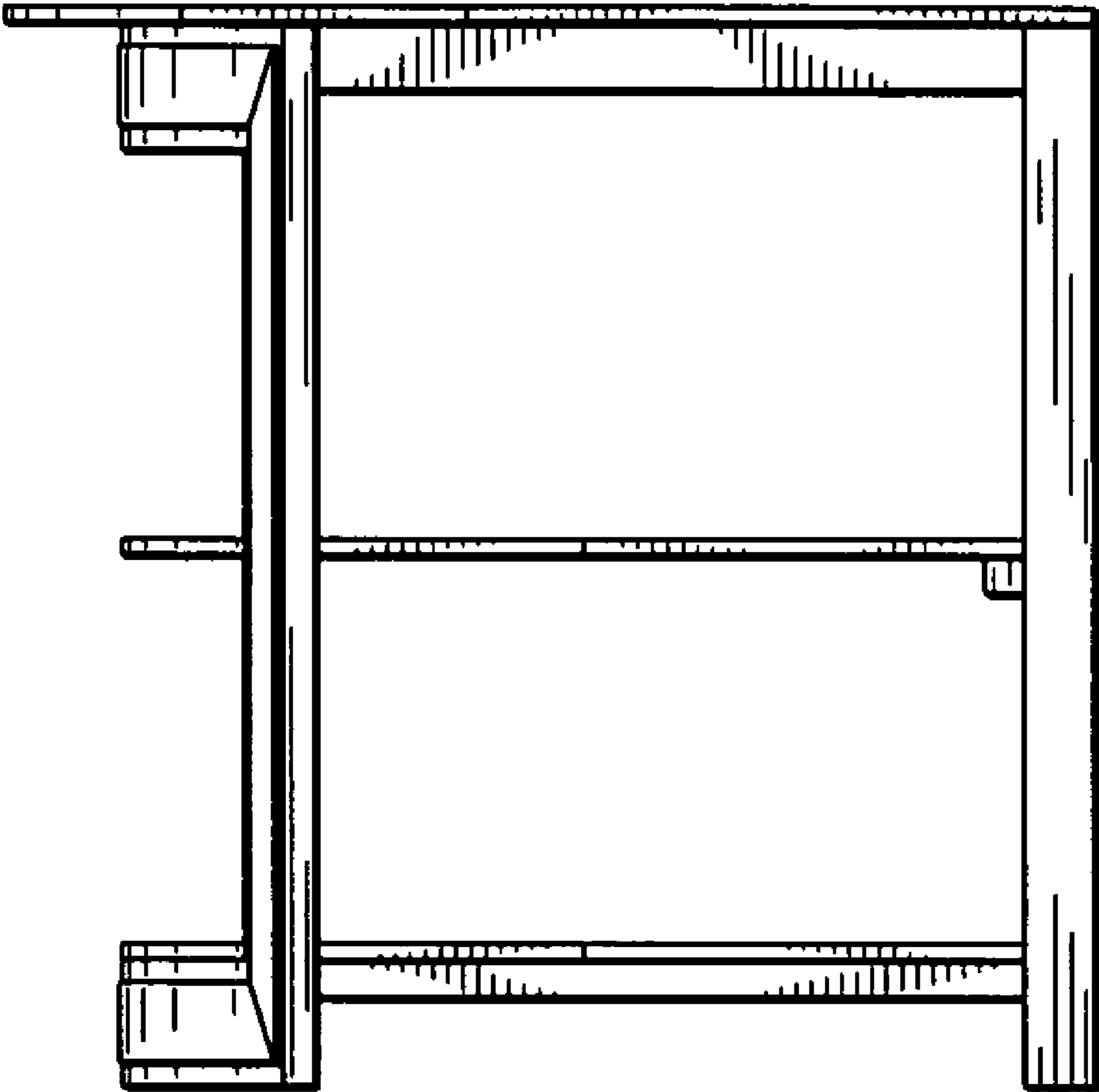


FIG. 6

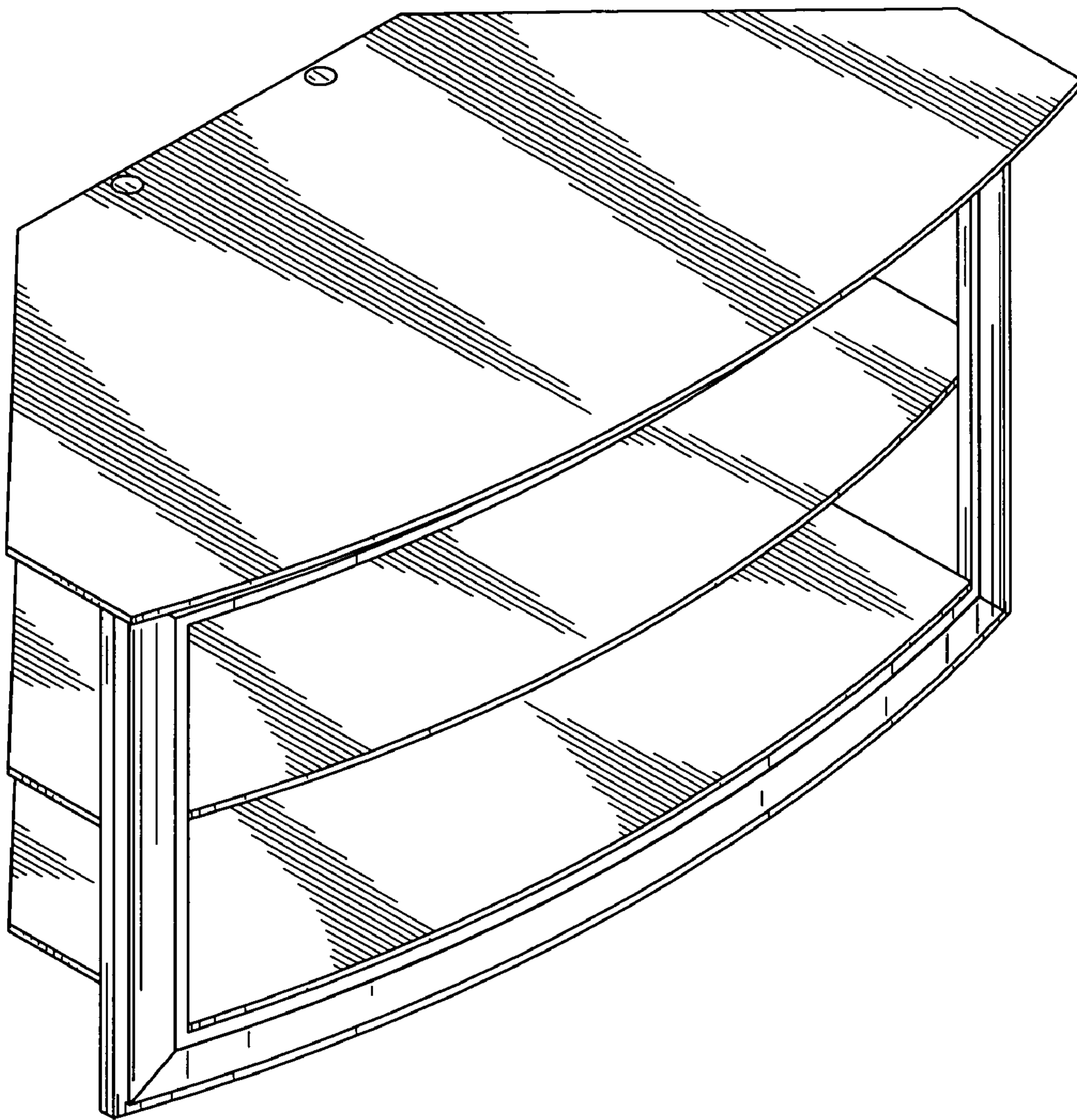


FIG. 7

