



US00D587492S

(12) **United States Design Patent**
Gusdorf

(10) **Patent No.:** **US D587,492 S**
(45) **Date of Patent:** **** Mar. 3, 2009**

(54) **STACKABLE AND NESTABLE SHELVES WITH REINFORCED PLATFORM**

(75) Inventor: **Michael L. Gusdorf**, St. Louis, MO (US)

(73) Assignee: **Industrial Wire Products, Inc.**, Sullivan, MO (US)

(**) Term: **14 Years**

(21) Appl. No.: **29/307,684**

(22) Filed: **May 6, 2008**

Related U.S. Application Data

(63) Continuation-in-part of application No. 29/255,646, filed on Mar. 10, 2006, now Pat. No. Des. 579,237.

(51) **LOC (9) Cl.** **06-07**

(52) **U.S. Cl.** **D6/462**

(58) **Field of Classification Search** D6/343, D6/397, 458, 462-468, 477, 475, 455, 456, D6/546, 511; 108/50.11, 59, 91, 92, 93; 211/13.1, 37, 38, 85.3, 85.4, 30, 34, 42, 49.1, 211/90.03, 106, 119, 134, 186-189, 181.1, 211/200, 204-208; 248/441.1, 465.1, 175, 248/451, 124.1, 448

See application file for complete search history.

(56) **References Cited**

U.S. PATENT DOCUMENTS

D214,603 S * 7/1969 Cohen D6/465
3,524,565 A * 8/1970 Wilson 220/491

3,905,286 A * 9/1975 Le Grady 99/450
4,191,160 A * 3/1980 Elliott 126/9 R
4,444,320 A * 4/1984 Chap 211/134
D278,196 S * 4/1985 Koves D6/465
4,953,473 A * 9/1990 Tomaka et al. 108/132
5,097,971 A * 3/1992 Norris et al. 211/126.6
D326,946 S * 6/1992 Szuster D3/306
D455,029 S * 4/2002 Gusdorf D6/462
D457,752 S * 5/2002 Wood et al. D6/462
D579,237 S * 10/2008 Gusdorf D6/462

* cited by examiner

Primary Examiner—Caron Veynar

Assistant Examiner—Abraham Bahta

(74) *Attorney, Agent, or Firm*—Paul M. Denk

(57) **CLAIM**

The ornamental design for the stackable and nestable shelves with reinforced platform, as shown and described.

DESCRIPTION

FIG. 1 is an isometric view of the flat wire stackable and nestable shelf with reinforced platform of this invention;

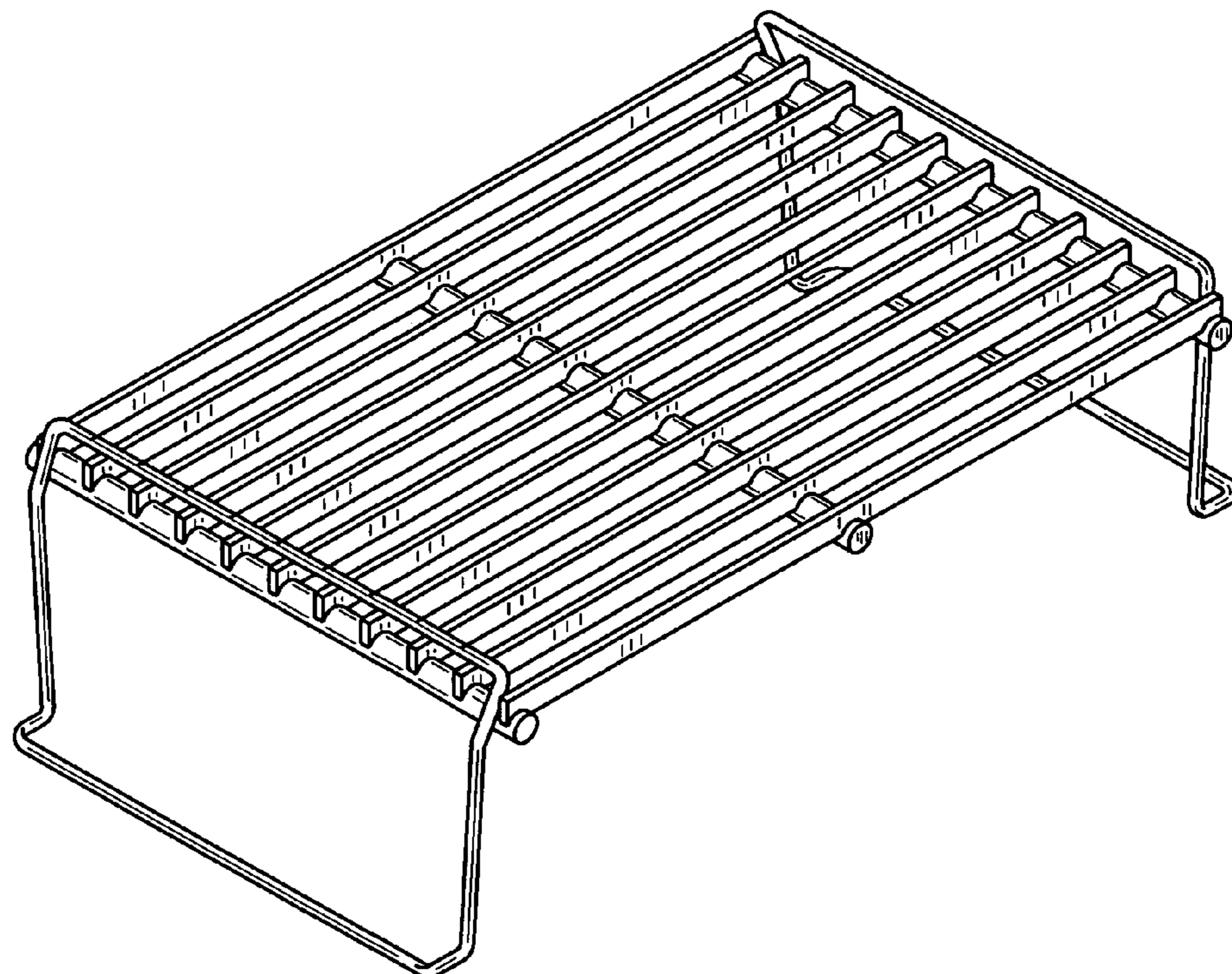
FIG. 2 is a side view, the opposite side view being a mirror image thereof;

FIG. 3 is an end view, that opposite end view being a mirror image thereof;

FIG. 4 is a bottom view; and,

FIG. 5 is top view.

1 Claim, 2 Drawing Sheets



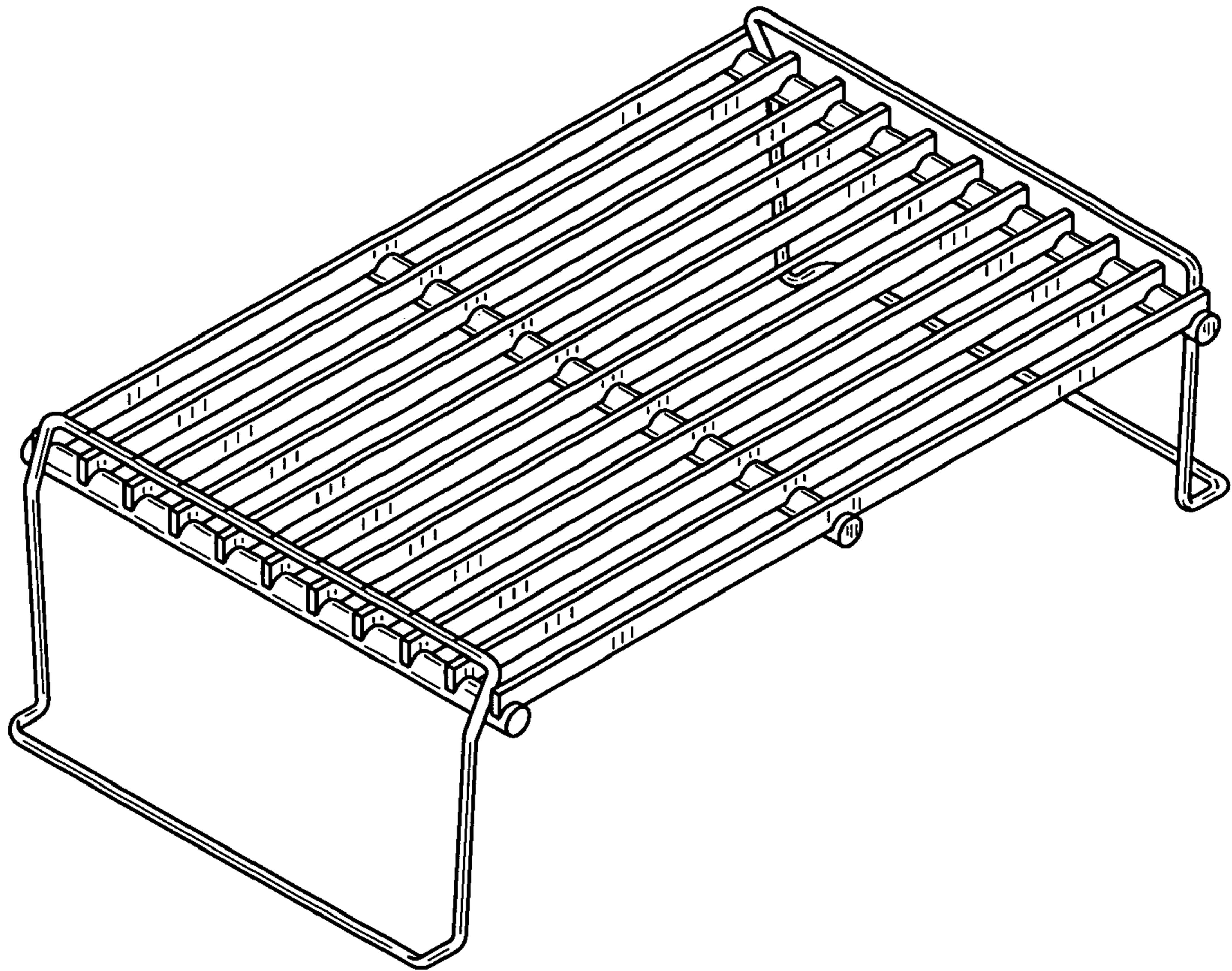


FIG. 1

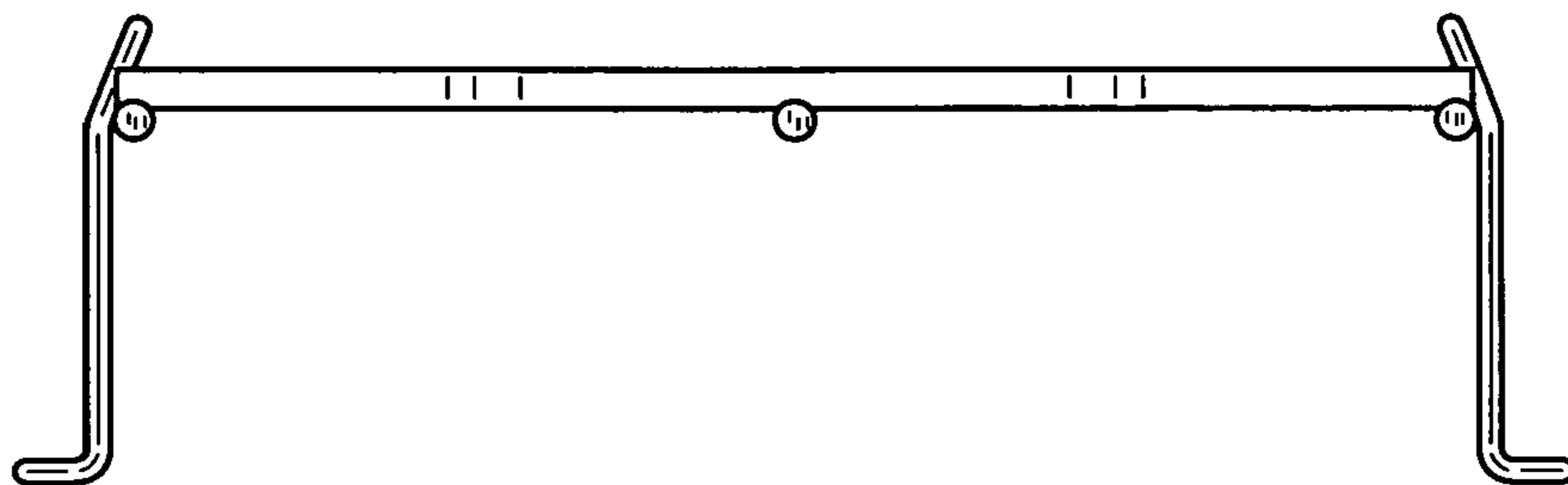


FIG. 2

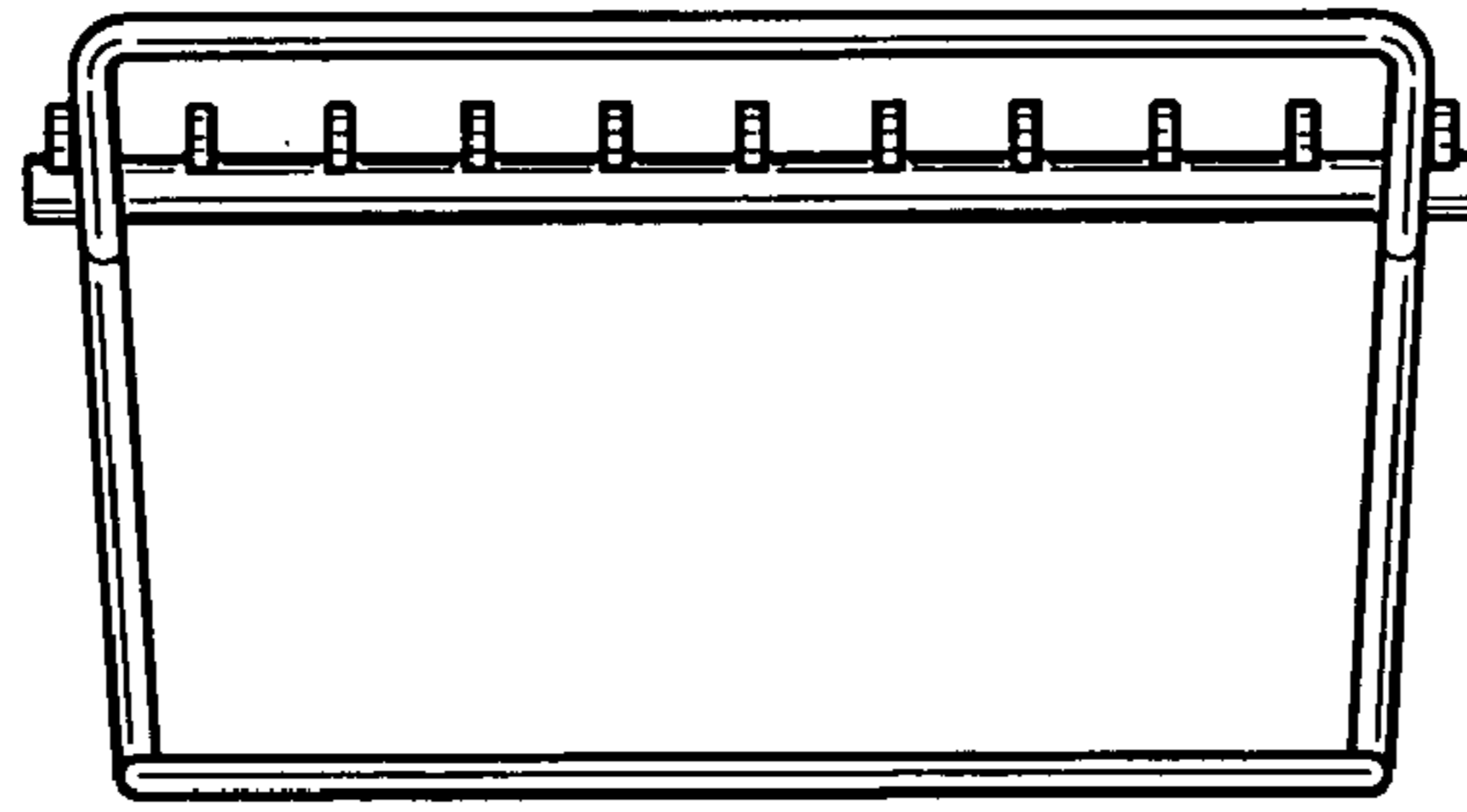


FIG. 3

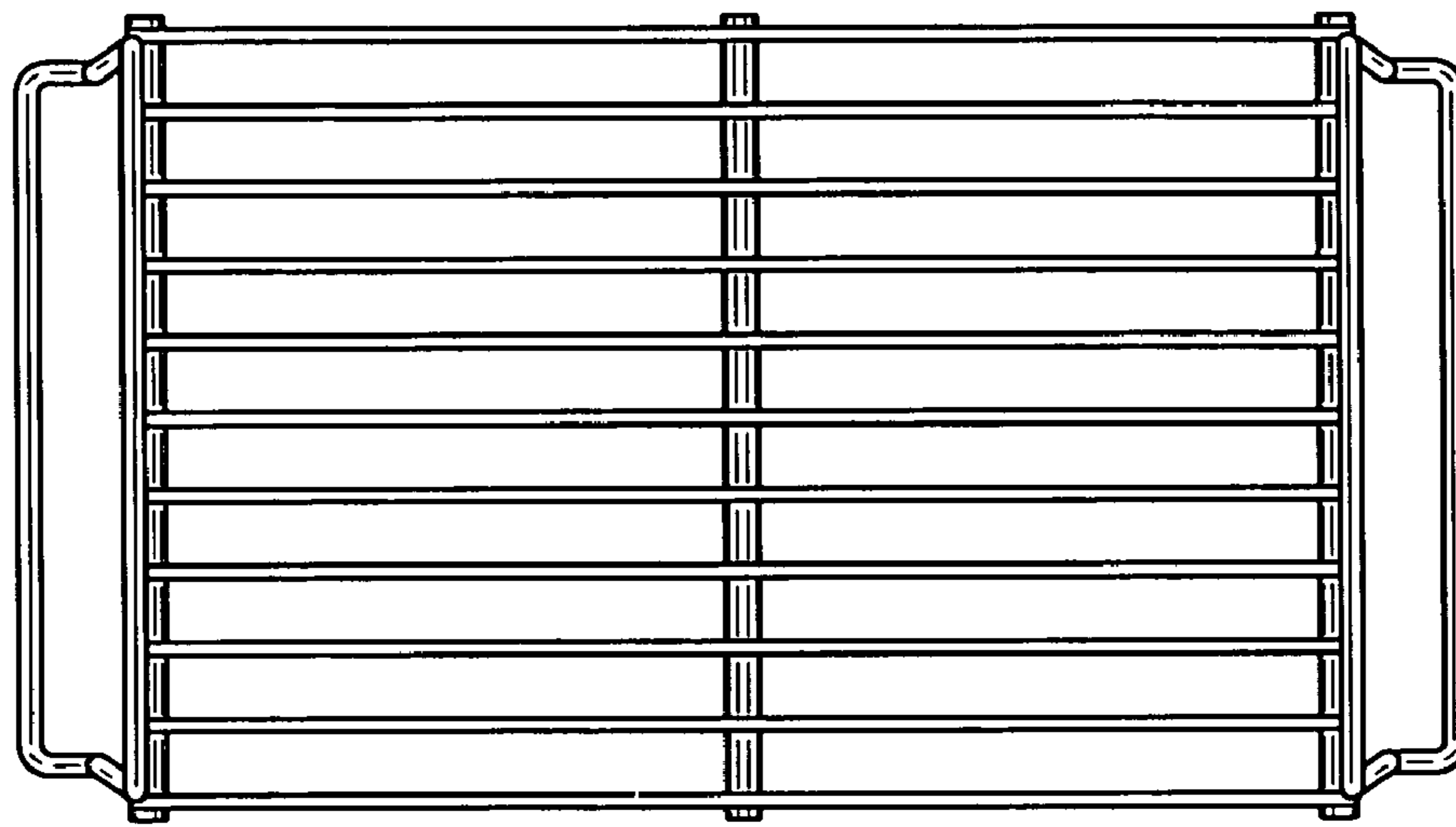


FIG. 4

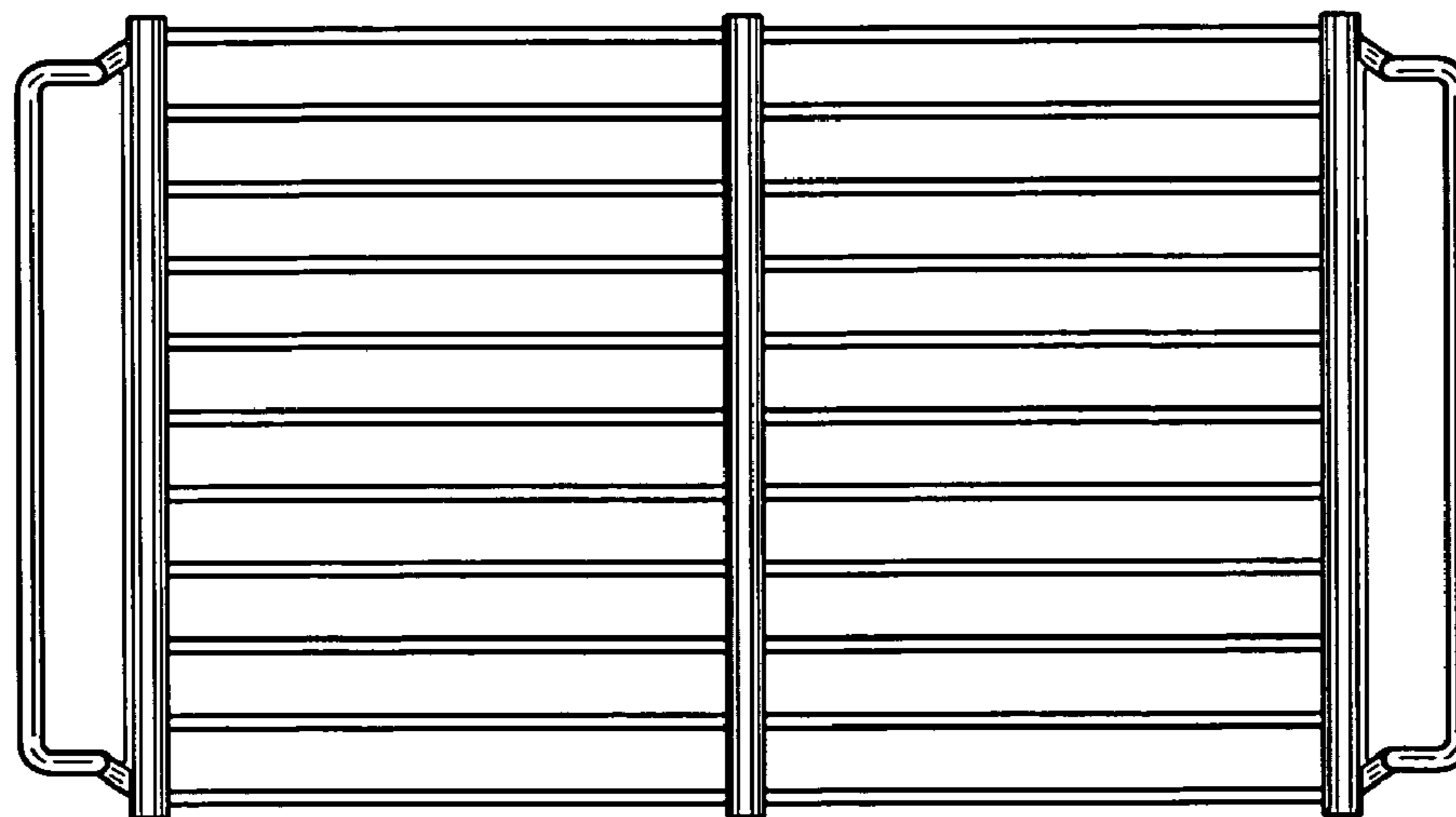


FIG. 5