



US00D587491S

(12) **United States Design Patent**
Casper

(10) **Patent No.:** **US D587,491 S**
(45) **Date of Patent:** **** Mar. 3, 2009**

(54) **ROLLING TIRE RACK**

(76) Inventor: **Benjamin G. Casper**, 171 N. Canal Blvd., Basin City, WA (US) 99343

(**) Term: **14 Years**

(21) Appl. No.: **29/301,618**

(22) Filed: **Mar. 28, 2008**

(51) **LOC (9) Cl.** **06-04**

(52) **U.S. Cl.** **D6/462**

(58) **Field of Classification Search** D6/462,
D6/411, 466, 449, 458; 211/23, 24, 190,
211/182, 206, 189, 49.1, 13.1, 85.3; D34/22,
D34/17, 12, 23; 280/79.3, 651, 47.35, 659,
280/47.16, 79.11

See application file for complete search history.

(56) **References Cited**

U.S. PATENT DOCUMENTS

D131,907 S *	4/1942	Sarvis	D6/462
D174,422 S *	4/1955	Frick	D34/22
2,980,438 A *	4/1961	Baer	280/79.3
D294,760 S *	3/1988	Vanderdoes, Sr.	D34/17
5,090,725 A *	2/1992	Feldner	280/651

5,190,305 A *	3/1993	Putman	280/79.3
5,280,933 A *	1/1994	Finneyfrock	280/47.43
D366,745 S *	1/1996	Kern et al.	D34/17
5,556,118 A *	9/1996	Kern et al.	280/47.16
D450,948 S *	11/2001	Stafford et al.	D6/411
D474,350 S *	5/2003	Sardis	D6/411
6,644,484 B1 *	11/2003	Sardis	211/190
D550,920 S *	9/2007	Tuncel et al.	D34/17

OTHER PUBLICATIONS

Benjamin G. Casper Sales Brochure Rolling tire rack (RubRRak) Fall of 2003, 1page, BC Enterprises, Basin City, WA, USA.

* cited by examiner

Primary Examiner—Caron Veynar

Assistant Examiner—Sydney R Buffalow

(57) **CLAIM**

The ornamental design for a rolling tire rack, as shown.

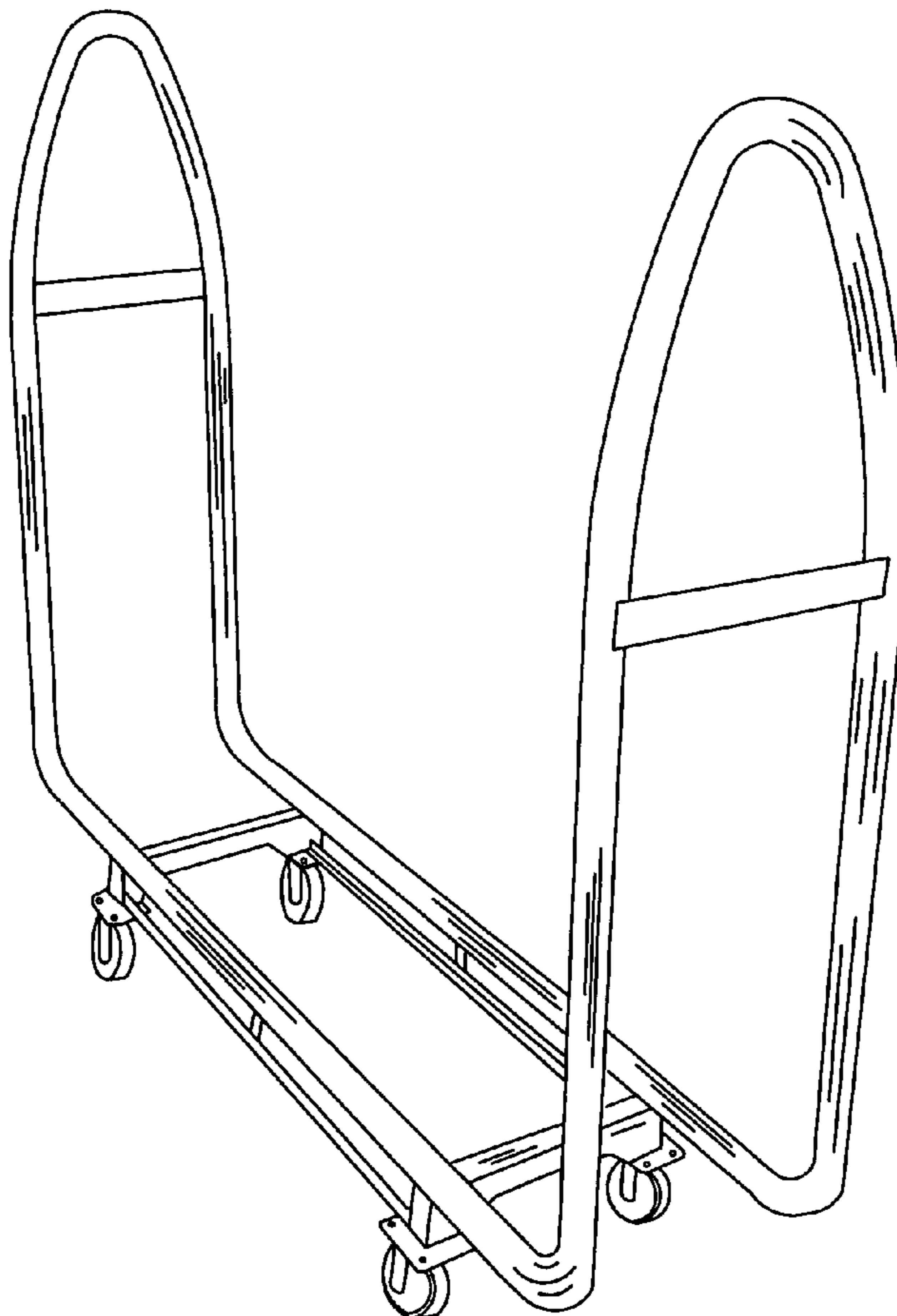
DESCRIPTION

FIG. 1 is a perspective view.

FIG. 2 is a side view; and,

FIG. 3 is an end view.

1 Claim, 3 Drawing Sheets



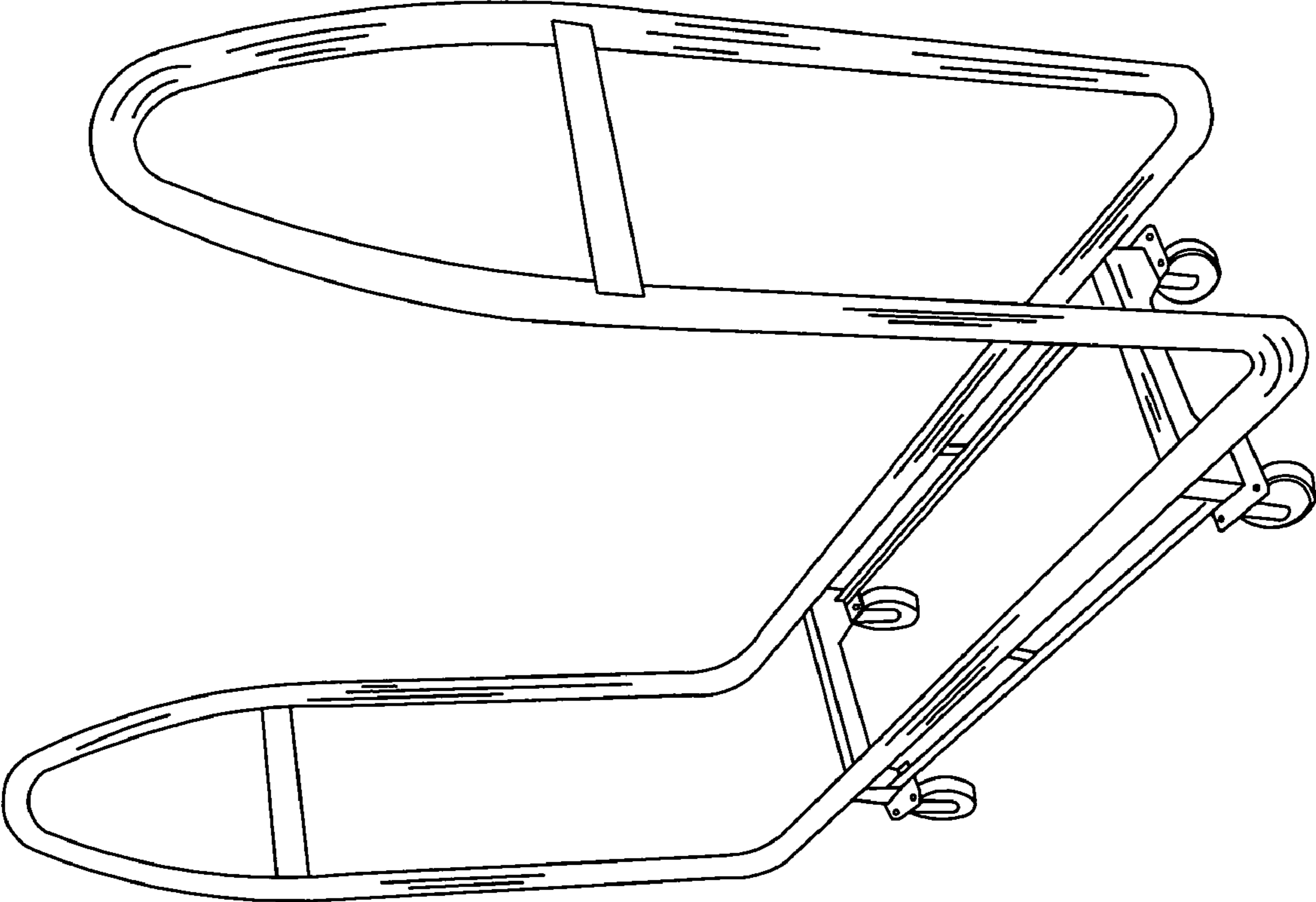


Fig 1

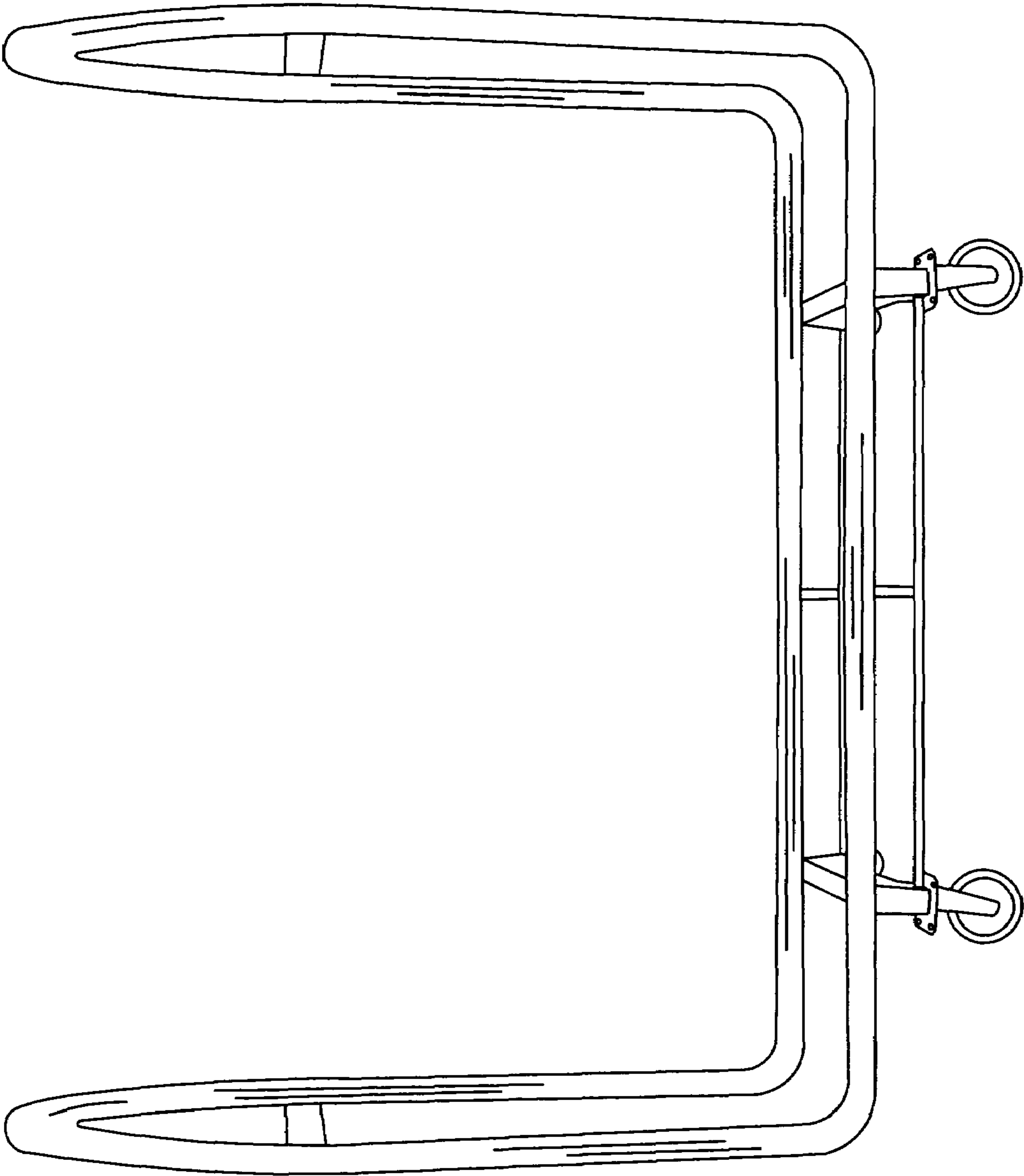


Fig 2

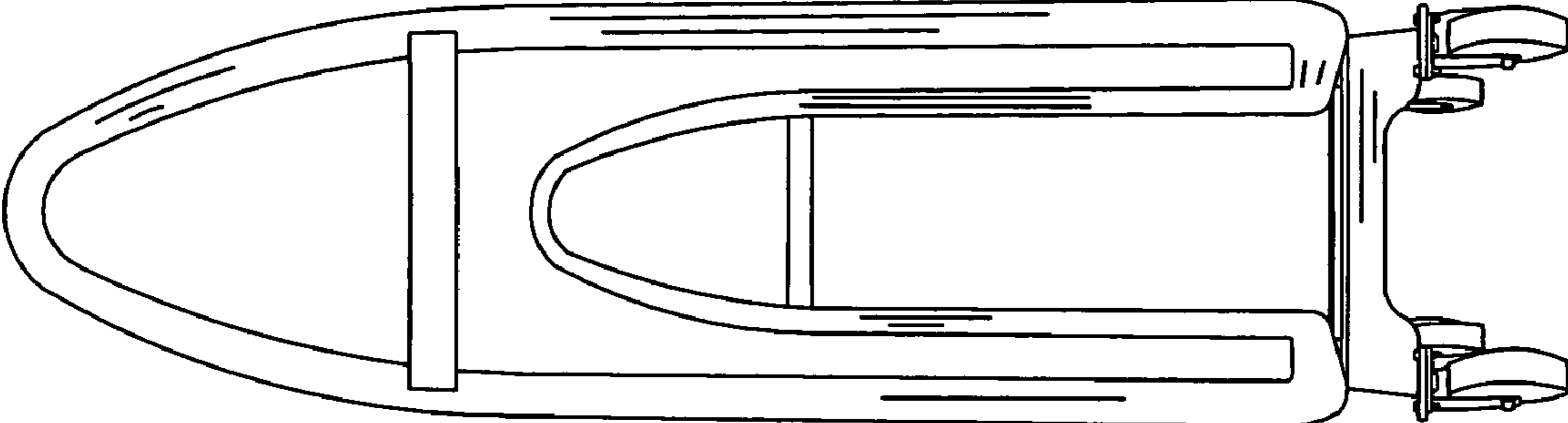


Fig 3