



US00D587490S

(12) **United States Design Patent**  
**Siegel**

(10) **Patent No.:** **US D587,490 S**  
(45) **Date of Patent:** **\*\* Mar. 3, 2009**

- (54) **SHOE RACK**
- (75) Inventor: **Ken Siegel**, Redondo Beach, CA (US)
- (73) Assignee: **Earle Industries, Inc.**, Earle, AR (US)
- (\*\*) Term: **14 Years**
- (21) Appl. No.: **29/304,899**
- (22) Filed: **Mar. 10, 2008**
- (51) **LOC (9) Cl.** ..... **06-04**
- (52) **U.S. Cl.** ..... **D6/459; D6/411**
- (58) **Field of Classification Search** ..... D6/411,  
D6/465, 407, 396, 410, 462, 464, 546, 548,  
D6/629, 630; 211/34, 36, 37, 85.31, 133.2,  
211/133.5, 181.1, 187; 108/107, 181; D34/21  
See application file for complete search history.

- D407,908 S 4/1999 Dickinson et al.
- D416,146 S 11/1999 Dickinson et al.
- D421,531 S 3/2000 Haas
- D422,794 S 4/2000 Licari
- D424,320 S \* 5/2000 Klein et al. .... D6/411
- D426,726 S 6/2000 Fenwick, Jr.
- 6,116,436 A \* 9/2000 Ferrucci et al. .... 211/187
- D457,353 S 5/2002 Klein et al.
- D458,772 S 6/2002 Klein et al.
- D461,333 S 8/2002 Malik
- D463,182 S 9/2002 Klein et al.
- D470,338 S 2/2003 Licari
- D473,733 S 4/2003 Malik
- D475,554 S \* 6/2003 Ming-Shiue ..... D6/449
- D476,167 S \* 6/2003 Klein et al. .... D6/411
- 6,581,786 B1 6/2003 King et al.
- D481,560 S 11/2003 Vidmar et al.
- D485,092 S \* 1/2004 Rosen ..... D6/465
- 6,695,156 B1 \* 2/2004 Wang ..... 211/187
- D488,003 S 4/2004 Malik
- D493,289 S 7/2004 Klein et al.
- 6,786,337 B2 9/2004 Klein et al.

(56) **References Cited**

U.S. PATENT DOCUMENTS

- 2,913,128 A \* 11/1959 Milner ..... 108/181
- D209,490 S \* 12/1967 Baxter ..... D34/21
- 3,974,917 A 8/1976 Waxmanski
- D264,157 S \* 5/1982 Karsikas ..... D6/465
- D276,089 S \* 10/1984 Hutchins ..... D34/21
- 4,593,826 A \* 6/1986 Bustos ..... 211/187
- 4,637,323 A \* 1/1987 Nicely ..... 108/107
- D292,764 S \* 11/1987 Kester ..... D6/465
- 4,896,778 A 1/1990 Ferdinand et al.
- D325,133 S \* 4/1992 Stravitz ..... D6/407
- 5,172,816 A 12/1992 Kline et al.
- D341,500 S \* 11/1993 Klein et al. .... D6/411
- D367,382 S 2/1996 Tseng
- D377,728 S 2/1997 Klein et al.
- 5,617,959 A 4/1997 Klein et al.
- D381,225 S 7/1997 Malik
- D382,434 S 8/1997 Klein et al.
- D384,224 S 9/1997 Dickinson et al.
- 5,695,073 A 12/1997 Klein et al.
- D392,817 S 3/1998 Lee
- D398,787 S \* 9/1998 Malik ..... D6/411
- D403,880 S \* 1/1999 Malik ..... D6/411
- 5,855,279 A 1/1999 Klein et al.
- D405,627 S \* 2/1999 Salvucci ..... D6/465

(Continued)

*Primary Examiner*—Janice E Seeger  
*Assistant Examiner*—Sydney R Buffalow  
 (74) *Attorney, Agent, or Firm*—H. Frederick Rusche; Husch  
 Blackwell Sanders LLP

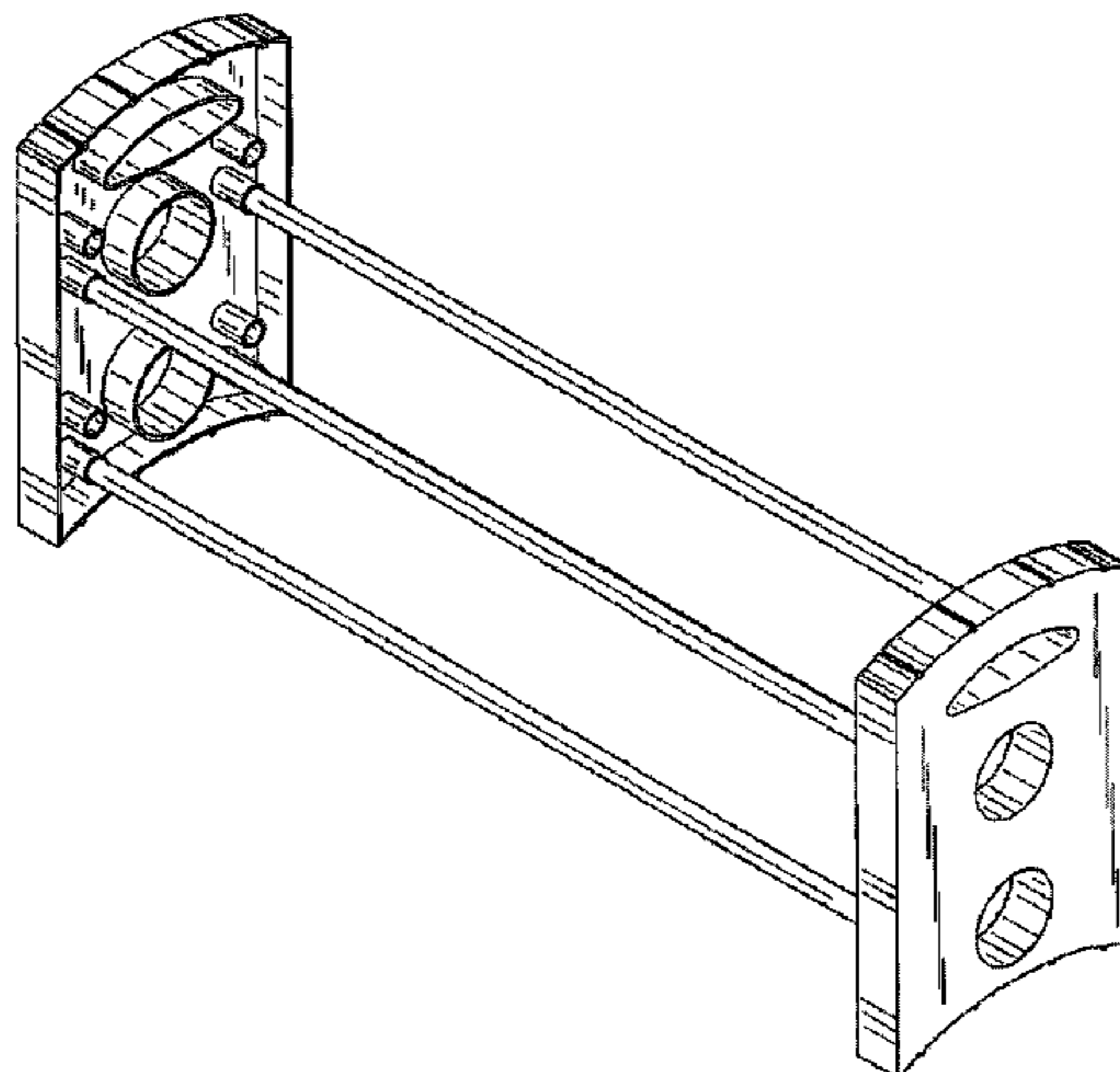
(57) **CLAIM**

I claim the ornamental design for a shoe rack, as shown and described.

**DESCRIPTION**

FIG. 1 is a perspective view of a shoe rack showing my new design;  
 FIG. 2 is a front view thereof, the back view being identical;  
 FIG. 3 is a left side view thereof, the right side view being identical;  
 FIG. 4 is a top view thereof; and,  
 FIG. 5 is a bottom view thereof.

**1 Claim, 2 Drawing Sheets**



# US D587,490 S

Page 2

---

## U.S. PATENT DOCUMENTS

D507,137 S	7/2005	Klein et al.		D542,058 S *	5/2007	Clucas	.....	D6/465
D525,051 S *	7/2006	Kuelbs et al.	.....	D543,727 S	6/2007	Thaler		
D525,062 S	7/2006	Abdi et al.		7,249,679 B2	7/2007	Klein		
D530,540 S	10/2006	Stravitz		7,293,662 B2	11/2007	Klein et al.		
RE39,638 E	5/2007	Klein et al.						

\* cited by examiner

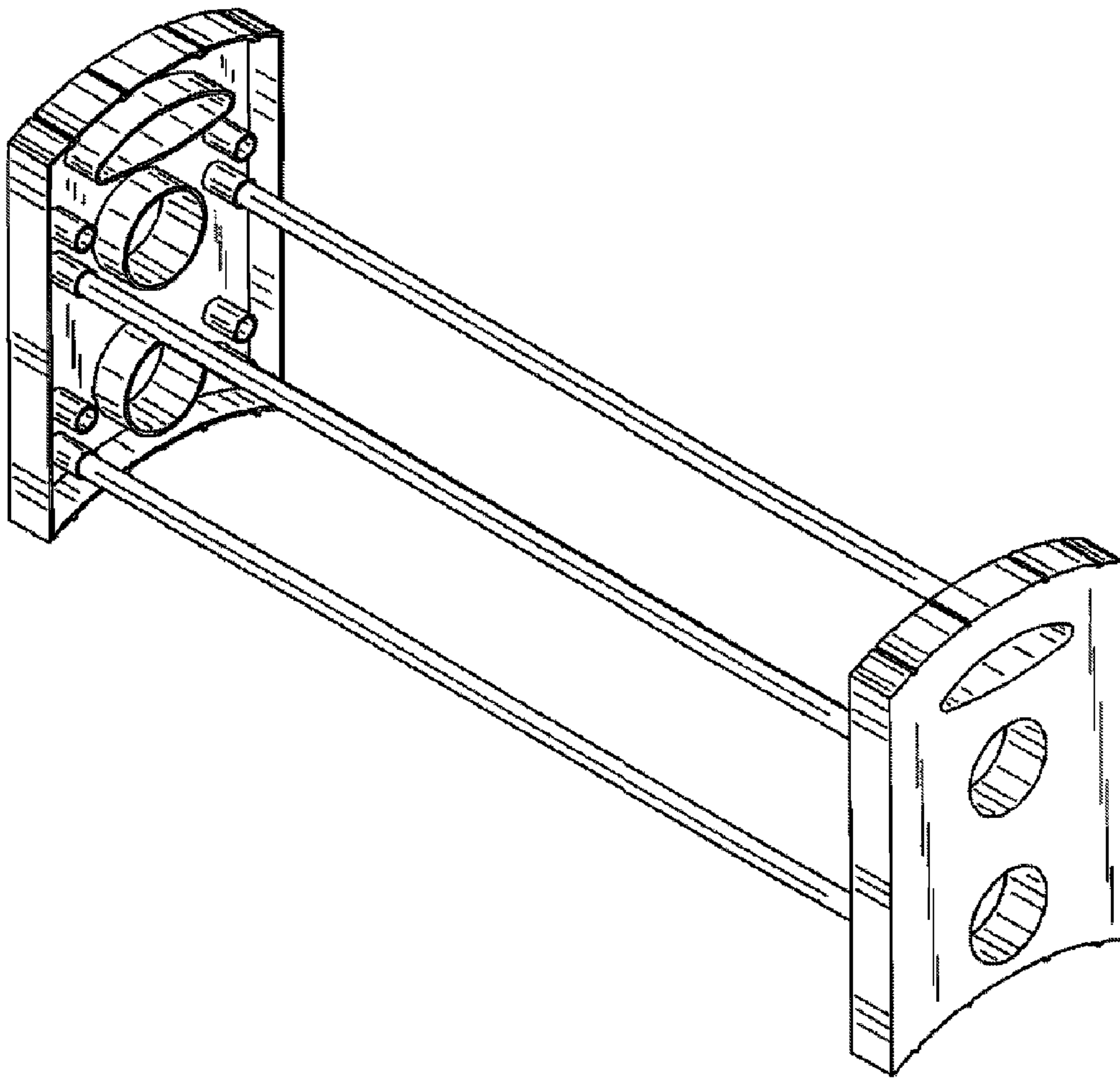


FIG. 1

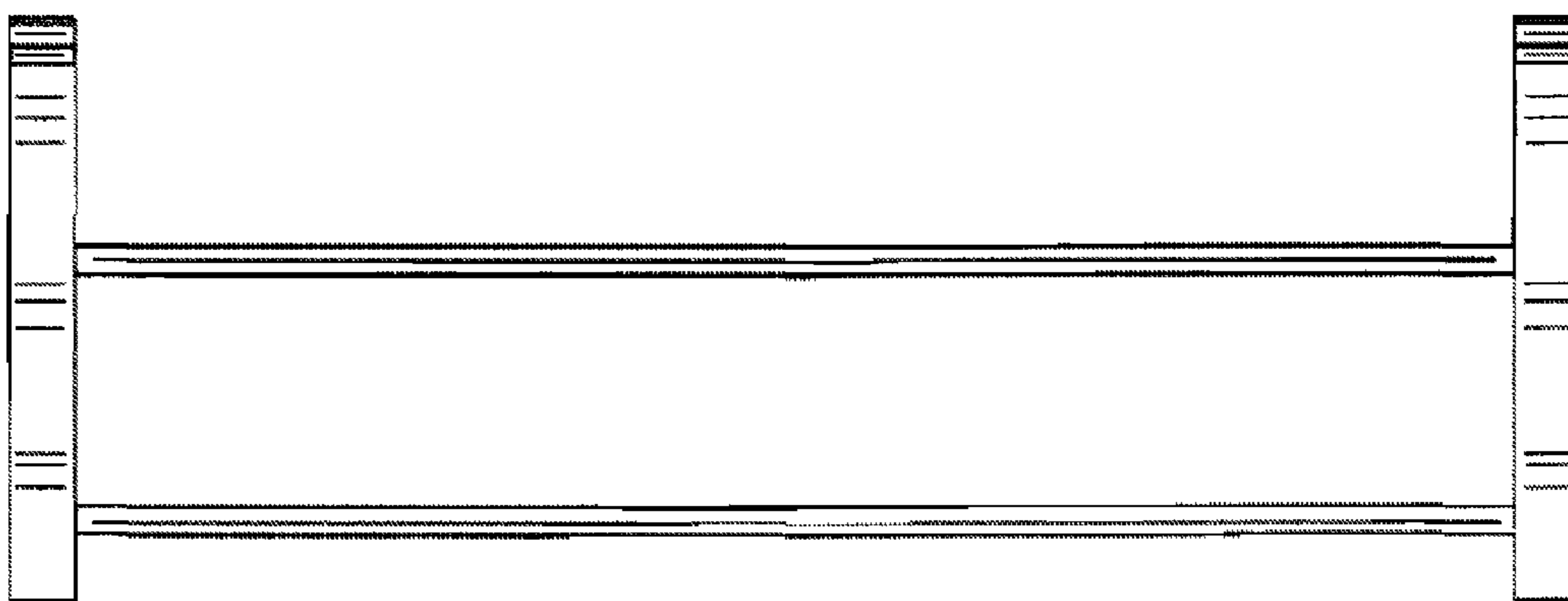


FIG. 2

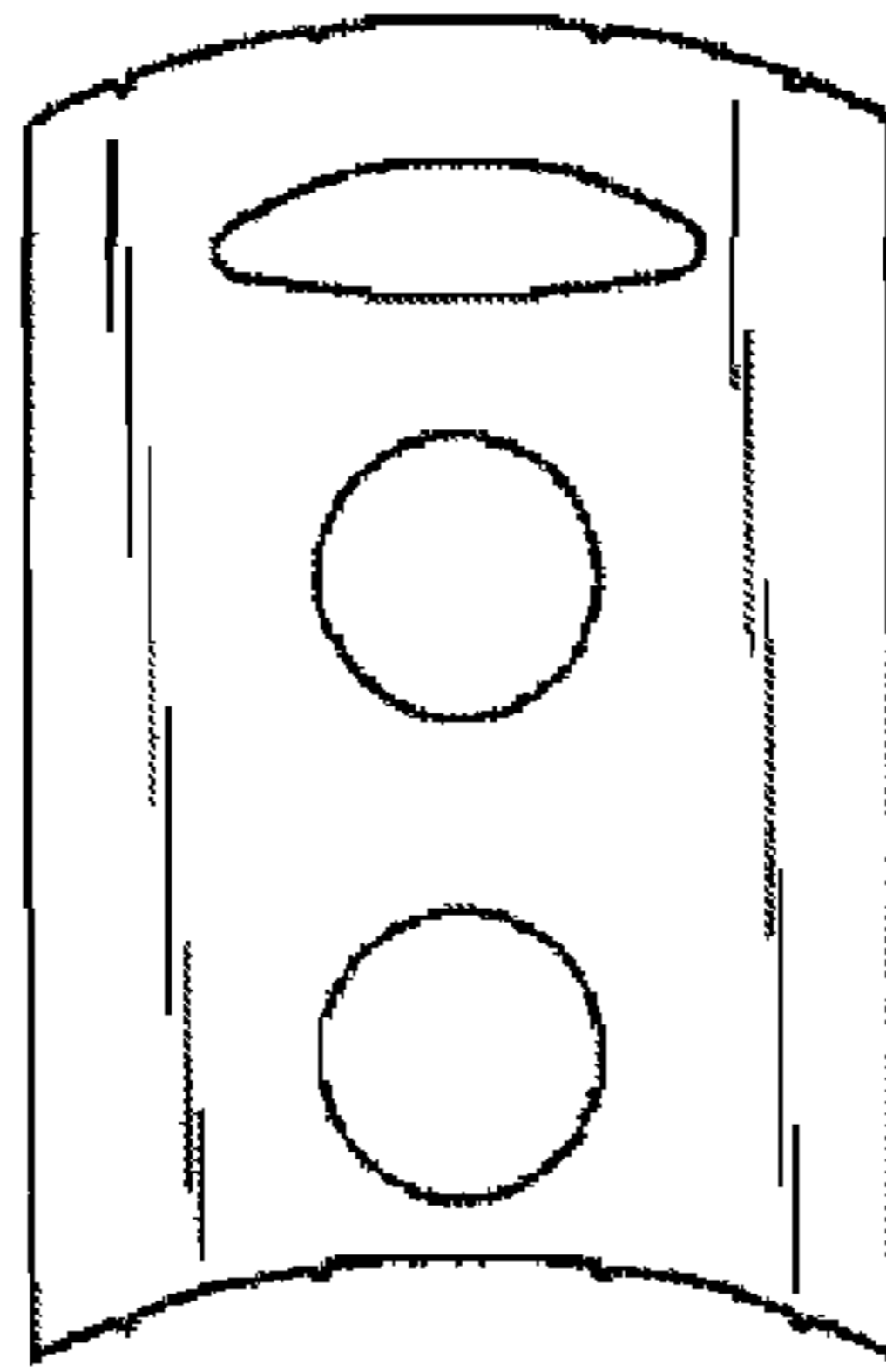


FIG. 3

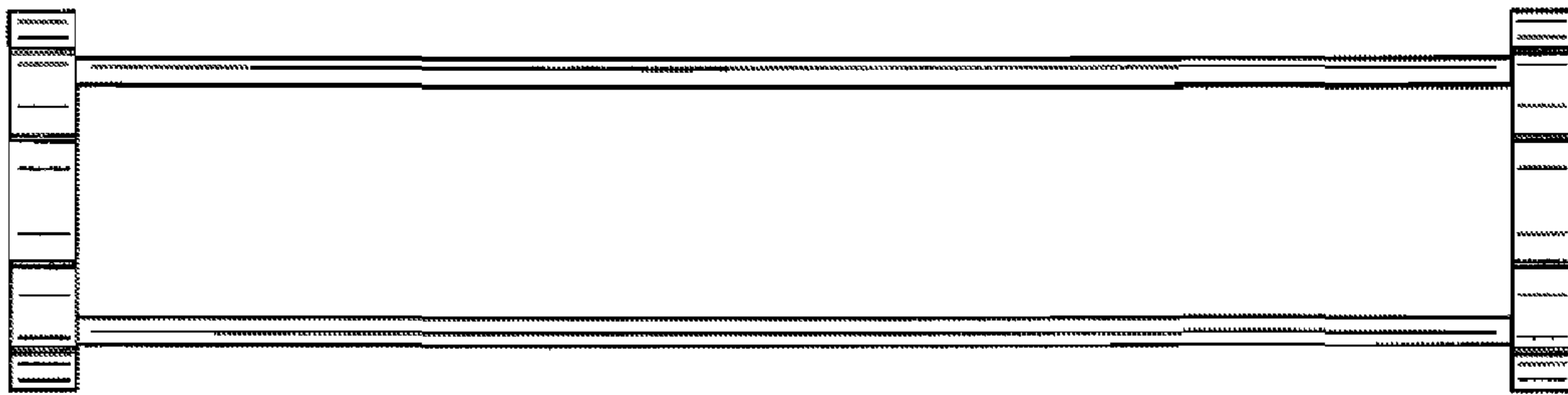


FIG. 4

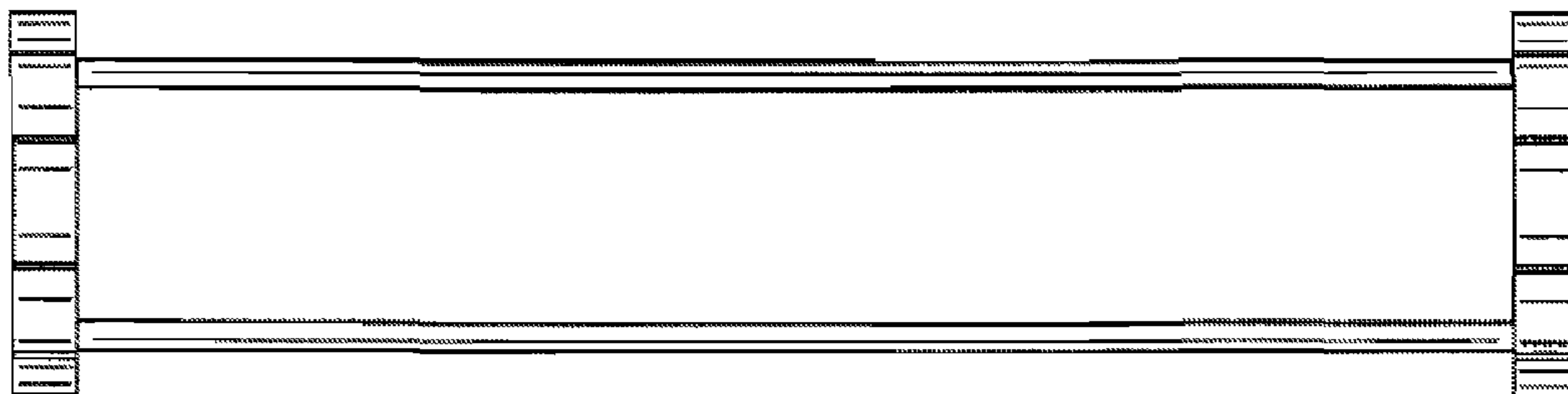


FIG. 5