



US00D587482S

(12) **United States Design Patent**
Chong

(10) **Patent No.:** **US D587,482 S**
(45) **Date of Patent:** **** Mar. 3, 2009**

(54) **CD RACK**

D502,836 S * 3/2005 Chan D6/634
D566,427 S * 4/2008 McConnell et al. D6/475

(75) Inventor: **Yat Kam Chong**, Kowloon (HK)

* cited by examiner

(73) Assignee: **CY Design Studio Limited**, Kowloon (HK)

Primary Examiner—Elizabeth A Albert
Assistant Examiner—Kelley A Donnelly

(**) Term: **14 Years**

(74) *Attorney, Agent, or Firm*—Intellectual Property Law Group LLP; Otto O. Lee; Juneko Jackson

(21) Appl. No.: **29/303,324**

(57) **CLAIM**

(22) Filed: **Feb. 6, 2008**

The ornamental design for a CD rack, as shown and described.

(51) **LOC (9) Cl.** **06-04**

(52) **U.S. Cl.** **D6/407**

(58) **Field of Classification Search** D6/407,
D6/462, 626–630, 463–468, 450, 457, 473–476;
312/9.1; D19/75, 86; D32/55, 58; 211/40,
211/41.1, 41.2, 41.3, 41.4, 42
See application file for complete search history.

DESCRIPTION

FIG. 1 is a top perspective view of a CD rack embodying my new design;

FIG. 2 is a front elevational view thereof, the rear elevational view being a mirror image thereof;

FIG. 3 is a left side elevational view thereof, the right side elevational view being a mirror image thereof;

FIG. 4 is a top plan view thereof; and,

FIG. 5 is a bottom plan view thereof.

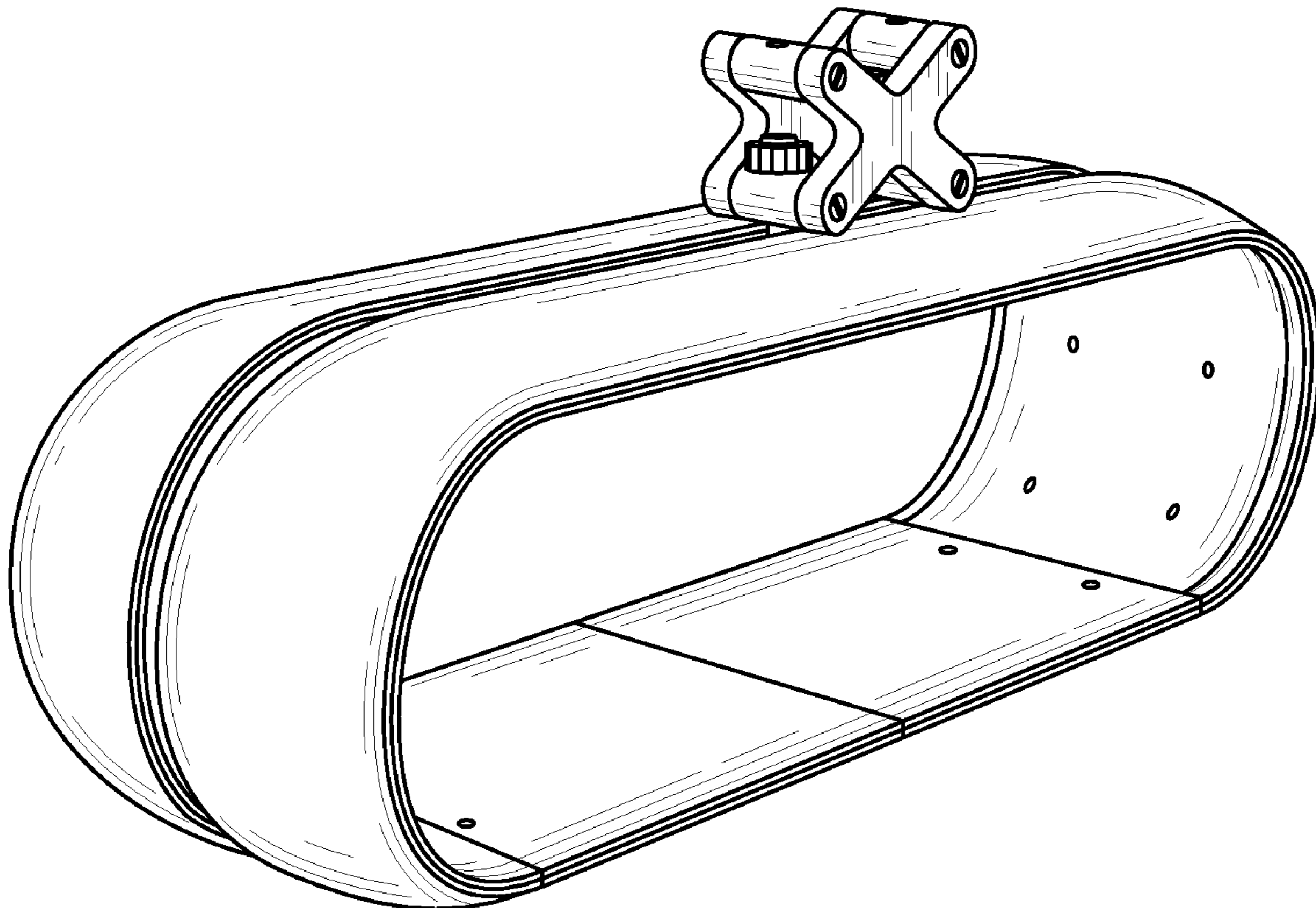
The broken lines are for environmental purposes only and form no part of the claimed design.

(56) **References Cited**

U.S. PATENT DOCUMENTS

D260,457 S * 9/1981 Rumble D6/629
4,660,727 A * 4/1987 Levine 211/74
D334,815 S * 4/1993 Bungler D25/113
D428,277 S * 7/2000 White D6/407
D450,199 S * 11/2001 White D6/407
D482,871 S * 12/2003 Fonfeder D3/321

1 Claim, 3 Drawing Sheets



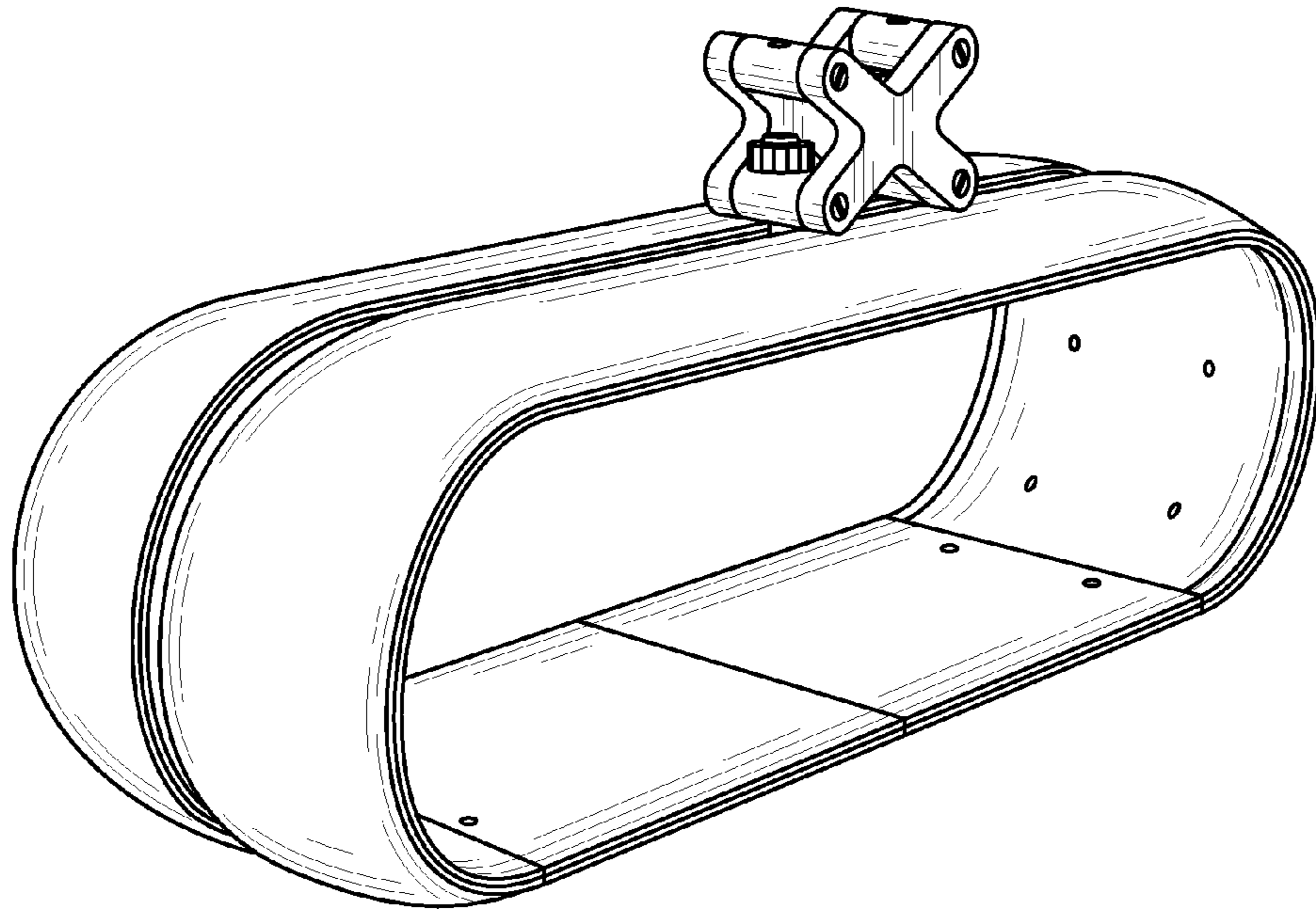


FIG. 1

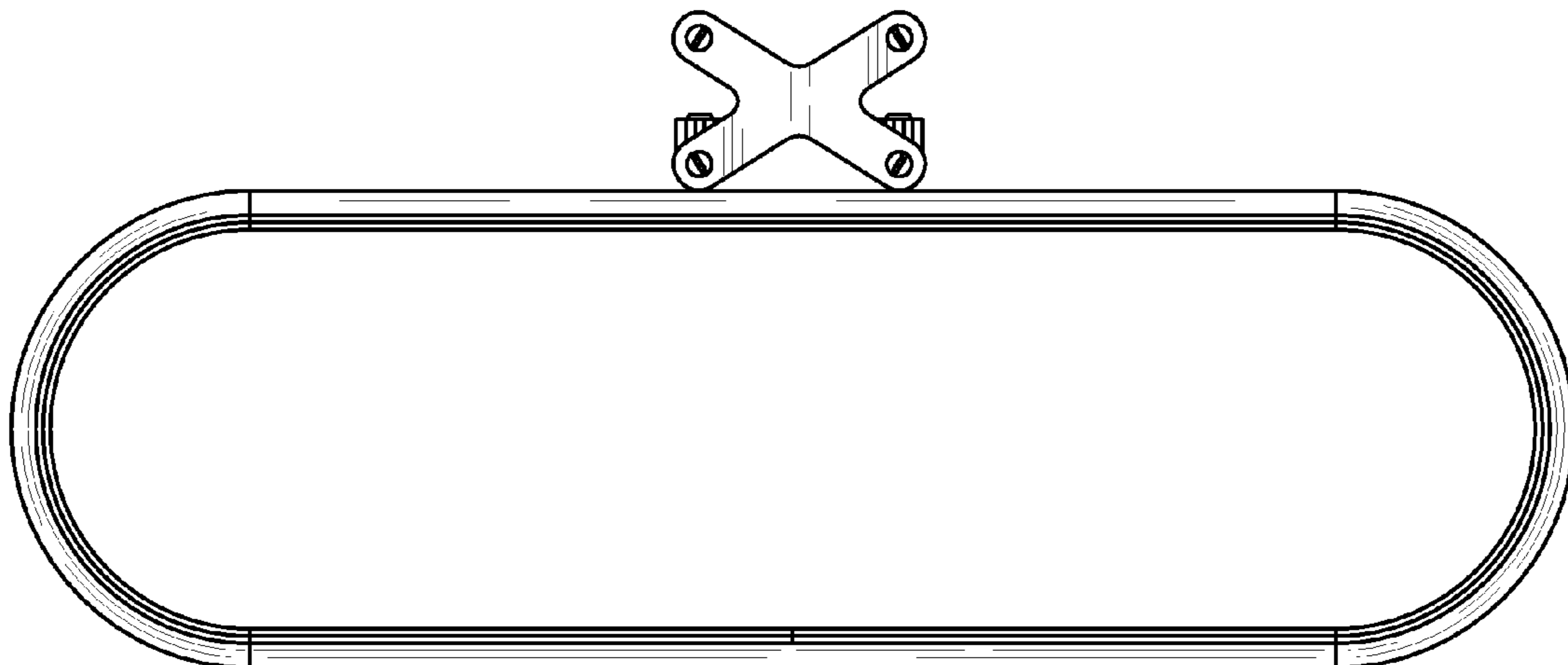


FIG. 2

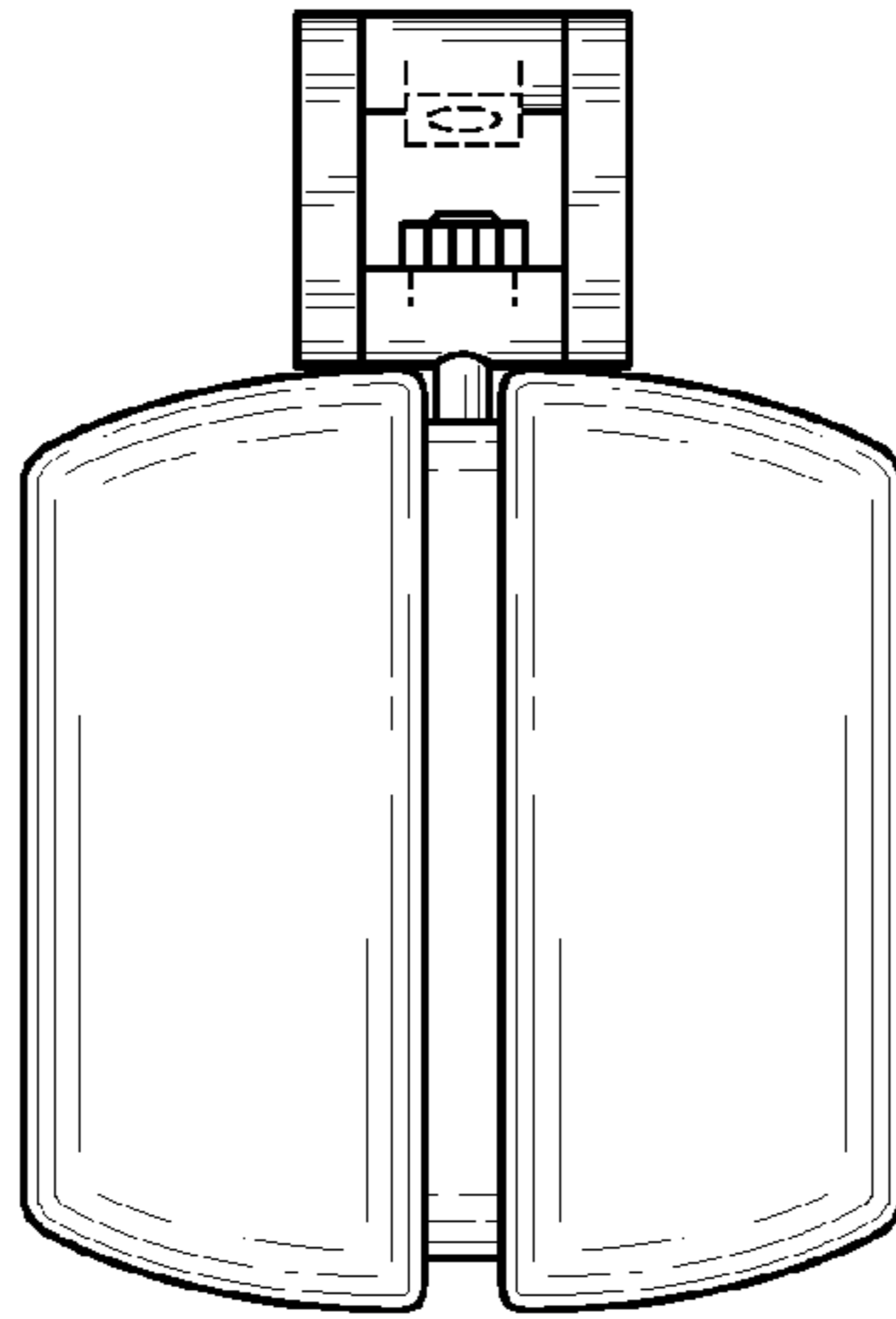


FIG. 3

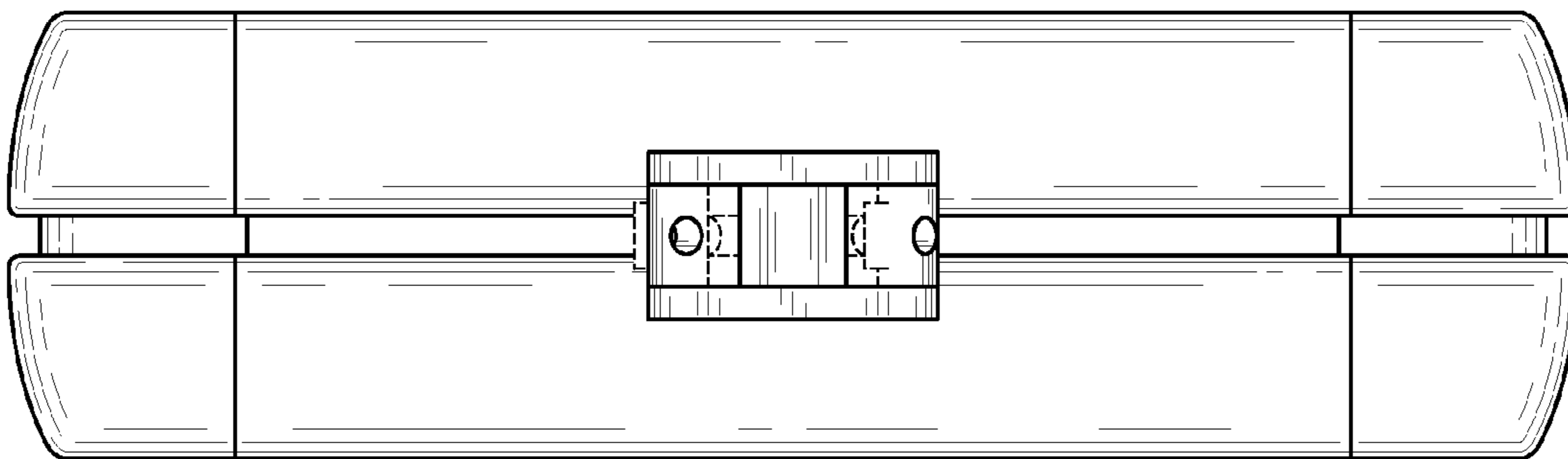


FIG. 4

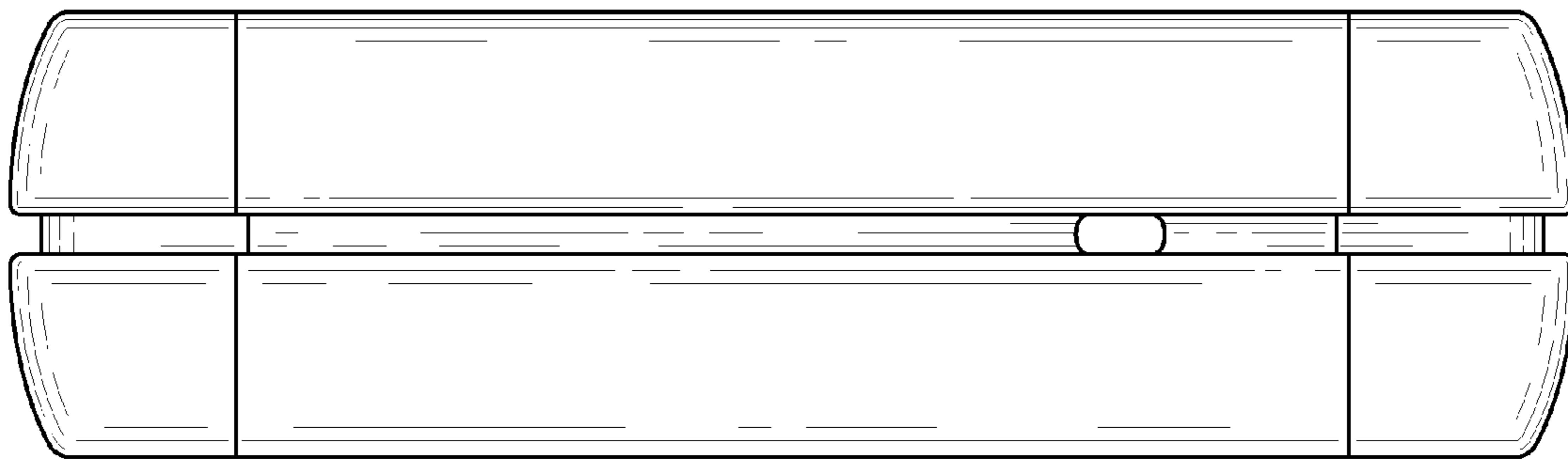


FIG. 5