



US00D587480S

(12) **United States Design Patent**
Ciocchini

(10) **Patent No.:** **US D587,480 S**
(45) **Date of Patent:** **** Mar. 3, 2009**

(54) **TABLE FOR FOLDING CHAIR**

(75) Inventor: **Ignacio Juan Ciocchini**, Astoria, NY
(US)

(73) Assignee: **Bryant Park Restoration Corporation**,
New York, NY (US)

(**) Term: **14 Years**

(21) Appl. No.: **29/233,153**

(22) Filed: **Jun. 28, 2005**

(51) **LOC (9) Cl.** **06-06**

(52) **U.S. Cl.** **D6/406.2**

(58) **Field of Classification Search** D6/406.1,
D6/406.2, 406.3, 406.4, 418, 429-430, 511,
D6/513, 574, 368, 335-336, 338-339, 500-502;
D7/552.1, 550.1, 553.2, 553.4; 297/160,
297/161, 256.15, 162, 170, 173, 144, 145;
206/562, 564, 565

See application file for complete search history.

(56) **References Cited**

U.S. PATENT DOCUMENTS

- D57,369 S * 3/1921 Moore D6/336
- 1,452,343 A * 4/1923 Jones 297/161
- 1,736,135 A * 11/1929 Schiefer et al. 297/161
- D104,500 S * 5/1937 Moore D6/511
- D161,809 S * 1/1951 Willis et al. D6/341

- D164,099 S * 7/1951 Choate D6/336
- D181,703 S * 12/1957 Bargaen D6/341
- D190,030 S * 4/1961 Beardmore D6/338
- D195,725 S * 7/1963 Chapman et al. D6/341
- D207,587 S * 5/1967 Durfee et al. D6/341
- D377,275 S * 1/1997 Diletto D6/418
- D477,921 S * 8/2003 Bosman et al. D6/338
- D542,039 S * 5/2007 Glass et al. D6/335

* cited by examiner

Primary Examiner—Caron Veynar

Assistant Examiner—Abraham Bahta

(74) *Attorney, Agent, or Firm*—Stroock & Stroock & Lavan
LLP

(57) **CLAIM**

The ornamental design for a table for folding chair, as shown
and described.

DESCRIPTION

FIG. 1 is a top, front and left side perspective view of the table
showing my new design;

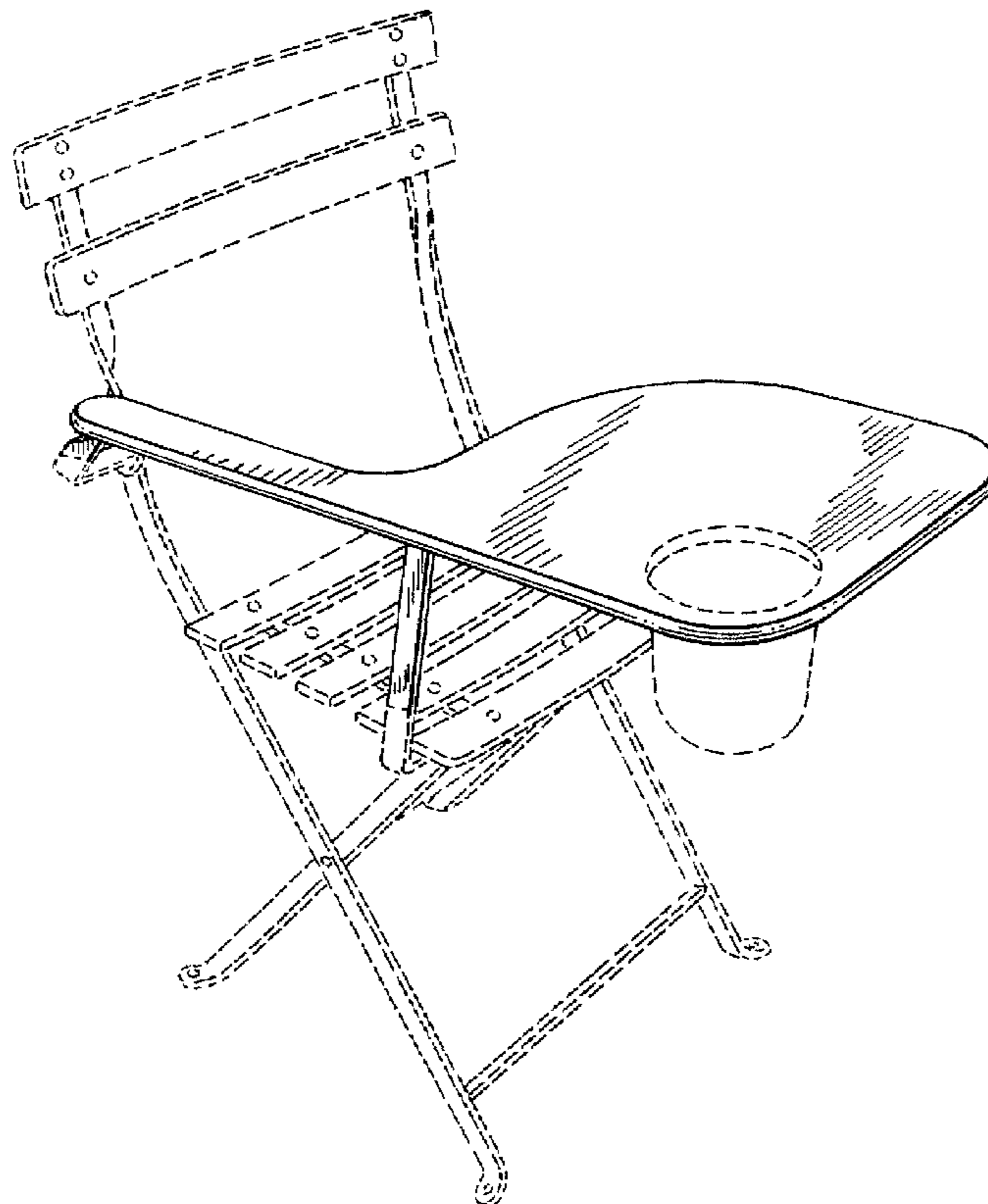
FIG. 2 is a top plan view thereof;

FIG. 3 is a front elevational view thereof; and,

FIG. 4 is a left side elevational view thereof.

The chair and portions of the table supporting brackets are
shown in broken lines for illustrative purposes only and form
no part of the claimed design.

1 Claim, 3 Drawing Sheets



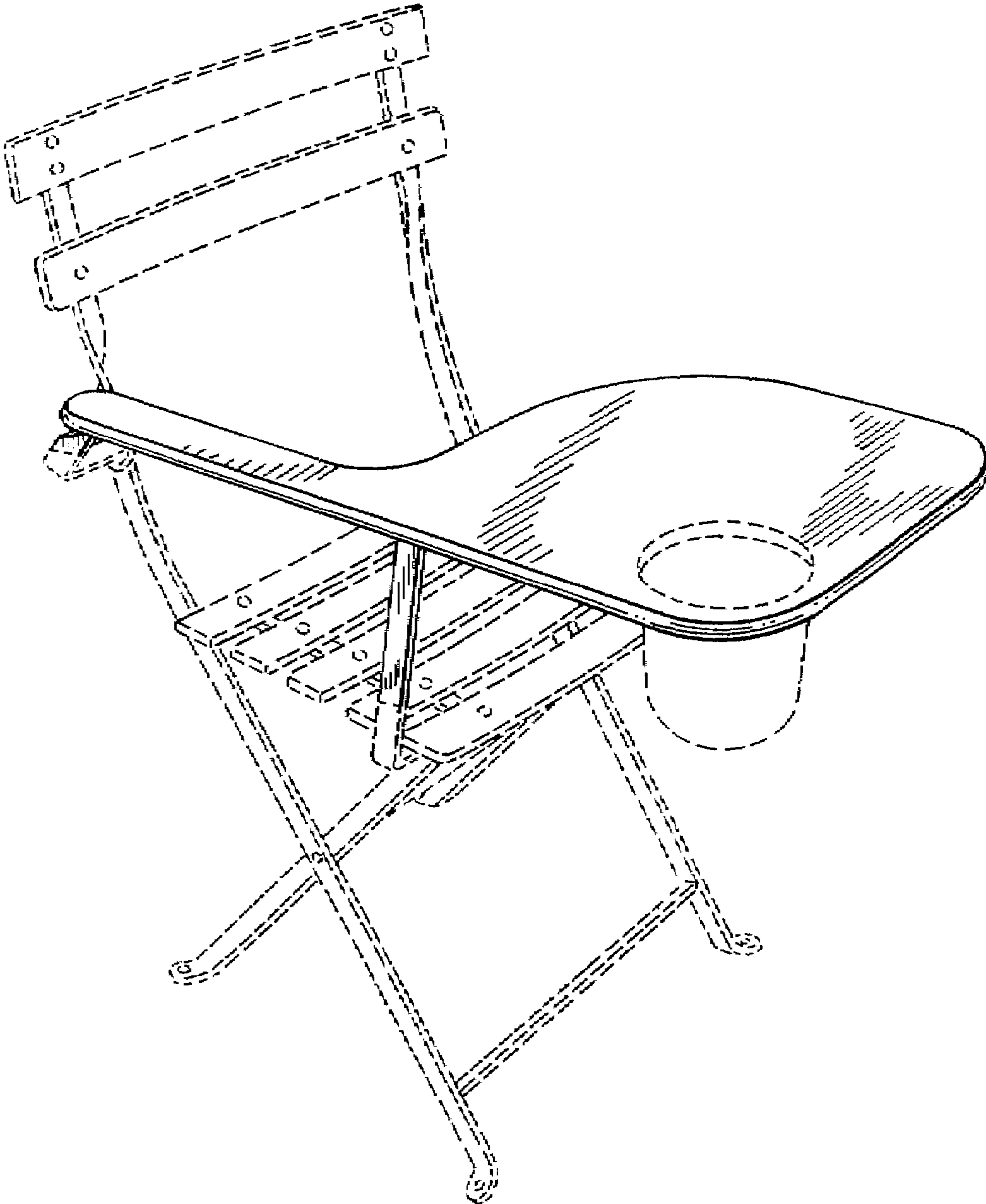


FIG. 1

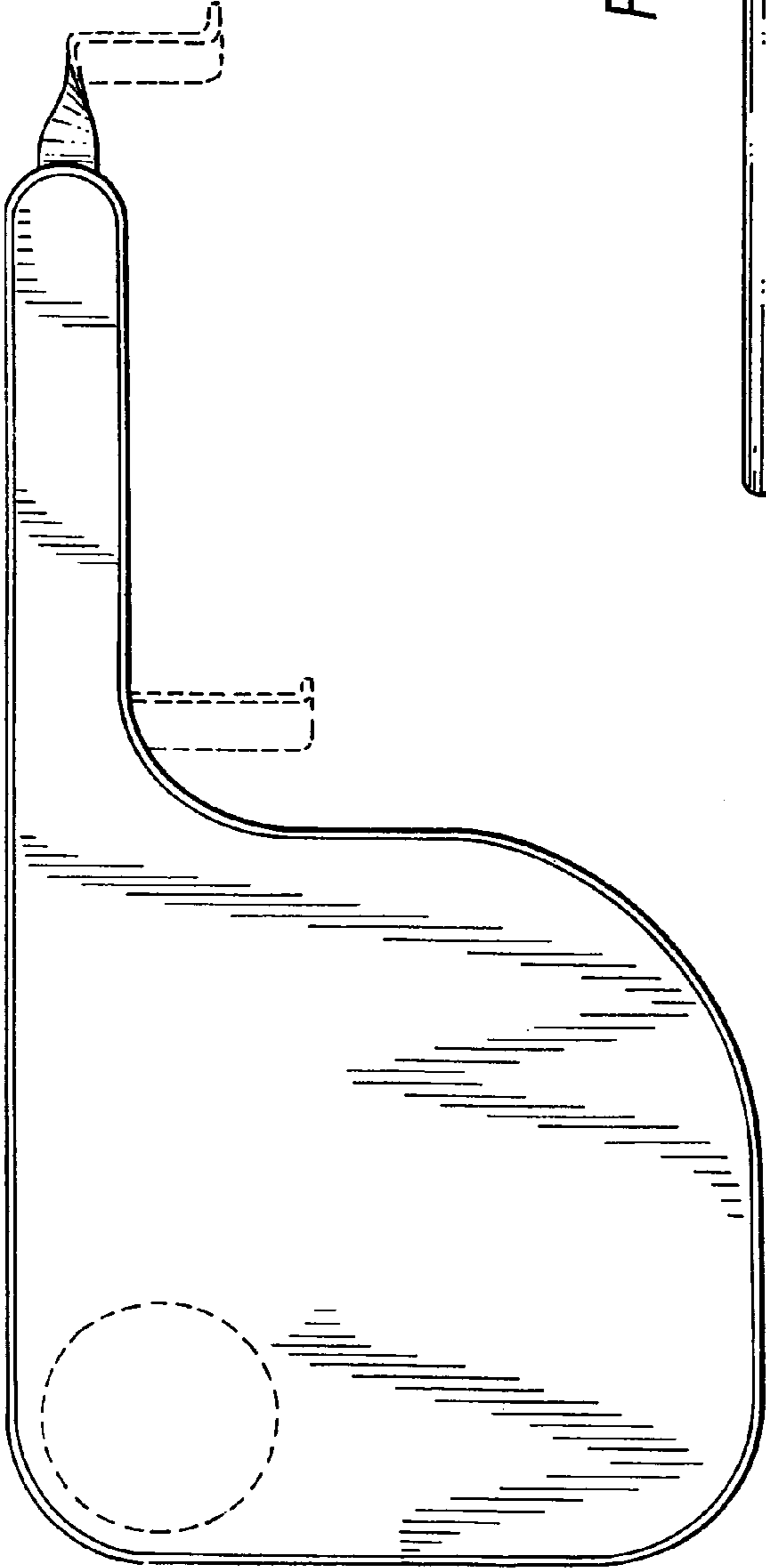


FIG. 3

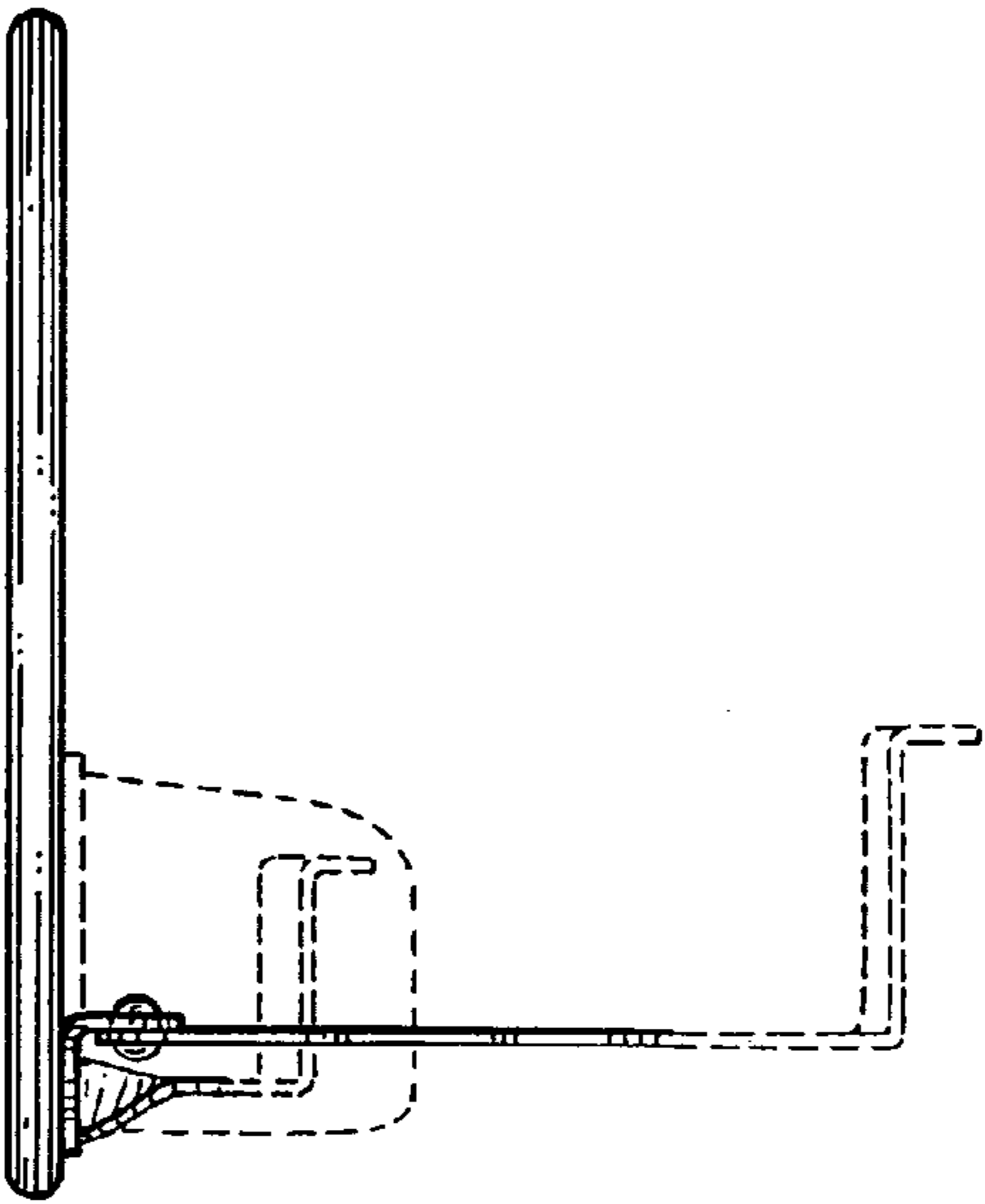


FIG. 2

FIG. 4

