



US00D587477S

(12) **United States Design Patent**
Neil

(10) **Patent No.:** **US D587,477 S**
(45) **Date of Patent:** **** Mar. 3, 2009**

(54) **CHAIR**

(75) Inventor: **Gary Neil, Mississauga (CA)**

(73) Assignee: **Allseating Corporation, Mississauga (CA)**

(**) Term: **14 Years**

(21) Appl. No.: **29/274,754**

(22) Filed: **May 21, 2007**

(51) **LOC (9) Cl.** **06-01**

(52) **U.S. Cl.** **D6/379**

(58) **Field of Classification Search** D6/334-336,
D6/369, 370, 371-373, 374, 375, 376, 379,
D6/380, 499, 500-502; 297/239, 411.42,
297/411.43, 445.1, 446.1, 452.2, 452.29,
297/DIG. 2

See application file for complete search history.

(56) **References Cited**

U.S. PATENT DOCUMENTS

D312,005 S * 11/1990 Snodgrass D6/379
D385,425 S * 10/1997 Goetz D6/379
D446,037 S * 8/2001 Koepke et al. D6/379
D475,543 S * 6/2003 Savini D6/374

D477,471 S * 7/2003 Brooks D6/379
D520,256 S * 5/2006 King D6/374
D524,071 S * 7/2006 Brooks D6/379
D540,559 S * 4/2007 Neil D6/379
D563,111 S * 3/2008 Lievore D6/375

* cited by examiner

Primary Examiner—Mimosa De

(74) *Attorney, Agent, or Firm*—Miller Thomson LLP

(57) **CLAIM**

The ornamental design for the “chair,” as shown and described.

DESCRIPTION

FIG. 1 is a front perspective view of the chair.

FIG. 2 is a bottom perspective view of the chair.

FIG. 3 is a right side view of the chair.

FIG. 4 is a front view of the chair.

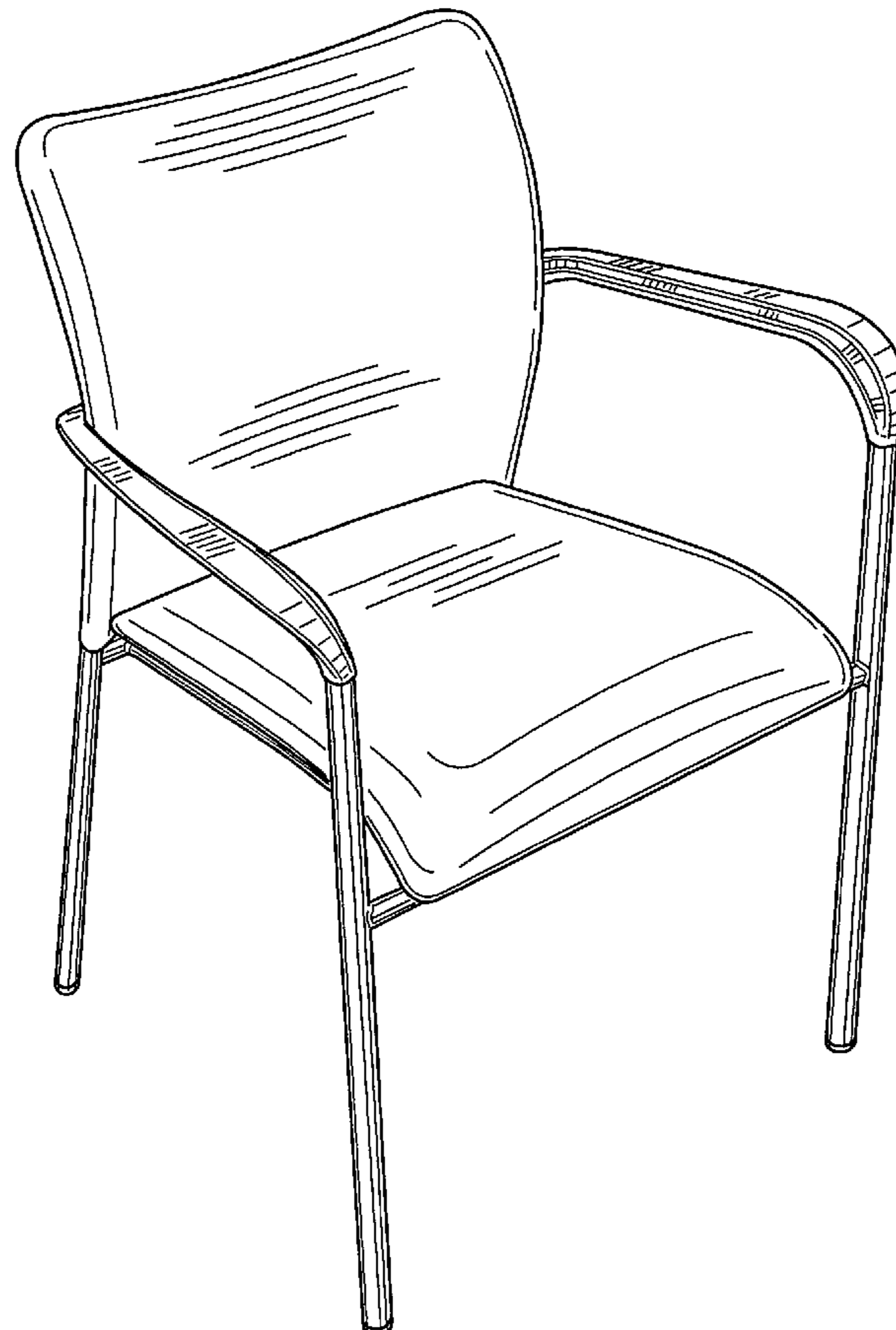
FIG. 5 is a left side view of the chair.

FIG. 6 is a back view of the chair.

FIG. 7 is a top view of the chair; and,

FIG. 8 is a bottom view of the chair.

1 Claim, 5 Drawing Sheets



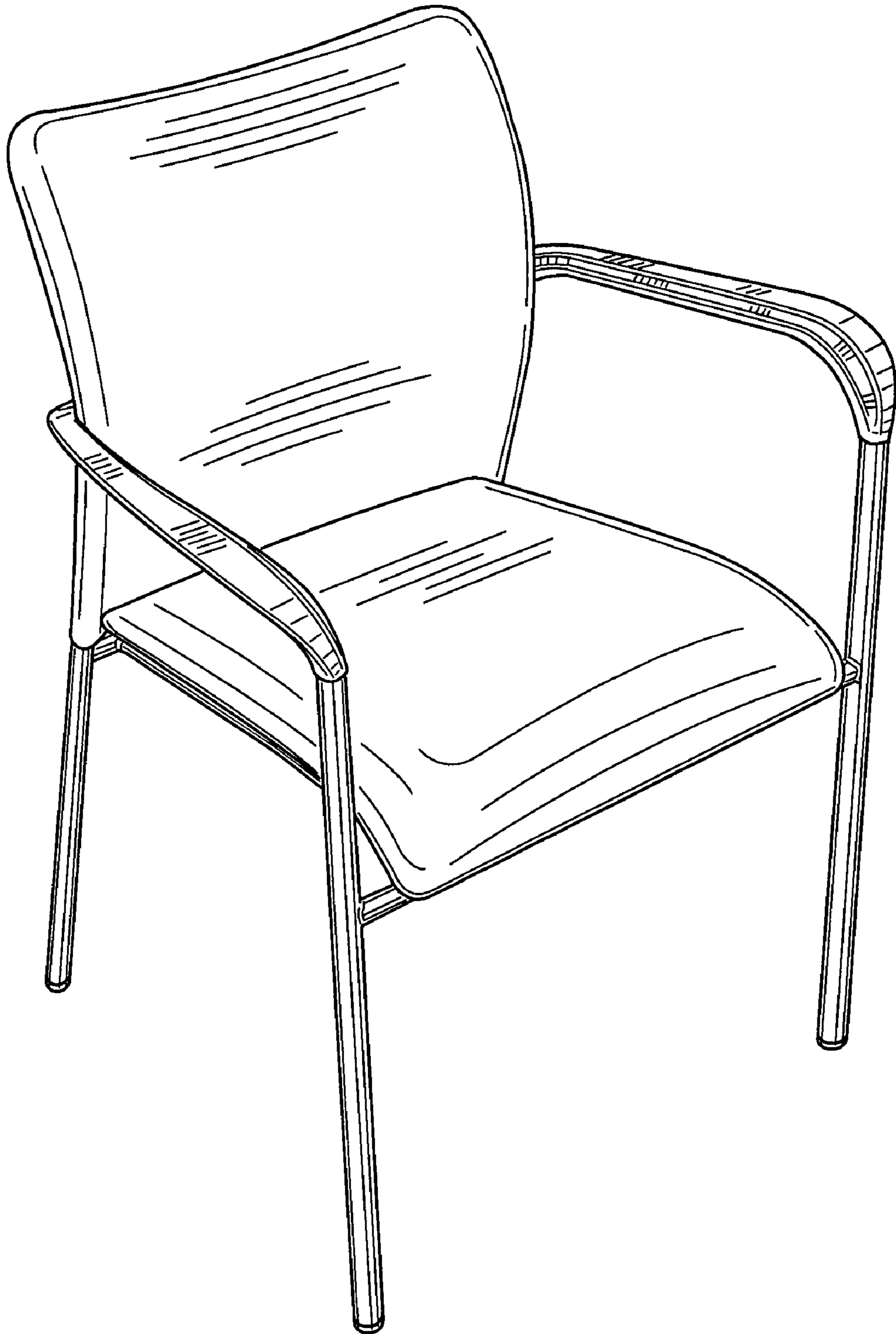


FIG. 1

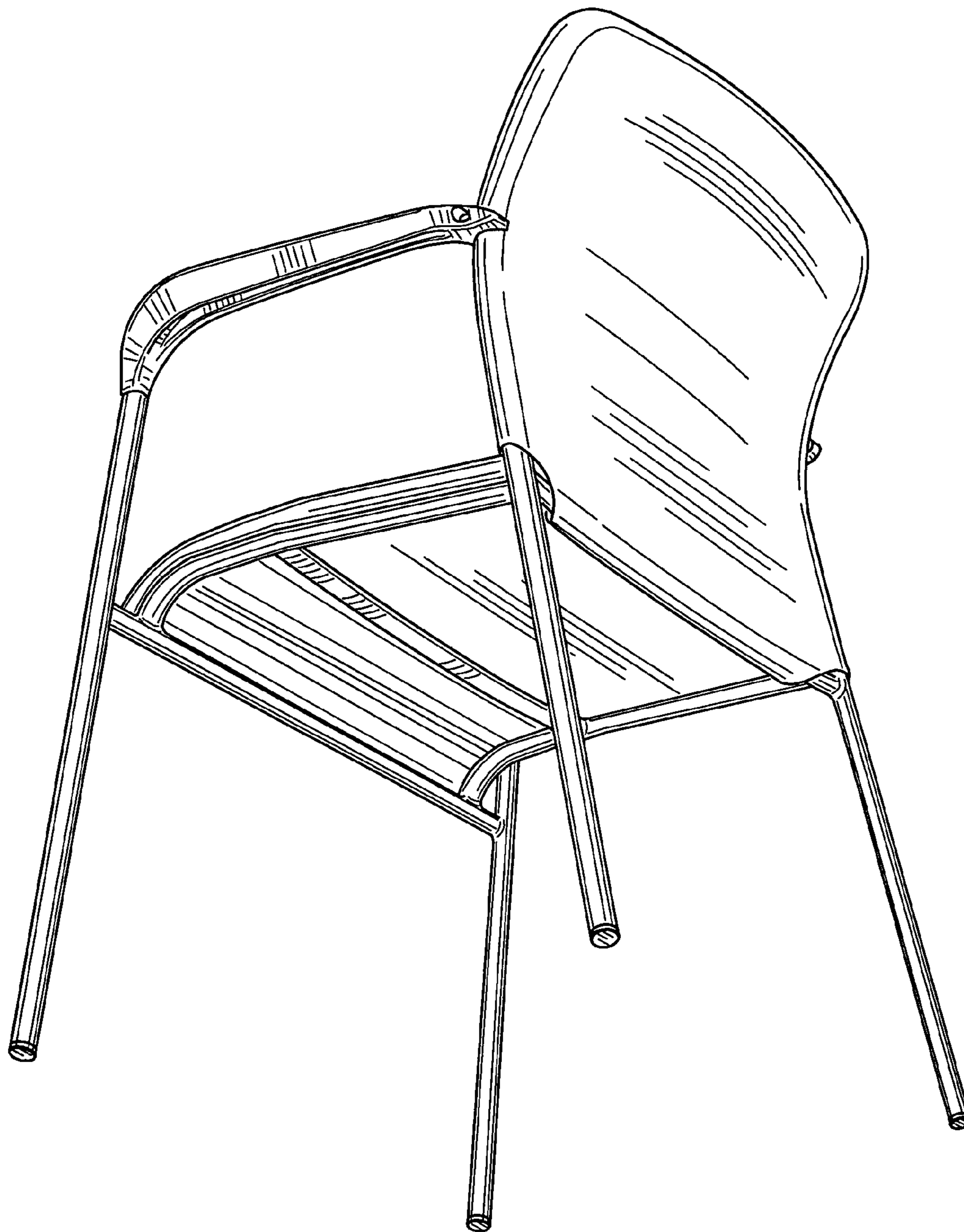


FIG. 2

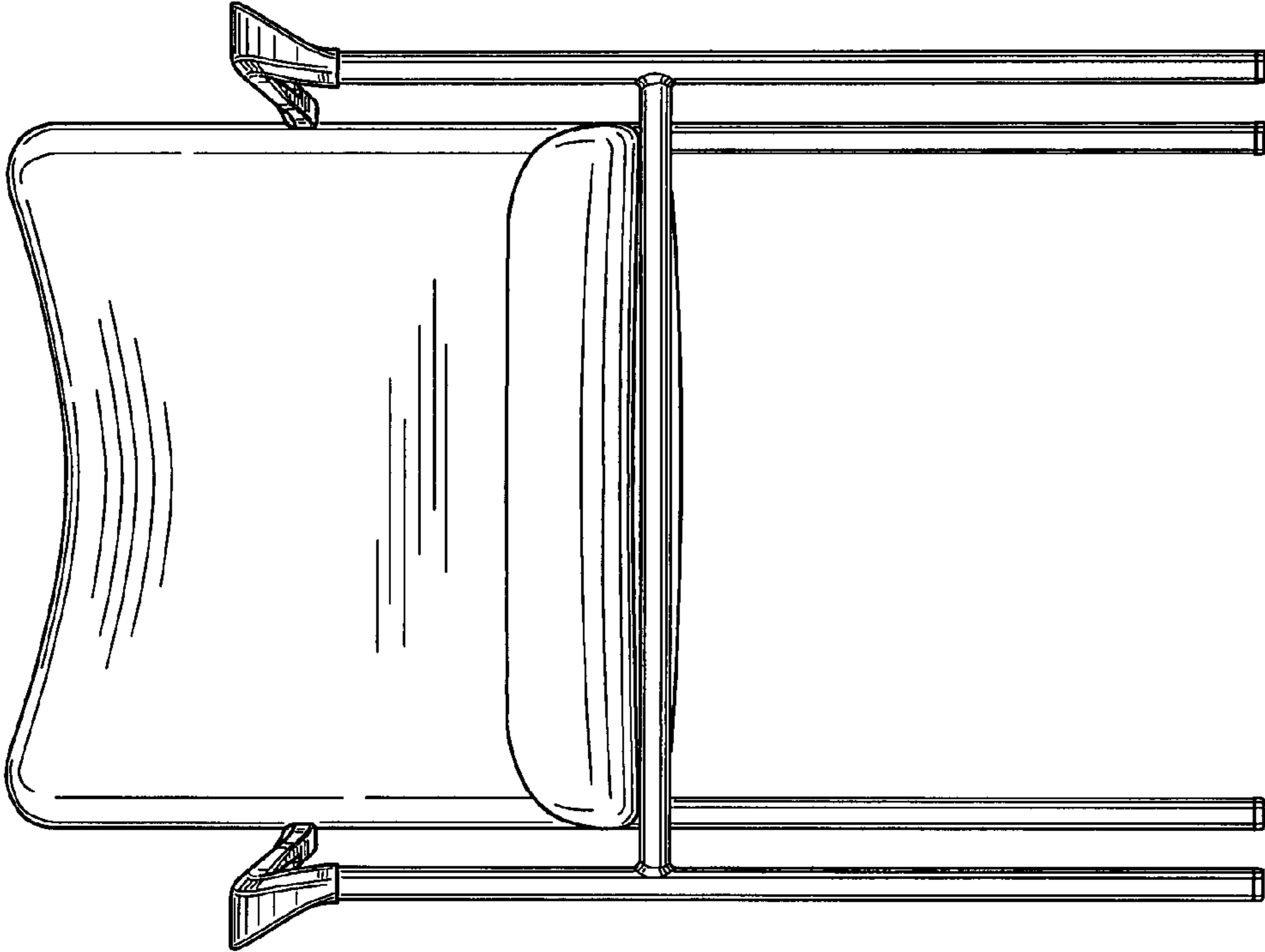


FIG. 4

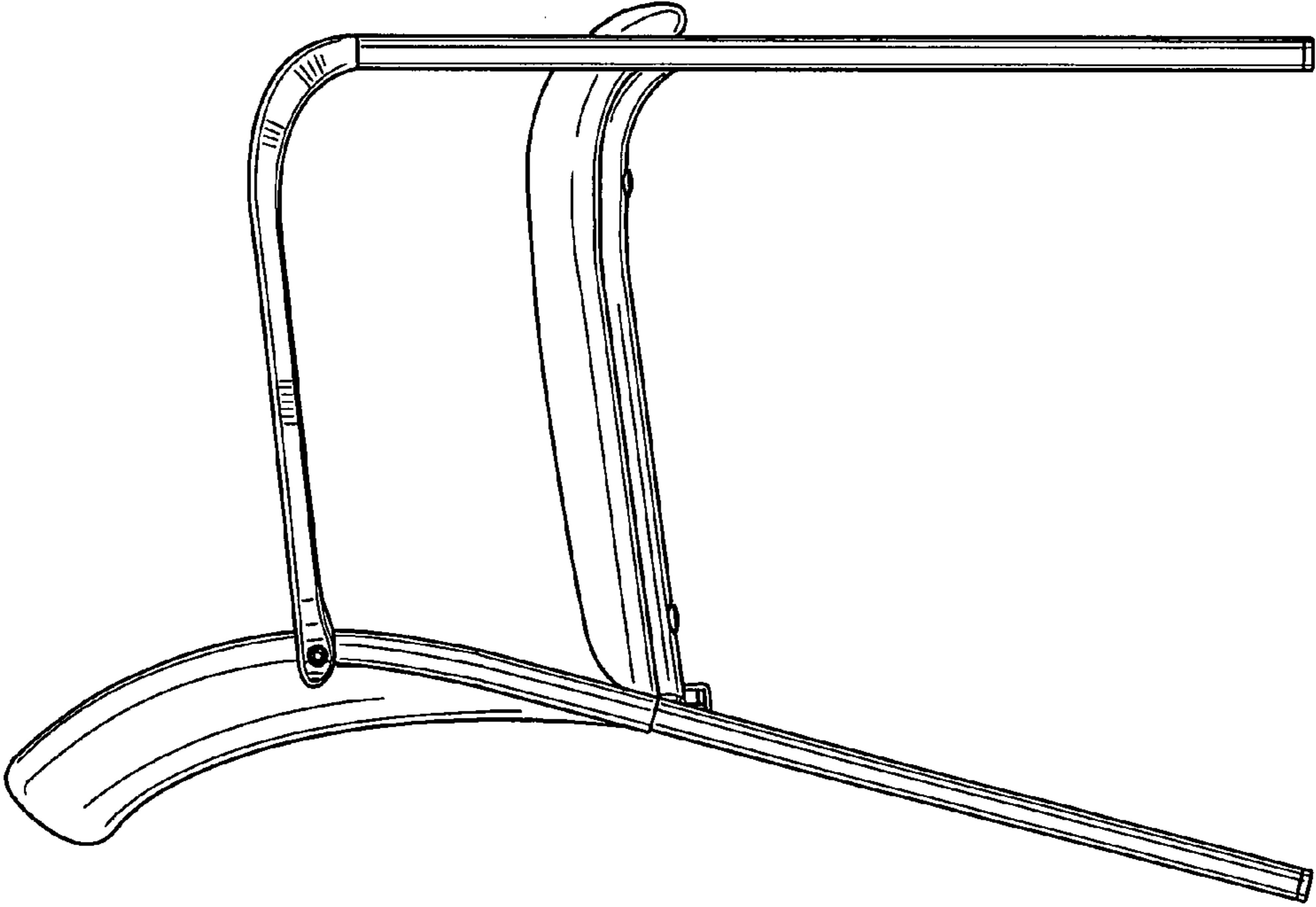


FIG. 3

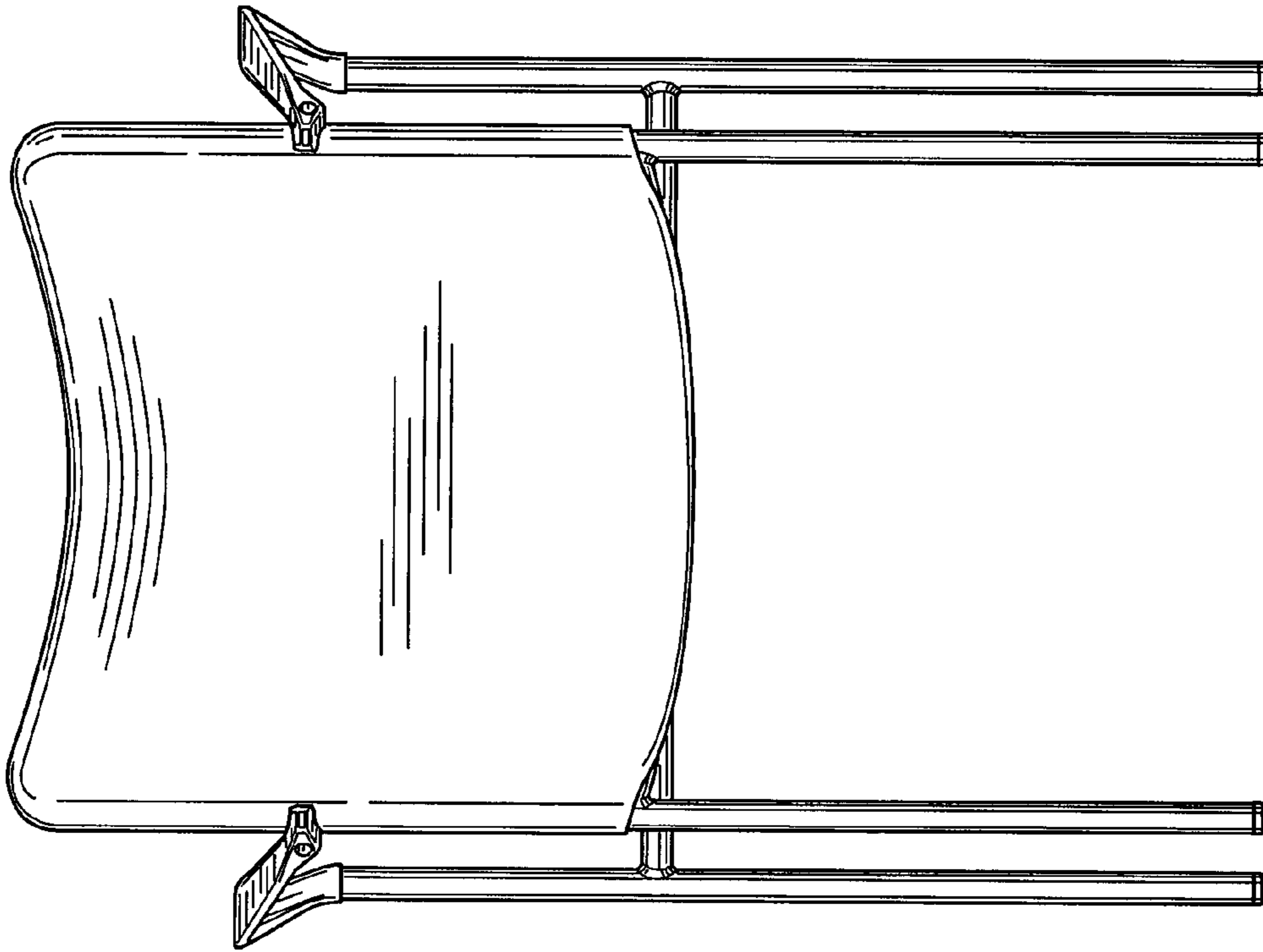


FIG. 6

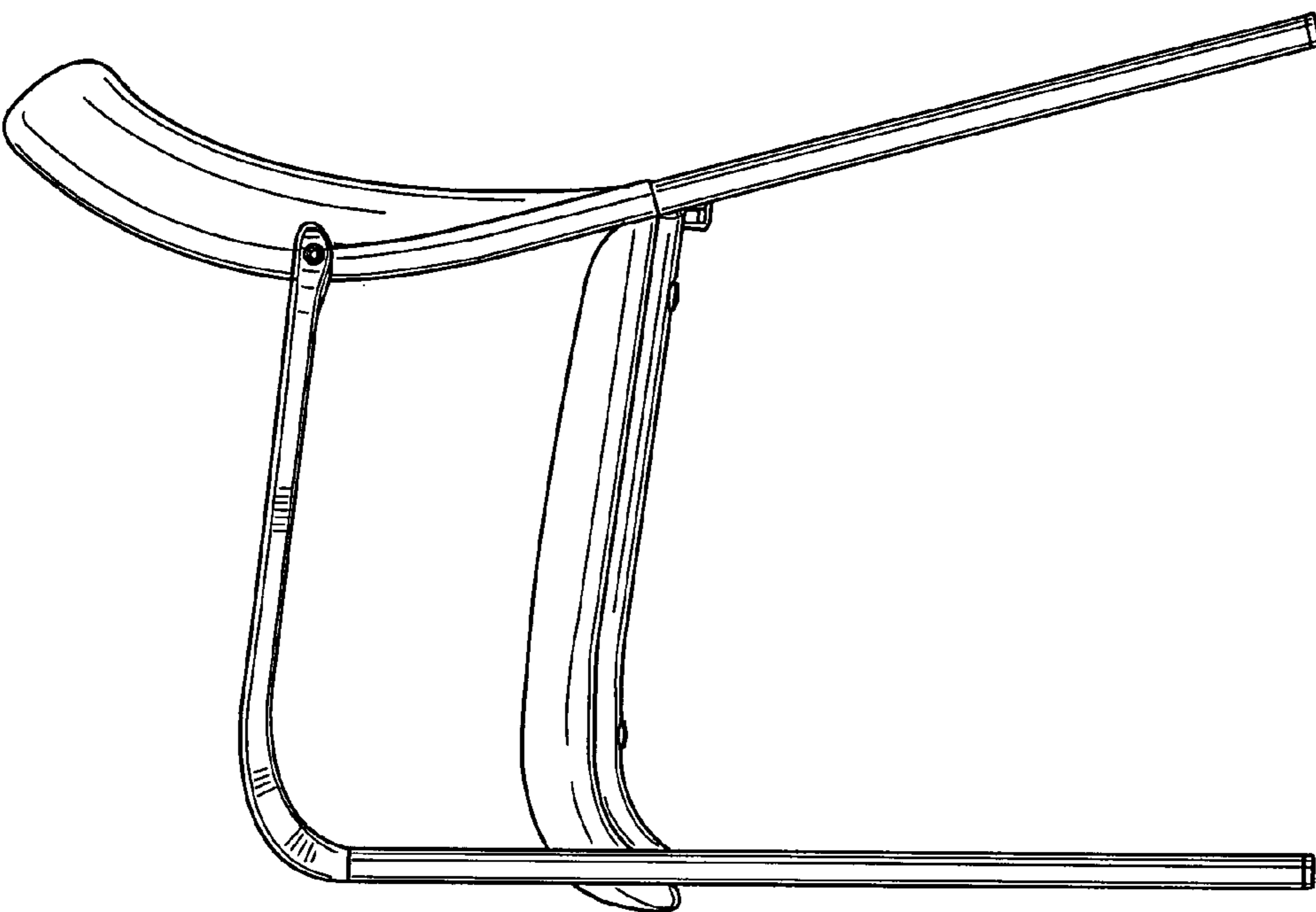


FIG. 5

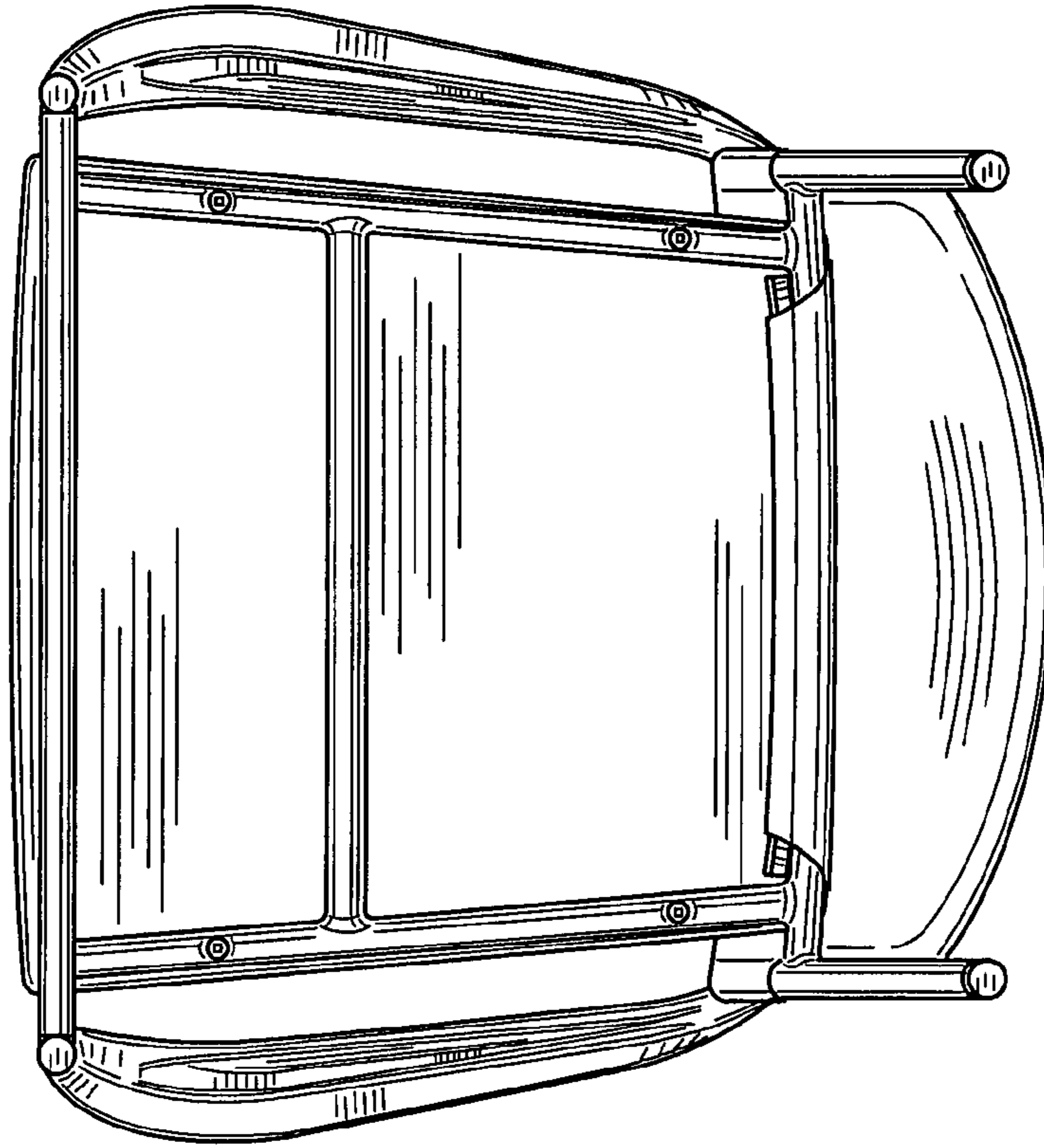


FIG. 8

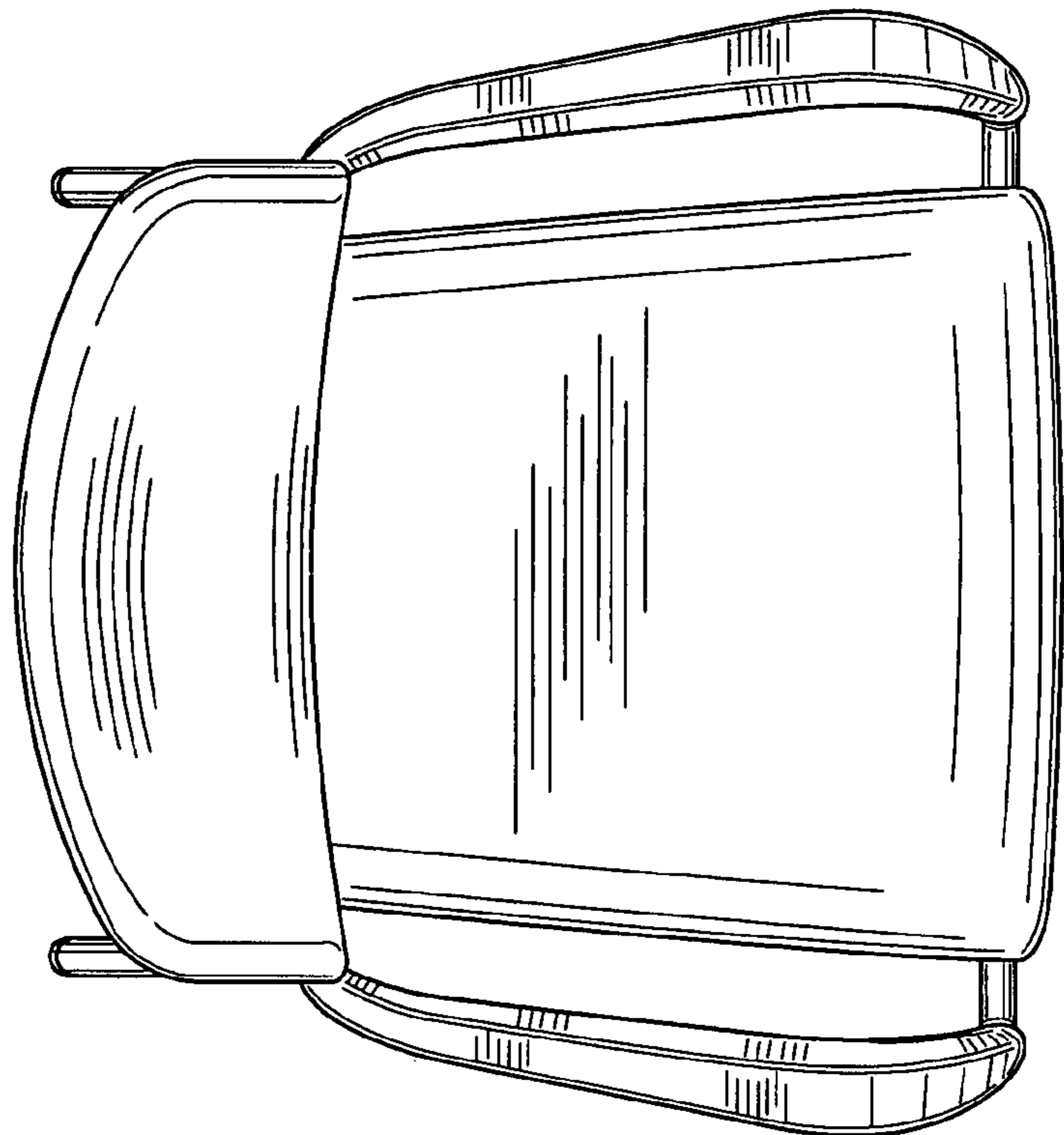


FIG. 7