



US00D587475S

(12) **United States Design Patent**
Ren

(10) **Patent No.:** **US D587,475 S**

(45) **Date of Patent:** **** Mar. 3, 2009**

(54) **5 IN 1 PORTABLE STOOL**

(76) **Inventor:** **Xiaojia Ren**, 2023 Lunenburg Dr., Allen,
TX (US) 75013

(**) **Term:** **14 Years**

(21) **Appl. No.:** **29/301,921**

(22) **Filed:** **Mar. 24, 2008**

(51) **LOC (9) Cl.** **06-01**

(52) **U.S. Cl.** **D6/349**

(58) **Field of Classification Search** D6/349-353,
D6/355, 363, 364, 500-502, 511; 297/16.1,
297/118, 175, 195.1, 423.1, 423.14, 423.39,
297/423.41, 440.1, 440.12, 461, 462; 108/150

See application file for complete search history.

(56) **References Cited**

U.S. PATENT DOCUMENTS

D153,191	S	*	3/1949	Walters	D6/335
2,620,018	A	*	12/1952	Pagano	297/123
3,834,776	A	*	9/1974	Becker, Jr.	312/108
3,982,784	A	*	9/1976	Esser	297/1
D482,538	S	*	11/2003	Fischer	D6/336

* cited by examiner

Primary Examiner—Sandra Snapp

(57) **CLAIM**

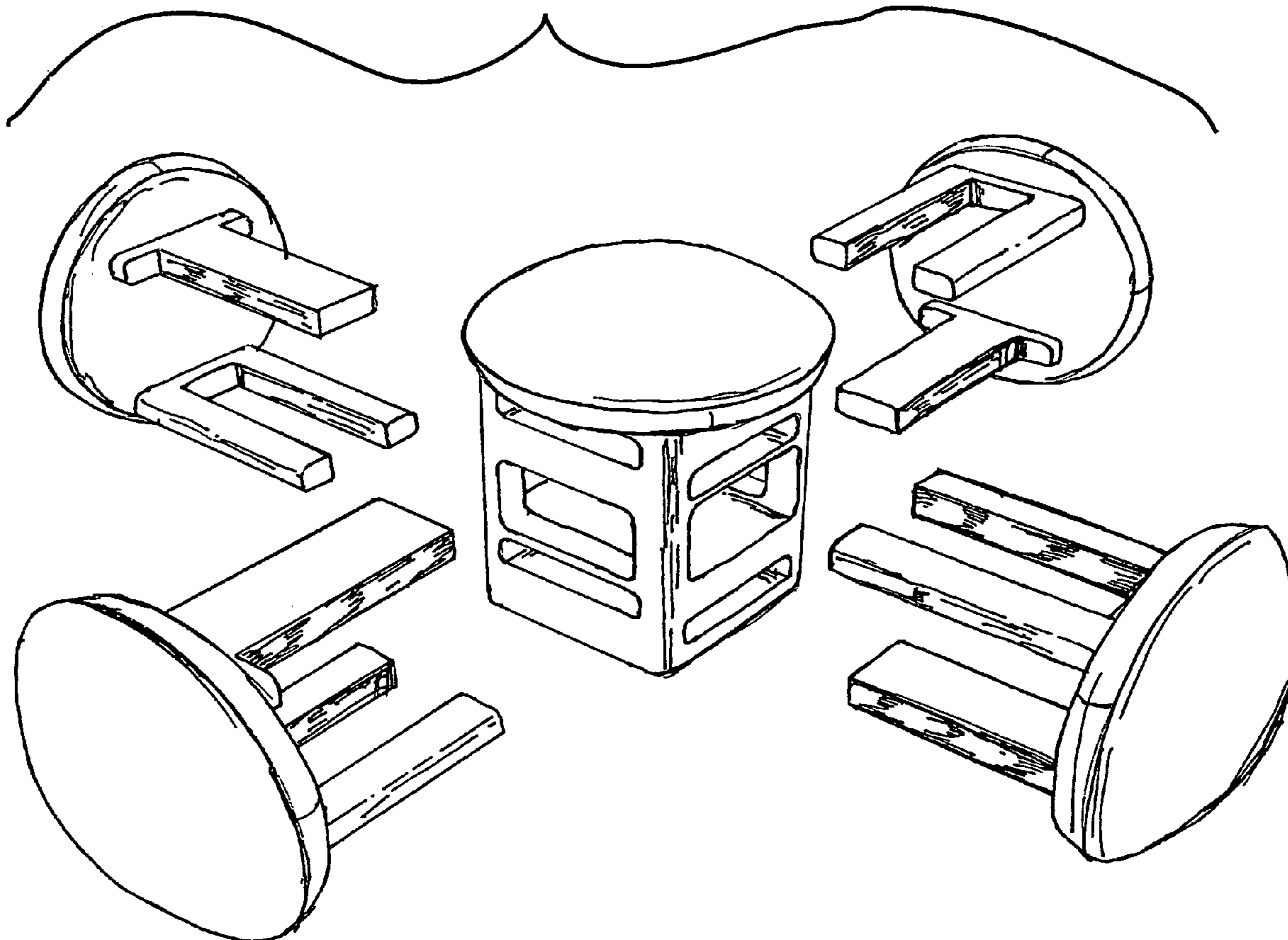
The ornamental design for a 5 in 1 portable stool, as shown.

DESCRIPTION

FIG. 1 is a side elevation view of a fully assembled 5-in-1 portable stool showing my new design; and,

FIG. 2 is an exploded perspective view thereof.

1 Claim, 2 Drawing Sheets



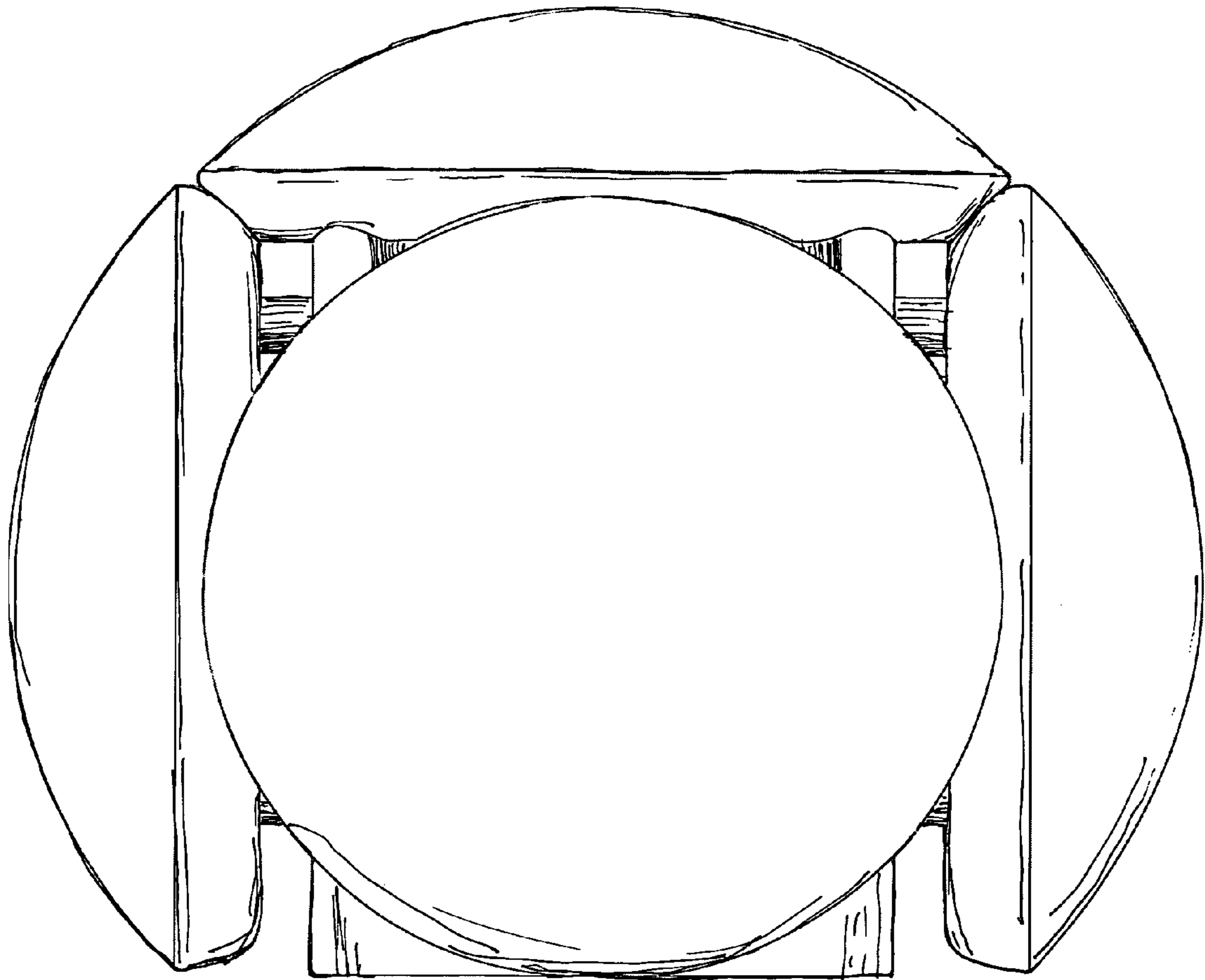


Fig. 1

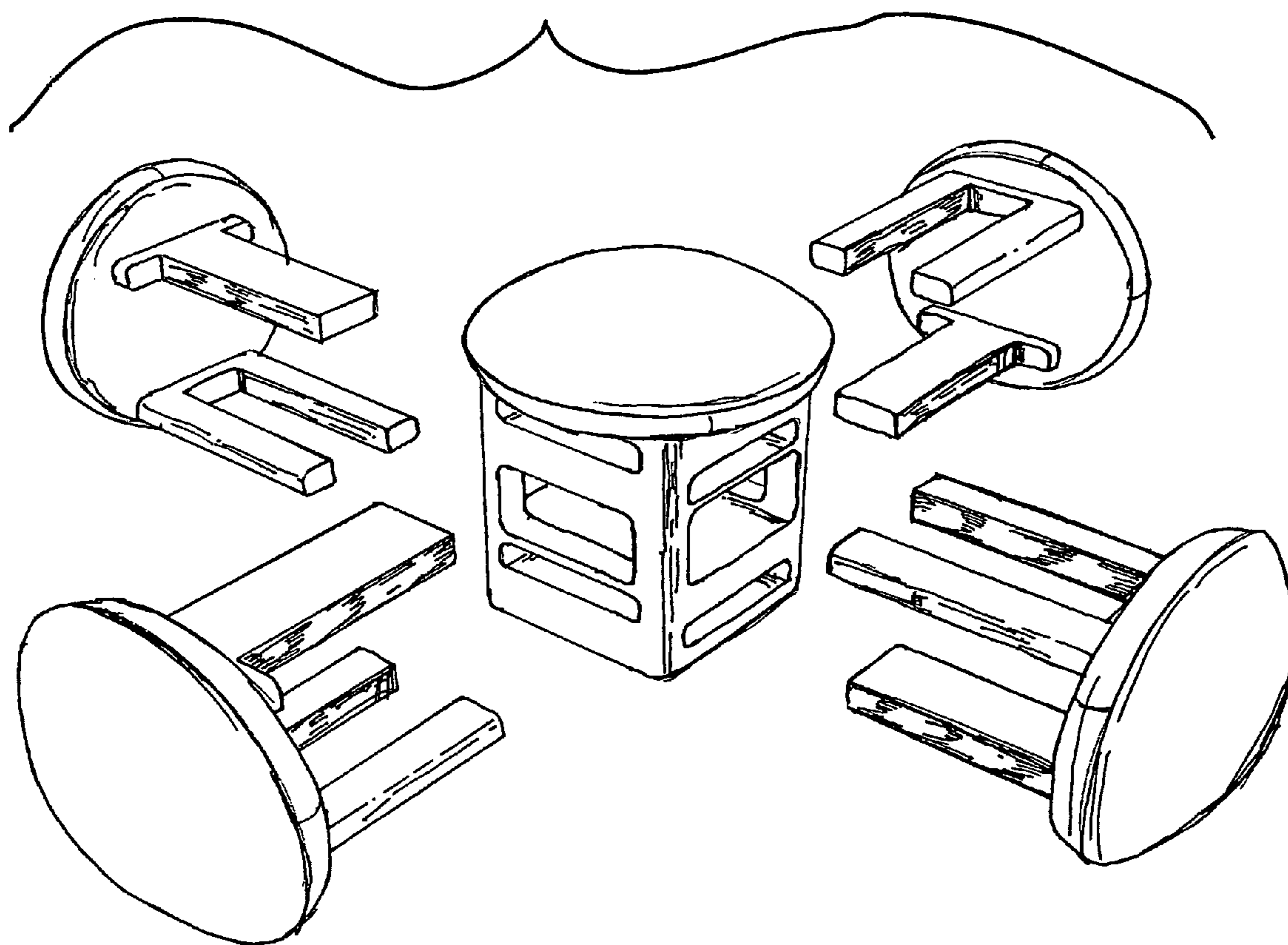


Fig. 2