



US00D587473S

(12) **United States Design Patent**  
**Thompson**

(10) **Patent No.:** **US D587,473 S**  
(45) **Date of Patent:** **\*\* Mar. 3, 2009**

(54) **UPHOLSTERED CHAIR**  
(75) **Inventor:** **David W. Thompson**, New Albany, OH  
(US)  
(73) **Assignee:** **American Signature, Inc.**, Columbus,  
OH (US)  
(\*\*) **Term:** **14 Years**

D352,615 S \* 11/1994 Hutton ..... D6/334  
D372,366 S \* 8/1996 Frinier ..... D6/369  
D378,962 S \* 4/1997 Greene ..... D6/369  
D380,100 S \* 6/1997 Smith ..... D6/369  
D383,006 S \* 9/1997 Hutton ..... D6/334  
D388,965 S \* 1/1998 Mourgue ..... D6/334  
D412,408 S \* 8/1999 Navone ..... D6/369  
D413,448 S \* 9/1999 Navone ..... D6/369  
D439,755 S \* 4/2001 Tjia ..... D6/334  
D485,688 S \* 1/2004 Frinier et al. .... D6/334

(21) **Appl. No.:** **29/324,441**  
(22) **Filed:** **Sep. 12, 2008**

\* cited by examiner

(51) **LOC (9) Cl.** ..... **06-01**  
(52) **U.S. Cl.** ..... **D6/334**  
(58) **Field of Classification Search** ..... D6/334-338,  
D6/349, 355, 361, 368-370, 376, 379-381,  
D6/492, 500-502; 297/16.1, 42, 94, 135,  
297/175, 232, 233, 350, 351, 445.1, 448.1,  
297/448.2, 451.9; 5/12.1, 12.2

*Primary Examiner*—Sandra Snapp  
(74) *Attorney, Agent, or Firm*—Wood, Herron & Evans,  
L.L.P.

See application file for complete search history.

(57) **CLAIM**

The ornamental design for an upholstered chair, as shown and described.

(56) **References Cited**

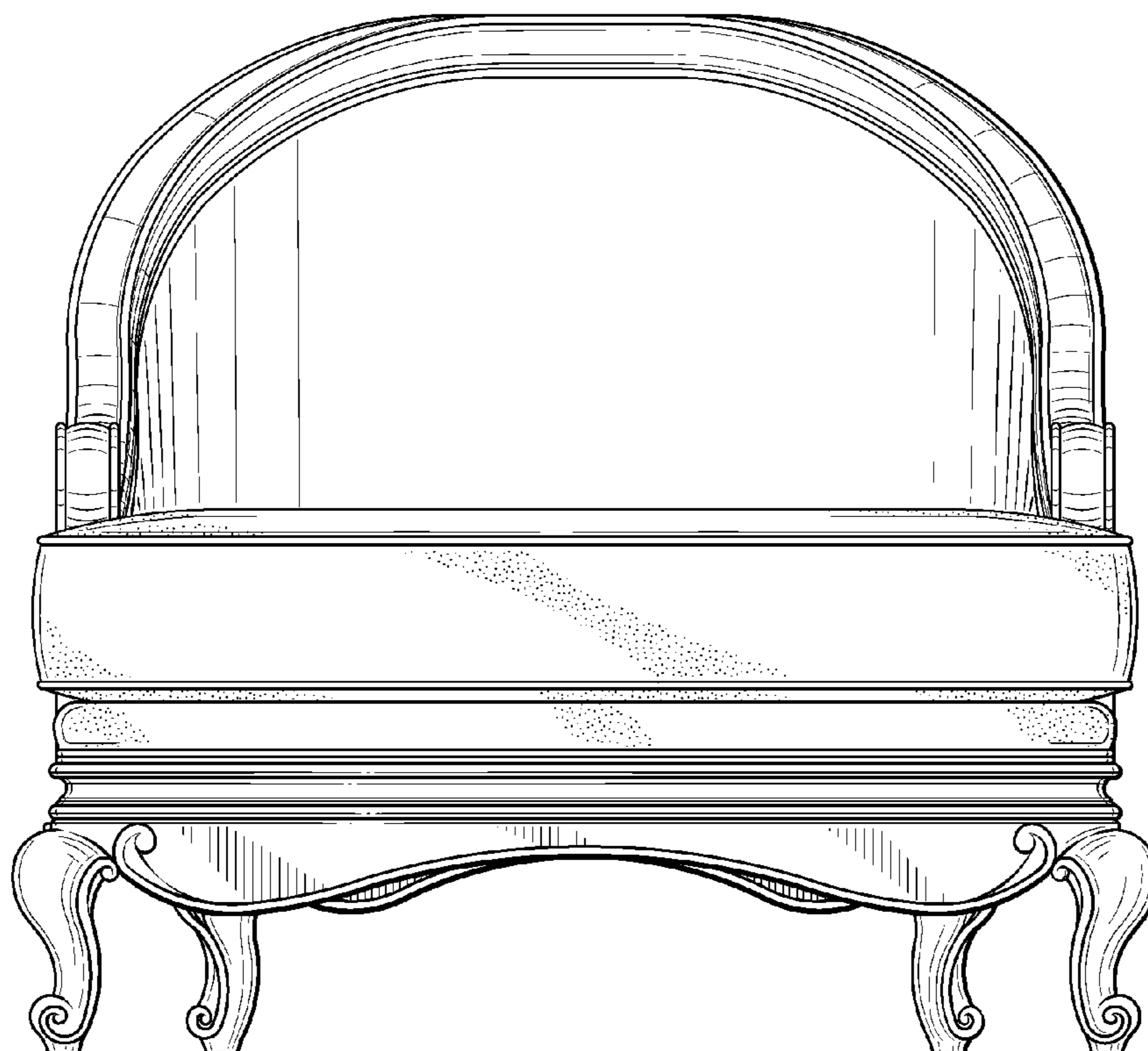
**DESCRIPTION**

**U.S. PATENT DOCUMENTS**

D210,659 S \* 4/1968 Granger ..... D6/334  
D233,286 S \* 10/1974 Fisher ..... D6/334  
D265,953 S \* 8/1982 Olko ..... D6/369  
D286,587 S \* 11/1986 Culler ..... D6/334  
D286,588 S \* 11/1986 Culler ..... D6/334  
D327,583 S \* 7/1992 Dettinger ..... D6/334

FIG. 1 is a front elevational view of my new design.  
FIG. 2 is a rear elevational view thereof.  
FIG. 3 is a top plan view thereof.  
FIG. 4 is bottom plan view thereof; and,  
FIG. 5 is a right side elevational view thereof, the left side  
elevational view being a mirror image thereof.

**1 Claim, 3 Drawing Sheets**



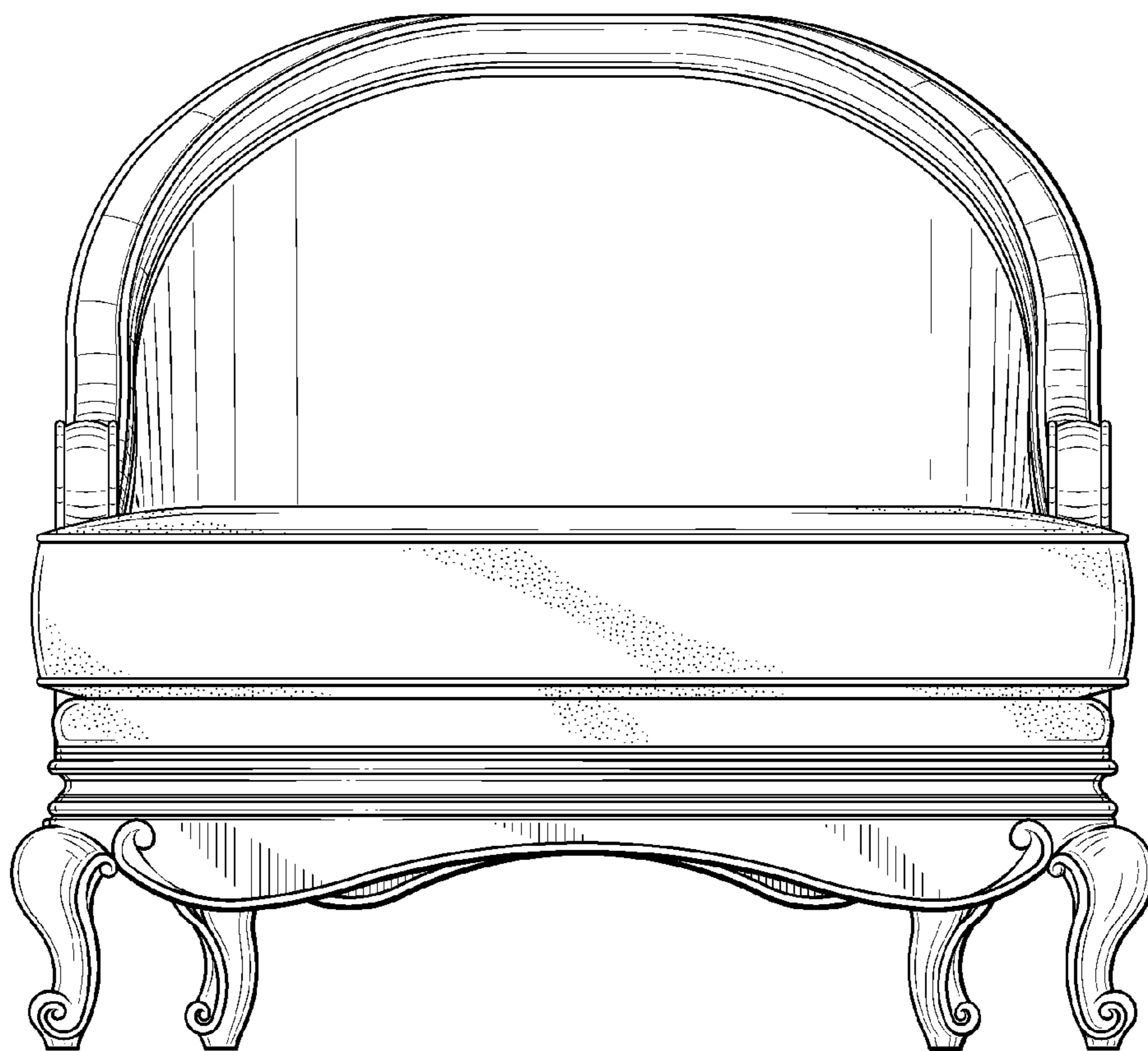


FIG. 1

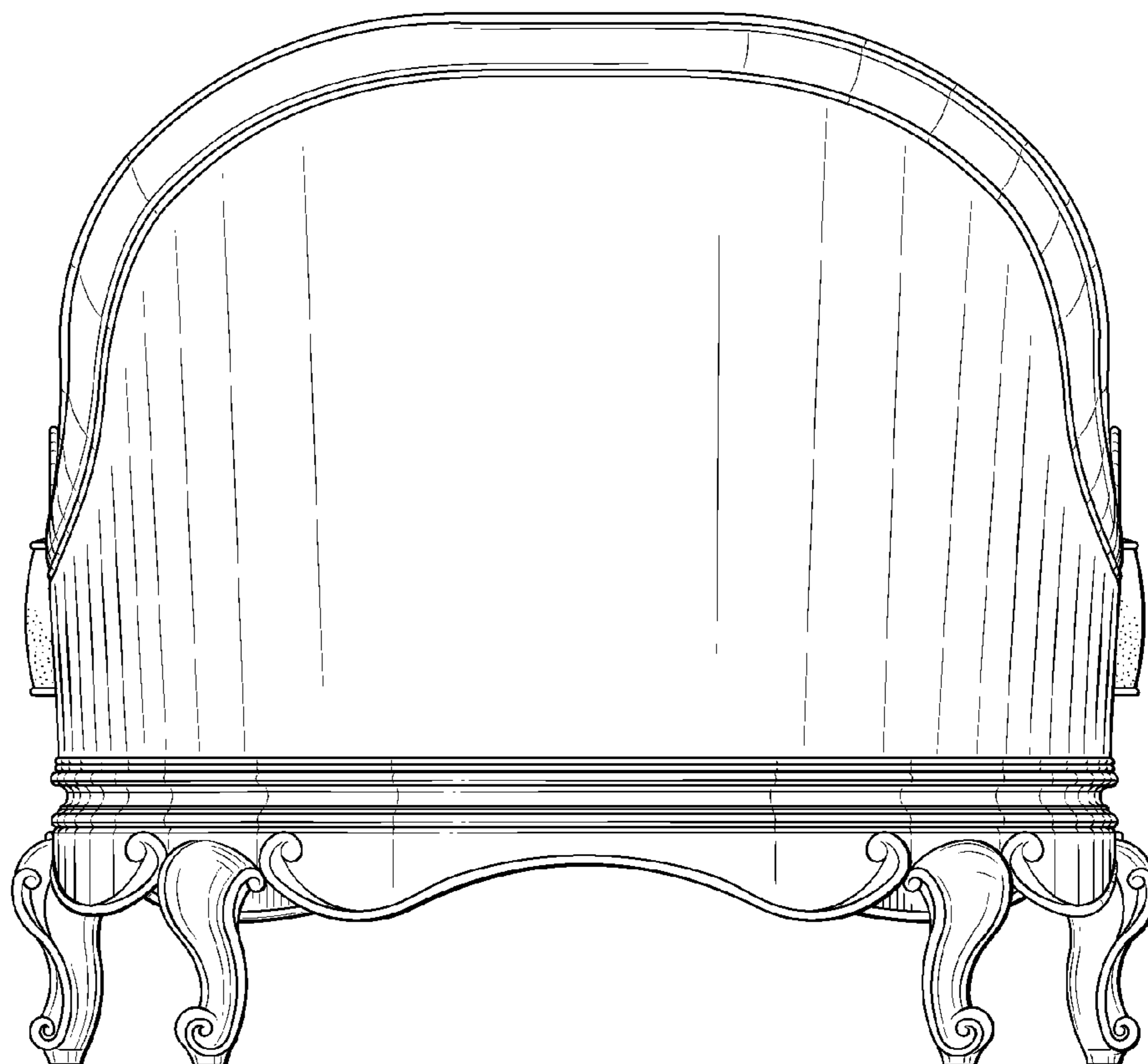


FIG. 2

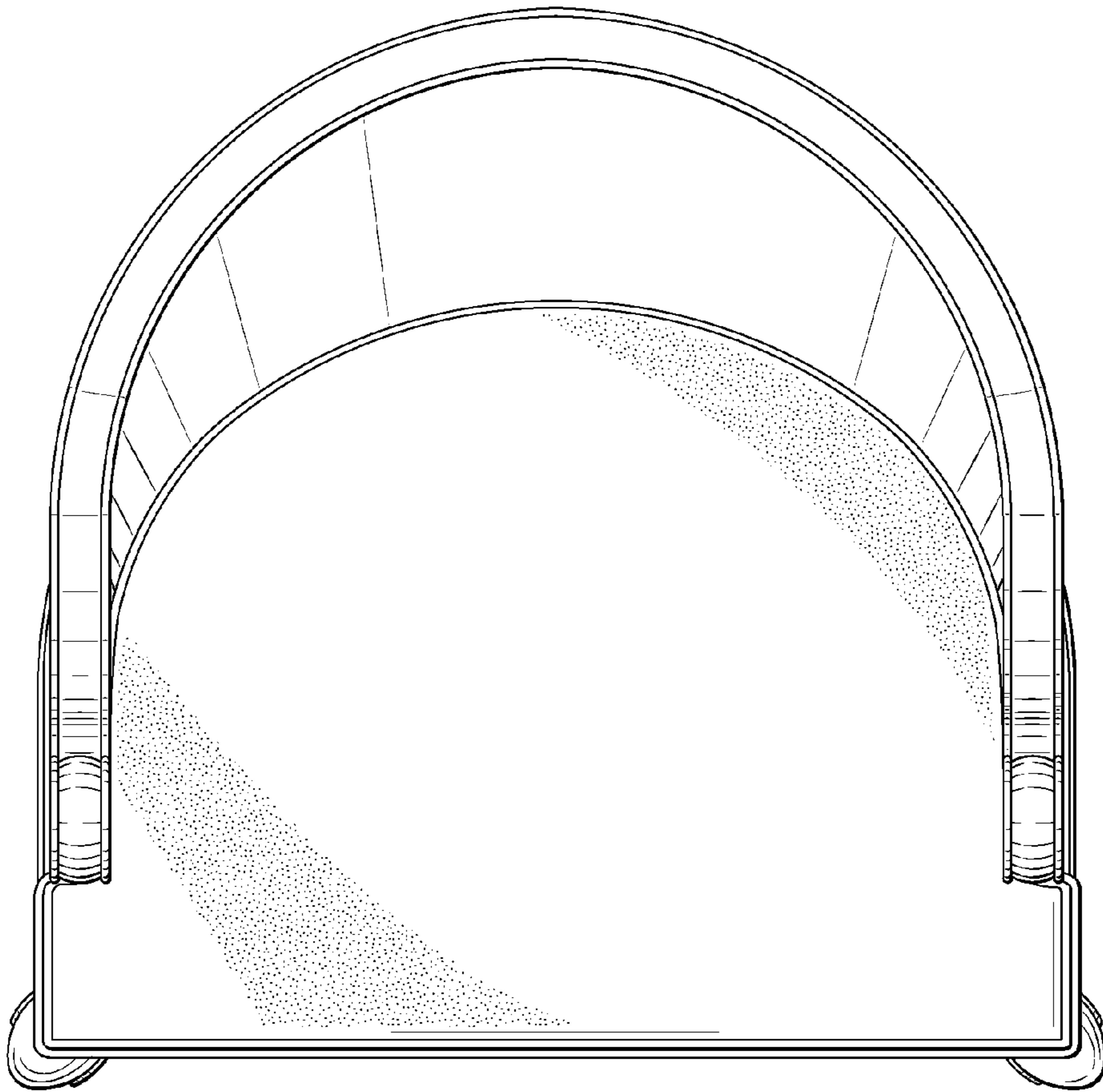


FIG. 3

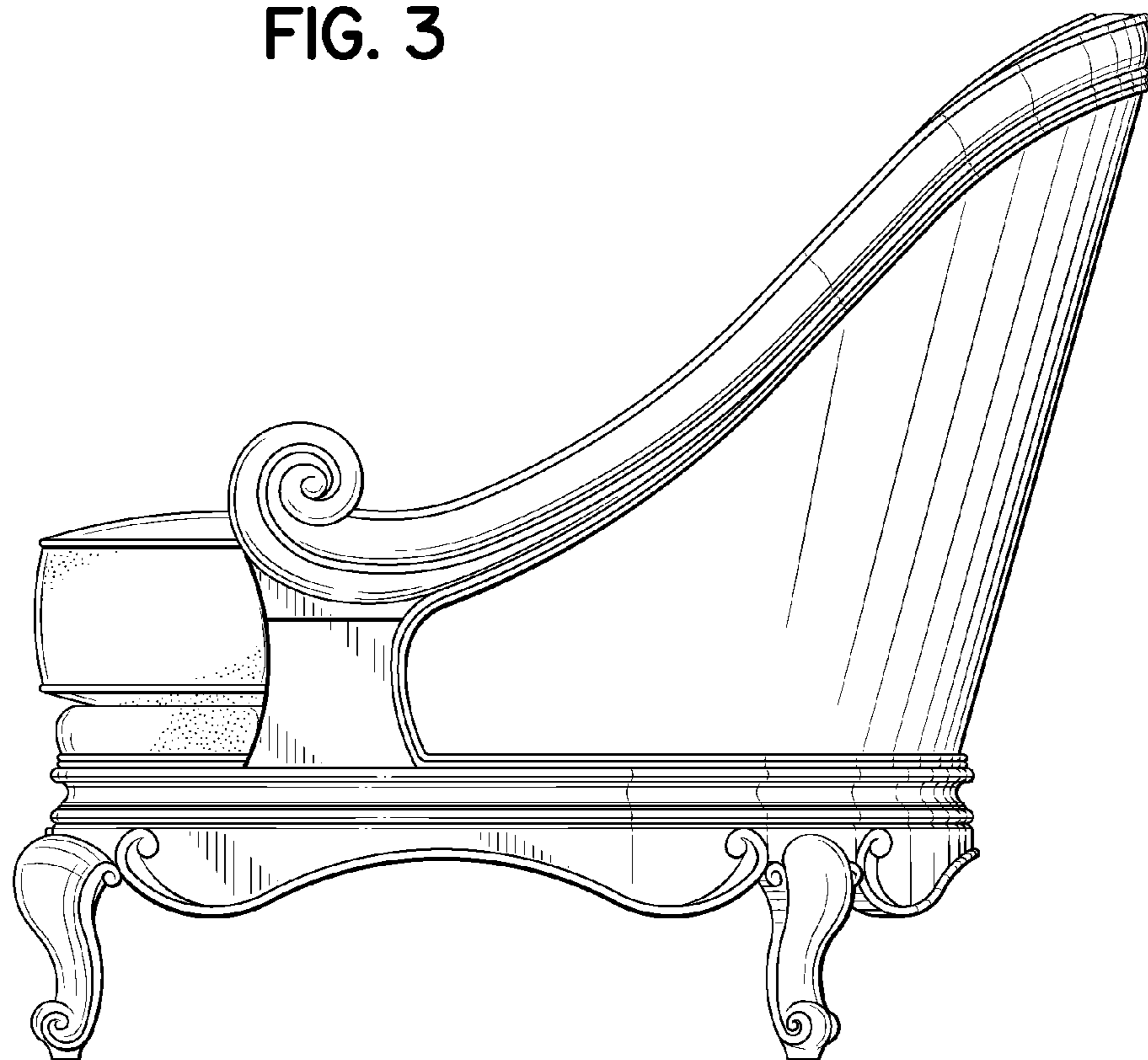


FIG. 5

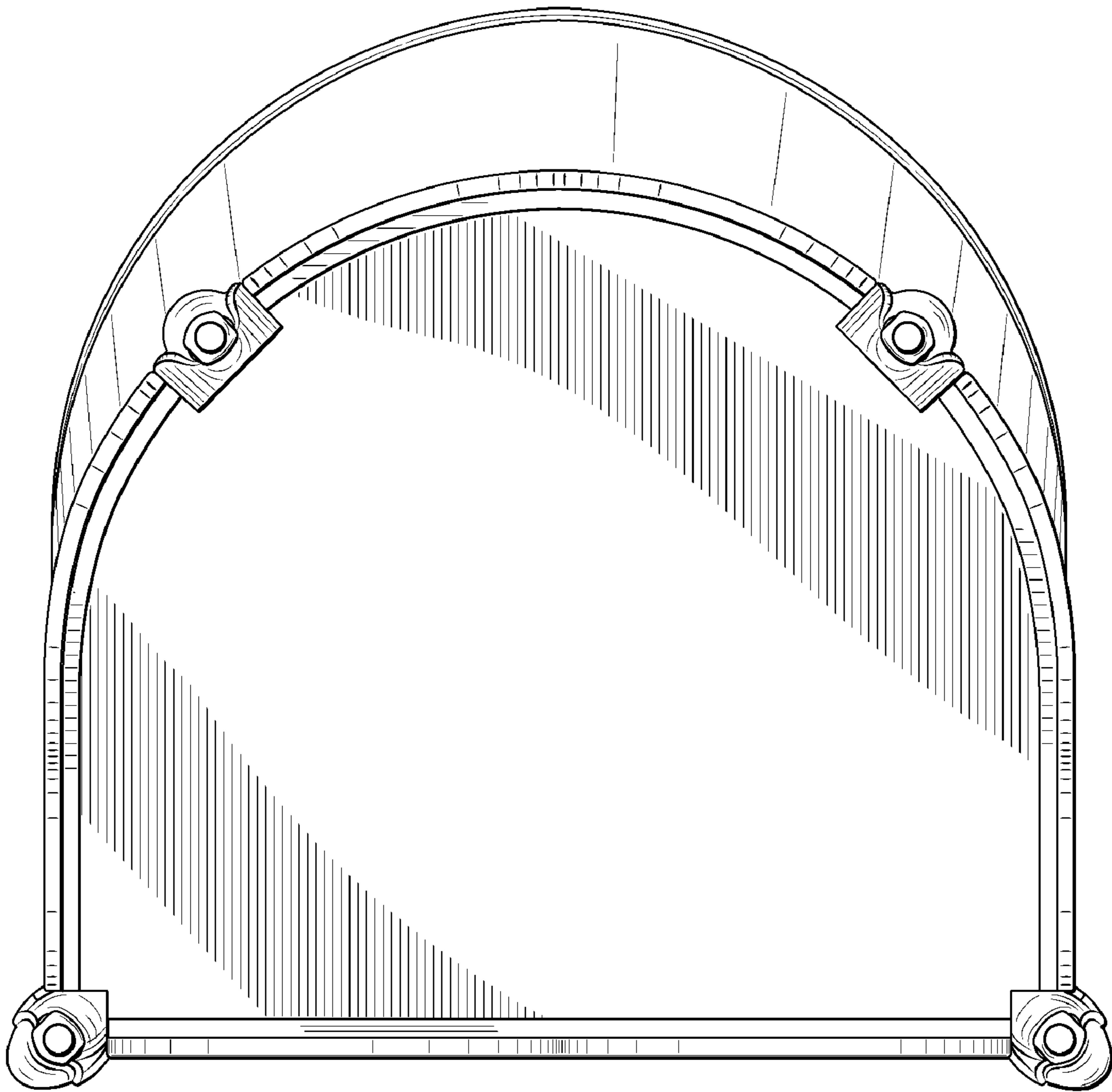


FIG. 4