



US00D587472S

(12) **United States Design Patent**
Ishikawa

(10) **Patent No.:** **US D587,472 S**
(45) **Date of Patent:** **** Mar. 3, 2009**

(54) **CHILD SEAT**

(75) Inventor: **Takeshi Ishikawa**, Nagano-ken (JP)

(73) Assignee: **Handysitt A/S**, Billund (DK)

(**) Term: **14 Years**

(21) Appl. No.: **29/301,858**

(22) Filed: **Mar. 20, 2008**

(51) **LOC (9) Cl.** **06-01**

(52) **U.S. Cl.** **D6/333**

(58) **Field of Classification Search** D6/333-335,
D6/339, 491, 499-502; D12/129; D21/412,
D21/416, 419; 280/30, 31; 5/93.1, 93.2,
5/94, 98.1, 99.1, 101, 102, 655; 297/183.1,
297/183.2, 183.3, 183.4, 184.14, 184.15,
297/250.1, 255, 256.15, 256.16

See application file for complete search history.

(56) **References Cited**

U.S. PATENT DOCUMENTS

834,383 A * 10/1906 Johnson 297/152
1,641,952 A * 9/1927 Abraham 297/255
1,641,953 A * 9/1927 Abraham 297/255
2,508,822 A * 5/1950 Goldberg 297/255

2,924,266 A * 2/1960 Goldberg 297/487
3,023,047 A * 2/1962 Linden 297/254
5,123,377 A * 6/1992 Edwards 119/28.5
D340,139 S * 10/1993 McCaskill D6/333
D545,578 S * 7/2007 Ishikawa D6/333
D565,311 S * 4/2008 Ishikawa D6/339

* cited by examiner

Primary Examiner—Sandra Snapp

(74) *Attorney, Agent, or Firm*—Day Pitney

(57) **CLAIM**

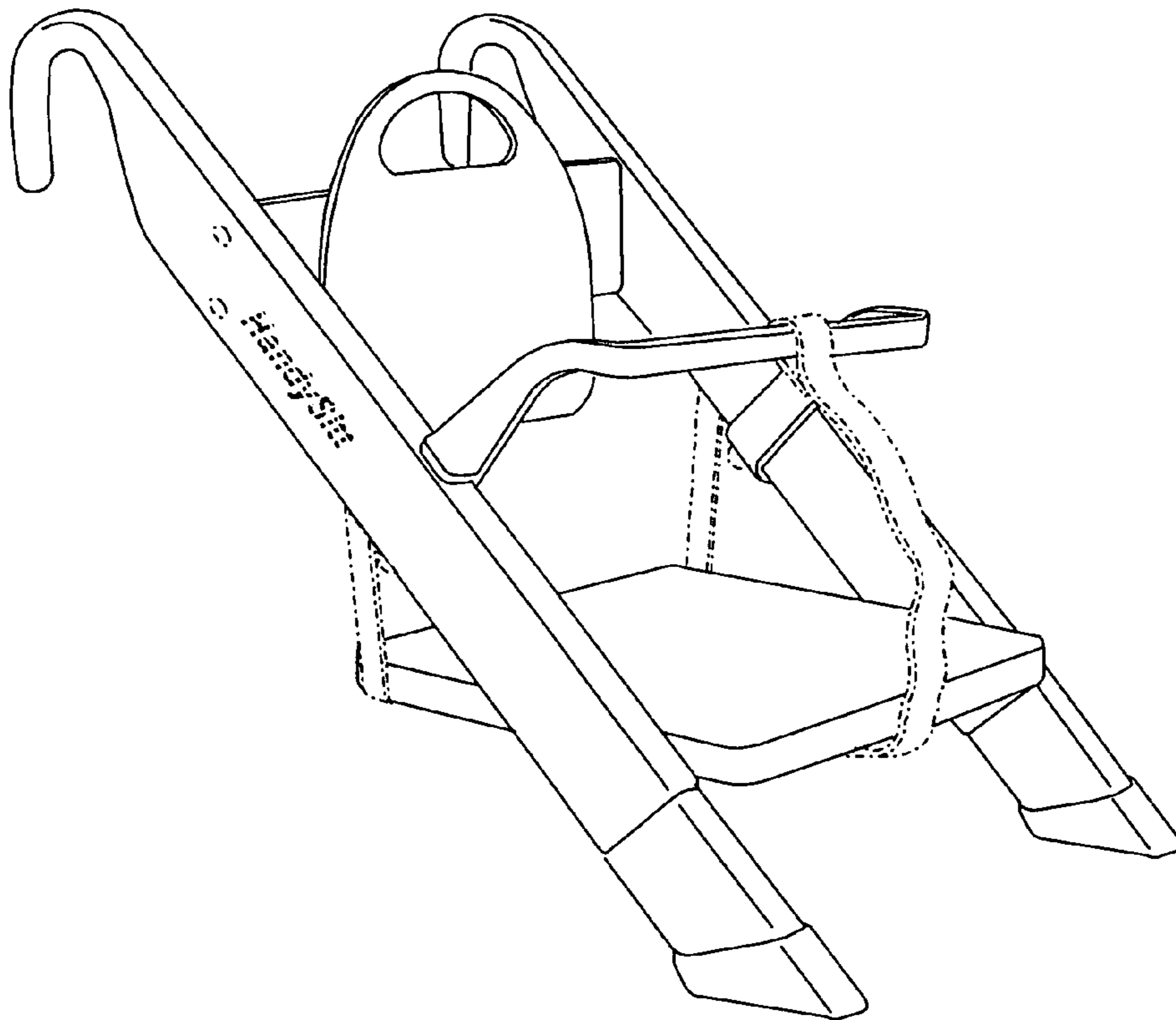
The ornamental design for a child seat, as shown and described.

DESCRIPTION

FIG. 1 is a front view of the child seat of the present design;
FIG. 2 is a perspective view thereof;
FIG. 3 is a bottom view thereof;
FIG. 4 is a right side view thereof; and,
FIG. 5 is a left side view thereof.

The broken lines shown in the drawings are for illustrative purposes only and form no part of the claimed design.

1 Claim, 5 Drawing Sheets



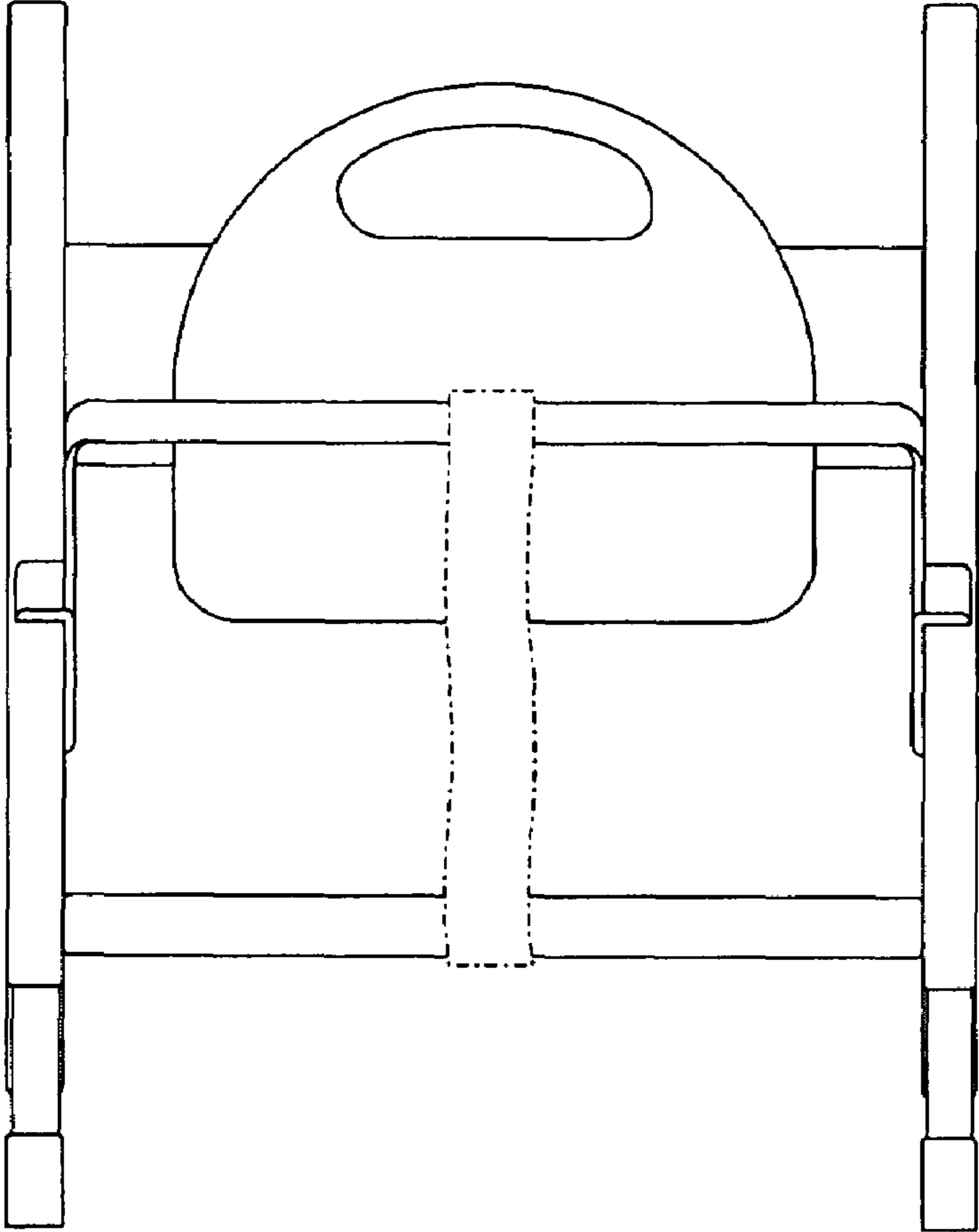


FIG. 1

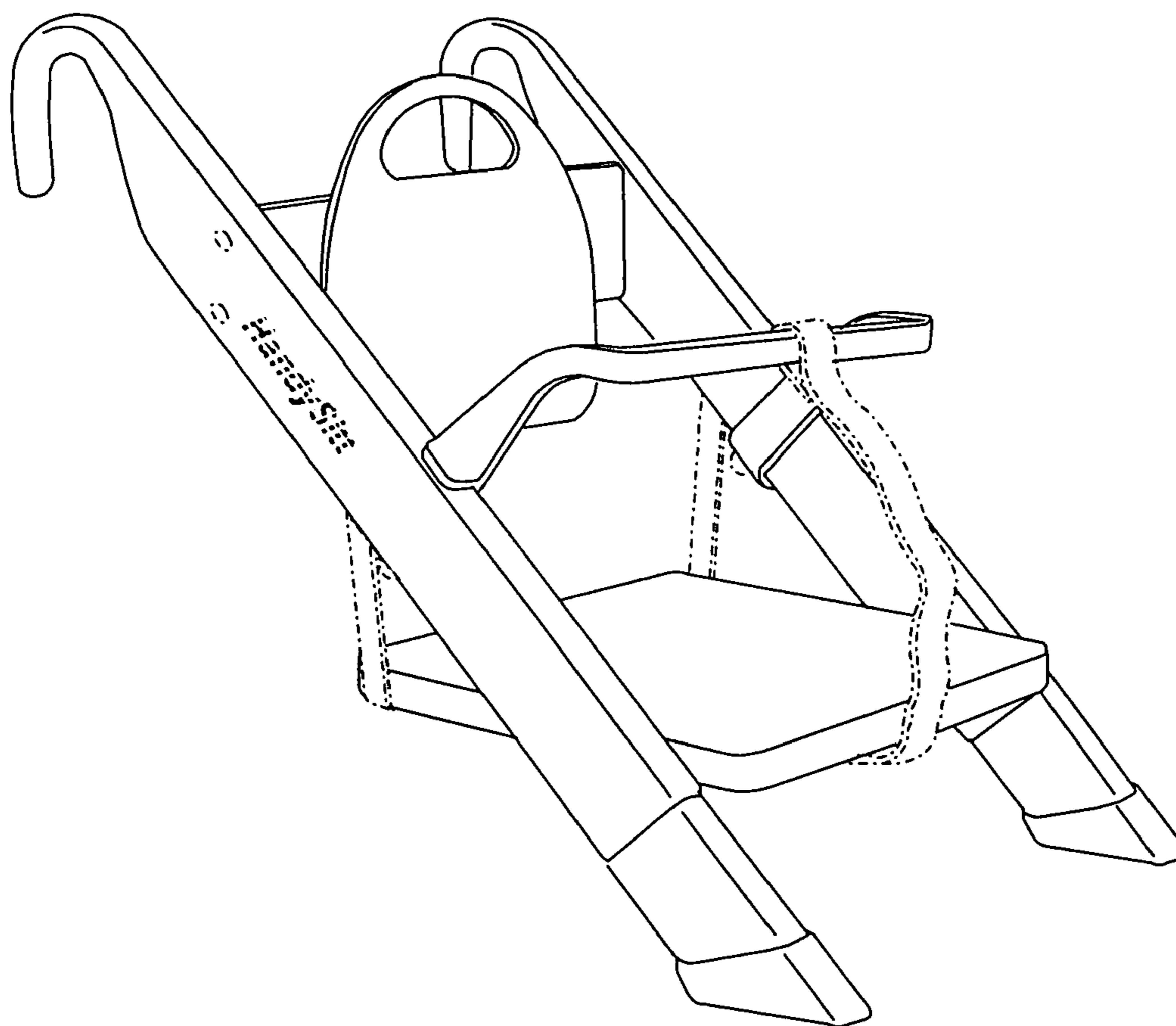


FIG. 2

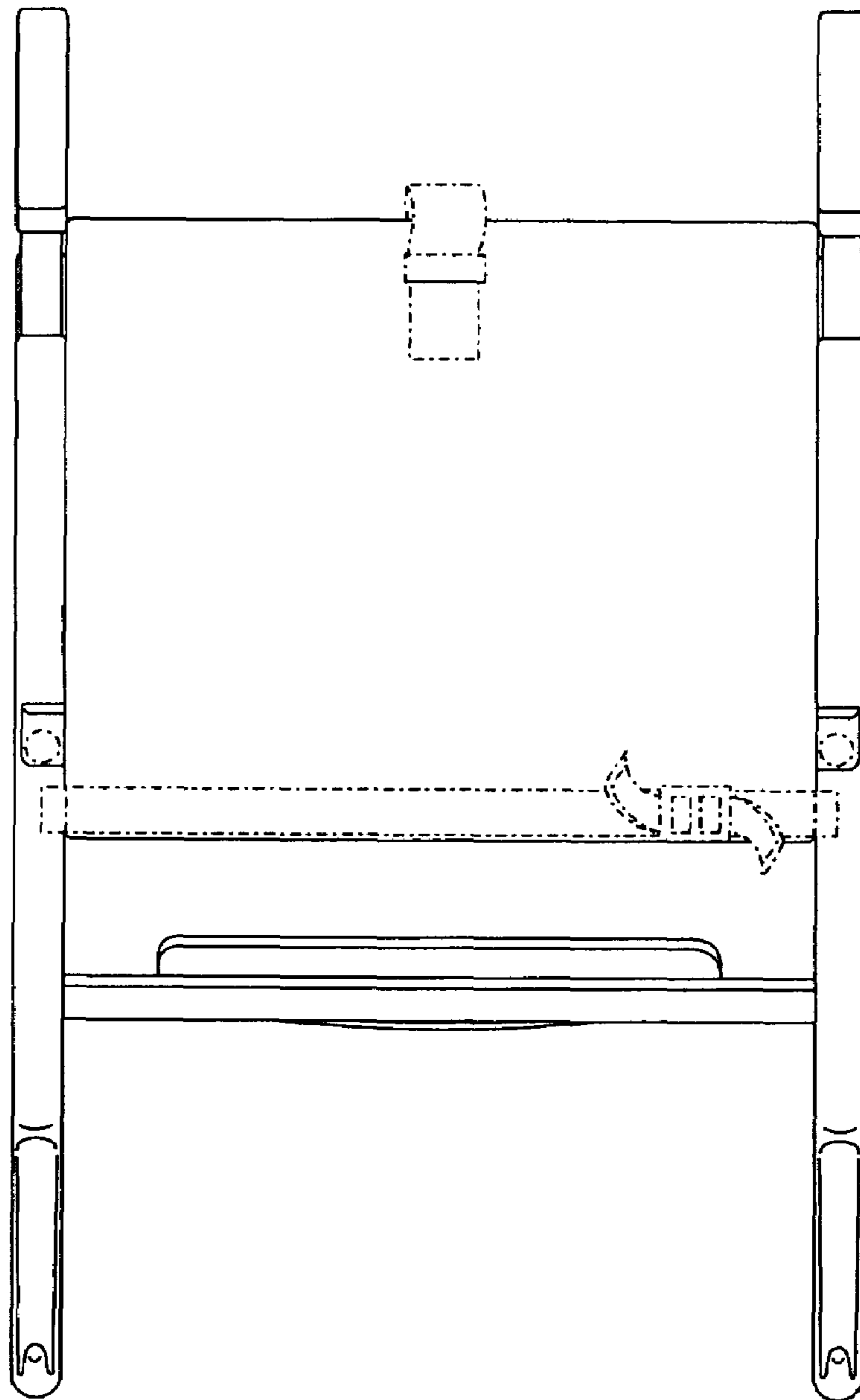


FIG. 3

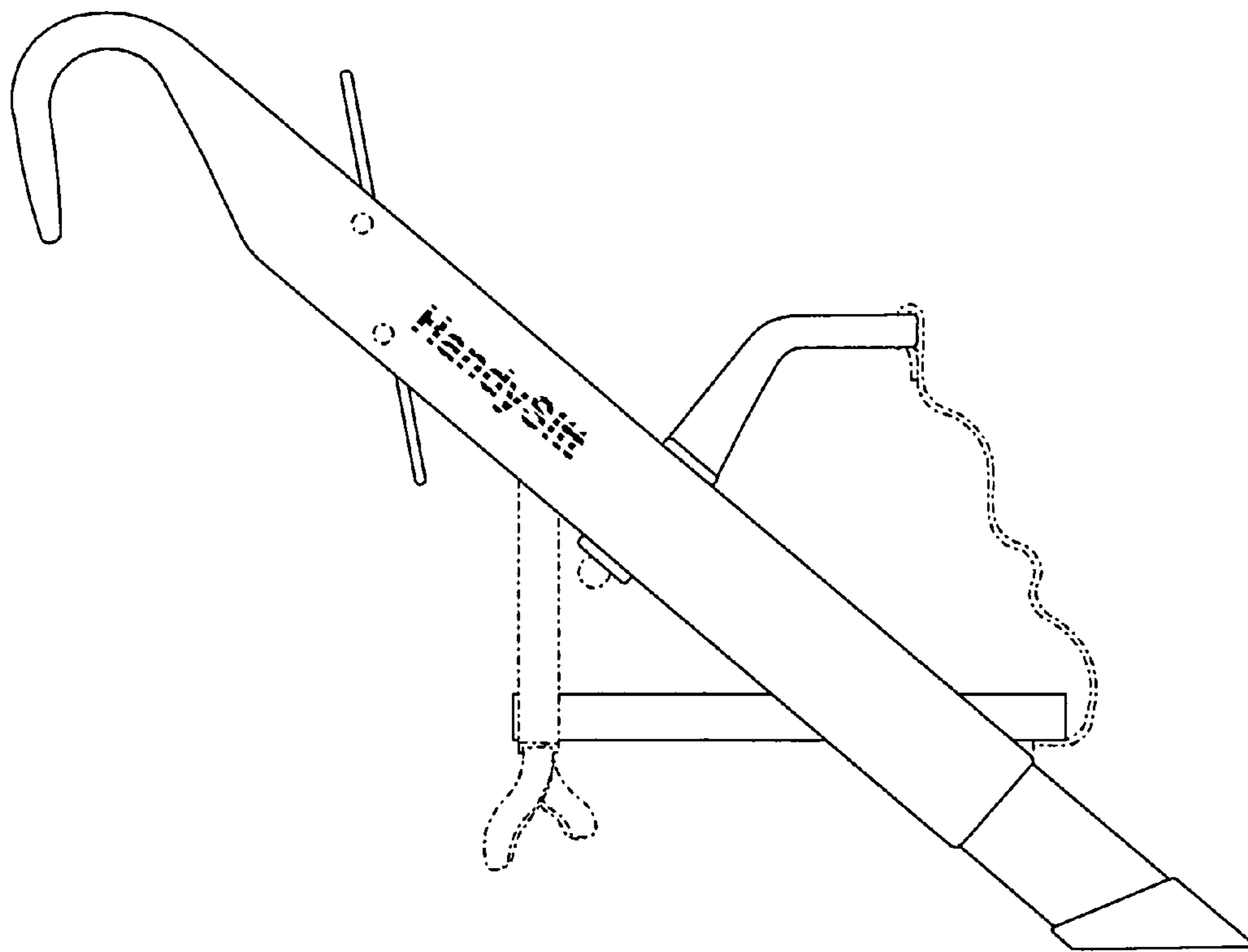


FIG. 4

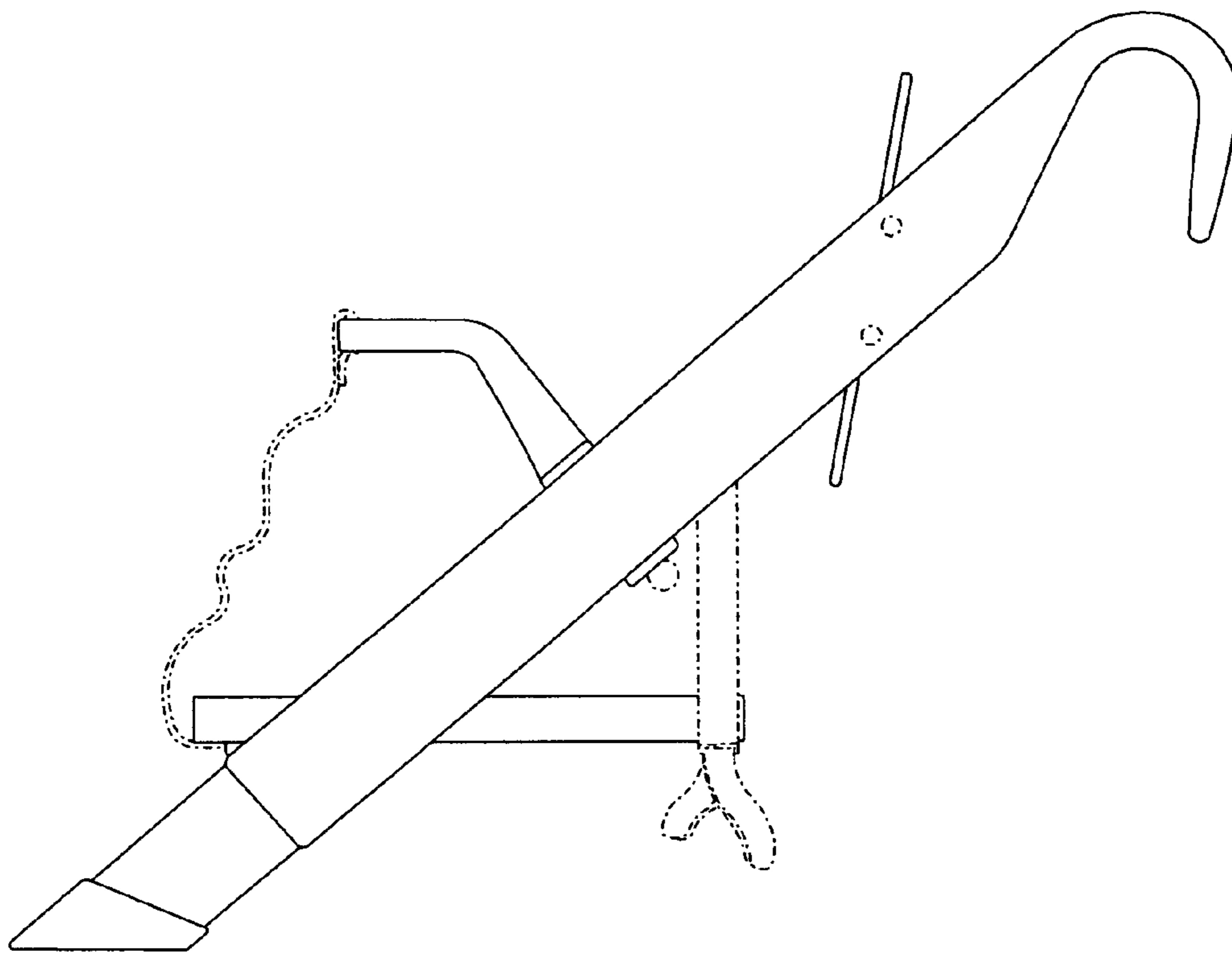


FIG. 5