



US00D587465S

(12) **United States Design Patent**
Wang et al.

(10) **Patent No.:** **US D587,465 S**
(45) **Date of Patent:** **** Mar. 3, 2009**

(54) **PICTURE FRAME**

2002/0133994 A1* 9/2002 Vincent 40/720
2008/0172918 A1* 7/2008 Weiss 40/720

(76) Inventors: **XiaoBing Wang**, A1401, Greatwall
Building 9, Fu Tian, Shen Zhen (CN);
LiangQing Li, A1401, Greatwall
Building 9, Fu Tian, Shen Zhen (CN)

* cited by examiner

Primary Examiner—Janice E Seeger
Assistant Examiner—Sydney R Buffalow
(74) *Attorney, Agent, or Firm*—Troxell Law Office, PLLC

(**) Term: **14 Years**

(57) **CLAIM**

(21) Appl. No.: **29/300,119**

The ornamental design for a picture frame, as shown and described.

(22) Filed: **Feb. 21, 2008**

(51) **LOC (9) Cl.** **06-07**

(52) **U.S. Cl.** **D6/300**

(58) **Field of Classification Search** D6/301,
D6/303, 310; D11/121, 157, 131; 40/720,
40/364, 661, 777, 737, 747, 778, 611.01;
446/85, 109, 147

See application file for complete search history.

DESCRIPTION

FIG. 1 is an elevation view of the front of a picture frame embodying our novel design;

FIG. 2 is an elevation view of the back of the picture frame of FIG. 1;

FIG. 3 is an elevation view of the left side of the picture frame of FIG. 1;

FIG. 4 is an elevation view of the right side of the picture frame of FIG. 1;

FIG. 5 is a top plan view of the picture frame of FIG. 1;

FIG. 6 is a bottom plan view of the picture frame of FIG. 1; and,

FIG. 7 is a perspective view of the picture frame of FIG. 1.

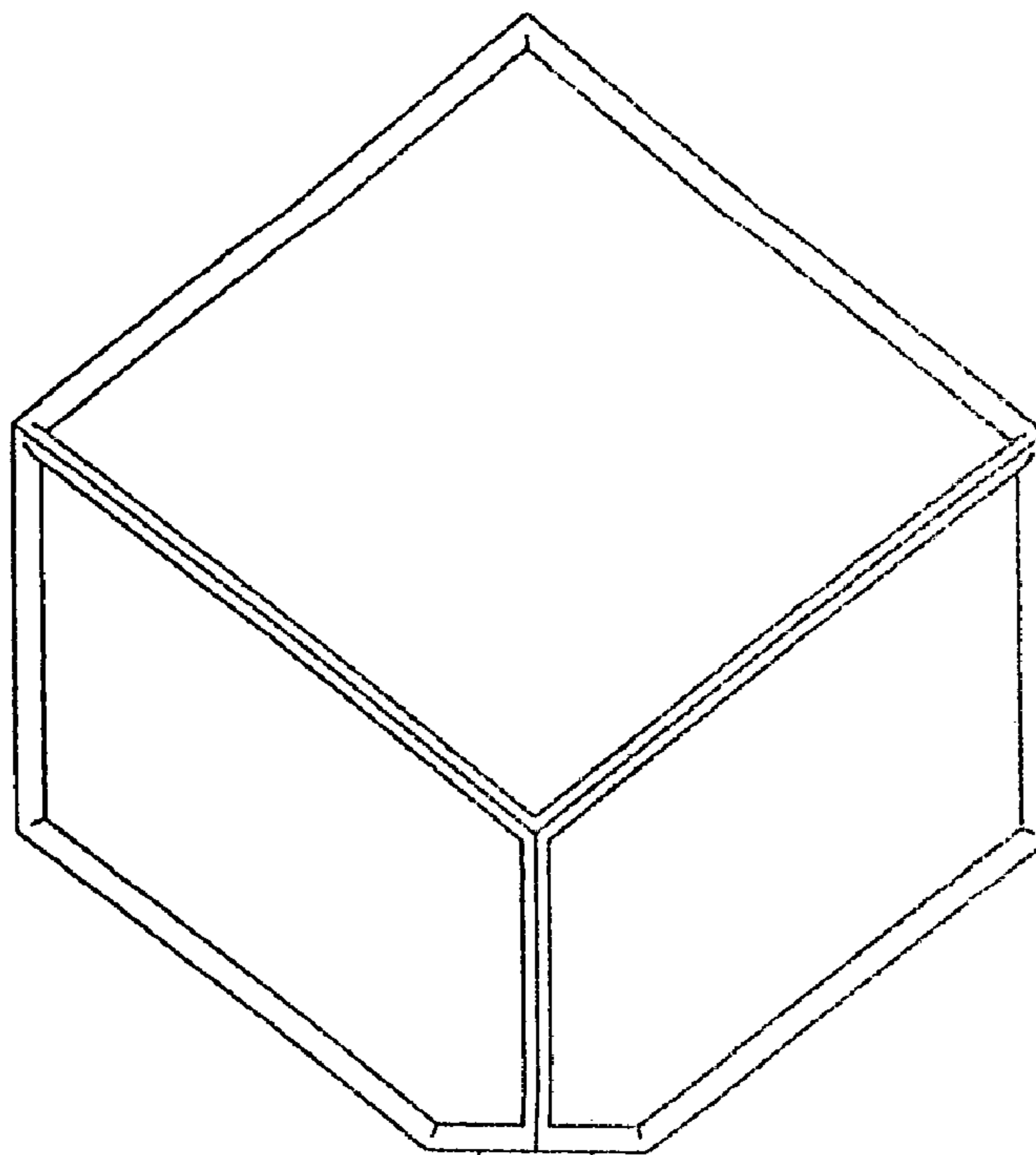
The broken lines are for the illustrative purposes only and form no part of the claimed design.

(56) **References Cited**

U.S. PATENT DOCUMENTS

3,518,786	A *	7/1970	Holtvoigt	446/85
3,596,391	A *	8/1971	Knight, Jr.	40/720
3,703,045	A *	11/1972	Nyman	40/720
D226,797	S *	5/1973	Schneider	D6/301
D227,001	S *	5/1973	Dembar	D6/301
3,774,332	A *	11/1973	Schneider	40/720
5,226,252	A *	7/1993	Haluska	40/634
D340,673	S *	10/1993	Saputo	D11/121
D451,684	S *	12/2001	Vincent	D6/301

1 Claim, 4 Drawing Sheets



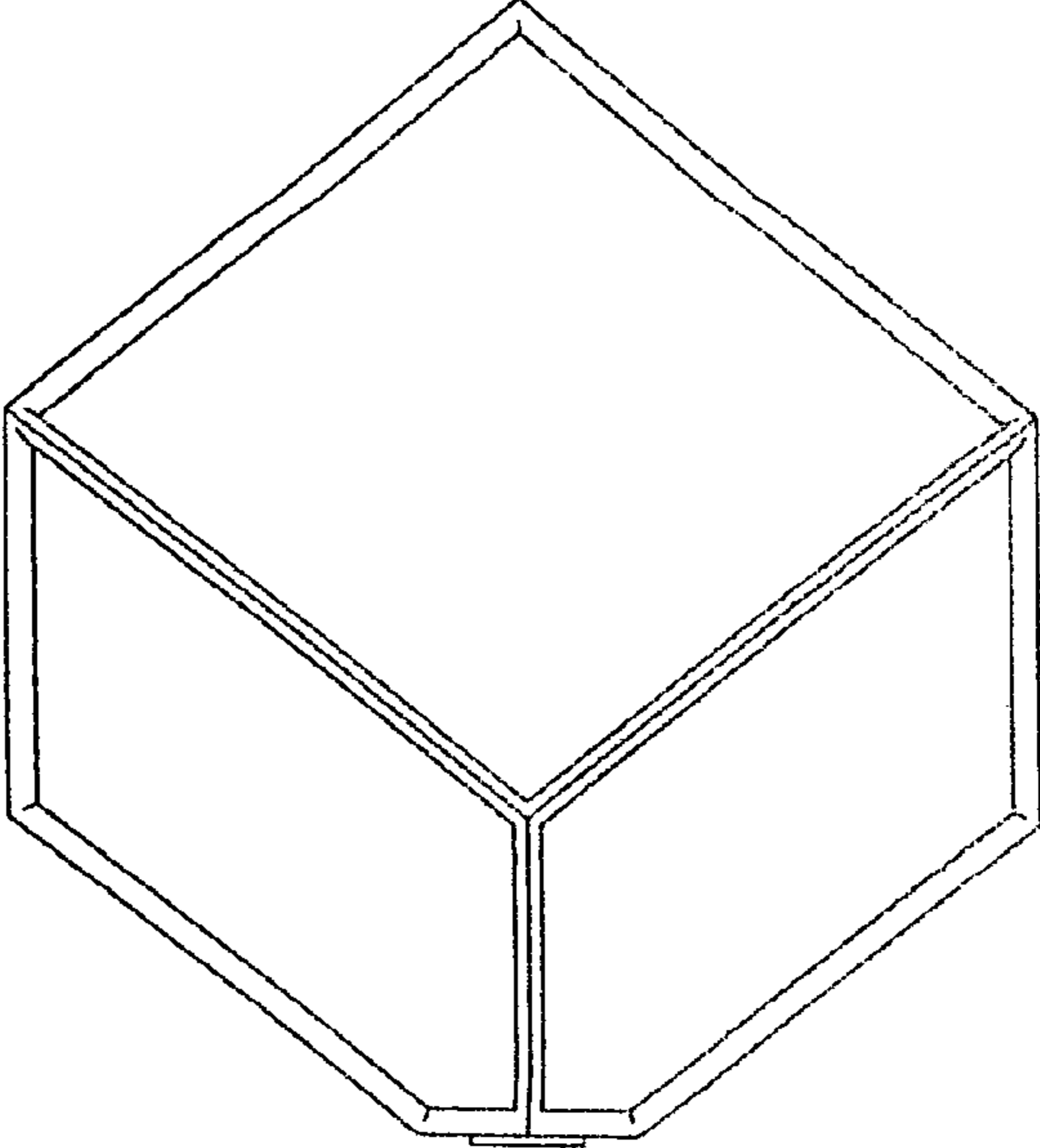


FIG. 1

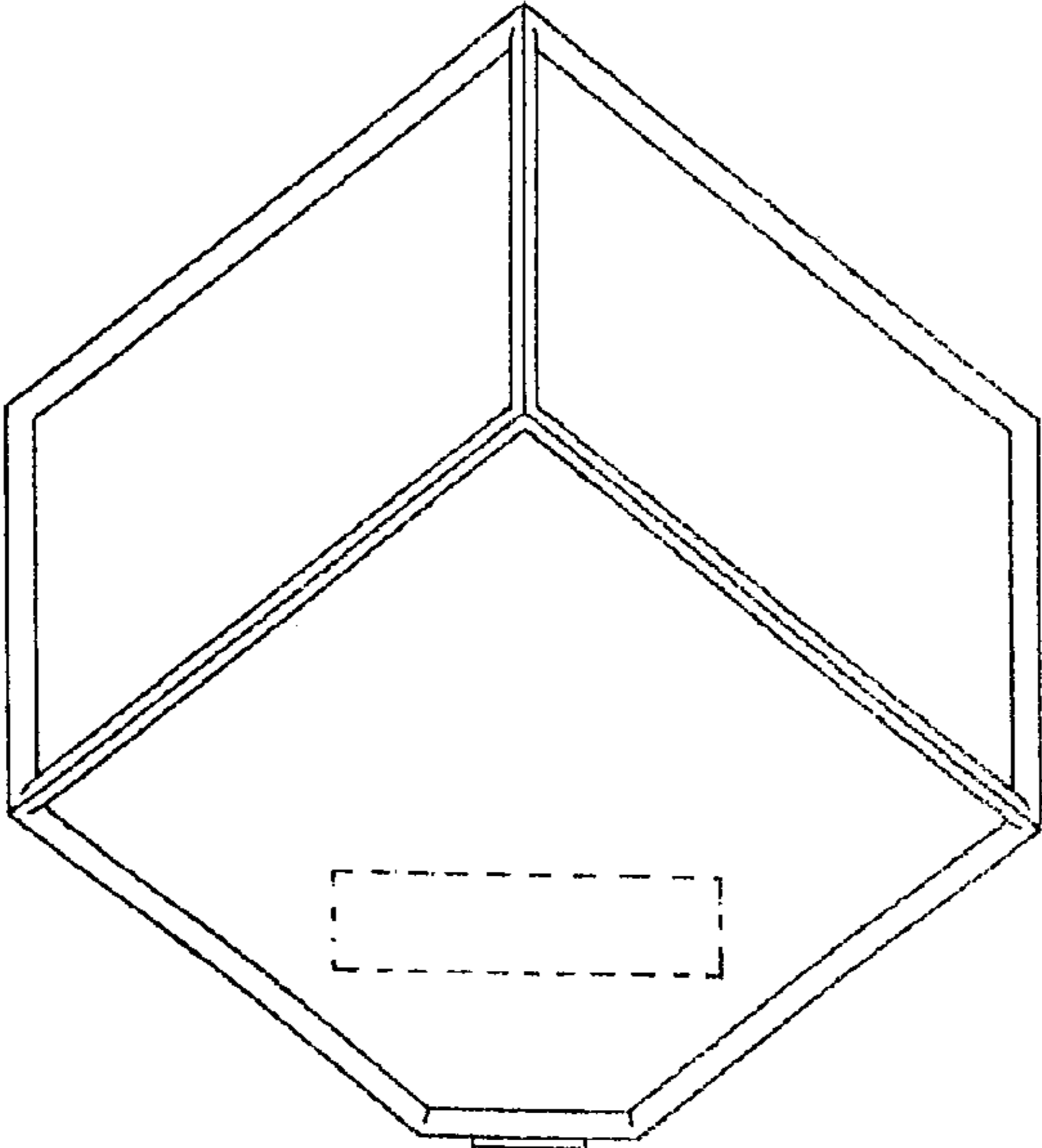


FIG. 2

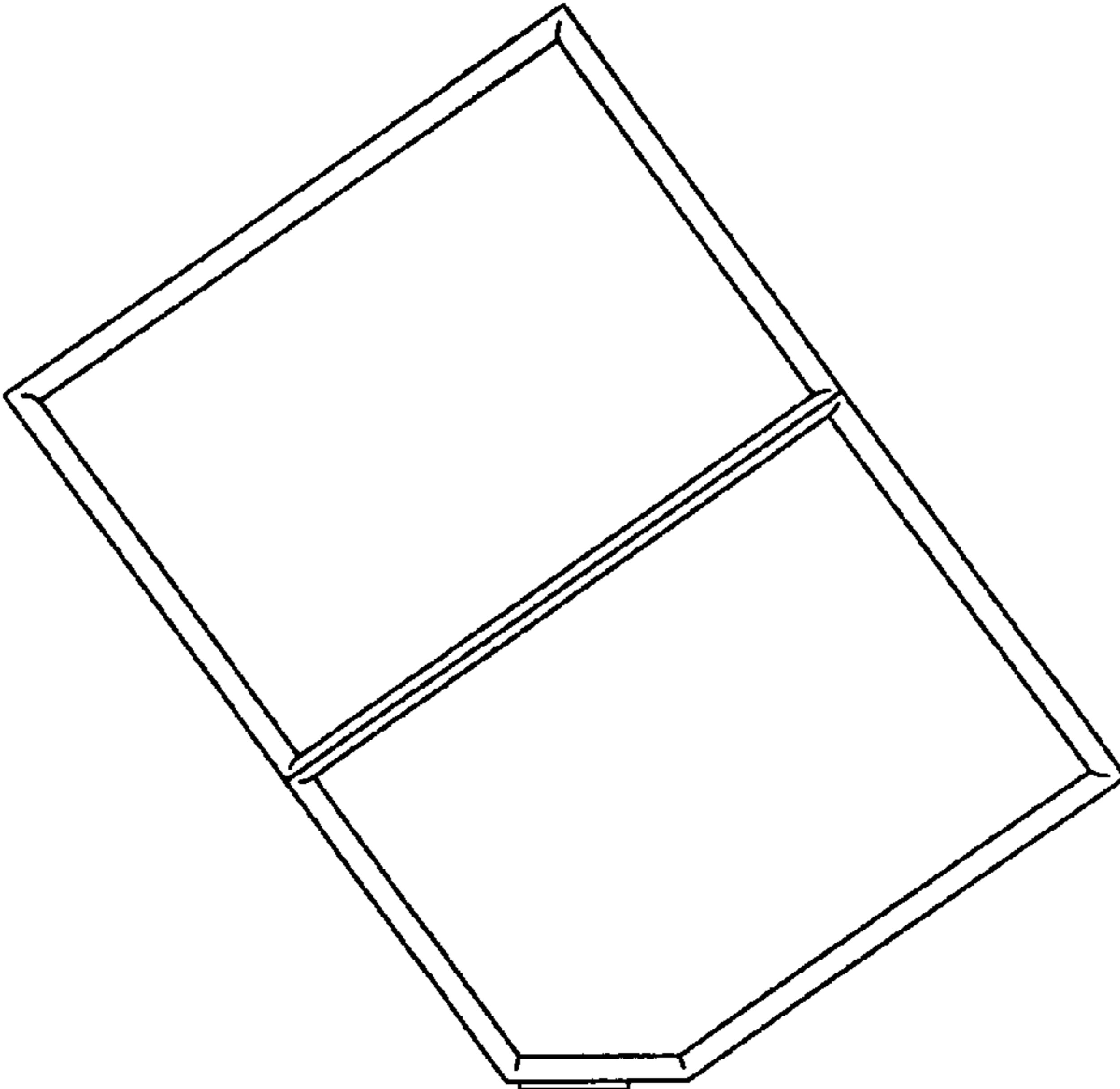


FIG. 3

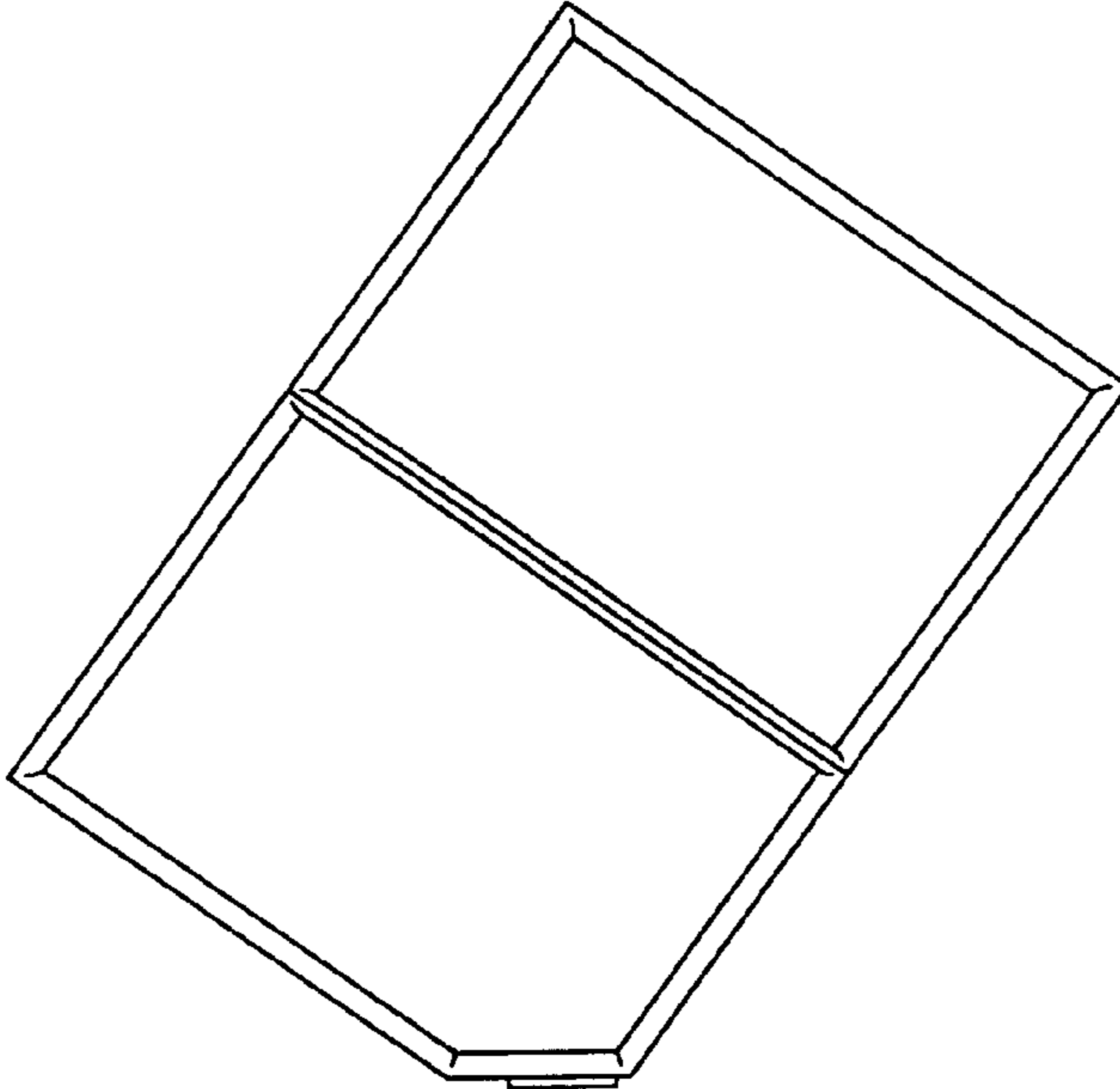


FIG. 4

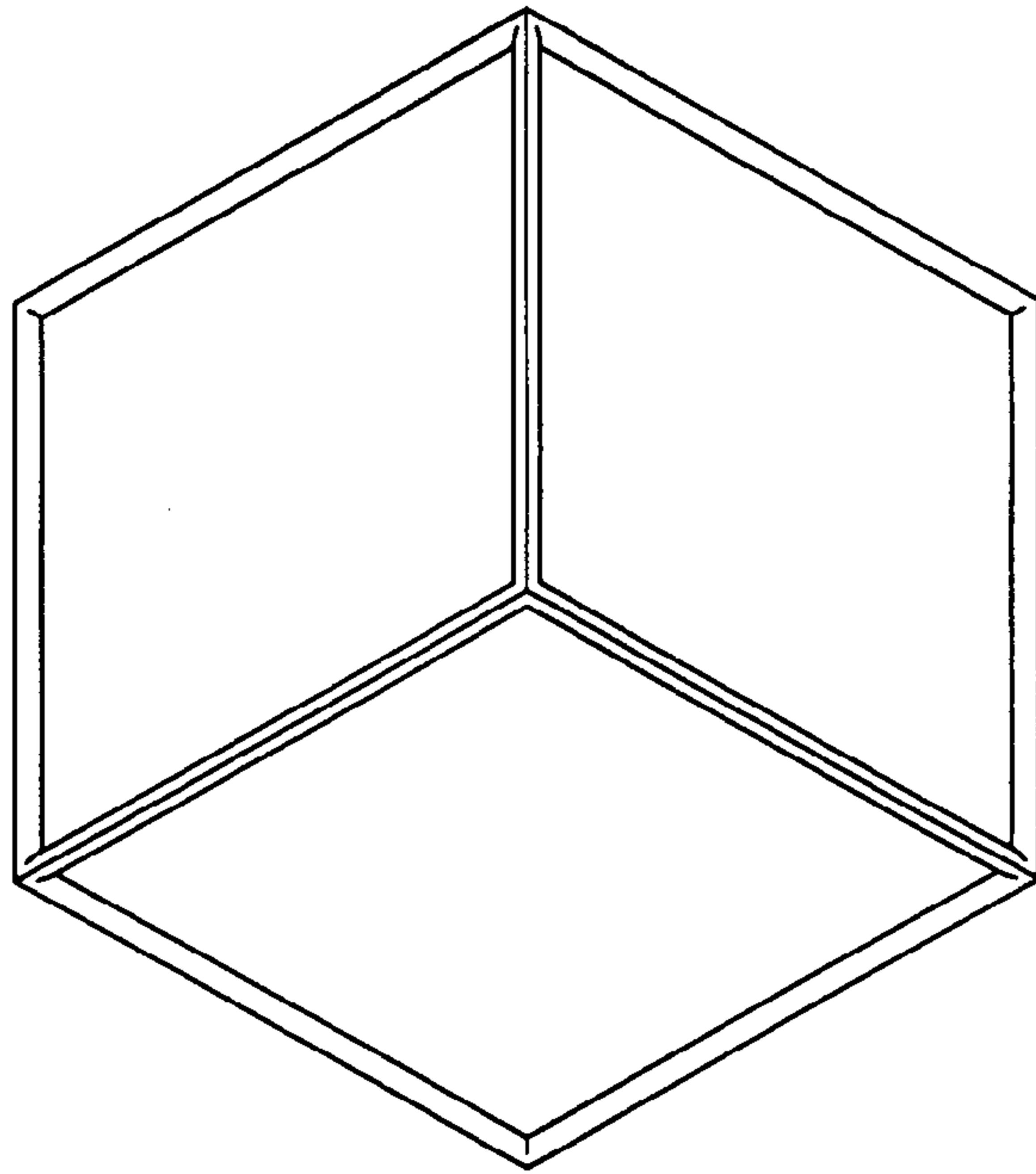


FIG. 5

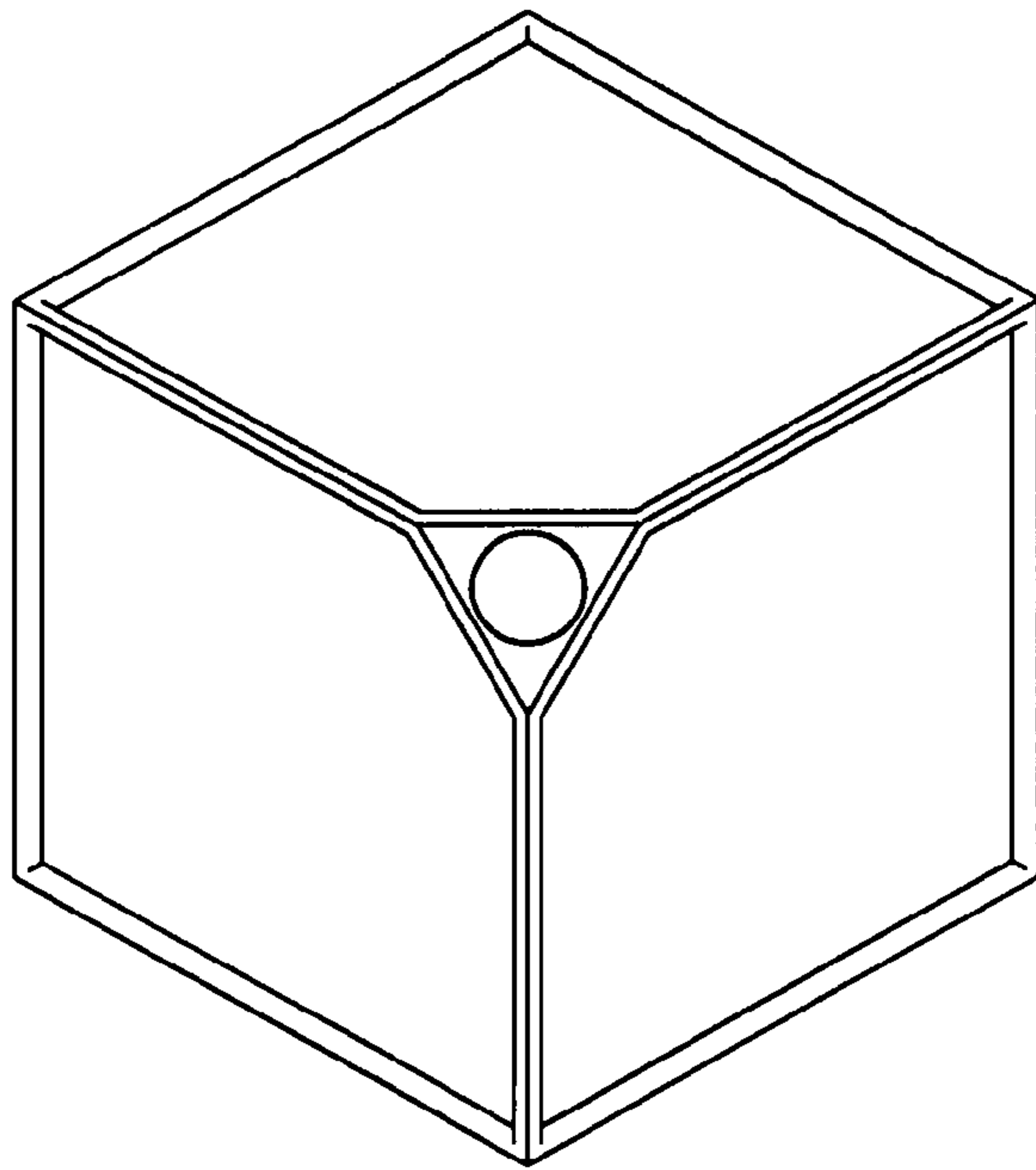


FIG. 6

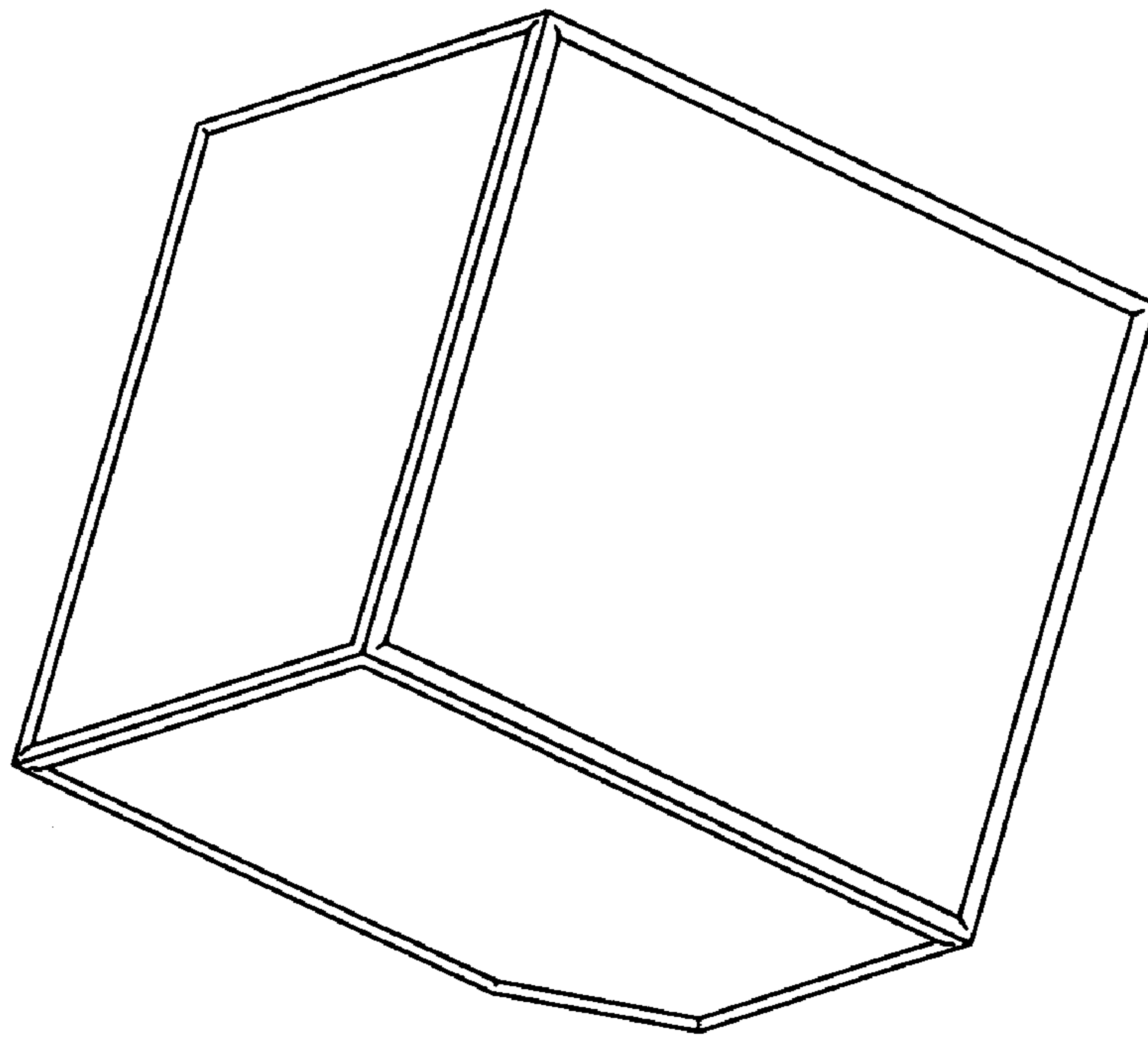


FIG. 7