



US00D587458S

(12) **United States Design Patent**  
**Nolan**

(10) **Patent No.:** **US D587,458 S**

(45) **Date of Patent:** **\*\* Mar. 3, 2009**

(54) **SELF-FEEDING TOOTHBRUSH**

(76) **Inventor:** **Marques Nolan**, 19551 E. 19th Pl.,  
Aurora, CO (US) 80011

(\*\*) **Term:** **14 Years**

(21) **Appl. No.:** **29/310,685**

(22) **Filed:** **Sep. 5, 2008**

(51) **LOC (9) Cl.** ..... **04-02**

(52) **U.S. Cl.** ..... **D4/108**

(58) **Field of Classification Search** ..... D4/104-112,  
D4/114, 132-134, 138; 15/167.1, 167.2,  
15/188; 132/308, 309, 311

See application file for complete search history.

(56) **References Cited**

**U.S. PATENT DOCUMENTS**

2,652,949	A *	9/1953	Martin	.....	222/95
4,850,730	A *	7/1989	Jimenez et al.	.....	401/184
5,304,009	A *	4/1994	Marshall	.....	401/268
5,339,479	A *	8/1994	Lyman	.....	15/105
D383,609	S *	9/1997	Phillips	.....	D4/108

D426,708	S *	6/2000	Francis	.....	D4/108
6,079,075	A *	6/2000	Velez-Juan	.....	15/167.1
D449,448	S *	10/2001	Ekeoba	.....	D4/108
D504,018	S *	4/2005	Miller	.....	D4/108

\* cited by examiner

*Primary Examiner*—Melanie H Tung

*Assistant Examiner*—Lavone D Tabor

(74) *Attorney, Agent, or Firm*—Richard L. Mikesell

(57) **CLAIM**

The ornamental design for a self-feeding toothbrush, as shown and described.

**DESCRIPTION**

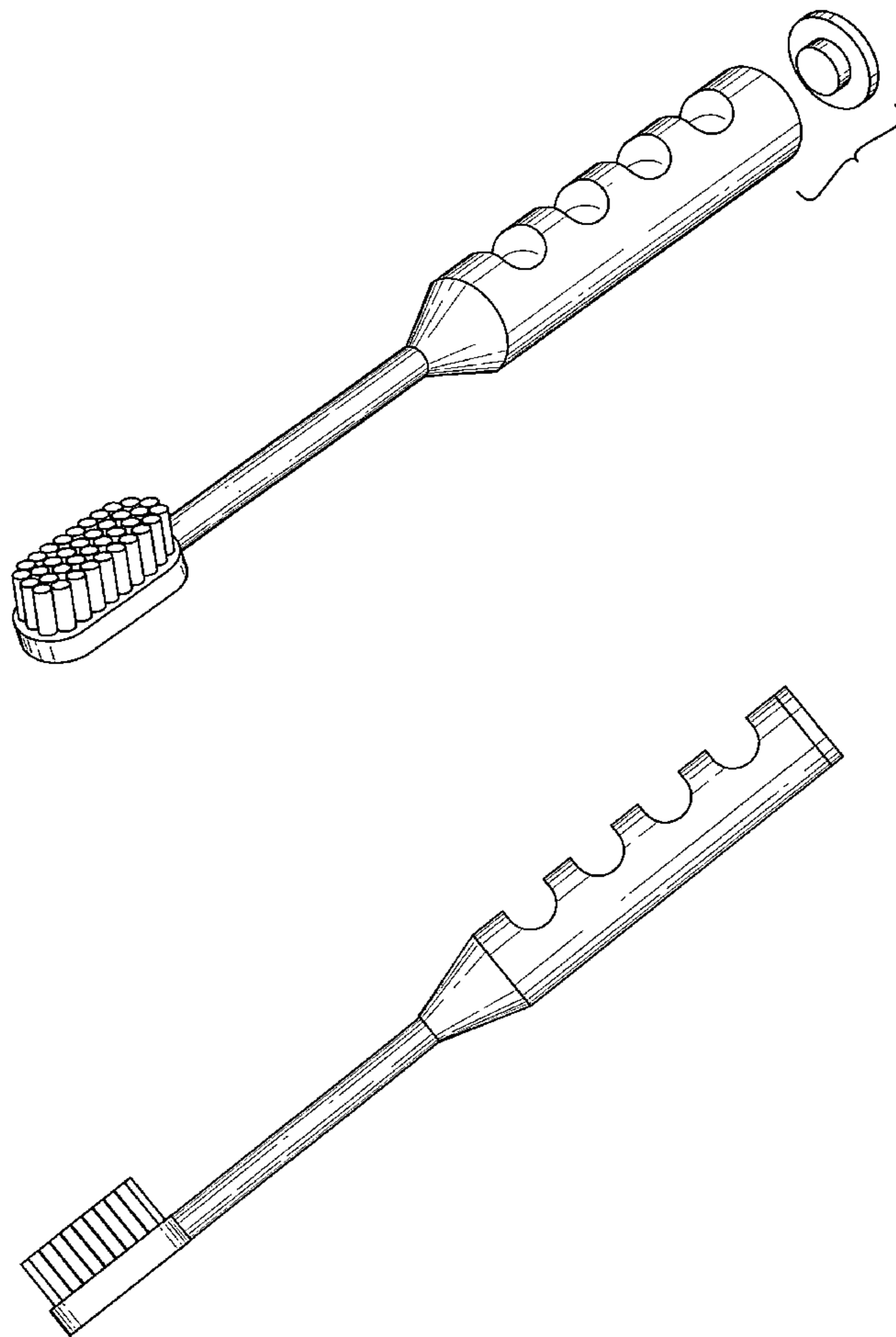
FIG. 1 is an exploded perspective view of the top, left side, and front end a self-feeding toothbrush showing my new design;

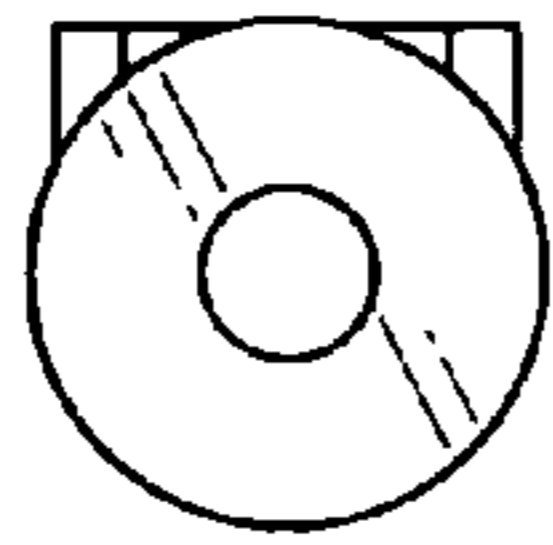
FIG. 2 is an assembled left side elevation view thereof; and,

FIG. 3 is a rear end elevation view thereof.

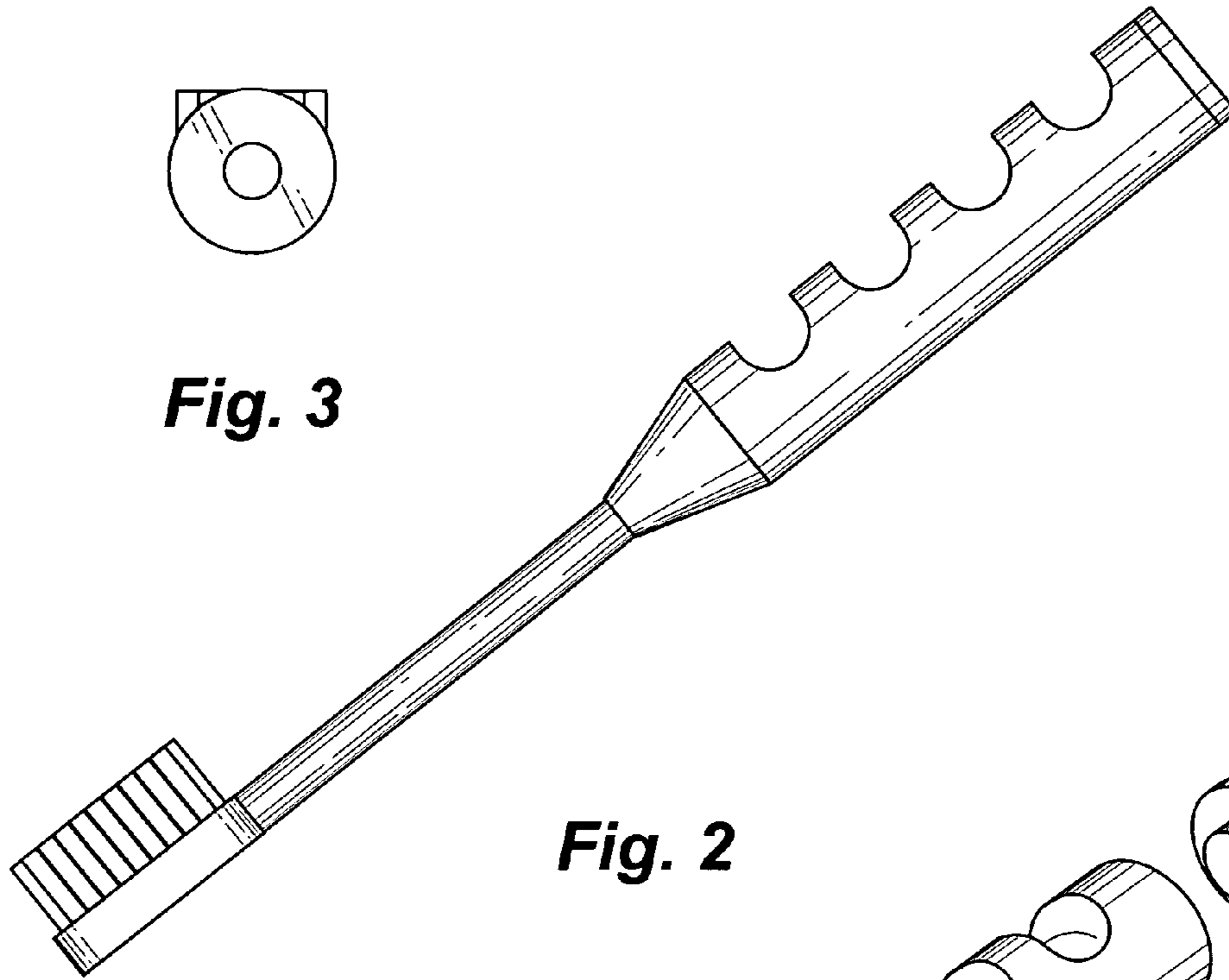
The right side is a mirror image to the left side.

**1 Claim, 1 Drawing Sheet**

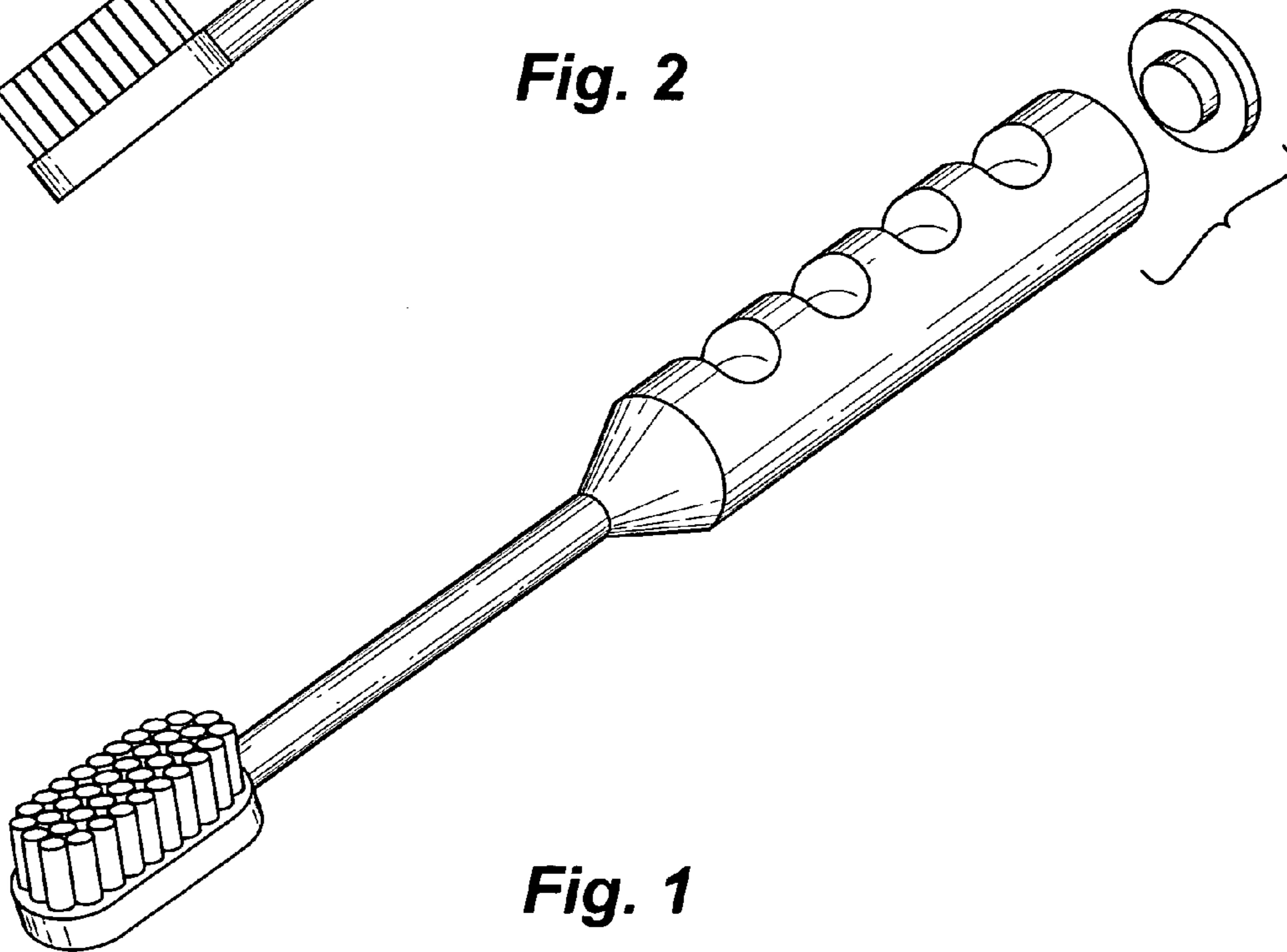




**Fig. 3**



**Fig. 2**



**Fig. 1**