



US00D587455S

(12) **United States Design Patent**  
**Goss**

(10) **Patent No.:** **US D587,455 S**  
(45) **Date of Patent:** **\*\* Mar. 3, 2009**

(54) **LAPTOP COMPUTER CARRIER**

2008/0198543 A1\* 8/2008 Lord ..... 361/683

(76) Inventor: **Serena Goss**, 7072 Somerset Cir., La  
Palma, CA (US) 90623

FOREIGN PATENT DOCUMENTS

FR 2641955 A1 \* 7/1990

\* cited by examiner

(\*\*) Term: **14 Years**

*Primary Examiner*—T. Chase Nelson  
*Assistant Examiner*—Roselyne Cody  
(74) *Attorney, Agent, or Firm*—William L. Chapin

(21) Appl. No.: **29/294,282**

(22) Filed: **Jan. 2, 2008**

(57) **CLAIM**

(51) **LOC (9) Cl.** ..... **03-01**

(52) **U.S. Cl.** ..... **D3/315**

(58) **Field of Classification Search** ..... D3/201,  
D3/259, 315, 327–328, 299, 316–317; 224/250;  
294/156–157, 167; 361/683

The ornamental design for a laptop computer carrier, as shown and described.

See application file for complete search history.

**DESCRIPTION**

(56) **References Cited**

U.S. PATENT DOCUMENTS

1,462,831	A *	7/1923	Schuman	.....	294/165
3,806,011	A *	4/1974	Meek et al.	.....	294/165
4,895,295	A *	1/1990	Montgomery et al.	.....	294/165
5,484,182	A *	1/1996	Meisner	.....	294/165
D368,372	S *	4/1996	Dennison	.....	D3/327
5,645,307	A *	7/1997	Wengler	.....	294/157
5,752,733	A *	5/1998	Marshall	.....	294/154
D460,620	S *	7/2002	Smithey	.....	D3/315
6,449,815	B1 *	9/2002	Spiller	.....	24/306
6,684,667	B2 *	2/2004	Young	.....	70/18
D522,244	S *	6/2006	Toler et al.	.....	D3/318
D524,543	S *	7/2006	Toler et al.	.....	D3/318
2007/0205236	A1 *	9/2007	Partusch	.....	224/250
2008/0043421	A1 *	2/2008	Staples	.....	361/683

FIG. 1 is a front perspective view of the laptop computer carrier in closed position with handle pulled slightly outward in use and with a laptop computer shown in phantom therein; FIG. 2 is a front outer view of the laptop computer carrier open and with handle in non-use position.

FIG. 3 is a left side elevation view thereof, the right side elevation view being a mirror image thereof.

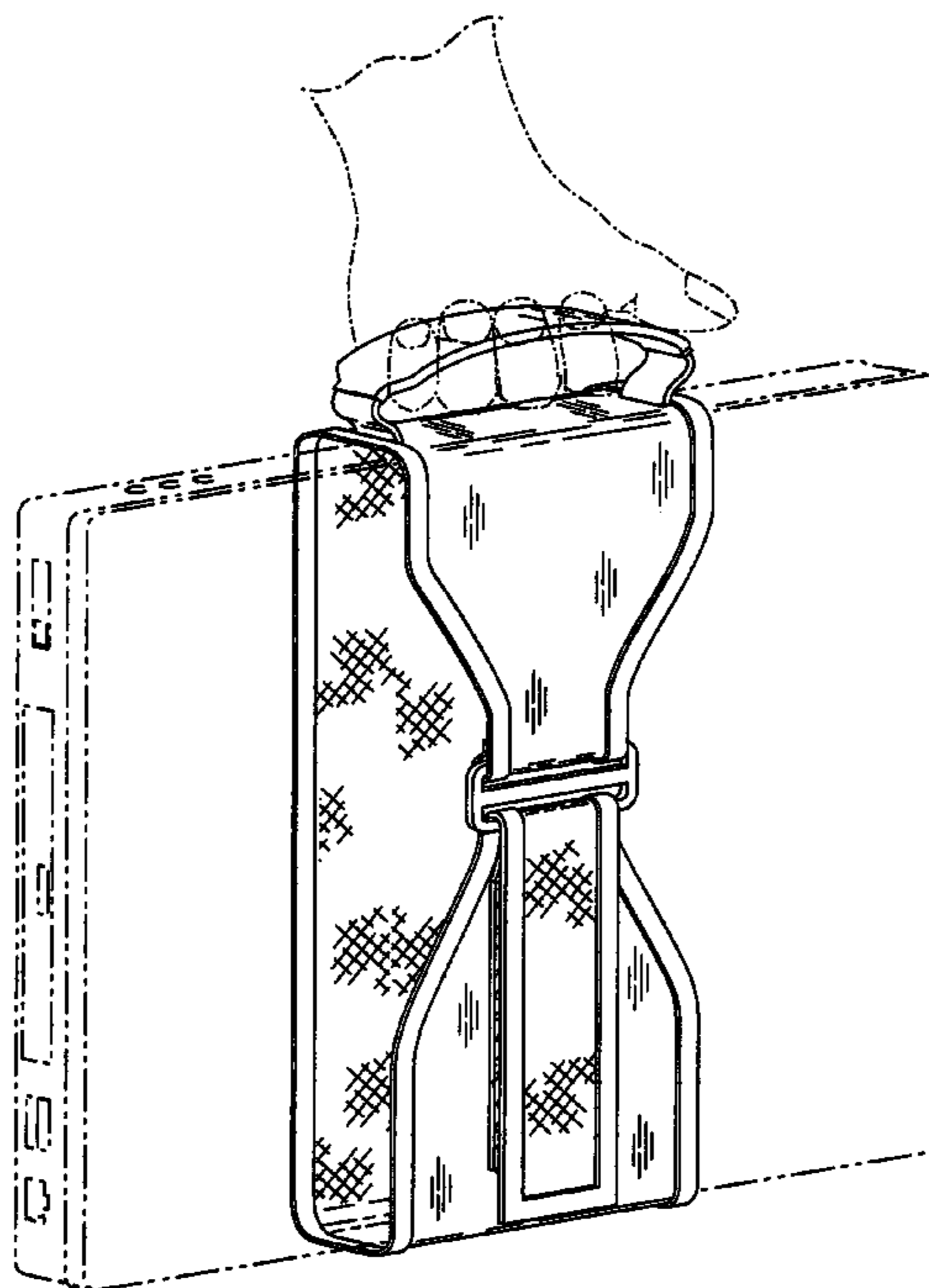
FIG. 4 is a rear, inner elevation view thereof.

FIG. 5 is an upper plan view thereof; and,

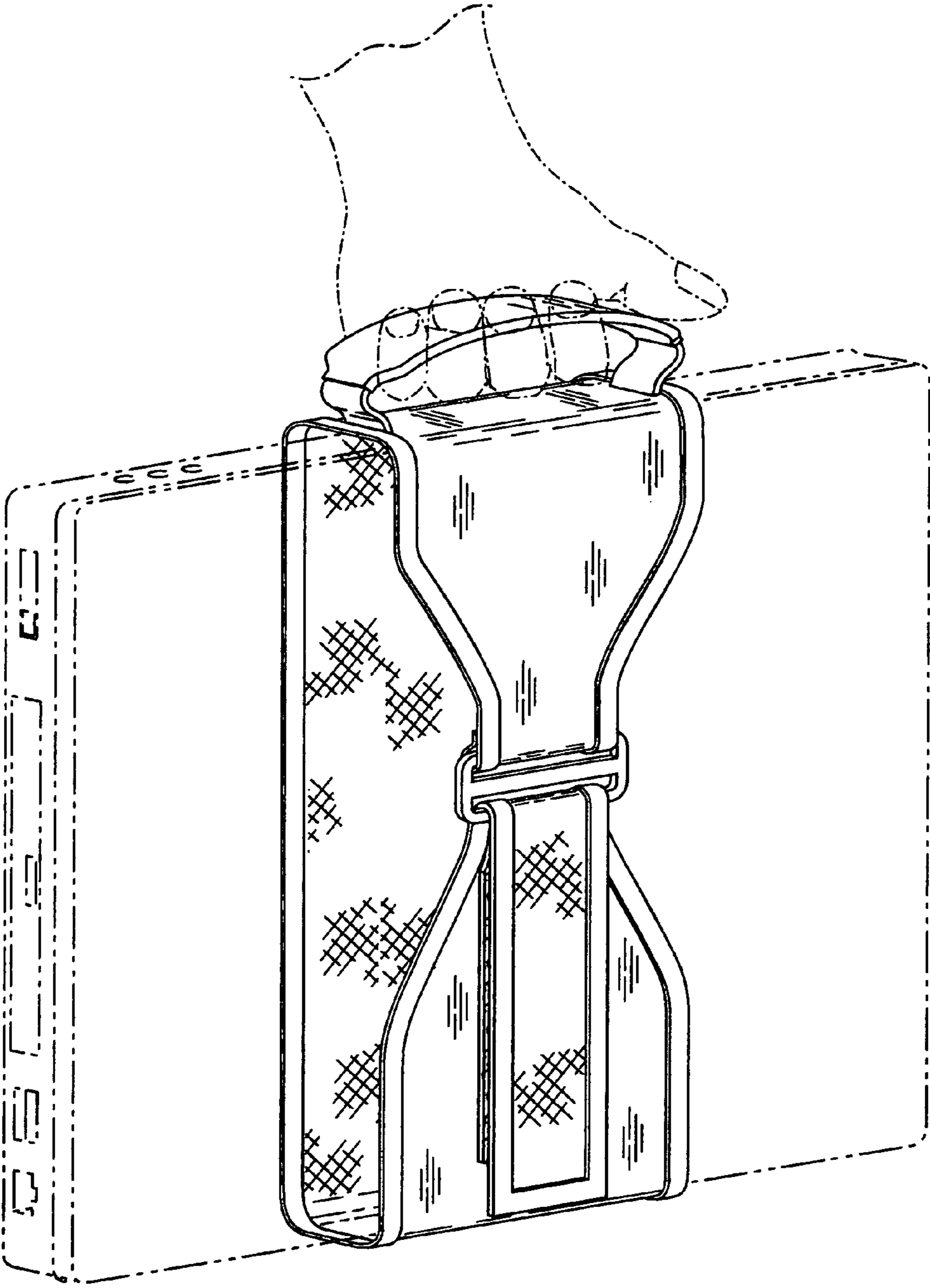
FIG. 6 is a lower plan view thereof.

The broken lines in FIG. 1 are directed to environment only and form no part of the claimed design. The cross hatching shown in FIGS. 1 and 4 represents a pattern or texture—but no particular pattern or texture—different from that on the reverse side of the laptop computer carrier. This pattern or texture is part of the claimed design.

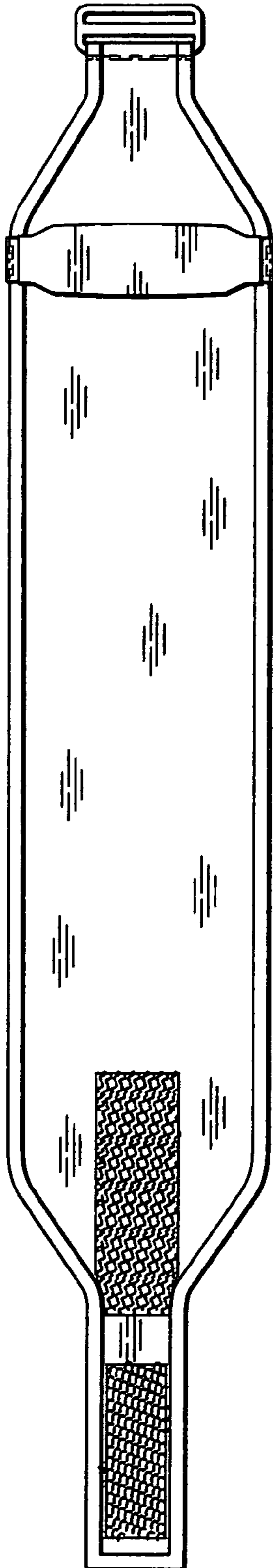
**1 Claim, 3 Drawing Sheets**



**Fig. 1**



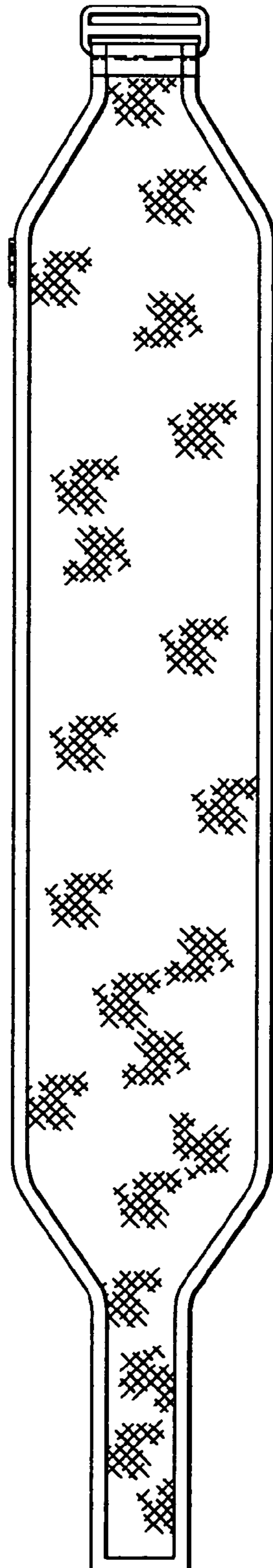
**Fig. 2**



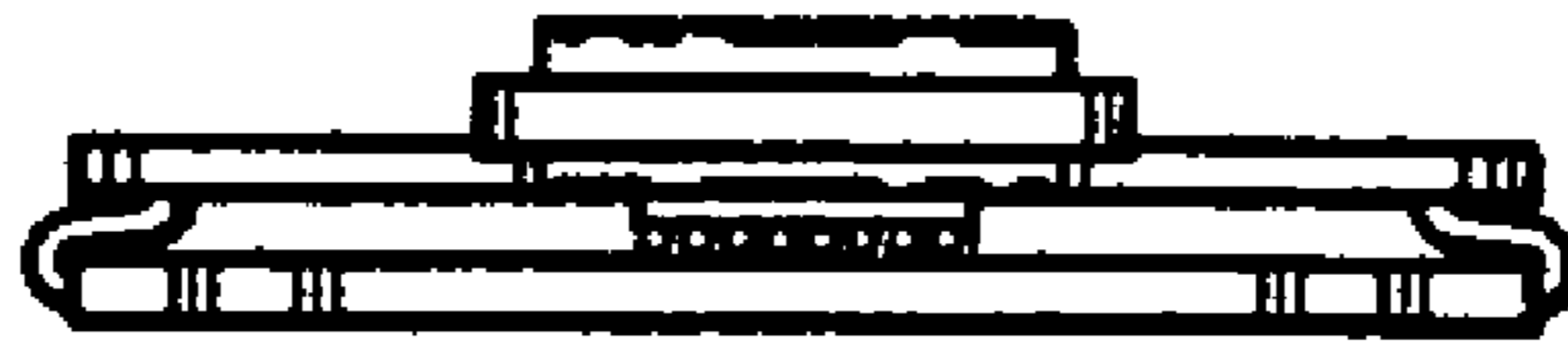
**Fig. 3**



**Fig. 4**



***Fig. 5***



***Fig. 6***

