



US00D587443S

(12) **United States Design Patent**
Dillenbeck

(10) **Patent No.:** **US D587,443 S**
(45) **Date of Patent:** **** Mar. 3, 2009**

(54) **FOOTWEAR UPPER**

D553,842 S * 10/2007 Paz D2/972
D574,591 S * 8/2008 Belley et al. D2/969

(75) Inventor: **Ryan Dillenbeck**, Santa Barbara, CA
(US)

(73) Assignee: **Deckers Outdoor Corporation**, Goleta,
CA (US)

(**) Term: **14 Years**

(21) Appl. No.: **29/293,194**

(22) Filed: **Nov. 10, 2007**

(51) **LOC (9) Cl.** **02-99**

(52) **U.S. Cl.** **D2/969**

(58) **Field of Classification Search** D2/896,
D2/902, 906-908, 943, 944, 969, 972-974;
36/45, 50.1, 77 M, 77 R, 83, 88, 113, 114,
36/126-131

See application file for complete search history.

(56) **References Cited**

U.S. PATENT DOCUMENTS

D383,287 S * 9/1997 Van Noy D2/969
D467,720 S * 12/2002 Patt D2/972
D529,707 S * 10/2006 Shaffer D2/972
D533,987 S * 12/2006 Matis et al. D2/969
D536,519 S * 2/2007 Caine D2/969
D541,518 S * 5/2007 Rasmussen D2/972
D545,550 S * 7/2007 Matis et al. D2/969
D547,936 S * 8/2007 Masullo D2/969
D553,339 S * 10/2007 Fogg D2/969
D553,346 S * 10/2007 Dekovic D2/972

OTHER PUBLICATIONS

Teva Spring 2000 Catalog (Style Nos. 6650 and 6651 on p. 4).
Teva 2001 Catalog (Style Nos. 6621, 6632 and 6638 on p. 12).
Teva Fall 2001 Catalog (Style No. 6632).
Teva Autumn/Winter 2004 Catalog (Style Nos. 6761 and 6881 on p. 5).

* cited by examiner

Primary Examiner—Dominic Simone

(74) *Attorney, Agent, or Firm*—Greer, Burns & Crain, Ltd.

(57) **CLAIM**

The ornamental design for a footwear upper, as shown and described.

DESCRIPTION

FIG. 1 is a top, right perspective view of a footwear upper showing my new design.

FIG. 2 is a right side elevational view thereof.

FIG. 3 is a left side elevational view thereof.

FIG. 4 is a front elevational view thereof.

FIG. 5 is a rear elevational view thereof.

FIG. 6 is a bottom plan view thereof; and,

FIG. 7 is a top plan view thereof.

The broken lines showing the other footwear features are for the purpose of illustrating environmental structure and form no part of the claimed design.

1 Claim, 6 Drawing Sheets

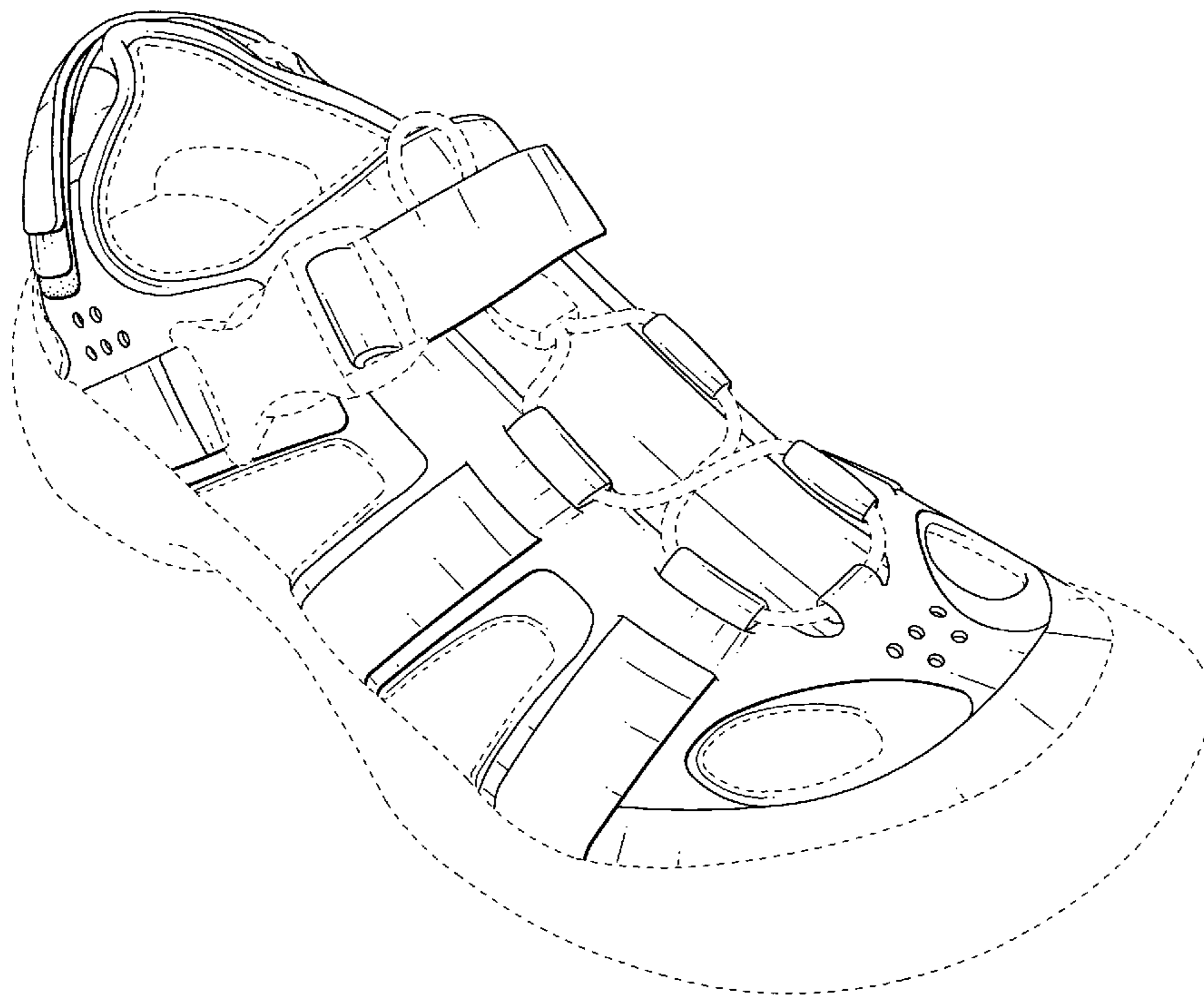
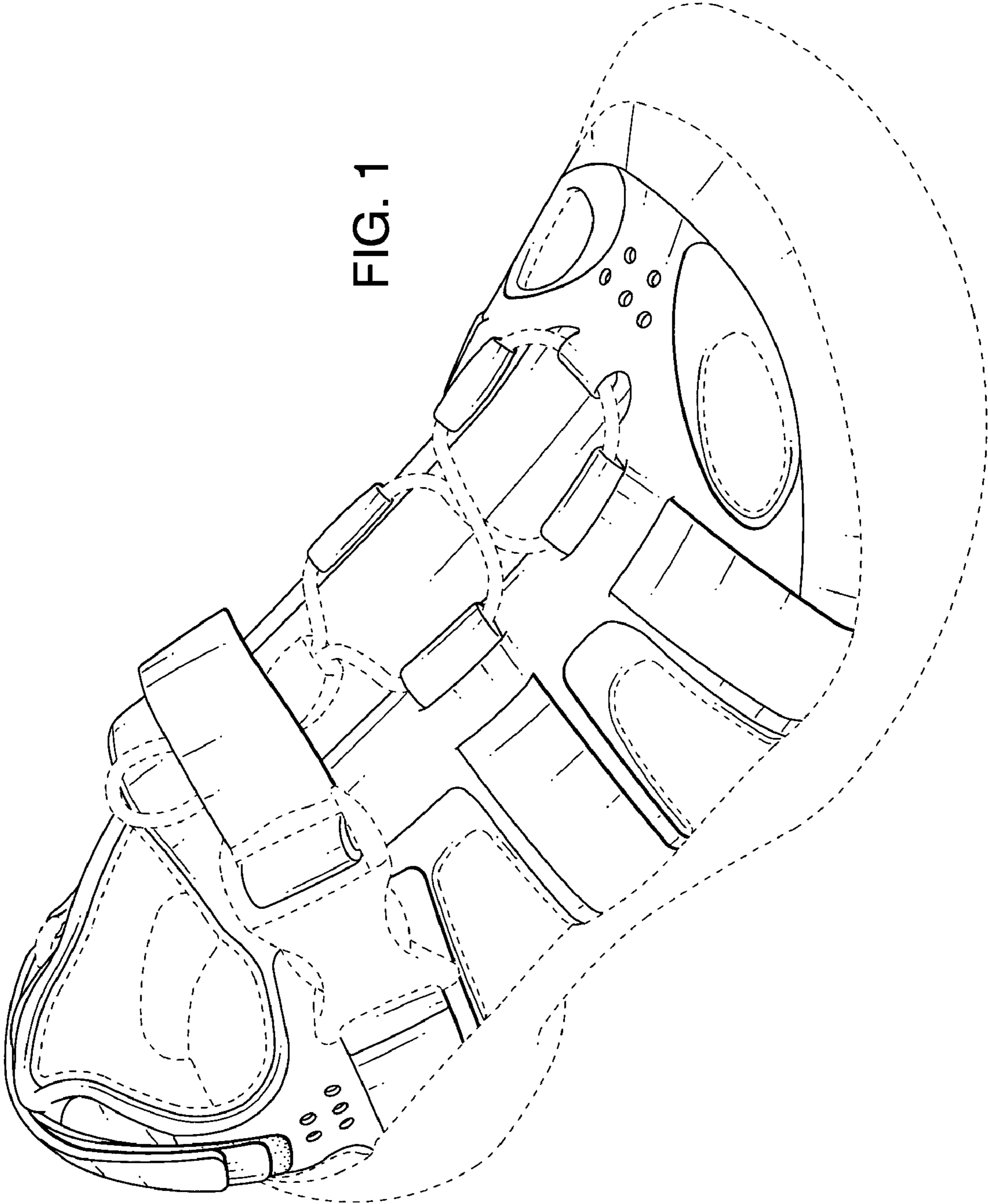


FIG. 1



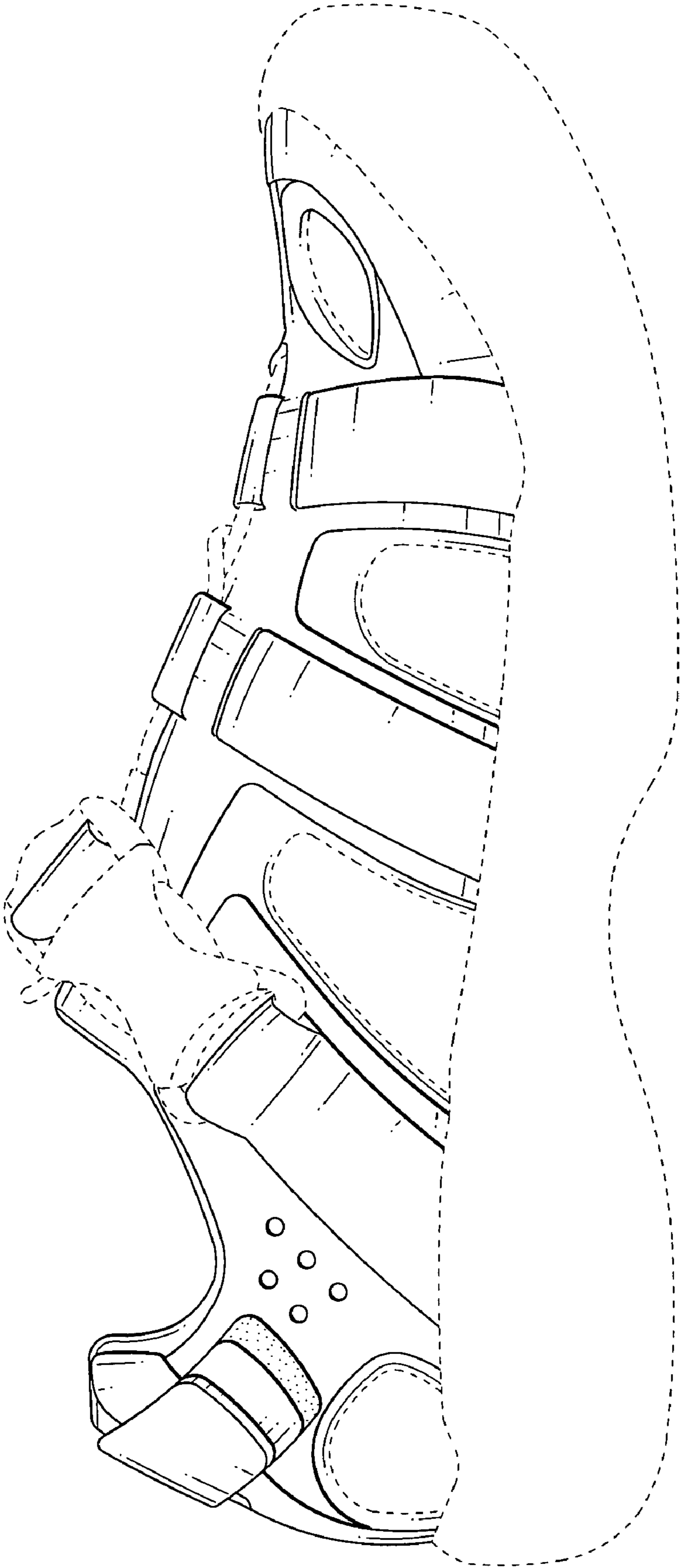


FIG. 2

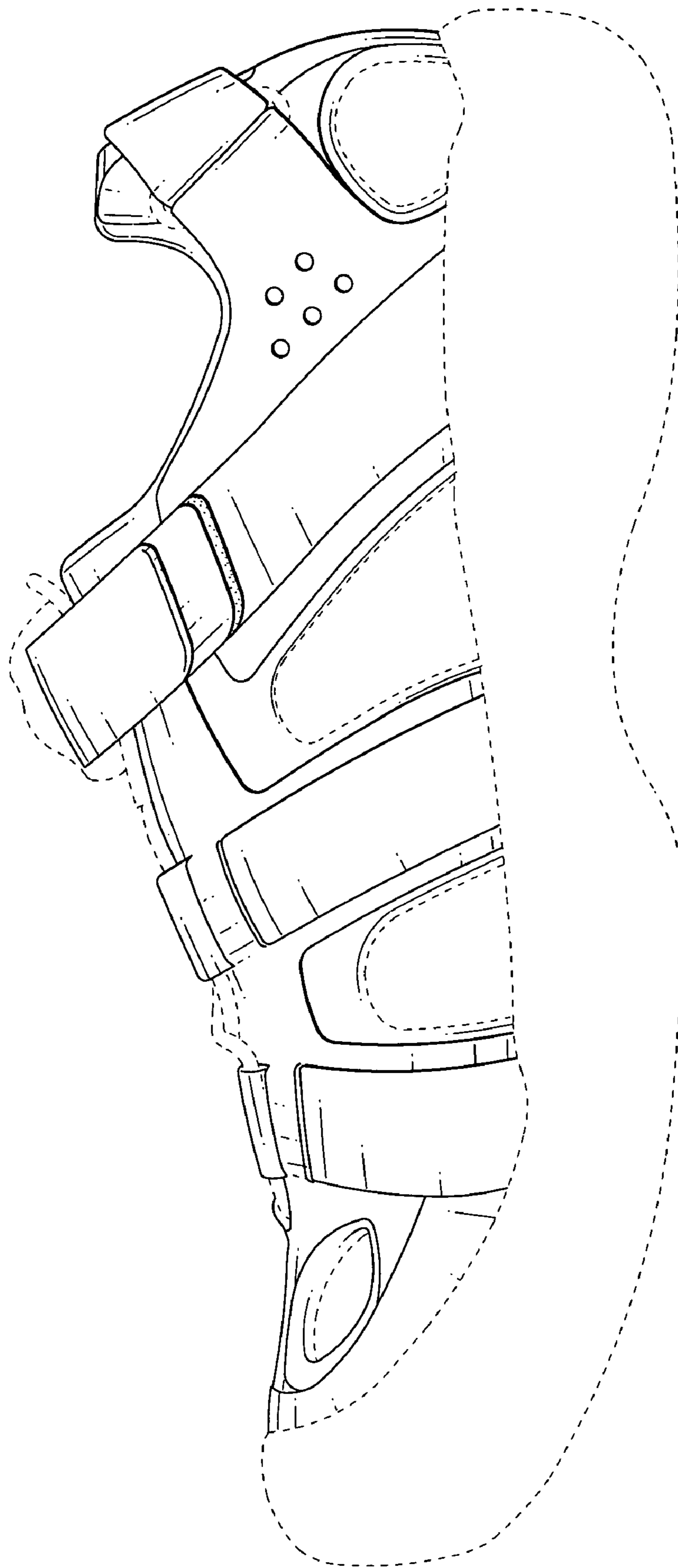


FIG. 3

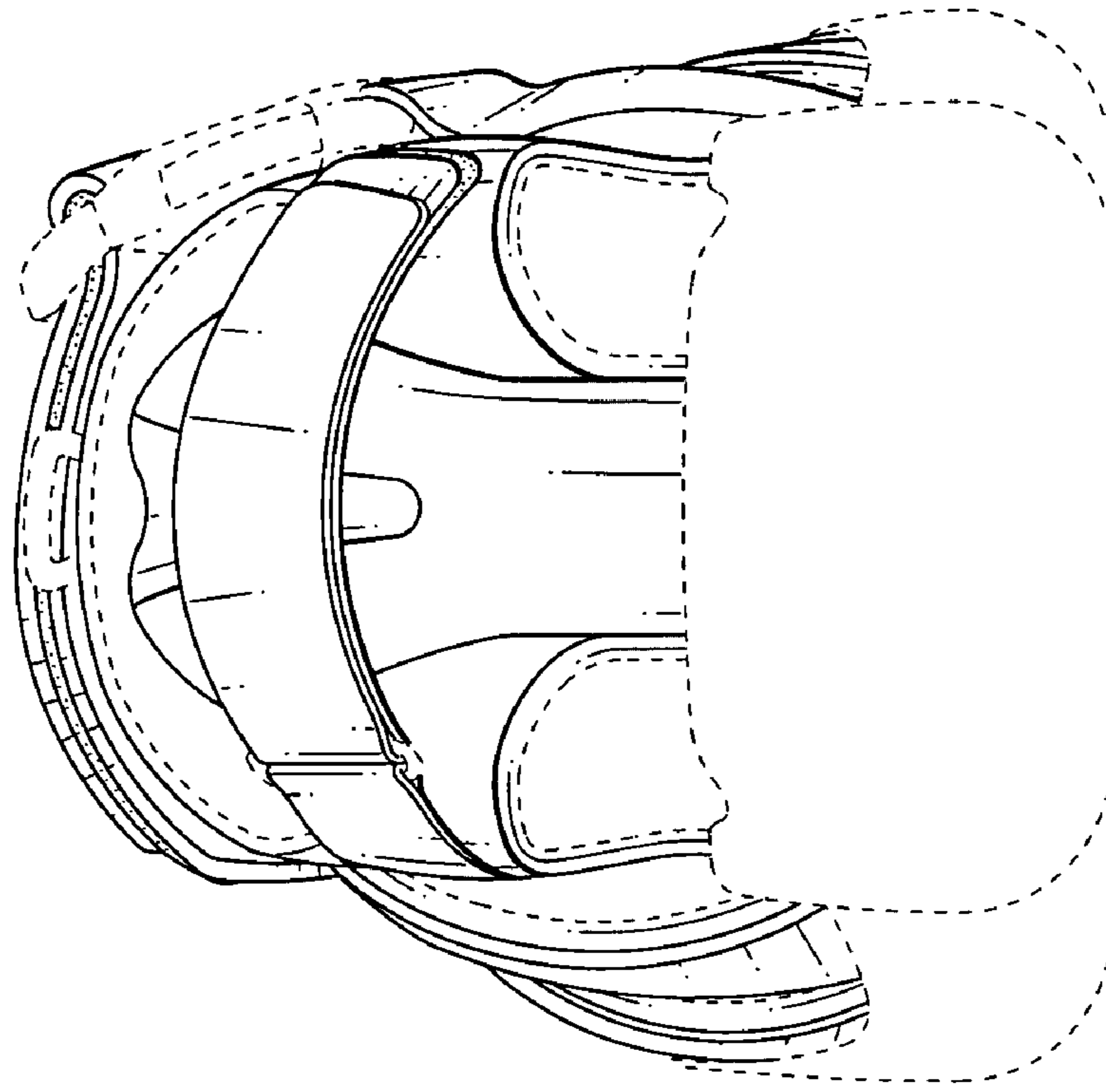


FIG. 5

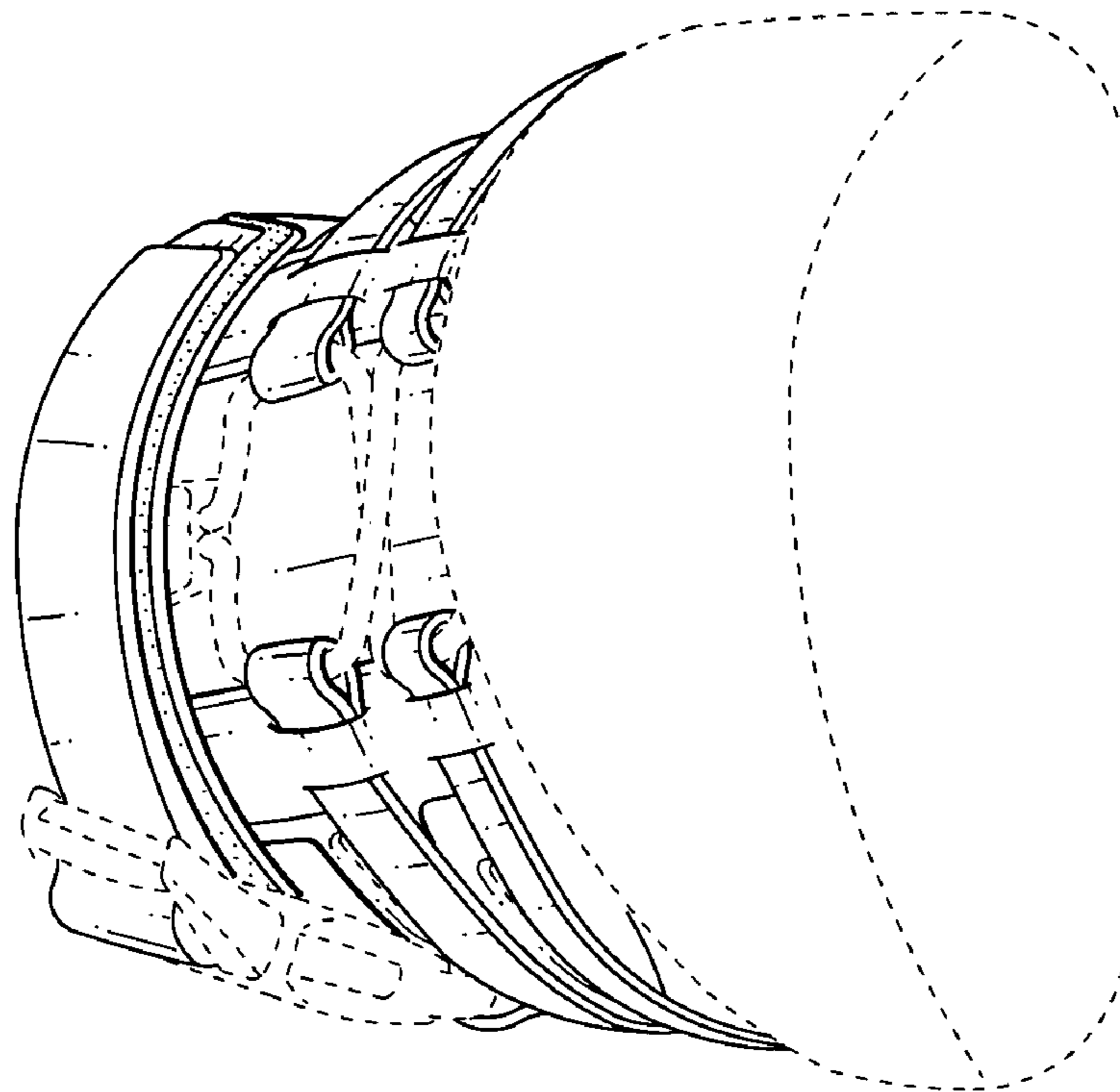


FIG. 4

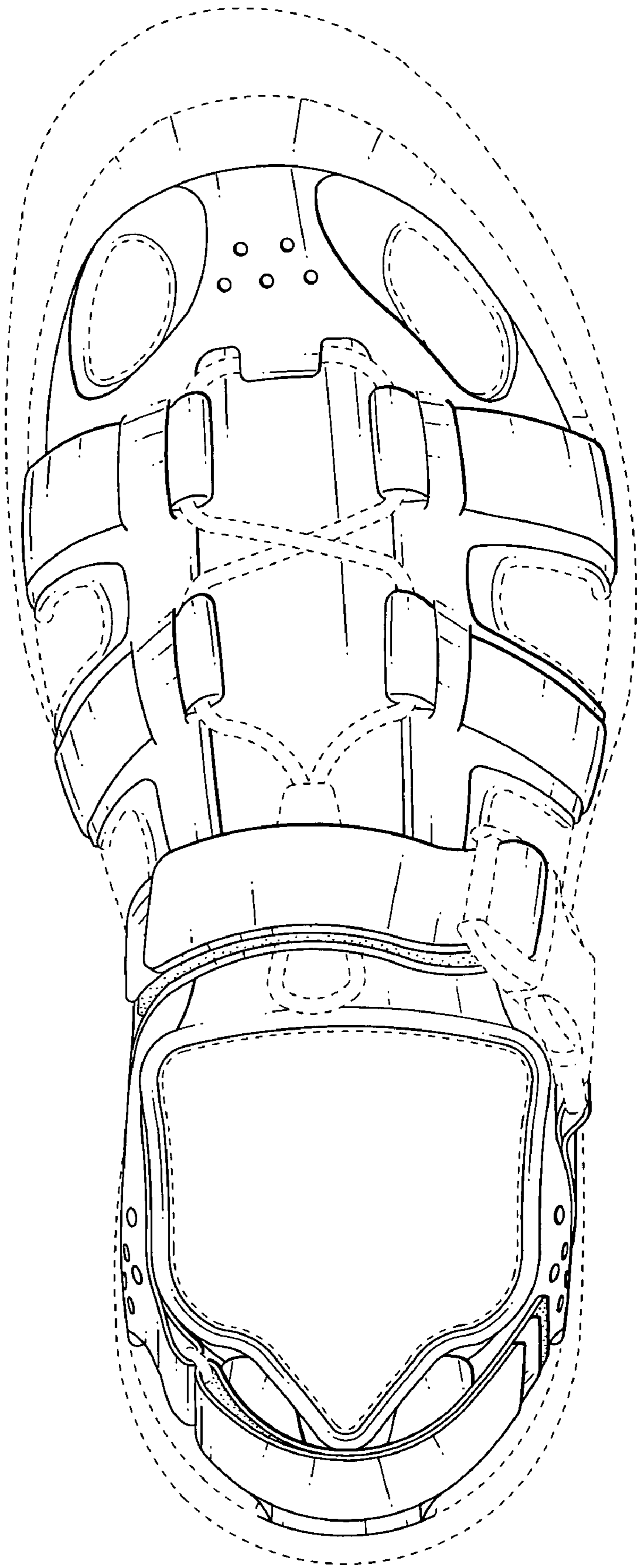


FIG. 6

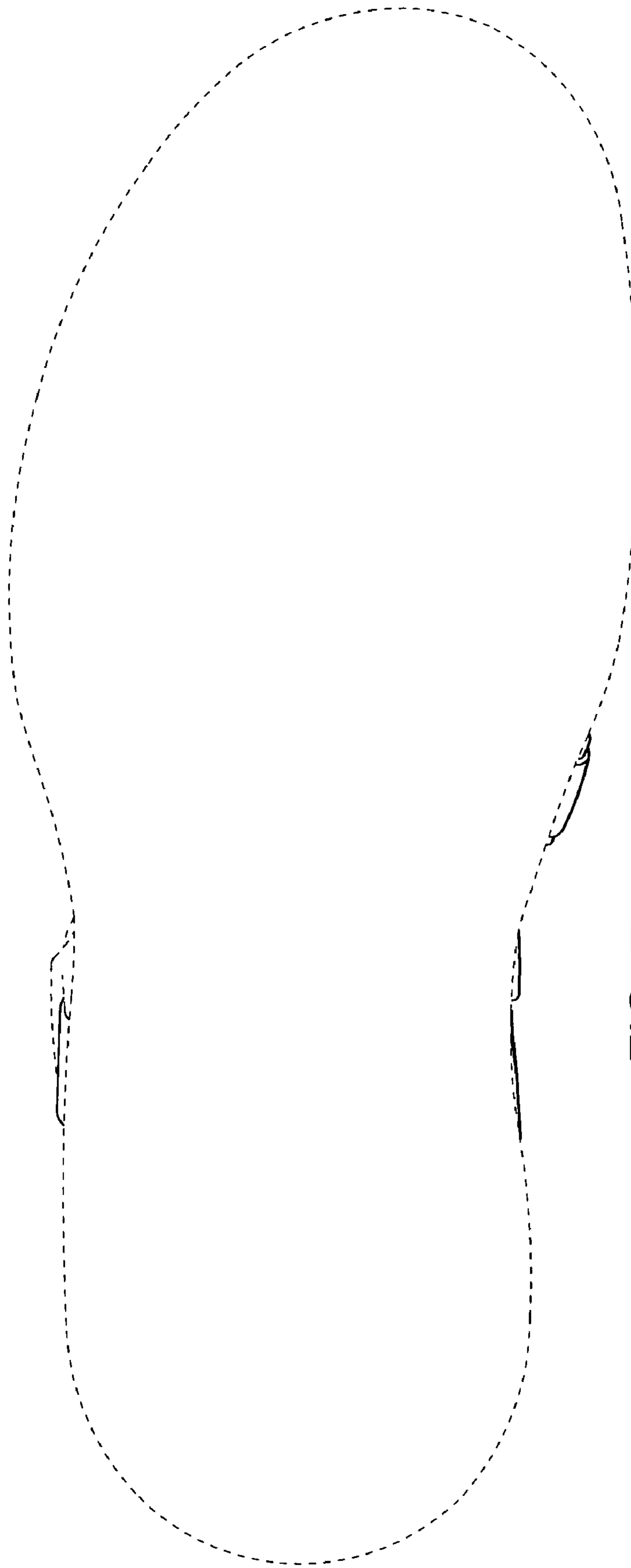


FIG. 7