



US00D587425S

(12) **United States Design Patent**
Mori et al.

(10) **Patent No.:** **US D587,425 S**
(45) **Date of Patent:** **** Feb. 24, 2009**

(54) **FORKLIFT TRUCK**
(75) Inventors: **Hiroki Mori**, Kariya (JP); **Tomomichi Miura**, Kariya (JP); **Masanori Shinoda**, Kariya (JP); **Takahito Miyake**, Kariya (JP)
(73) Assignee: **Kabushiki Kaisha Toyota Jidoshokki**, Kariya-shi (JP)

D518,268 S 3/2006 Stark
D526,460 S 8/2006 Goto et al.
D551,423 S 9/2007 Kodama et al.
D555,872 S 11/2007 Brown
D557,474 S 12/2007 Kouyama et al.
D557,872 S * 12/2007 Mori et al. D34/35
D576,775 S * 9/2008 Buchmann et al. D34/35
D578,271 S * 10/2008 Mori et al. D34/34

(**) Term: **14 Years**

JP 1053353-2 A 11/1999

(21) Appl. No.: **29/322,985**

FOREIGN PATENT DOCUMENTS

(22) Filed: **Aug. 15, 2008**

Japanese Office Action dated Jan. 5, 2007, Application No. 2006-008551 (without English translation).

Related U.S. Application Data

* cited by examiner

(62) Division of application No. 29/266,916, filed on Sep. 29, 2006.

Primary Examiner—Cynthia E Ramirez
(74) *Attorney, Agent, or Firm*—Morgan & Finnegan, LLP

(51) **LOC (9) Cl.** **12-05**

(57) **CLAIM**

(52) **U.S. Cl.** **D34/34**

The ornamental design for a forklift truck, as shown and described.

(58) **Field of Classification Search** D34/34,
D34/35, 37; 180/89.12, 89.13, 89.17; 187/222,
187/237, 238, 414

DESCRIPTION

See application file for complete search history.

FIG. 1 is a front perspective view of a forklift truck showing our new design;

(56) **References Cited**

U.S. PATENT DOCUMENTS

D412,385 S 7/1999 Murakami et al.
D427,409 S 6/2000 Sato et al.
D444,607 S 7/2001 Yurushi et al.
D448,136 S 9/2001 Yurushi et al.
D452,598 S 12/2001 Sato
D464,784 S 10/2002 Sato
D466,669 S 12/2002 Kraimer et al.
D468,885 S 1/2003 Salin et al.
D471,340 S 3/2003 Shibata et al.
D471,689 S 3/2003 Shibata et al.
D492,831 S 7/2004 Kouyama

FIG. 2 is a rear perspective view thereof;

FIG. 3 is a front view thereof;

FIG. 4 is a rear view thereof;

FIG. 5 is a top plan view thereof;

FIG. 6 is a right side elevational view thereof; and,

FIG. 7 is a left side elevational view thereof.

The bottom plan view is omitted since this article is a heavy item.

1 Claim, 6 Drawing Sheets

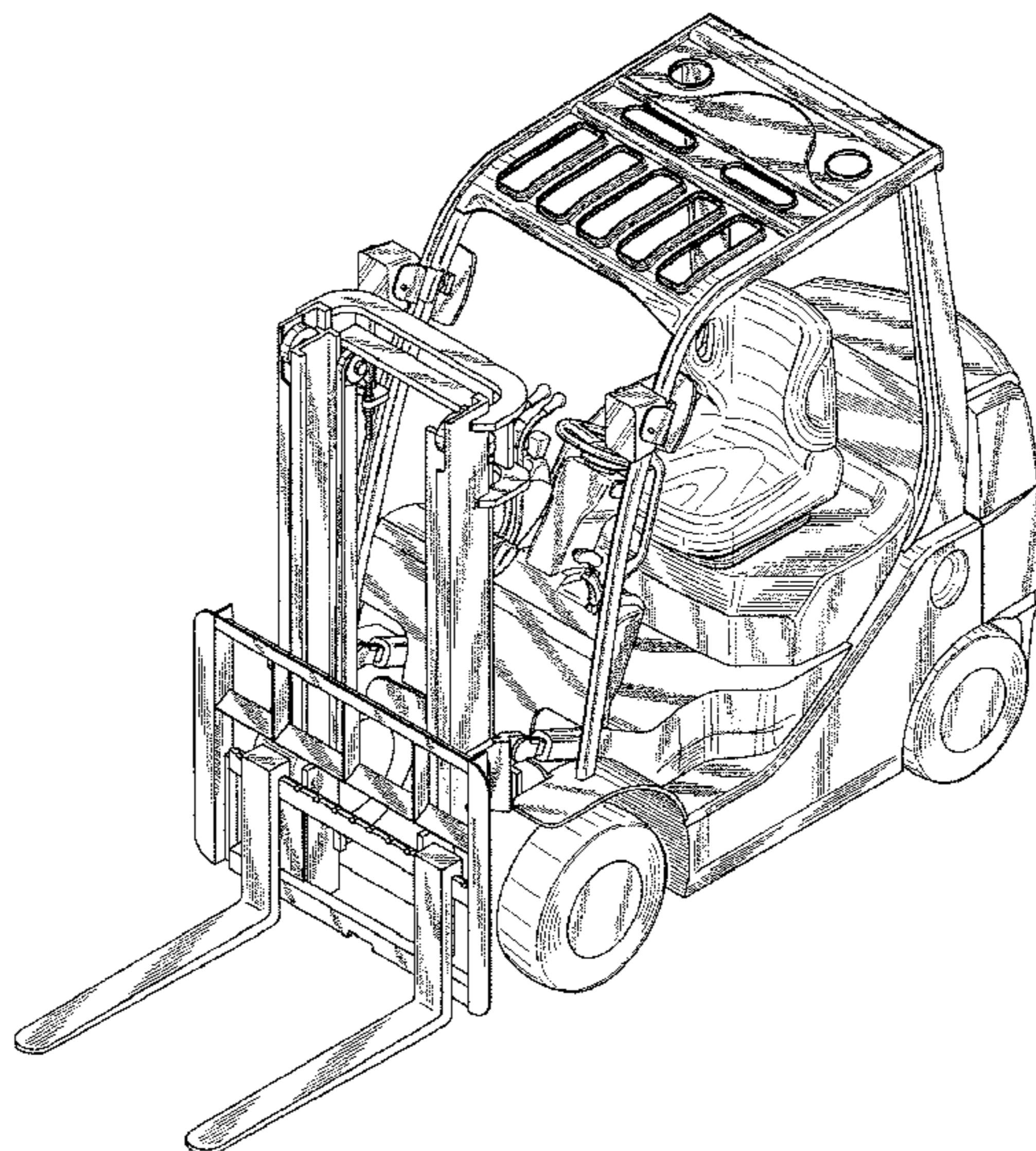


FIG. 1

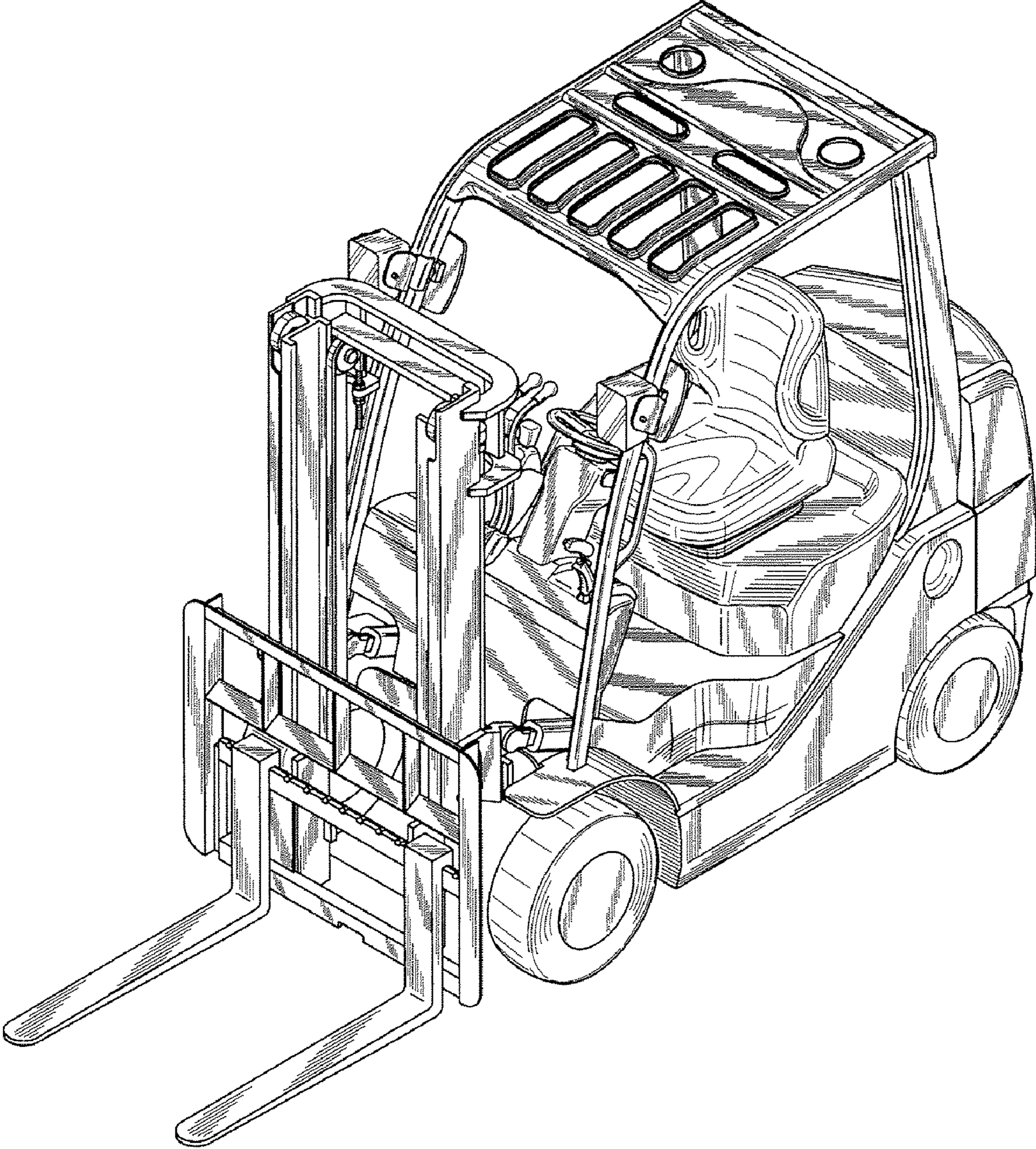


FIG. 2

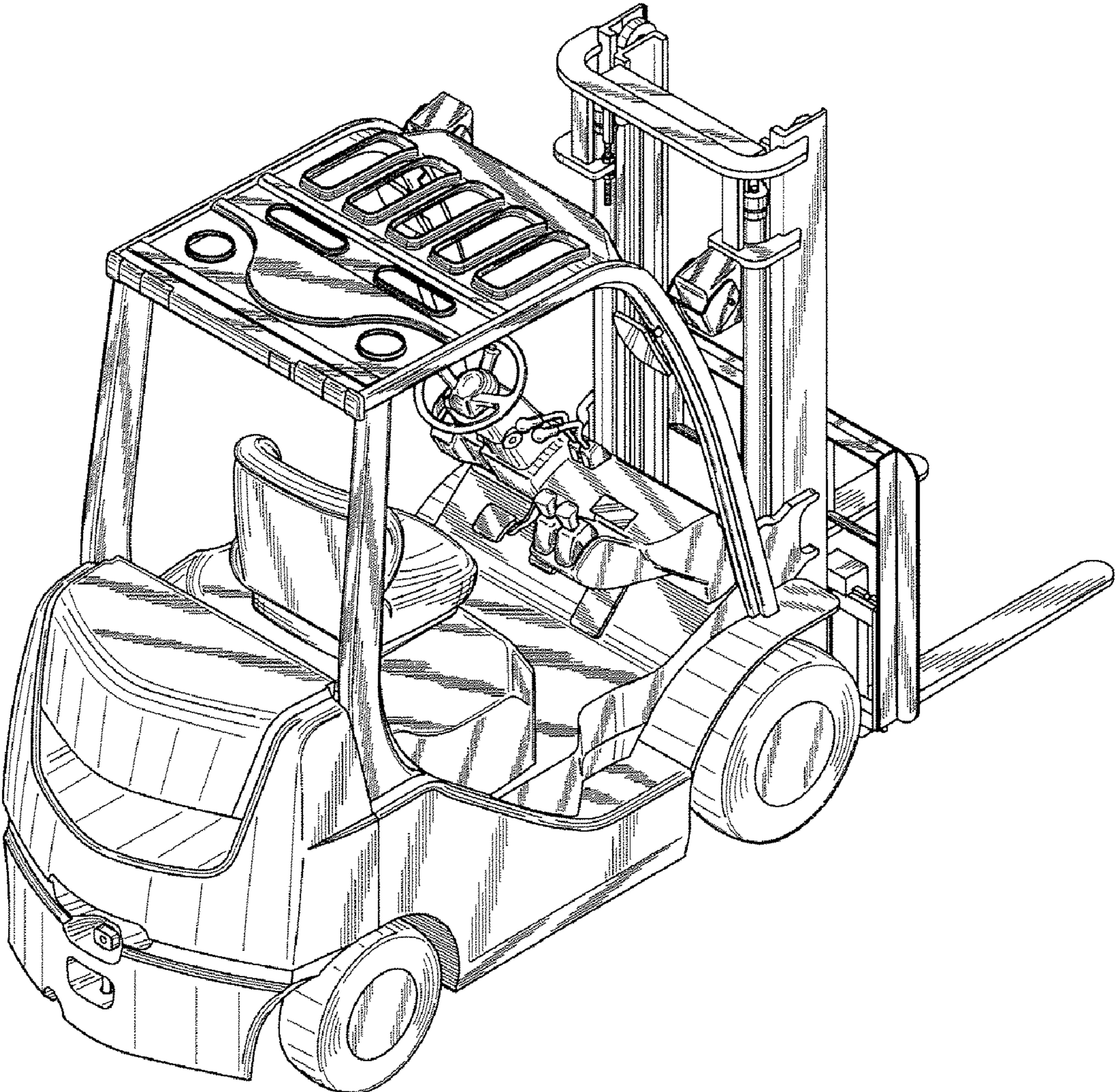


FIG. 3

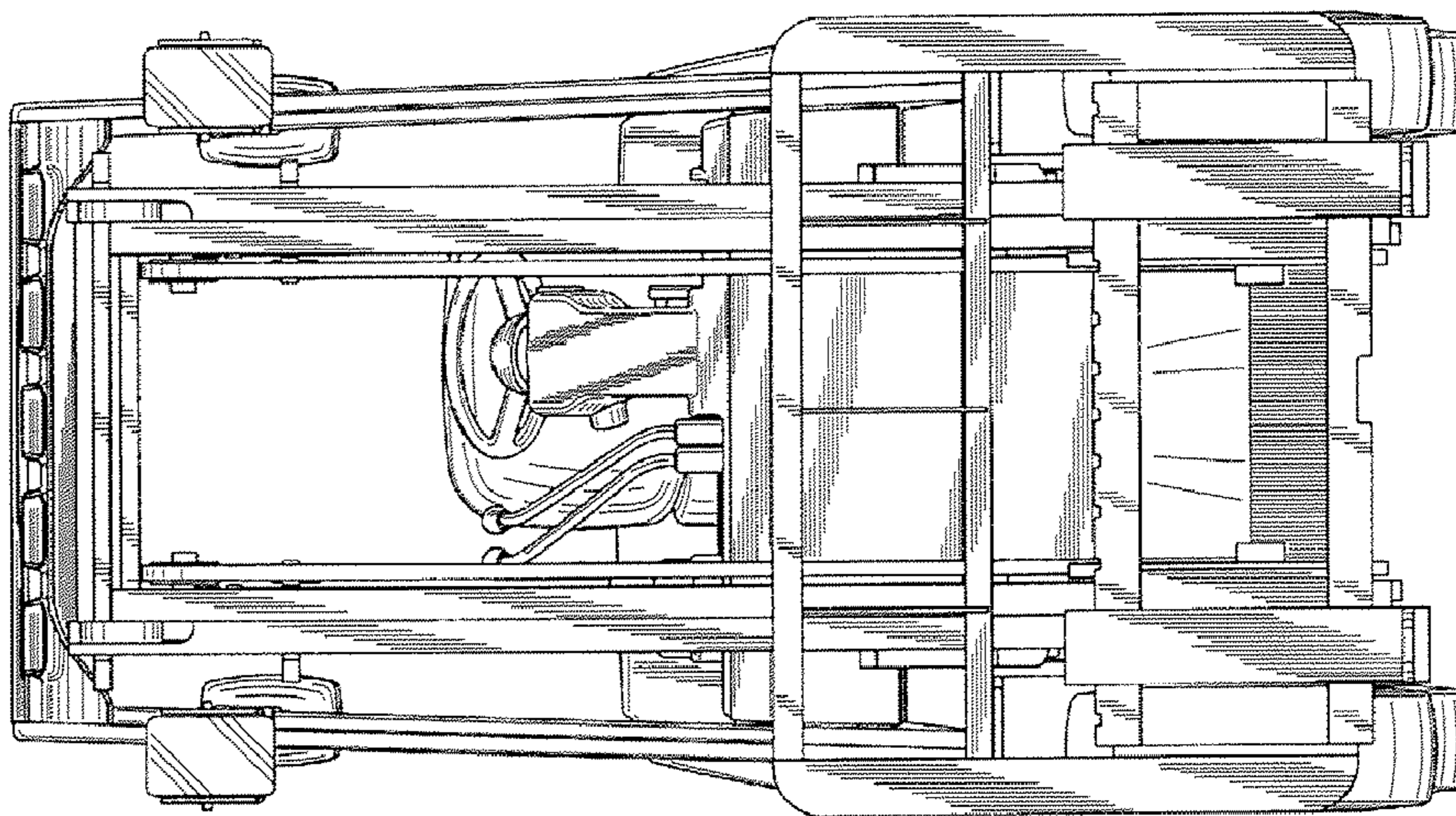


FIG. 4

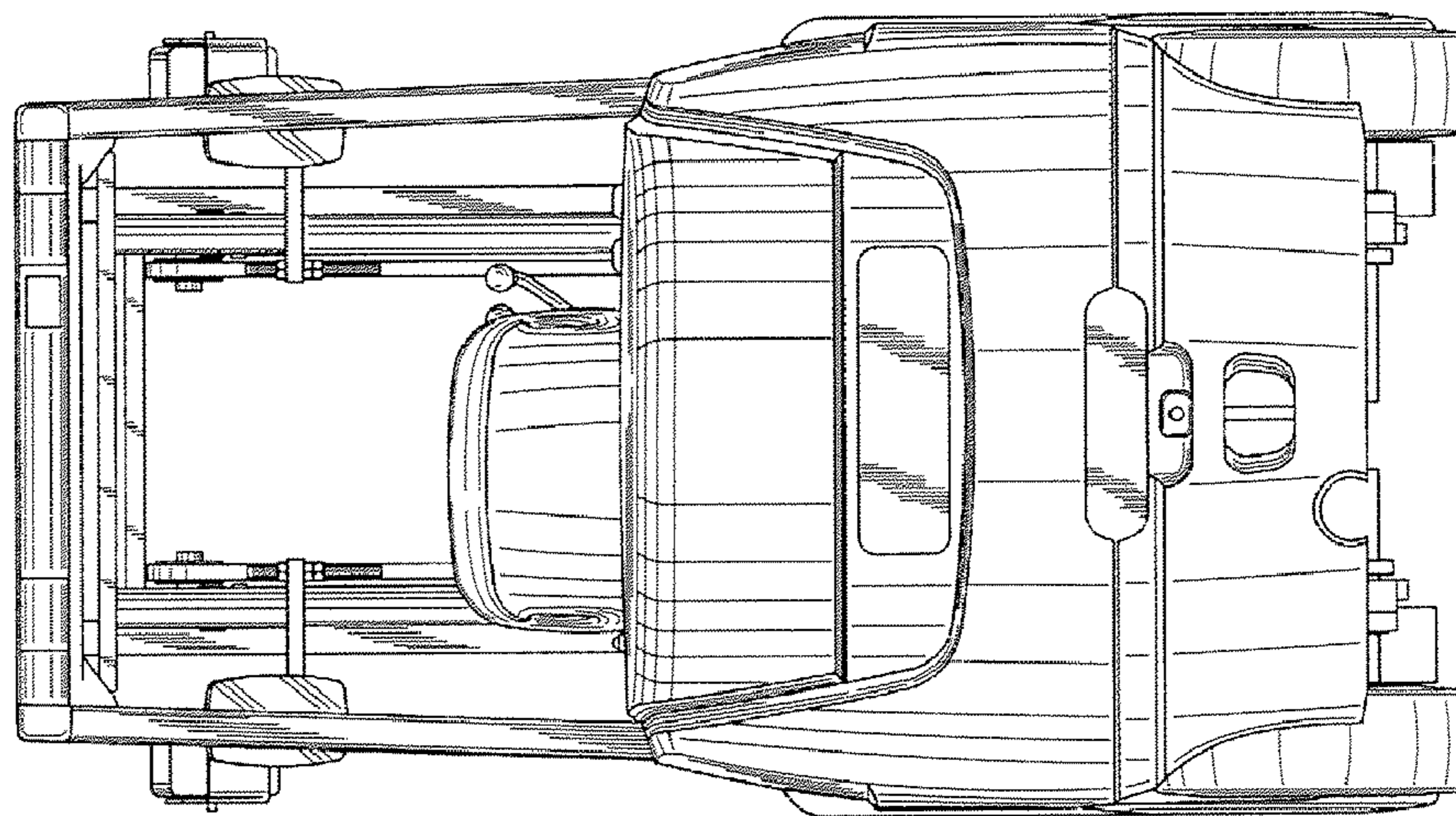


FIG. 5

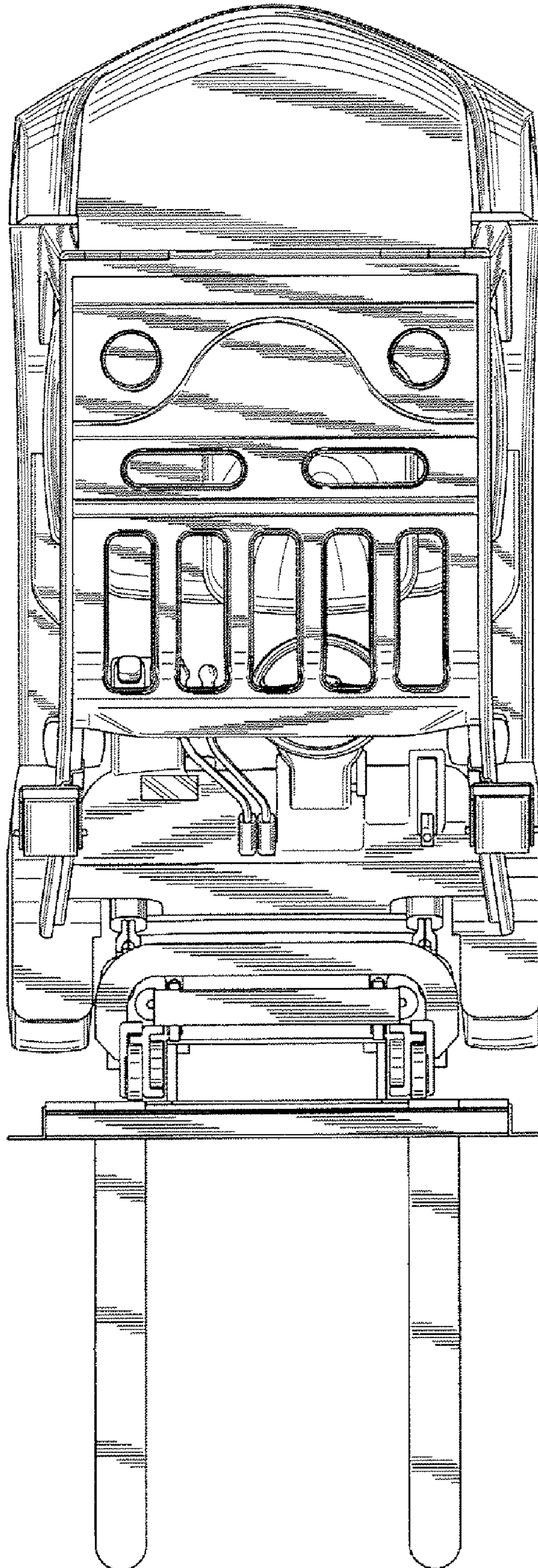


FIG. 6

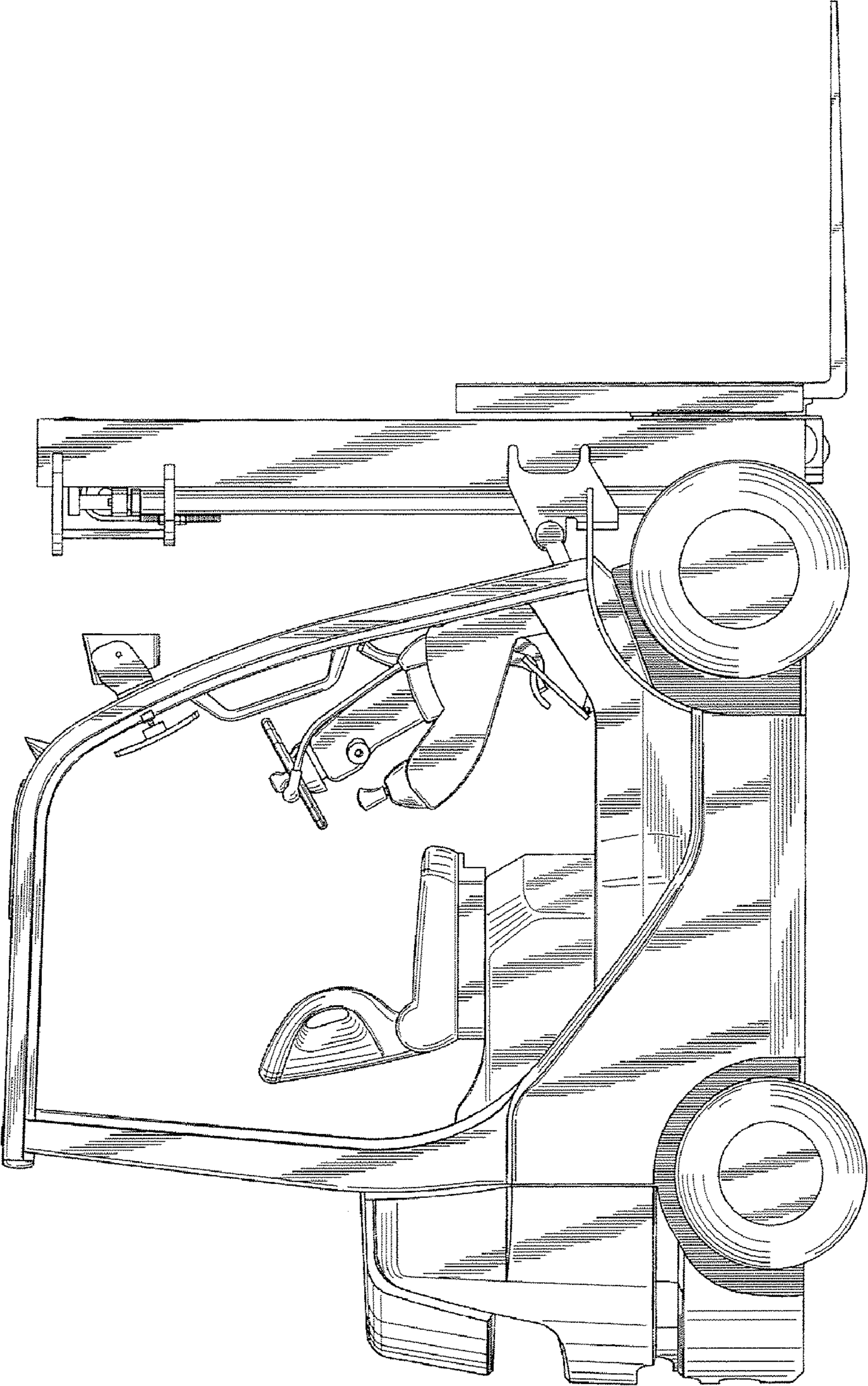


FIG. 7

