



US00D587424S

(12) **United States Design Patent**  
**Stark**

(10) **Patent No.:** **US D587,424 S**

(45) **Date of Patent:** **\*\* Feb. 24, 2009**

(54) **SURFACE CONFIGURATION OF A  
FORKLIFT, TOY, AND/OR OTHER REPLICAS**

(75) Inventor: **Stefan Stark**, Ludwigsburg (DE)

(73) Assignee: **Dr. Ing. h.c.F. Porsche  
Aktiengesellschaft**, Stuttgart (DE)

(\*\*) Term: **14 Years**

(21) Appl. No.: **29/320,388**

(22) Filed: **Jun. 26, 2008**

**Related U.S. Application Data**

(62) Division of application No. 29/262,022, filed on Jun. 26, 2006, now Pat. No. Des. 575,923.

(30) **Foreign Application Priority Data**

Dec. 26, 2005	(EM)	000453964-0001
Dec. 26, 2005	(EM)	000453964-0002
Dec. 26, 2005	(EM)	000453964-0003
Dec. 26, 2005	(EM)	000453964-0004
Dec. 26, 2005	(EM)	000453964-0005
Dec. 26, 2005	(EM)	000453964-0006
Dec. 26, 2005	(EM)	000453964-0007
Dec. 26, 2005	(EM)	000453964-0008

5,524,721 A	6/1996	Yamauchi
5,560,451 A	10/1996	Hincks
D386,877 S	11/1997	Russey et al.
D393,134 S	3/1998	Mariano
D393,516 S	4/1998	Hahn et al.
D396,928 S	8/1998	Hahn et al.
5,881,842 A	3/1999	Kikukawa
D411,681 S	6/1999	Murakami et al.
D412,385 S	7/1999	Murakami et al.
D427,409 S	6/2000	Sato et al.
D448,136 S	9/2001	Yurushi et al.
D452,598 S	12/2001	Sato
D466,268 S	11/2002	Kraimer et al.
D466,669 S	12/2002	Kraimer et al.
D468,885 S	1/2003	Salin et al.
D469,236 S	1/2003	Mitsuyoshi et al.
D470,990 S	2/2003	Han et al.
D471,339 S	3/2003	Mori
D471,340 S	3/2003	Shibata et al.
D492,831 S	7/2004	Kouyama
D518,268 S	3/2006	Stark
D526,460 S	8/2006	Goto et al.
D536,504 S	2/2007	Righi
D538,004 S	3/2007	Kouyama et al.
D542,004 S	5/2007	Righi
D542,503 S	5/2007	Righi
D575,923 S *	8/2008	Stark ..... D34/34

\* cited by examiner

*Primary Examiner*—Cynthia E Ramirez  
(74) *Attorney, Agent, or Firm*—RatnerPrestia

(51) **LOC (9) Cl.** ..... **12-05**

(52) **U.S. Cl.** ..... **D34/34**

(58) **Field of Classification Search** ..... D34/34;  
187/222, 237, 238; 414/631; 180/89.12,  
180/89.13, 89.17

See application file for complete search history.

(56) **References Cited**

**U.S. PATENT DOCUMENTS**

D271,151 S	10/1983	Kirby et al.
D327,356 S	6/1992	Laatsch
5,184,699 A	2/1993	Aoki et al.
D346,259 S	4/1994	Laatsch
D353,931 S	12/1994	Kobayakawa et al.
D354,604 S	1/1995	Soederberg

(57) **CLAIM**

The ornamental design for a surface configuration of forklift, toy, and/or other replicas, as shown and described.

**DESCRIPTION**

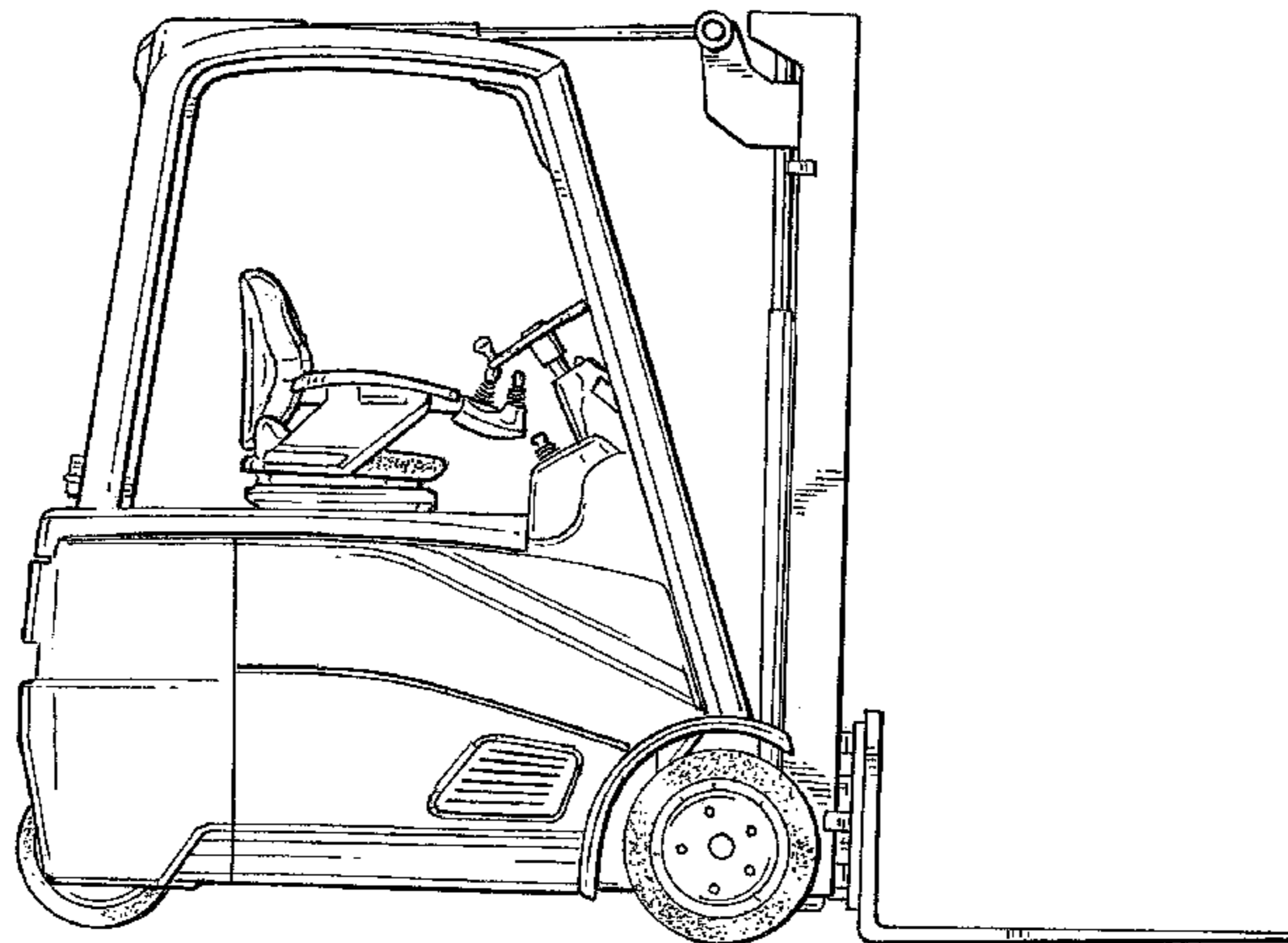
FIG. 1 is a right side view of a surface configuration of a forklift, toy and/or other replicas according to my novel design;

FIG. 2 is a left side view thereof;

FIG. 3 is a rear view thereof; and,

FIG. 4 is a front view thereof.

**1 Claim, 2 Drawing Sheets**



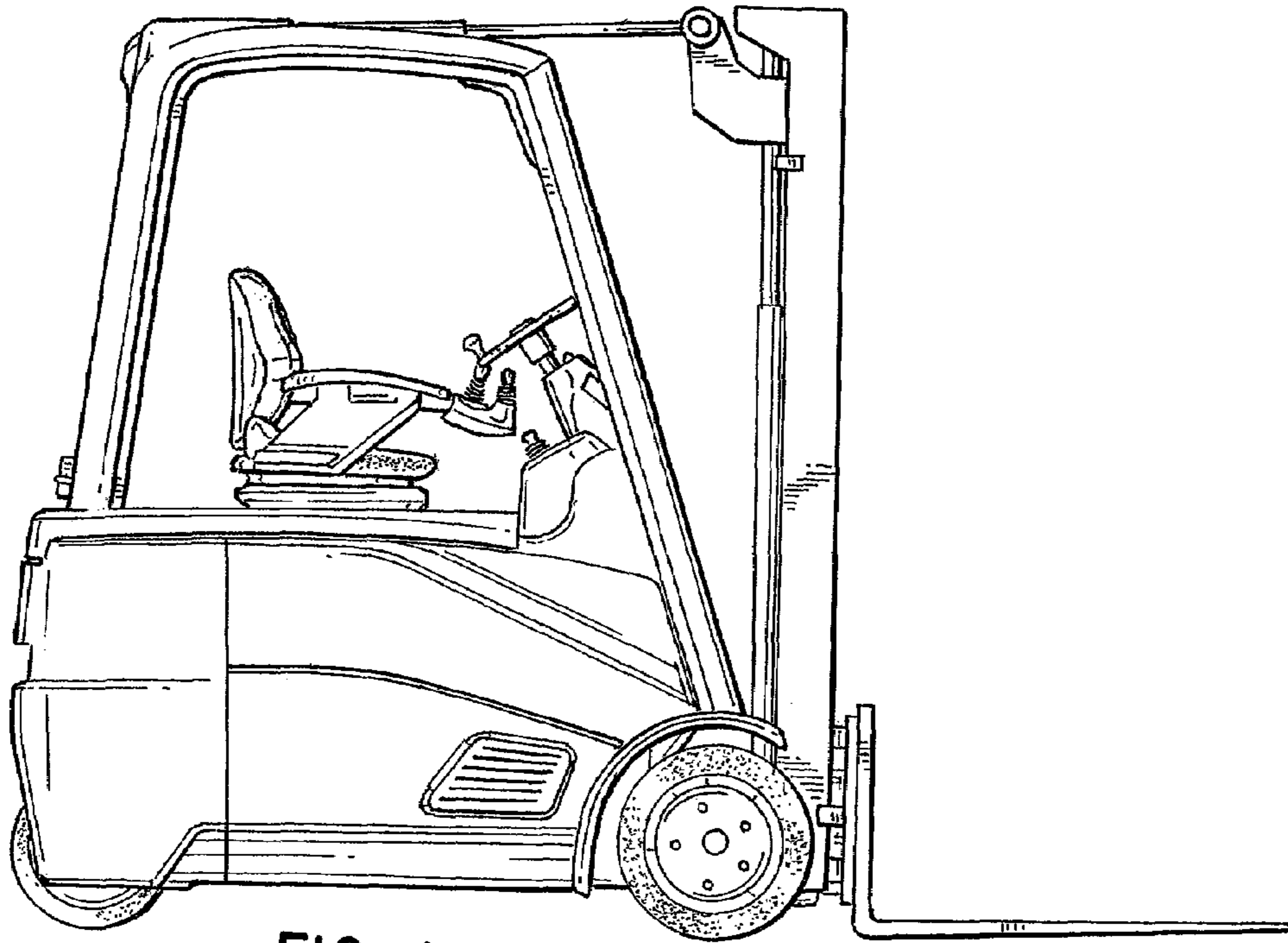


FIG. 1

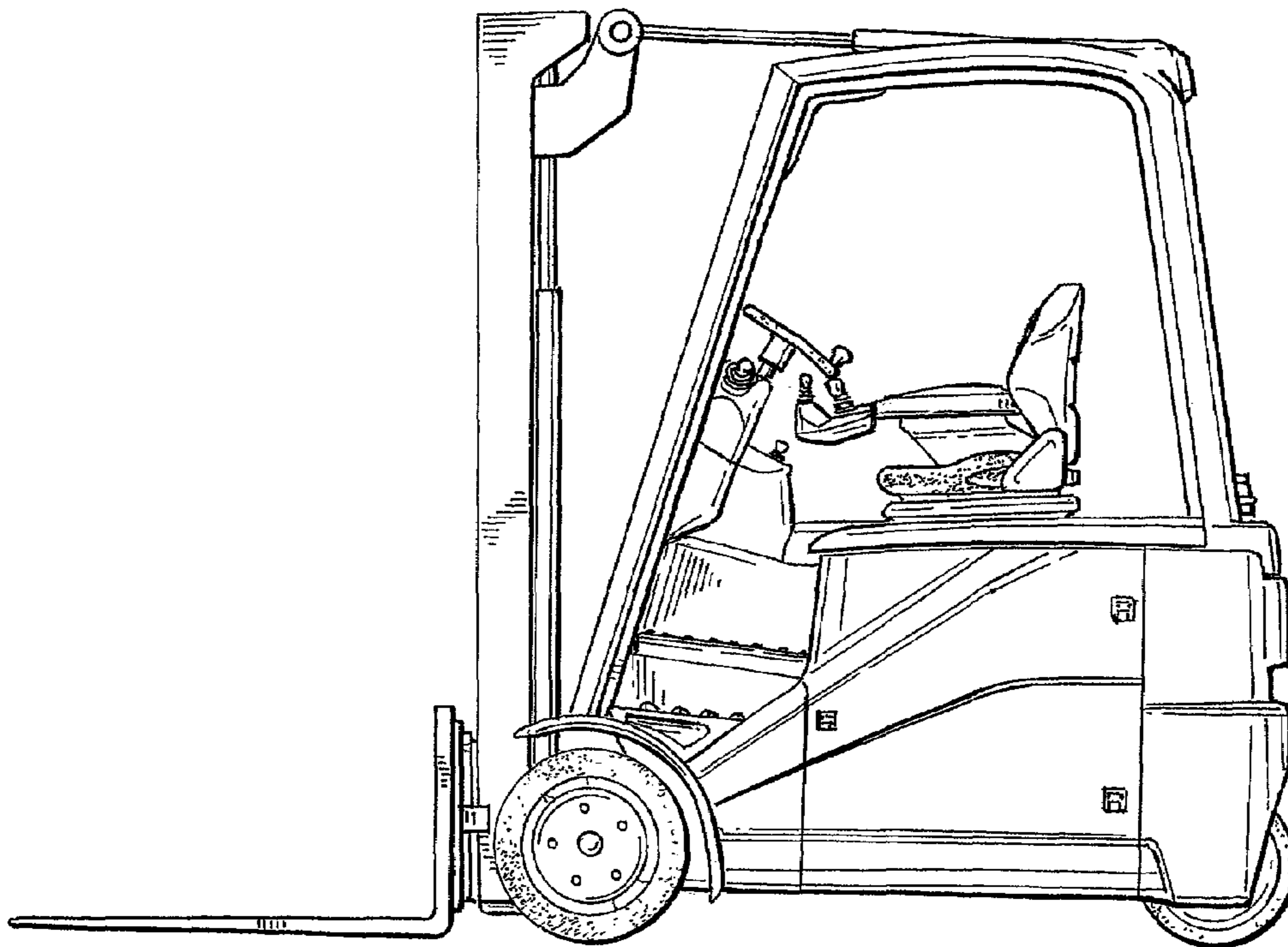


FIG. 2

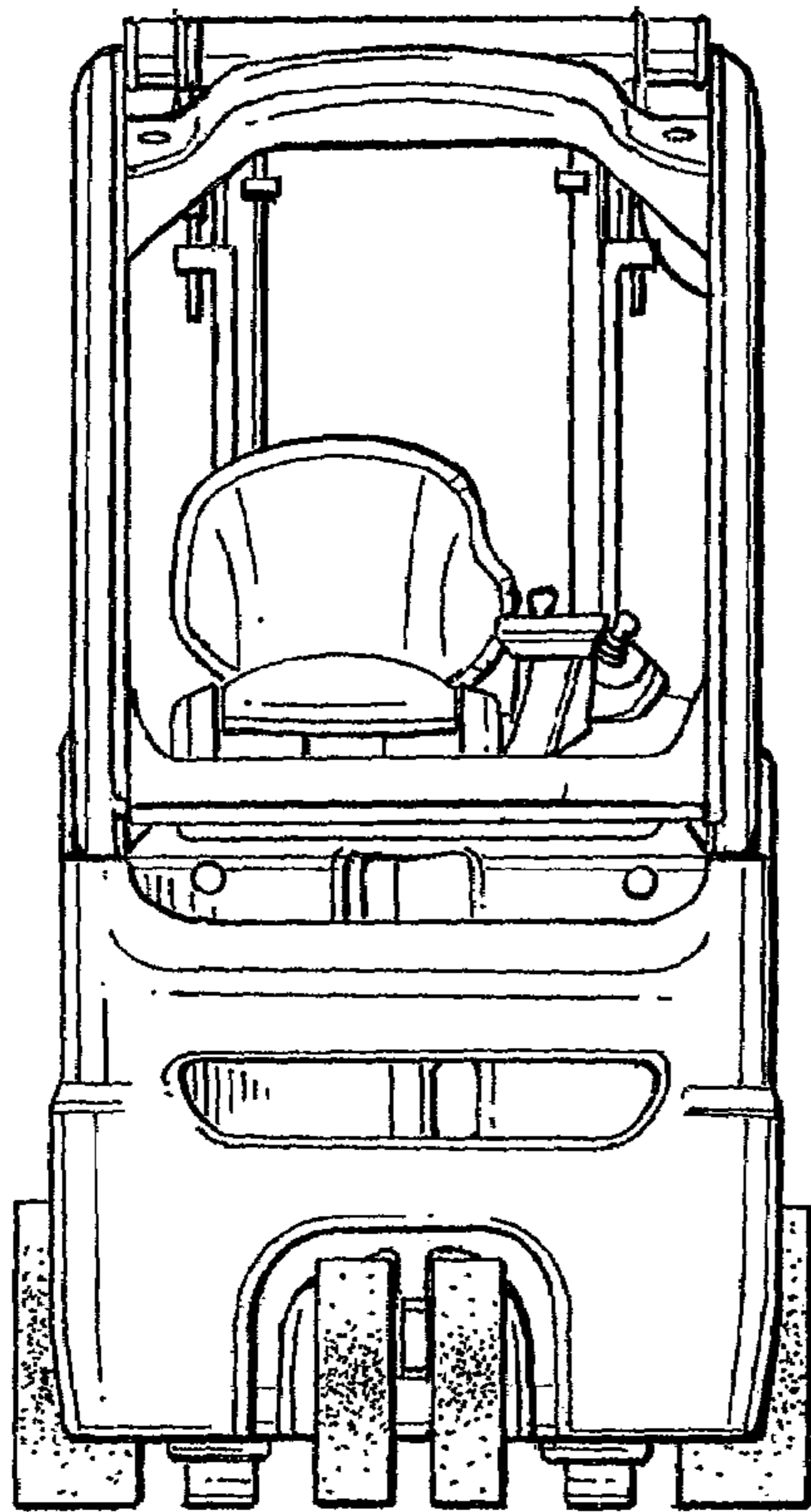


FIG. 3

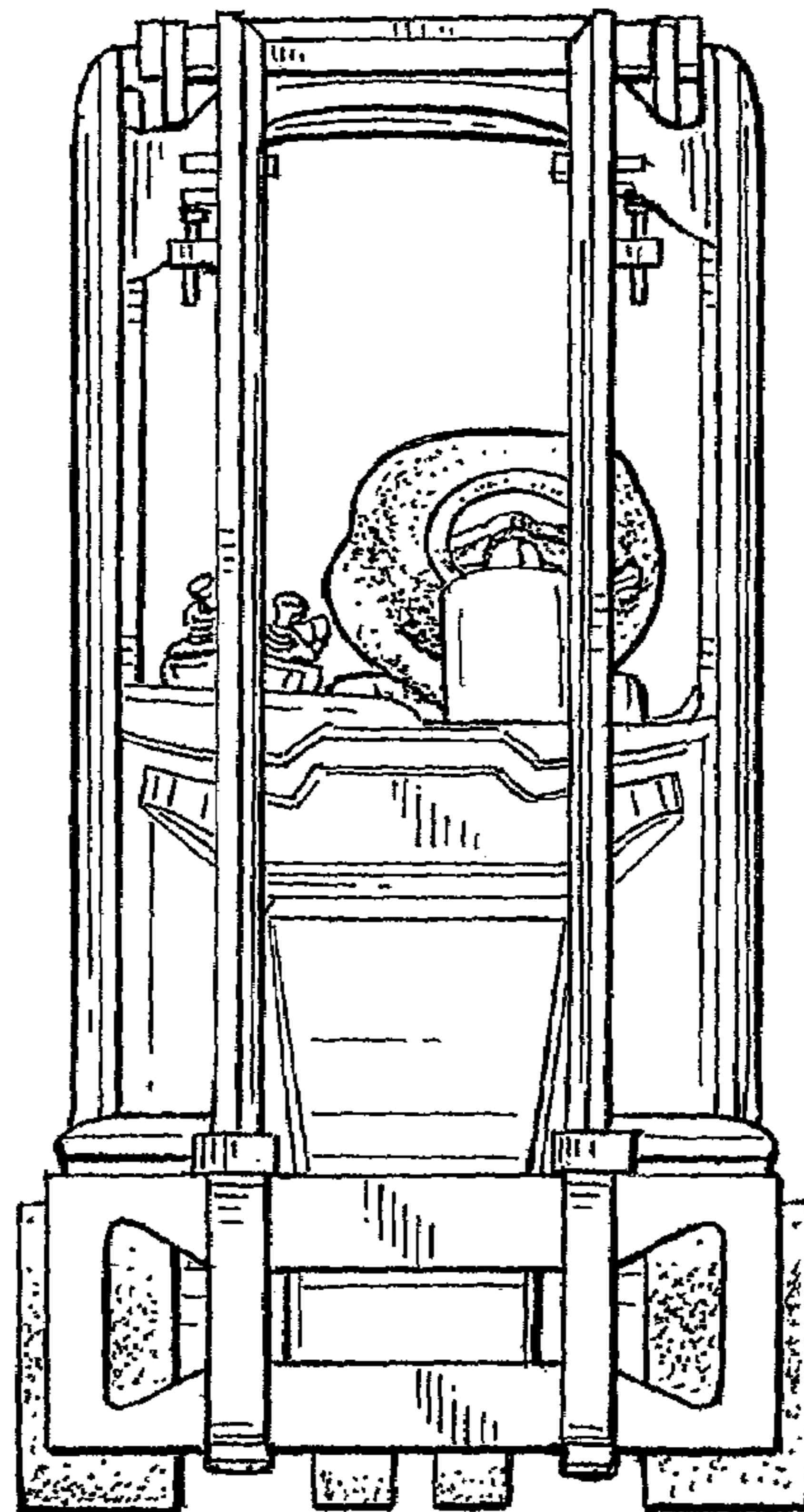


FIG. 4