

US00D587422S

(12) **United States Design Patent**
Stark

(10) **Patent No.:** **US D587,422 S**

(45) **Date of Patent:** **** Feb. 24, 2009**

(54) **SURFACE CONFIGURATION OF A FORKLIFT, TOY, AND/OR OTHER REPLICAS**

Primary Examiner—Cynthia E Ramirez
(74) *Attorney, Agent, or Firm—RatnerPrestia*

(75) Inventor: **Stefan Stark**, Ludwigsburg (DE)

(57) **CLAIM**

(73) Assignee: **Dr. Ing. H.C.F. Porsche Aktiengesellschaft**, Stuttgart (DE)

The ornamental design for a surface configuration of forklift, toy, and/or other replicas, as shown and described.

(**) Term: **14 Years**

DESCRIPTION

(21) Appl. No.: **29/320,384**

This application is related to the following co-pending applications:

(22) Filed: **Jun. 26, 2008**

Related U.S. Application Data

Application Serial No. 29/262,038, entitled "Surface Configuration of a of a Forklift, Toy, and/or Other Replicas;" and Application Serial No. 29/262,037, entitled "Surface Configuration of a Forklift, Toy, and/or Other Replicas."

(62) Division of application No. 29/262,022, filed on Jun. 26, 2006.

(30) **Foreign Application Priority Data**

FIG. 1 is a right side view of a first embodiment of a surface configuration of forklift, toy, and/or other replicas according to my novel design;

Dec. 26, 2005	(EM)	000453964-0001
Dec. 26, 2005	(EM)	000453964-0002
Dec. 26, 2005	(EM)	000453964-0003
Dec. 26, 2005	(EM)	000453964-0004
Dec. 26, 2005	(EM)	000453964-0005
Dec. 26, 2005	(EM)	000453964-0006
Dec. 26, 2005	(EM)	000453964-0007
Dec. 26, 2005	(EM)	000453964-0008

FIG. 2 is a left side view thereof;

FIG. 3 is a rear view thereof; and

FIG. 4 is a front view thereof.

(51) **LOC (9) Cl.** **12-05**

(52) **U.S. Cl.** **D34/34**

(58) **Field of Classification Search** D34/34;
187/222, 237, 238; 414/631; 180/89.12,
180/89.13, 89.17

FIG. 5 is a right side view of a second embodiment of the surface configuration of forklift, toy, and/or other replicas according to my novel design;

FIG. 6 is a left side view thereof;

FIG. 7 is a rear view thereof; and

FIG. 8 is a front view thereof.

See application file for complete search history.

FIG. 9 is a right side view of a third embodiment of the surface configuration of forklift, toy, and/or other replicas according to my novel design;

FIG. 10 is a left side view thereof;

FIG. 11 is a rear view thereof; and,

FIG. 12 is a front view thereof.

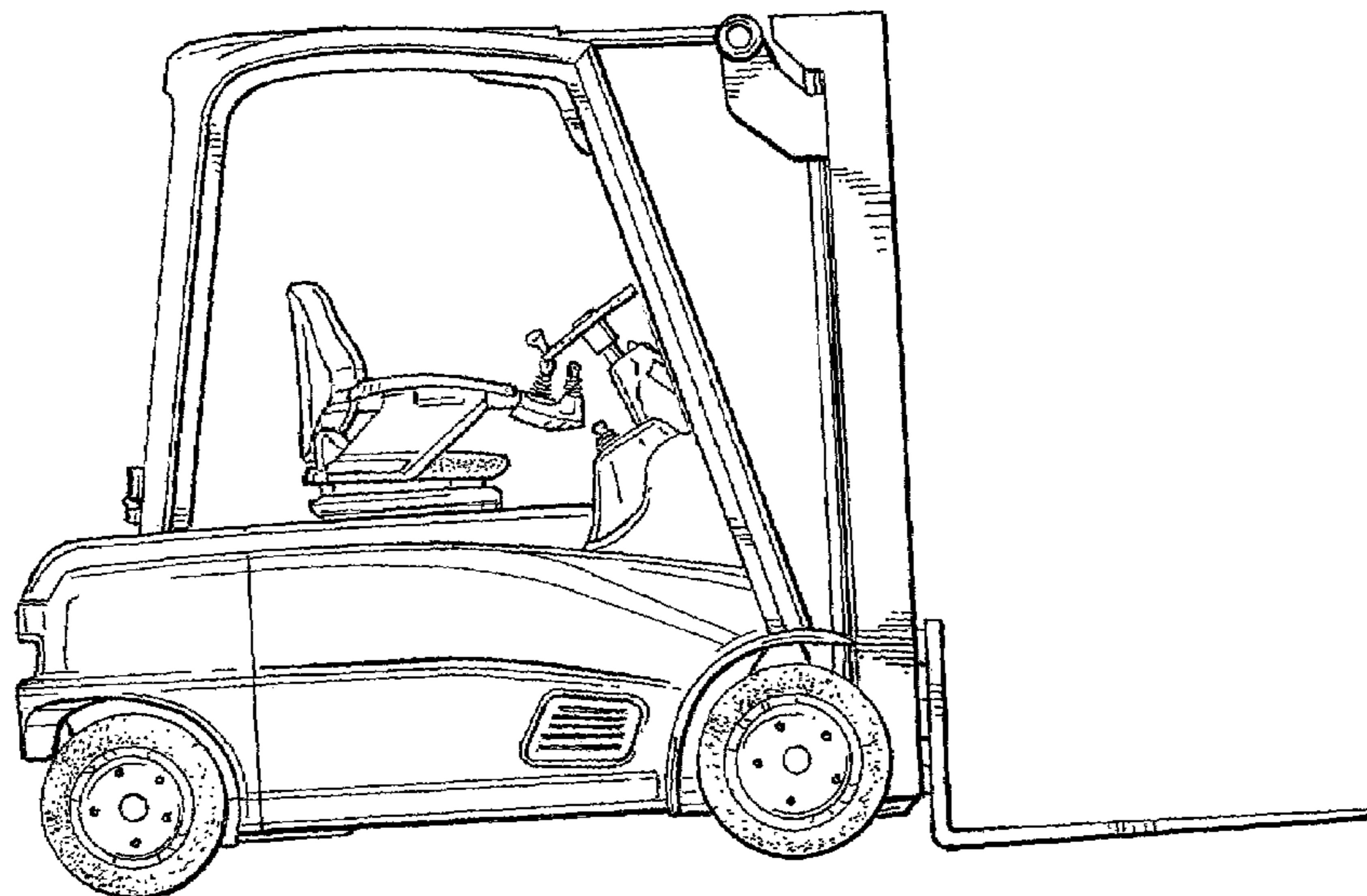
(56) **References Cited**

U.S. PATENT DOCUMENTS

D271,151 S 10/1983 Kirby et al.

(Continued)

1 Claim, 6 Drawing Sheets



US D587,422 S

Page 2

U.S. PATENT DOCUMENTS

D327,356 S	6/1992	Laatsch	D452,598 S	12/2001	Sato
5,184,699 A	2/1993	Aoki et al.	D466,268 S	11/2002	Kraimer et al.
D346,259 S	4/1994	Laatsch	D466,669 S	12/2002	Kraimer et al.
D353,931 S	12/1994	Kobayakawa et al.	D468,885 S	1/2003	Salin et al.
D354,604 S	1/1995	Soederberg	D469,236 S	1/2003	Mitsuyoshi et al.
5,524,721 A	6/1996	Yamauchi	D470,990 S	2/2003	Han et al.
5,560,451 A	10/1996	Hincks	D471,339 S	3/2003	Mori
D386,877 S	11/1997	Russey et al.	D471,340 S	3/2003	Shibata et al.
D393,134 S	3/1998	Mariano	D492,831 S	7/2004	Kouyama
D393,516 S	4/1998	Hahn et al.	D518,268 S	3/2006	Stark
D396,928 S	8/1998	Hahn et al.	D526,460 S	8/2006	Goto et al.
5,881,842 A	3/1999	Kikukawa	D536,504 S	2/2007	Righi
D411,681 S	6/1999	Murakami et al.	D538,004 S	3/2007	Kouyama et al.
D412,385 S	7/1999	Murakami et al.	D542,004 S	5/2007	Righi
D427,409 S	6/2000	Sato et al.	D542,503 S	5/2007	Righi
D448,136 S	9/2001	Yurushi et al.	D575,923 S *	8/2008	Stark D34/34

* cited by examiner

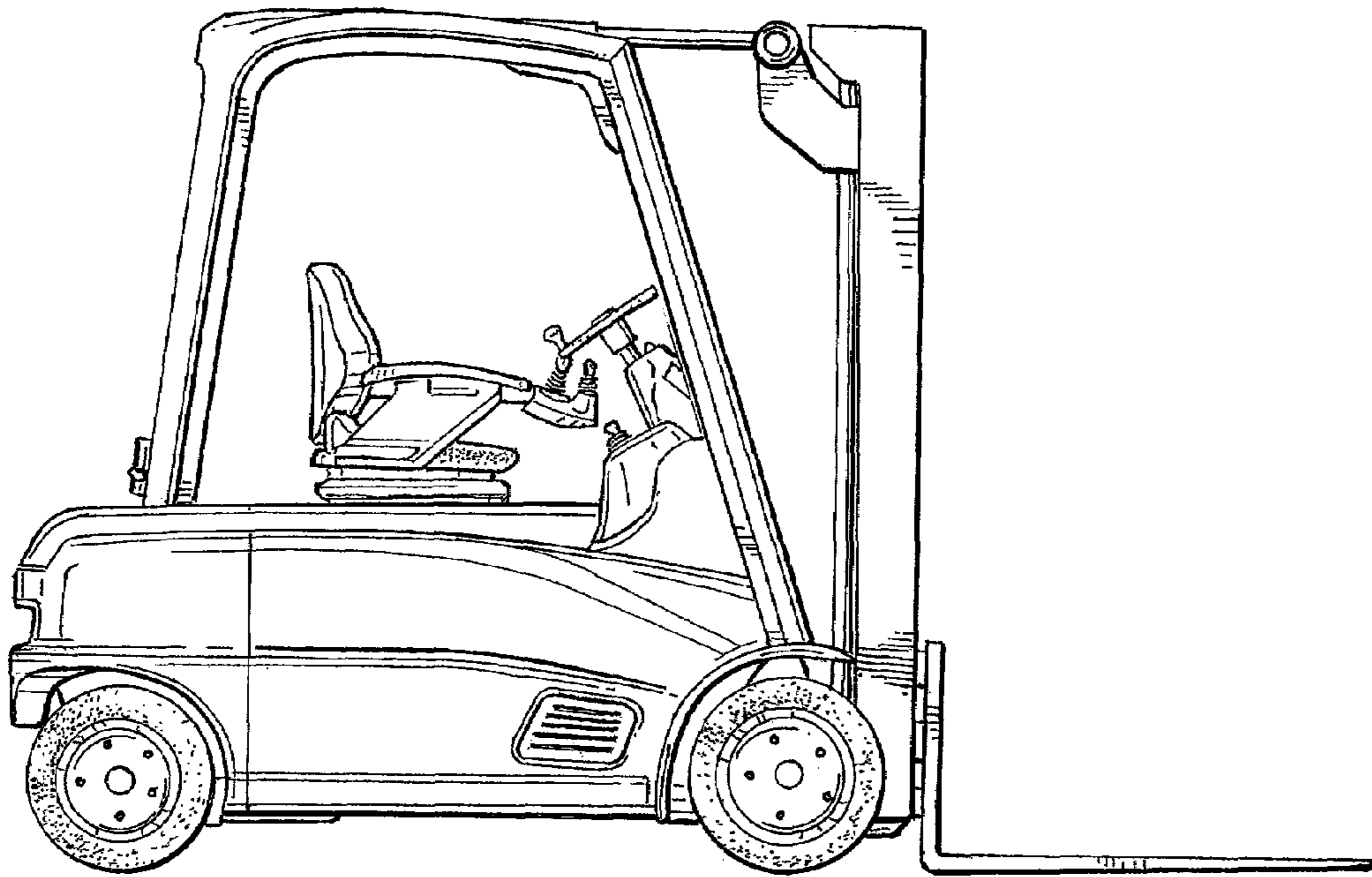


FIG. 1

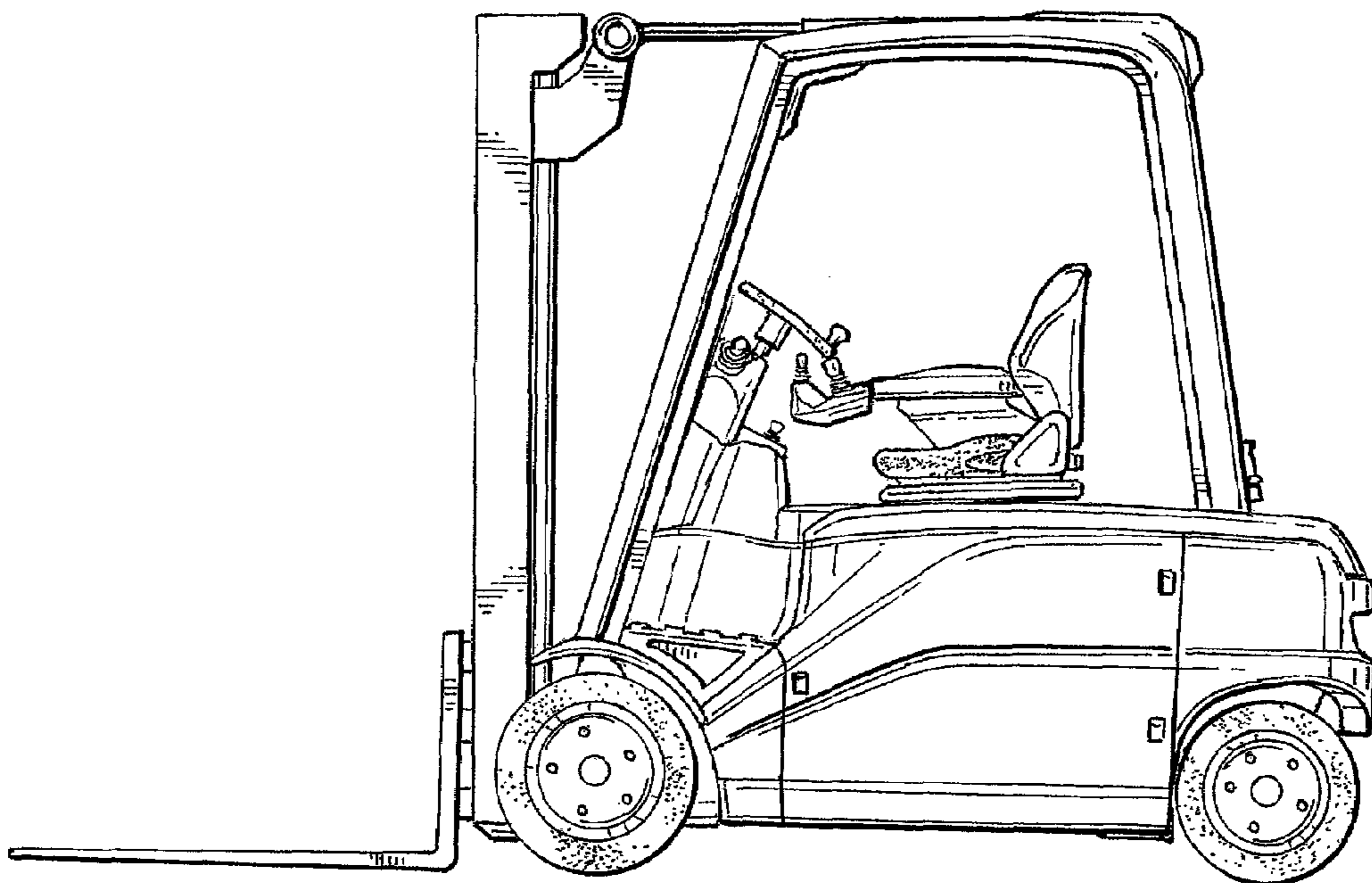


FIG. 2

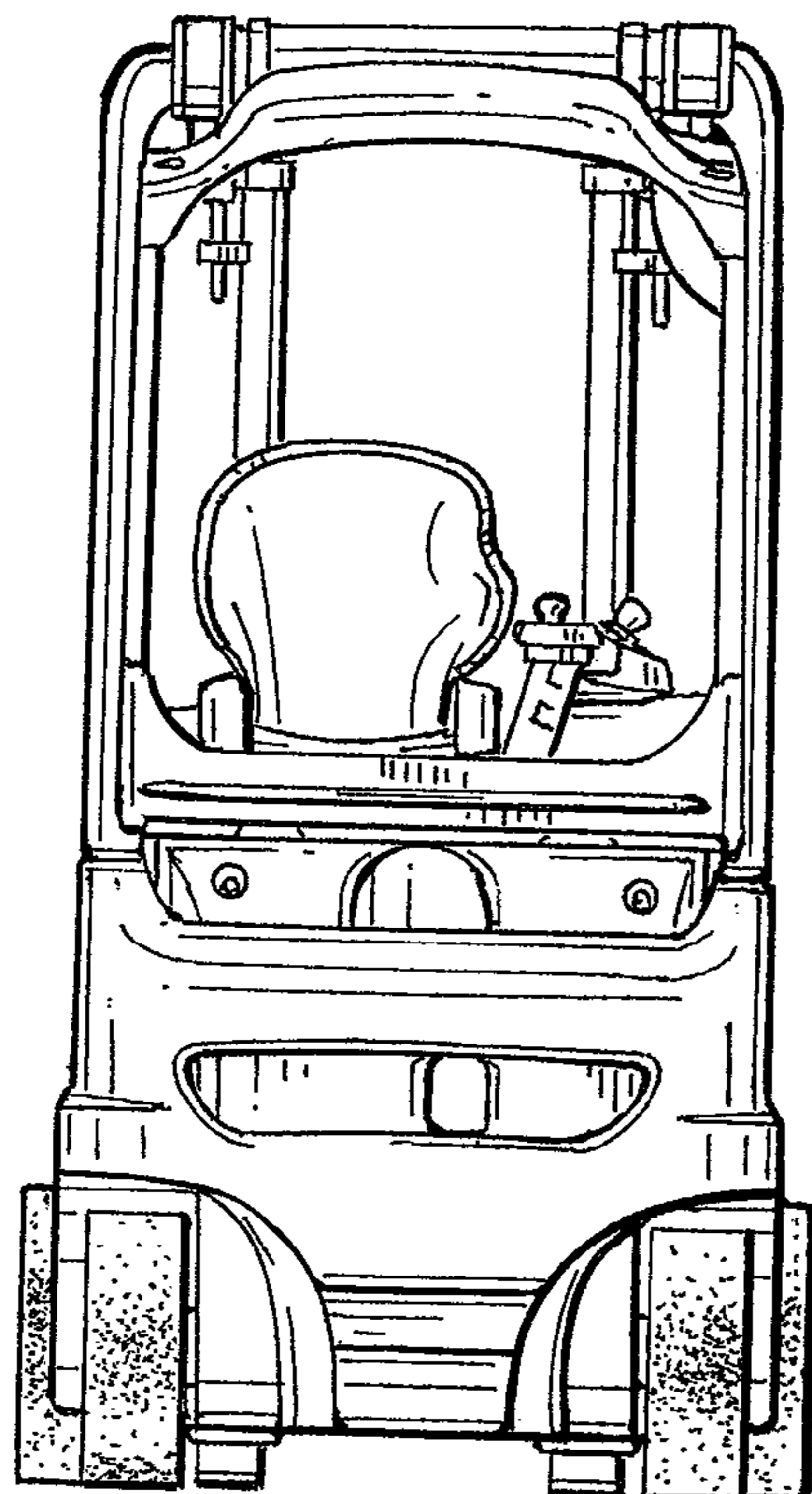


FIG. 3



FIG. 4

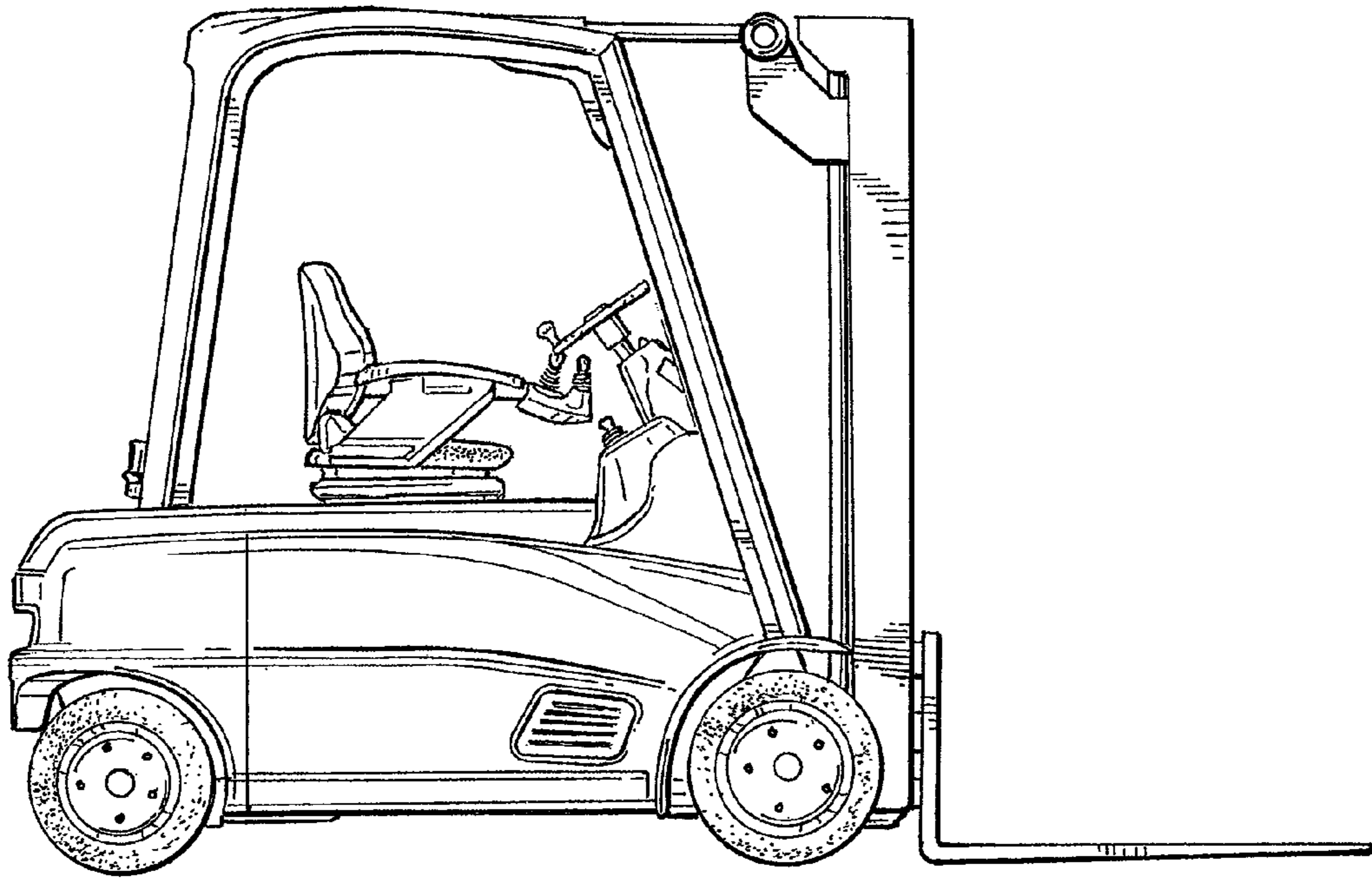


FIG. 5

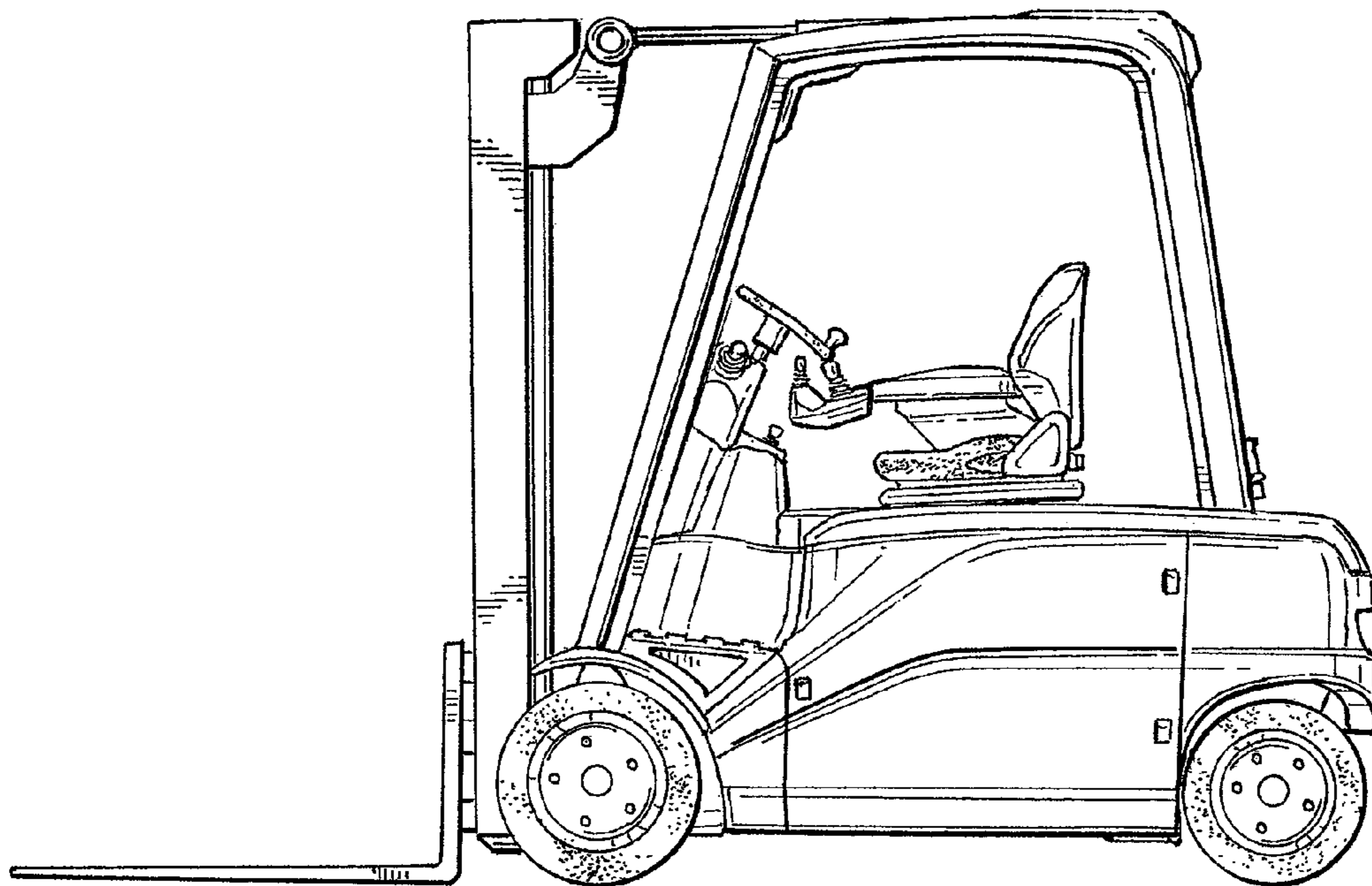


FIG. 6

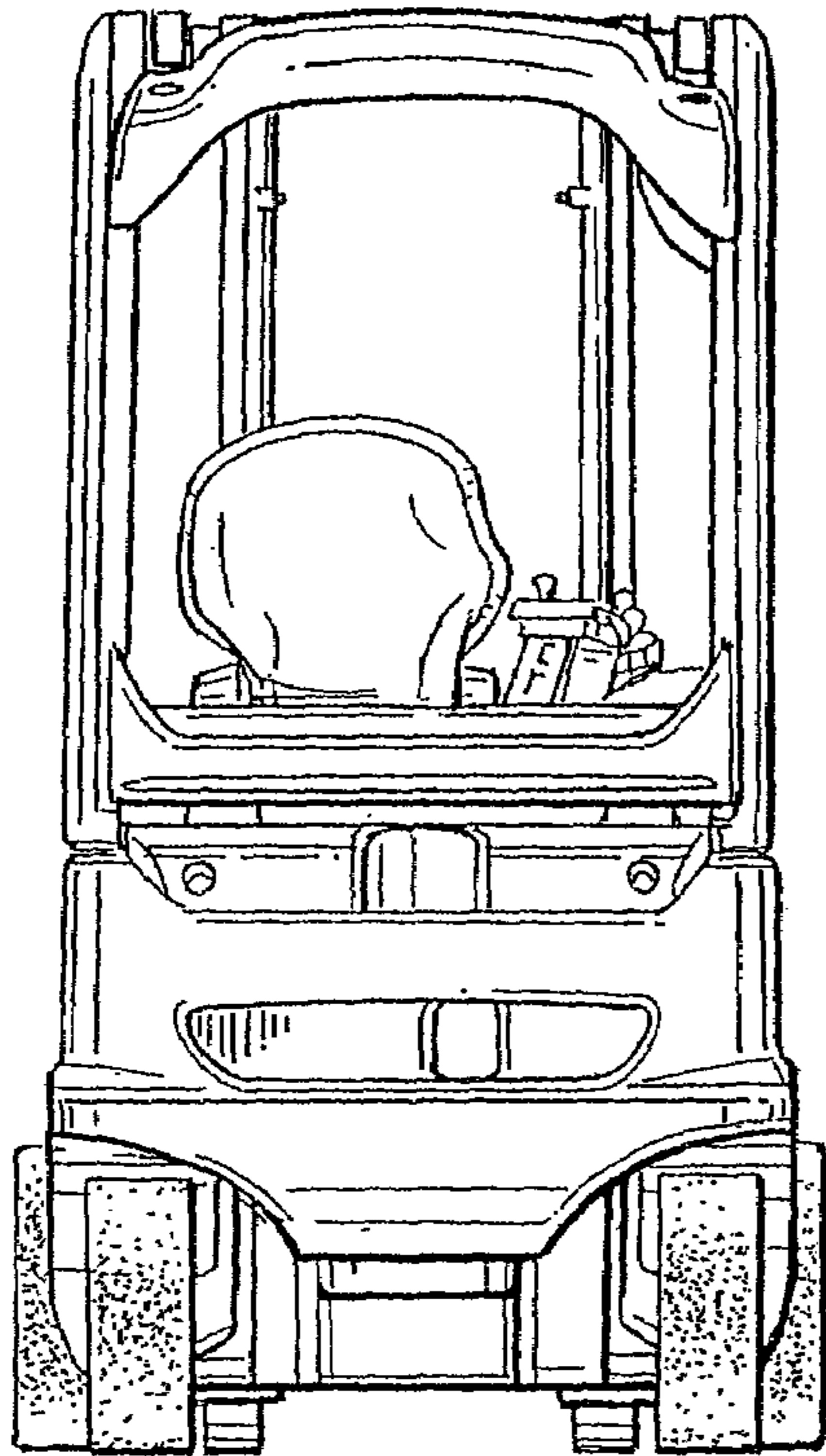


FIG. 7

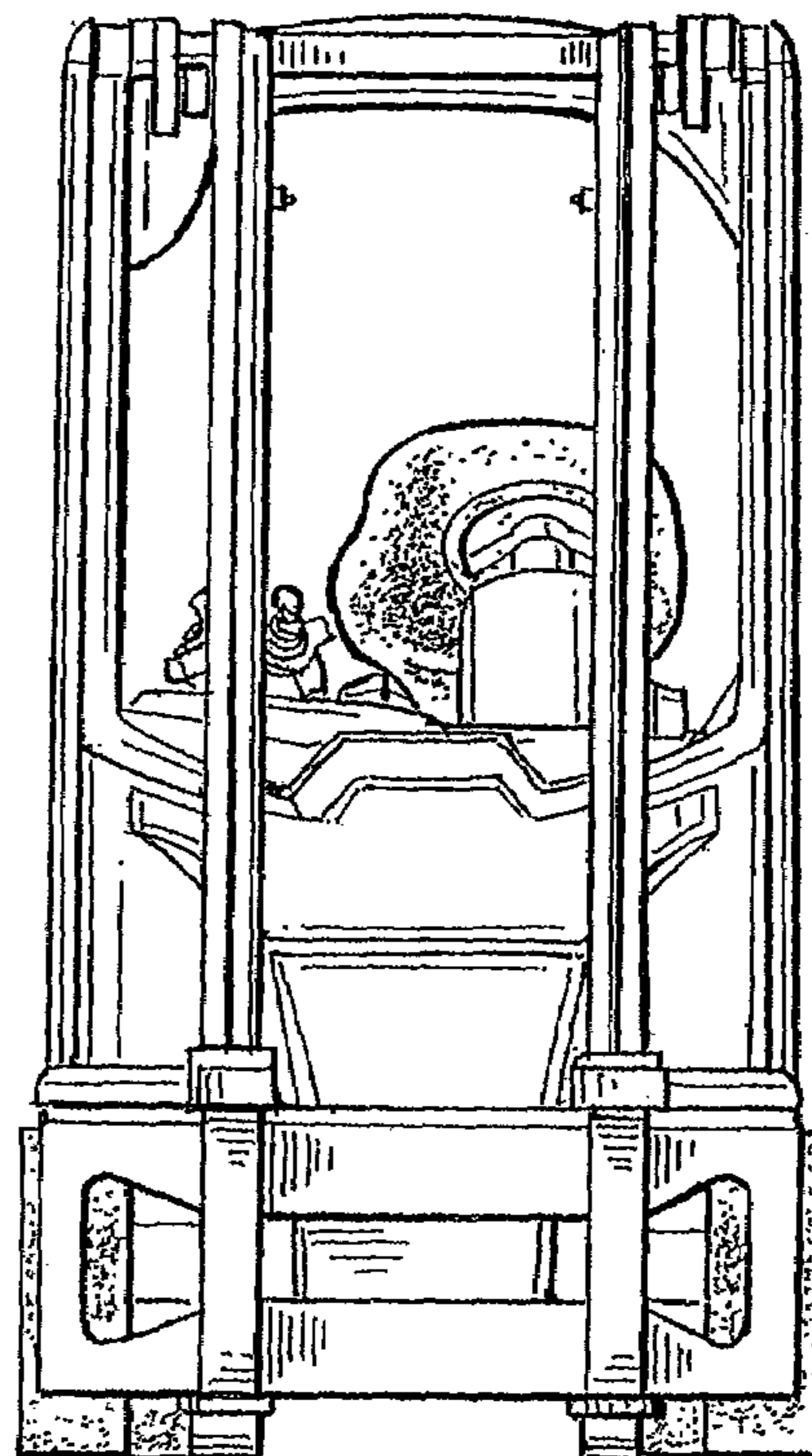


FIG. 8

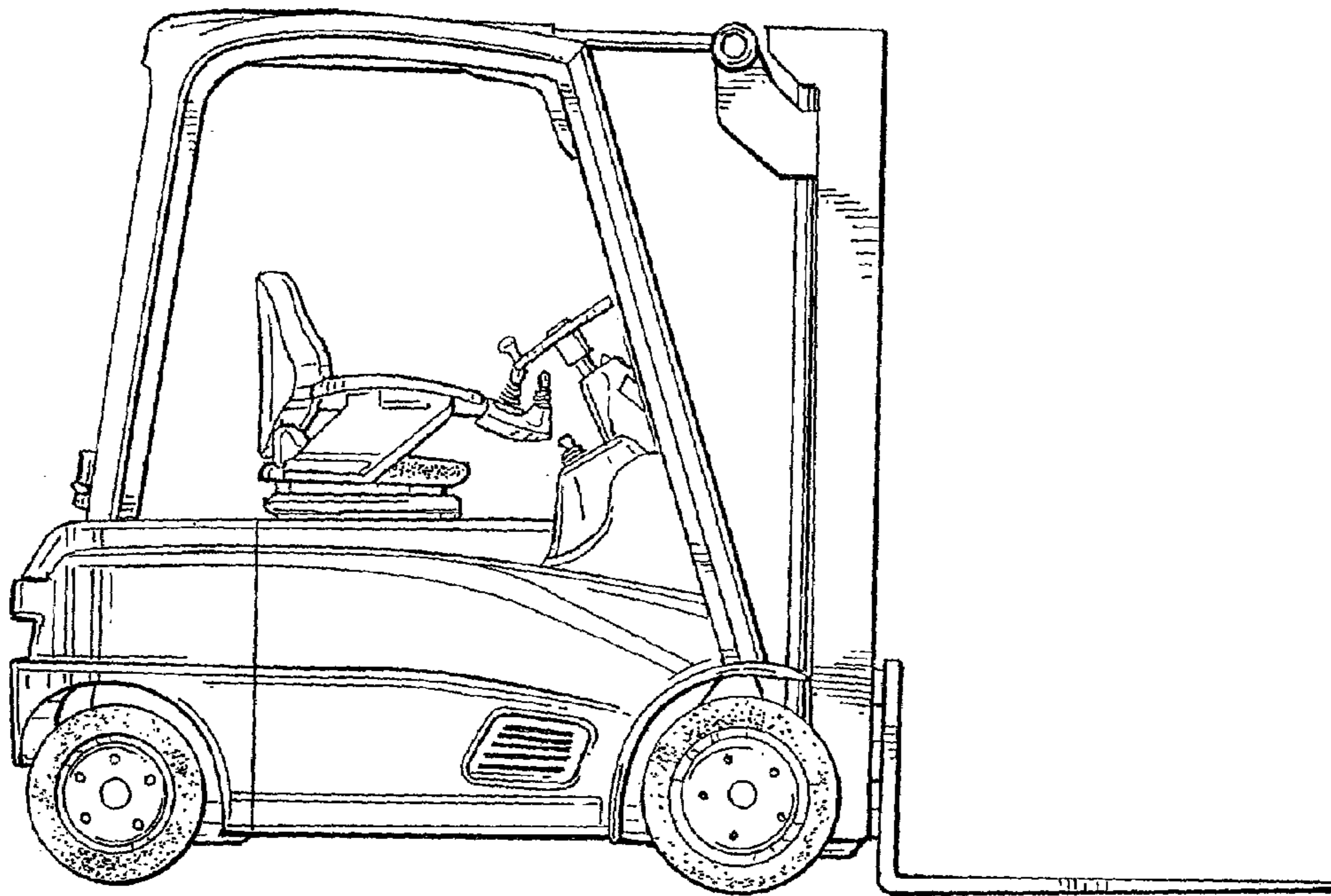


FIG. 9

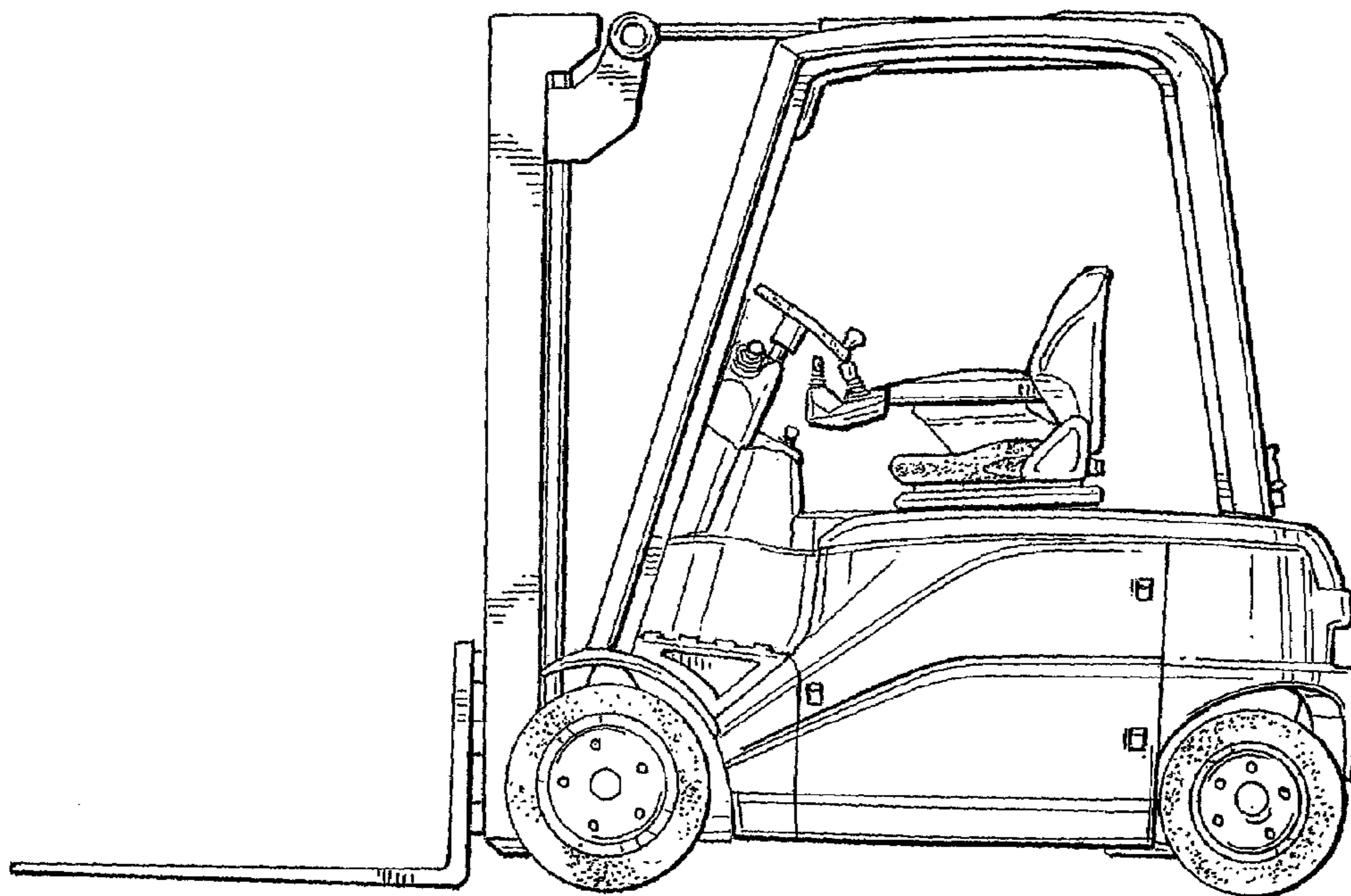


FIG. 10

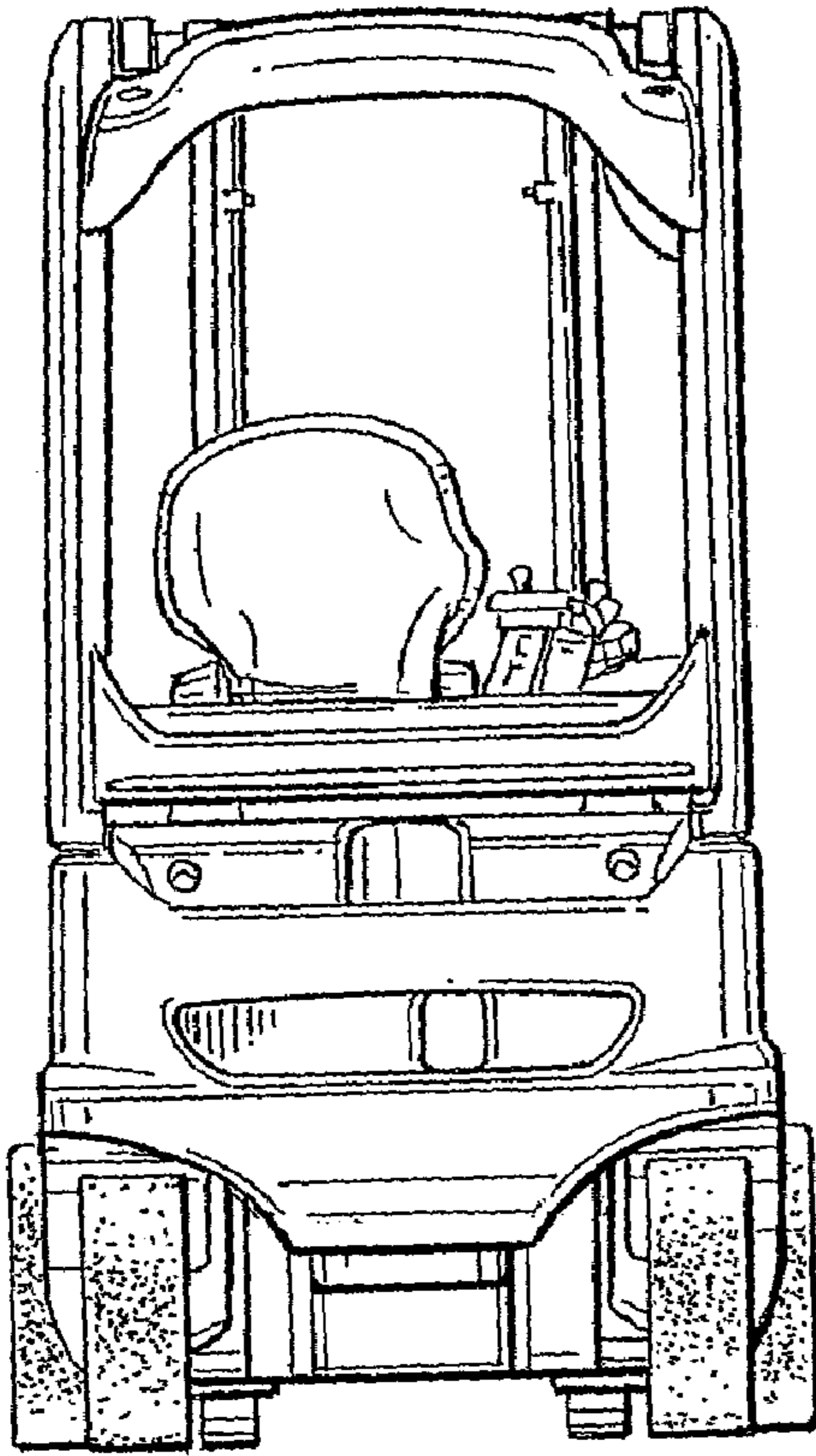


FIG. 11

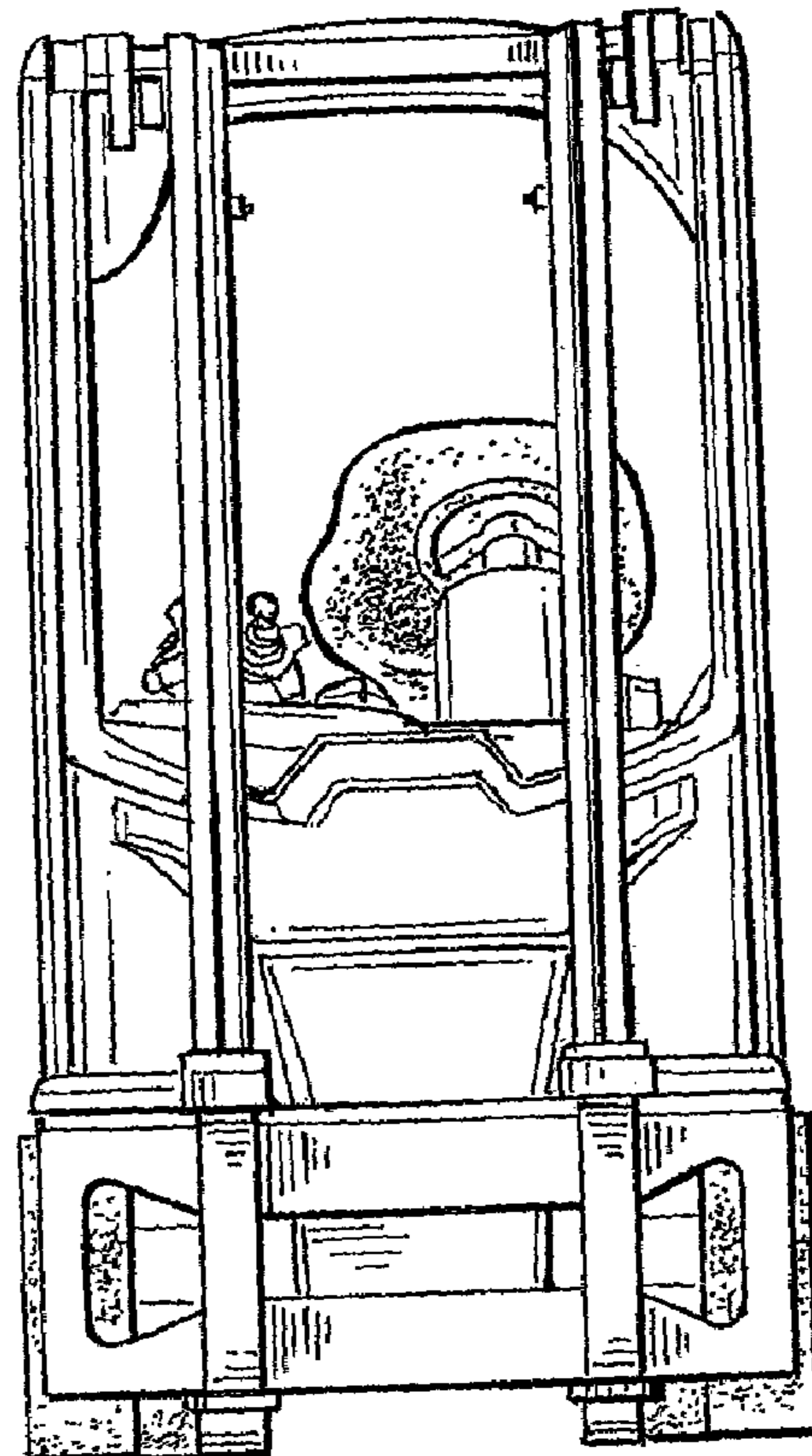


FIG. 12