



US00D587420S

(12) **United States Design Patent**  
**Lin**

(10) **Patent No.:** **US D587,420 S**

(45) **Date of Patent:** **\*\* Feb. 24, 2009**

(54) **GARBAGE CAN**

D553,822 S \* 10/2007 Lin et al. .... D34/9  
D555,318 S \* 11/2007 Lin et al. .... D34/9  
D566,367 S \* 4/2008 Lin ..... D34/7

(75) Inventor: **Tsong-Yow Lin**, Taichung Hsien (TW)

(73) Assignee: **Chen Sung Industrial Co., Ltd.**,  
Taichung Hsien (TW)

(\*\*) Term: **14 Years**

(21) Appl. No.: **29/317,723**

(22) Filed: **May 6, 2008**

(51) **LOC (9) Cl.** ..... **09-09**

(52) **U.S. Cl.** ..... **D34/7**

(58) **Field of Classification Search** ..... D34/1-11;  
220/908, 909, 910, 911

See application file for complete search history.

(56) **References Cited**

**U.S. PATENT DOCUMENTS**

D154,377 S \* 7/1949 Freedman et al. .... D34/9  
D161,649 S \* 1/1951 Riordan ..... D34/9  
D379,703 S \* 6/1997 Kent ..... D34/1  
D381,156 S \* 7/1997 Kent ..... D34/1  
D483,167 S \* 12/2003 Lin ..... D34/7

\* cited by examiner

*Primary Examiner*—Cynthia E Ramirez

(74) *Attorney, Agent, or Firm*—Alan Kamrath; Kamrath &  
Associates PA

(57) **CLAIM**

The ornamental design for garbage can, as shown and described.

**DESCRIPTION**

FIG. 1 is a perspective view of a garbage can showing my new design;

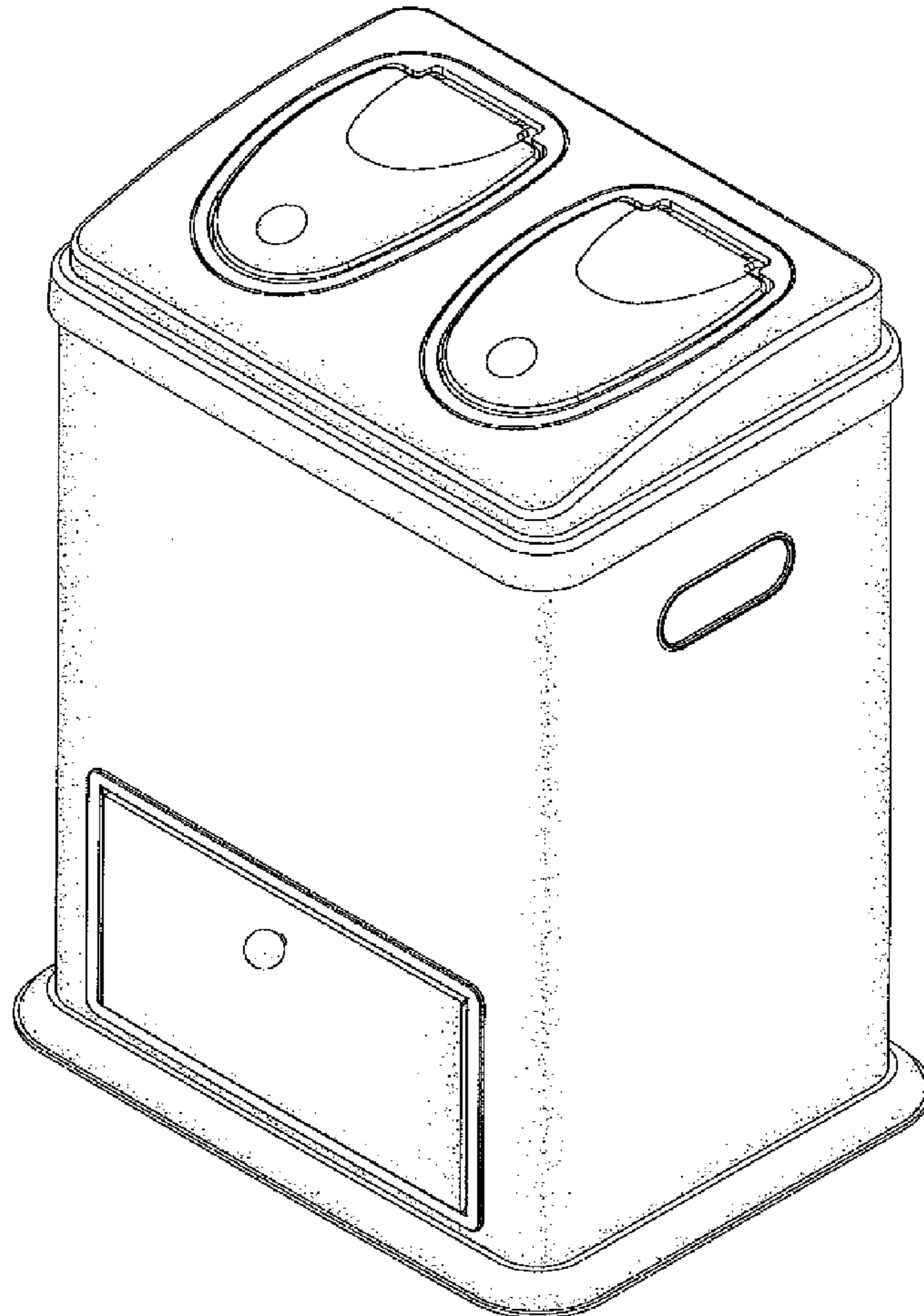
FIG. 2 is a front view thereof; and

FIG. 3 is a rear view thereof; and

FIG. 4 is a left view thereof; the opposite side being a mirror image of the shown; and,

FIG. 5 is a top view thereof.

**1 Claim, 3 Drawing Sheets**



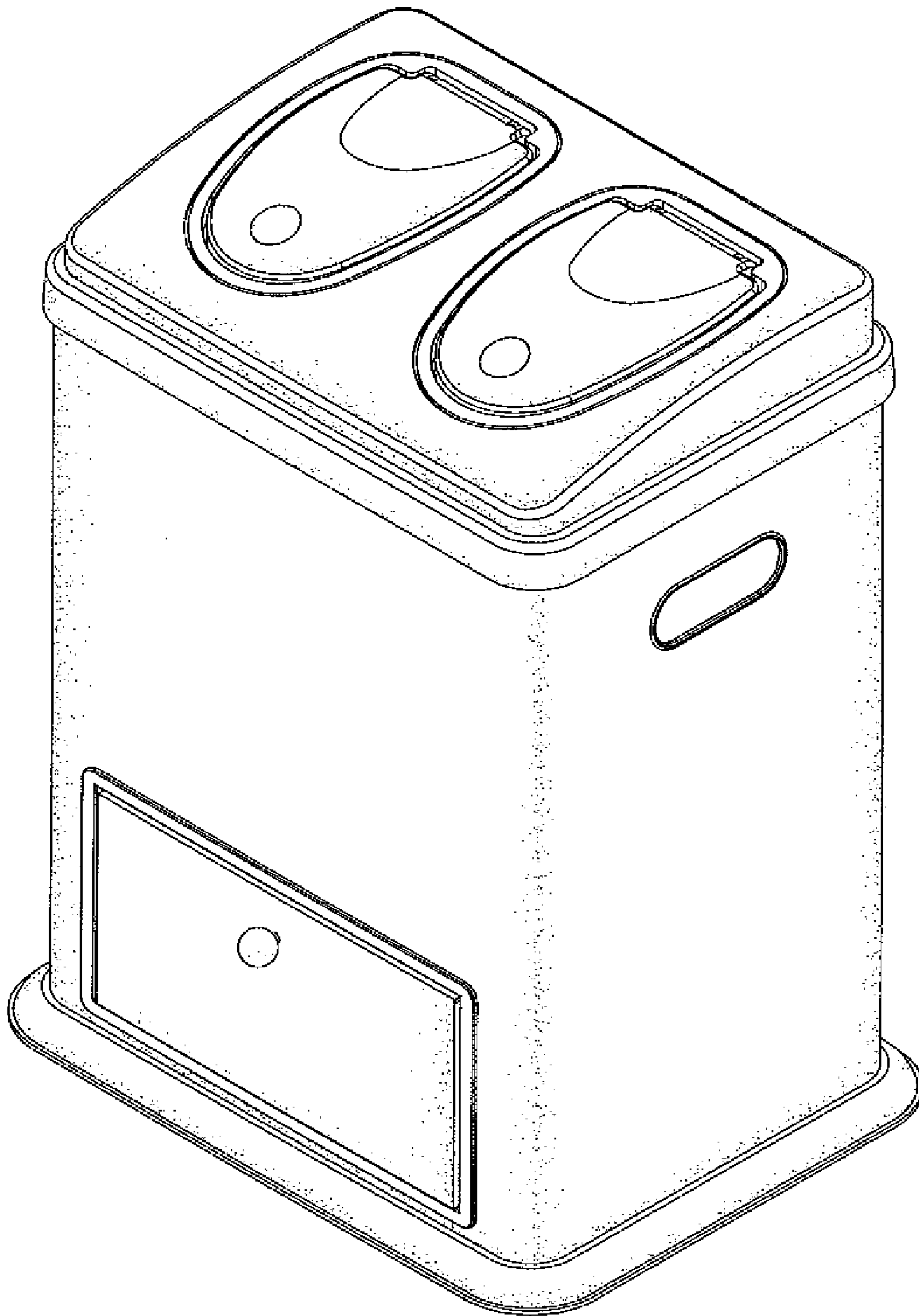


Fig.1

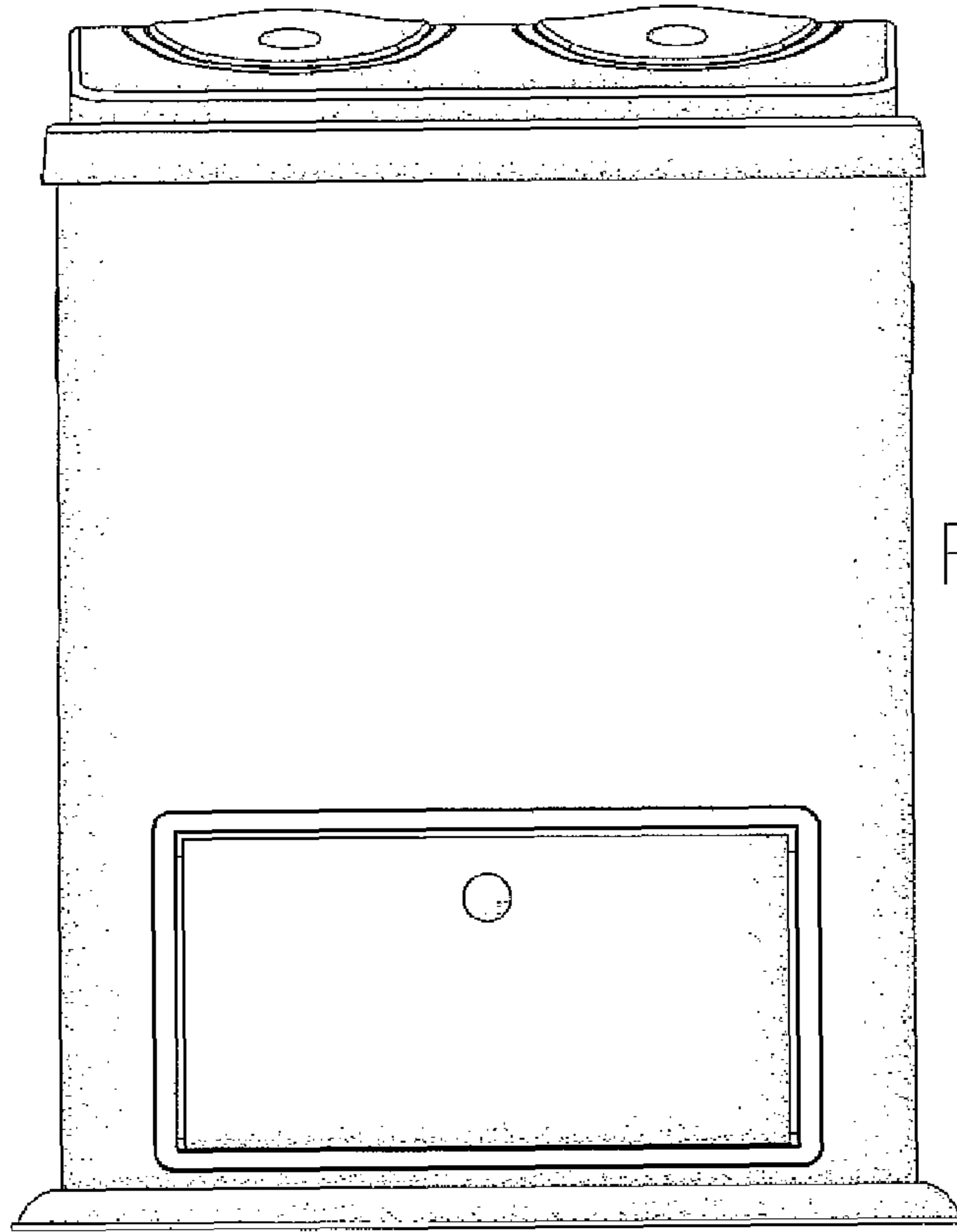


Fig. 2

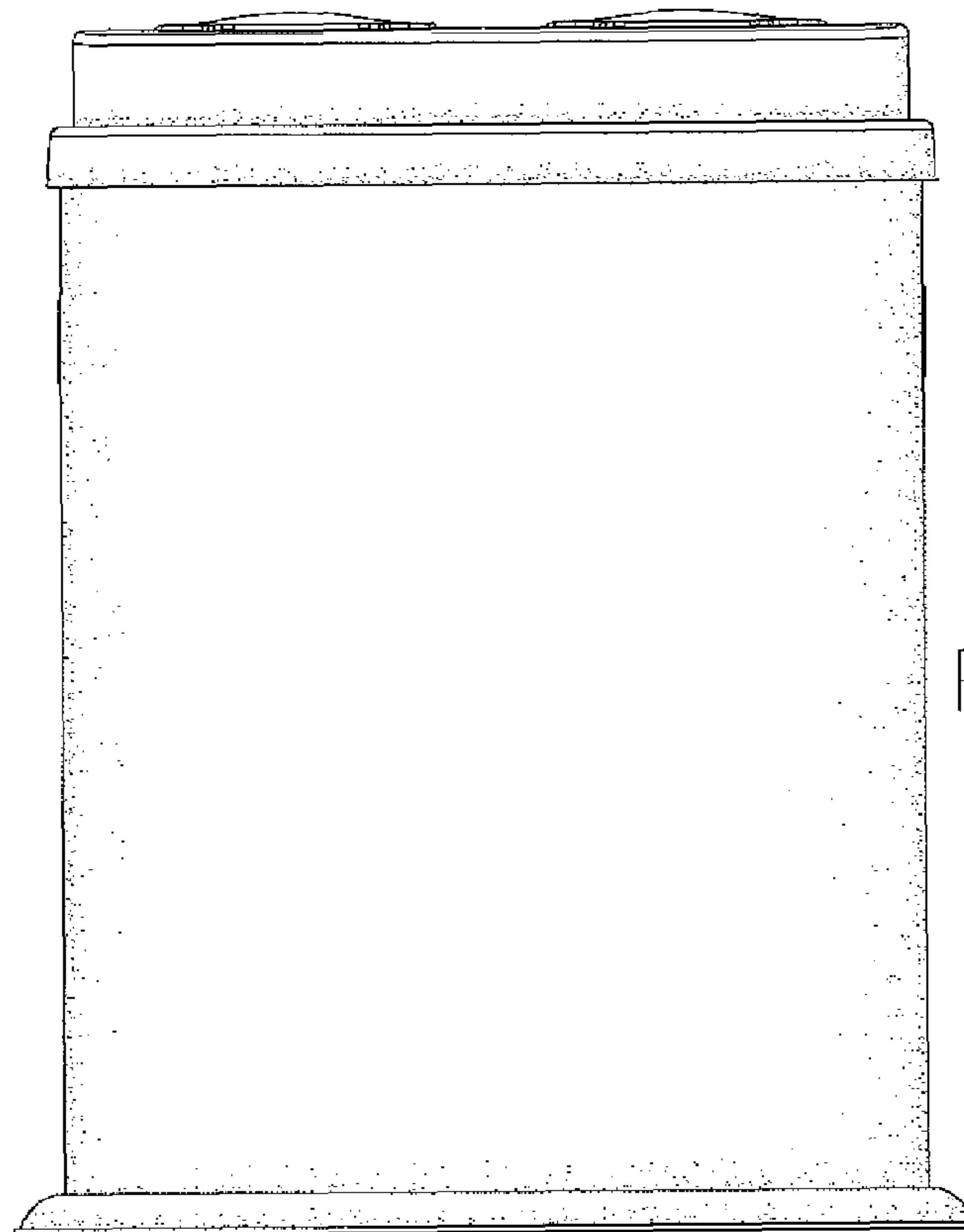


Fig. 3

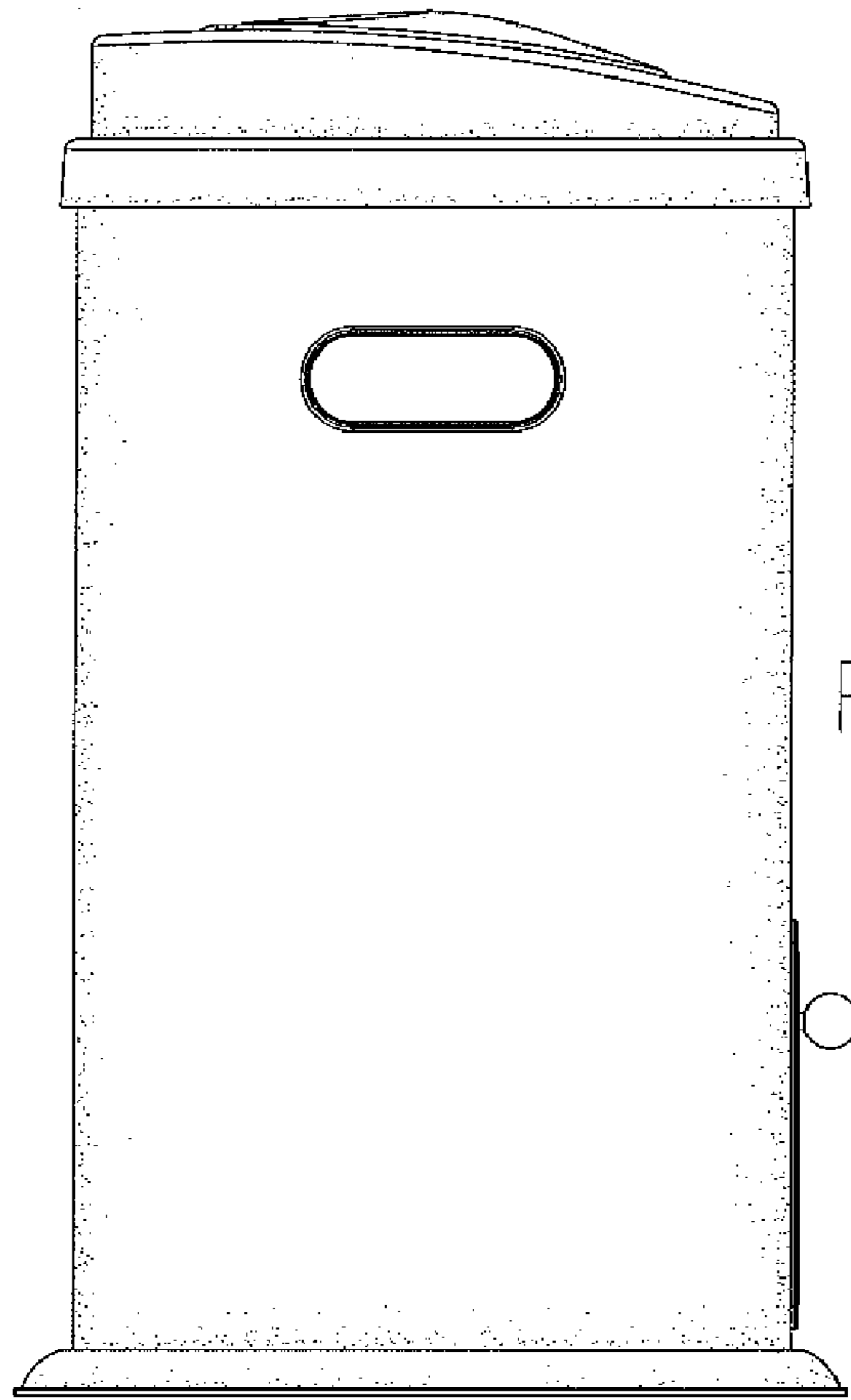


Fig. 4

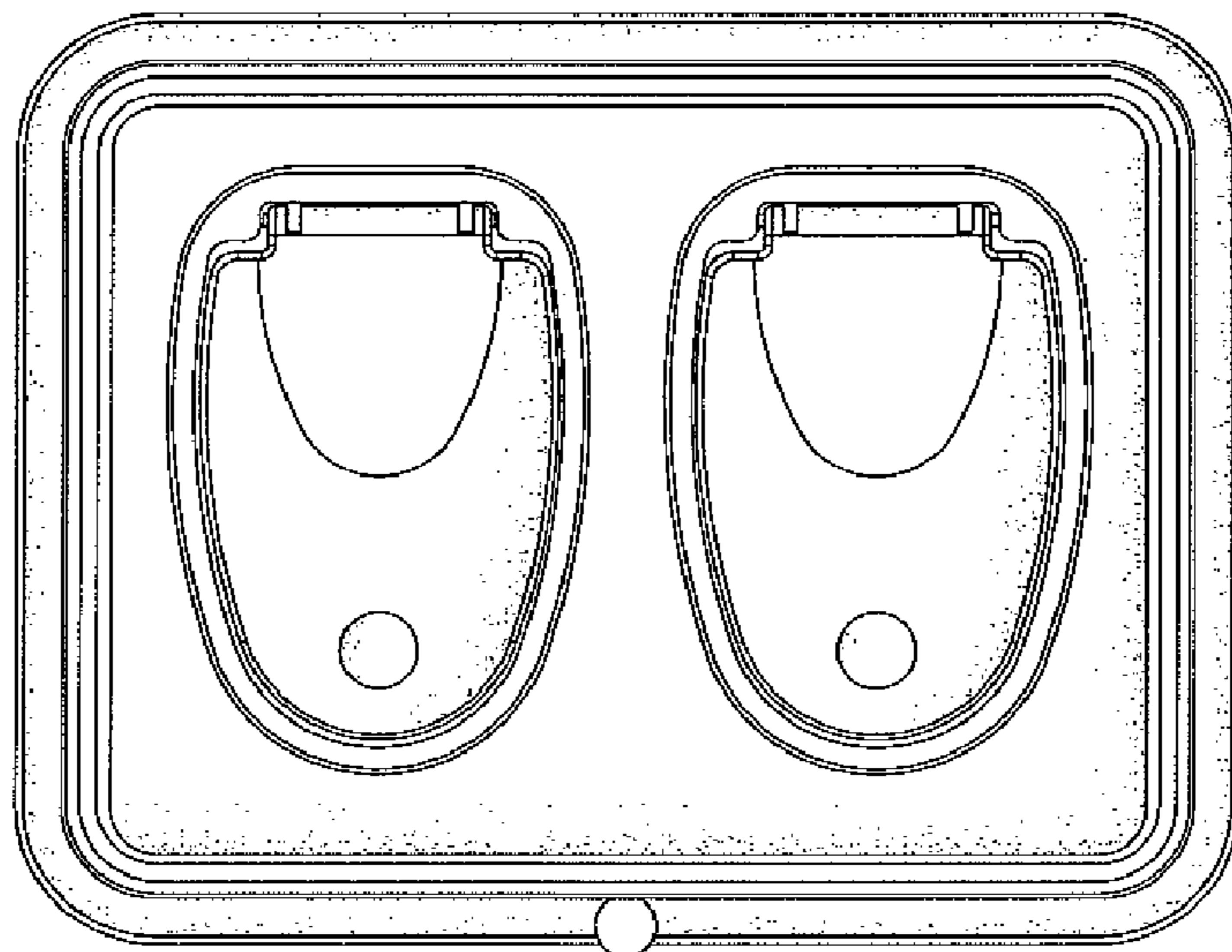


Fig. 5