



US00D587418S

(12) **United States Design Patent**
Mizoguchi

(10) **Patent No.:** **US D587,418 S**

(45) **Date of Patent:** **** Feb. 24, 2009**

(54) **STEAM IRON**

(75) Inventor: **Yuko Mizoguchi**, Kadoma (JP)

(73) Assignee: **Panasonic Corporation**, Kadoma-shi (JP)

(**) Term: **14 Years**

(21) Appl. No.: **29/283,322**

(22) Filed: **Aug. 10, 2007**

(30) **Foreign Application Priority Data**

Mar. 1, 2007 (JP) 2007-005221

(51) **LOC (9) Cl.** **07-05**

(52) **U.S. Cl.** **D32/68**

(58) **Field of Classification Search** D32/68-72;
38/77.1-77.9, 74, 88, 90, 77.81; 219/245-248
See application file for complete search history.

(56) **References Cited**

U.S. PATENT DOCUMENTS

- D313,683 S * 1/1991 Tien-Lai D32/68
- D370,103 S 5/1996 Gudefin
- D370,104 S 5/1996 Gudefin
- D391,721 S 3/1998 Kondo
- D409,807 S 5/1999 Kondo
- D413,005 S 8/1999 Taylor
- D423,162 S 4/2000 Sugimoto
- D443,963 S 6/2001 Gudefin
- 6,249,996 B1 * 6/2001 Dorber et al. 38/77.5
- D468,070 S 12/2002 Fujita
- D468,505 S 1/2003 Fujita
- D470,286 S 2/2003 Hada
- D490,953 S * 6/2004 Fujita D32/70
- D516,764 S 3/2006 Kihara

- D524,004 S * 6/2006 Picozza et al. D32/70
- D530,474 S * 10/2006 Barquin Santillan D32/70
- D530,872 S * 10/2006 Barquin Santillan et al. . D32/70
- D531,371 S * 10/2006 Barquin Santillan et al. . D32/70
- D538,990 S * 3/2007 Poon D32/70
- D544,165 S * 6/2007 Massip et al. D32/70

FOREIGN PATENT DOCUMENTS

- CN 0131048.2 S 10/2001
- CN 02300291.3 S 11/2002
- CN 02301791.0 S 11/2002
- CN 200530117320.7 S 5/2006
- CN 200530118390.4 S 5/2006
- JP D1198703 S 3/2004

* cited by examiner

Primary Examiner—Pamela J Burgess

(74) *Attorney, Agent, or Firm*—Christensen O'Connor Johnson Kindness PLLC

(57) **CLAIM**

The ornamental design for a steam iron, as shown and described.

DESCRIPTION

FIG. 1 is a perspective view of the top, front and right side of a steam iron showing my new design;

FIG. 2 is a front view thereof;

FIG. 3 is a rear view thereof;

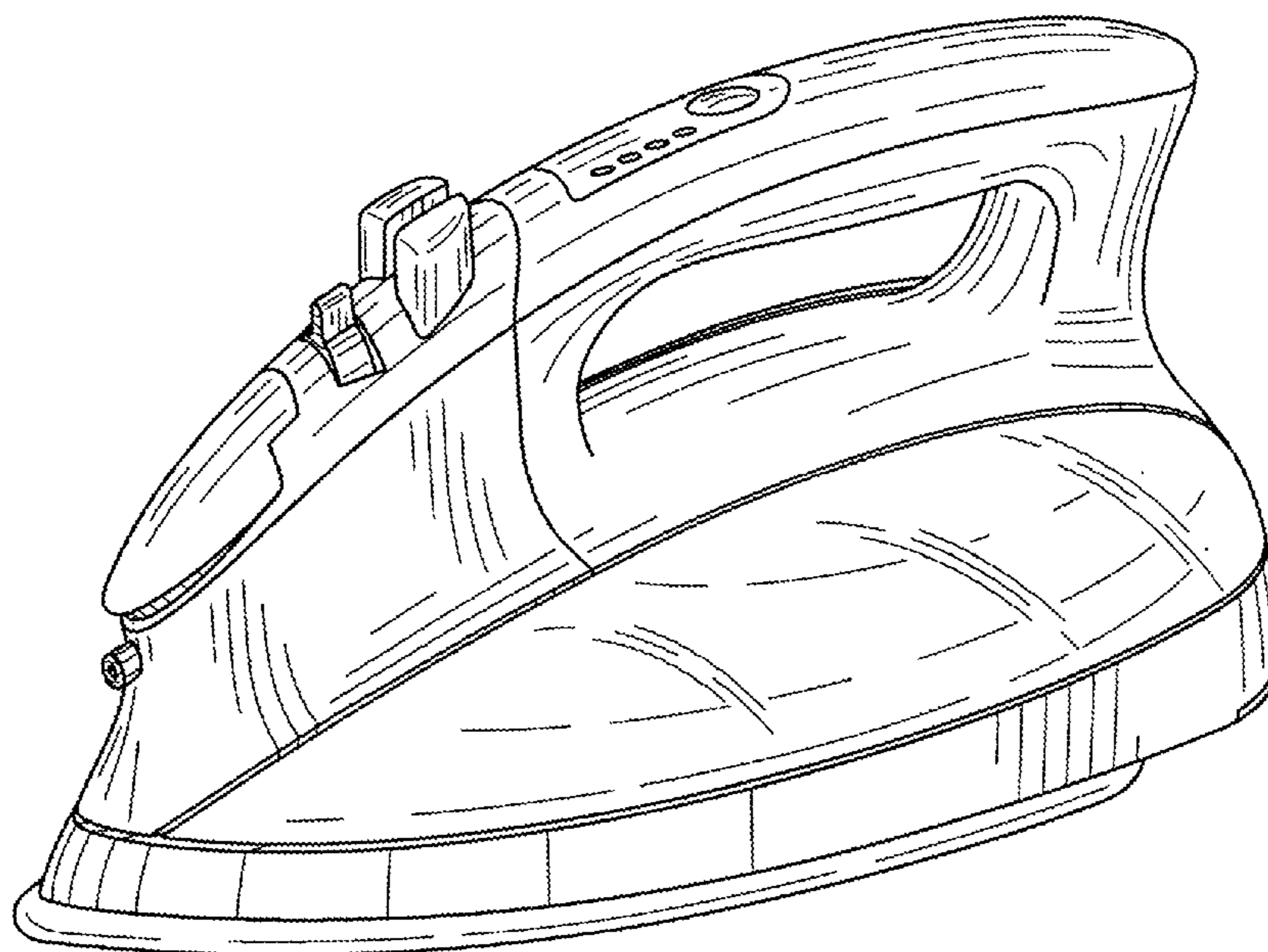
FIG. 4 is a right side view thereof;

FIG. 5 is a left side view thereof;

FIG. 6 is a top plan view thereof; and,

FIG. 7 is a bottom view thereof.

1 Claim, 4 Drawing Sheets



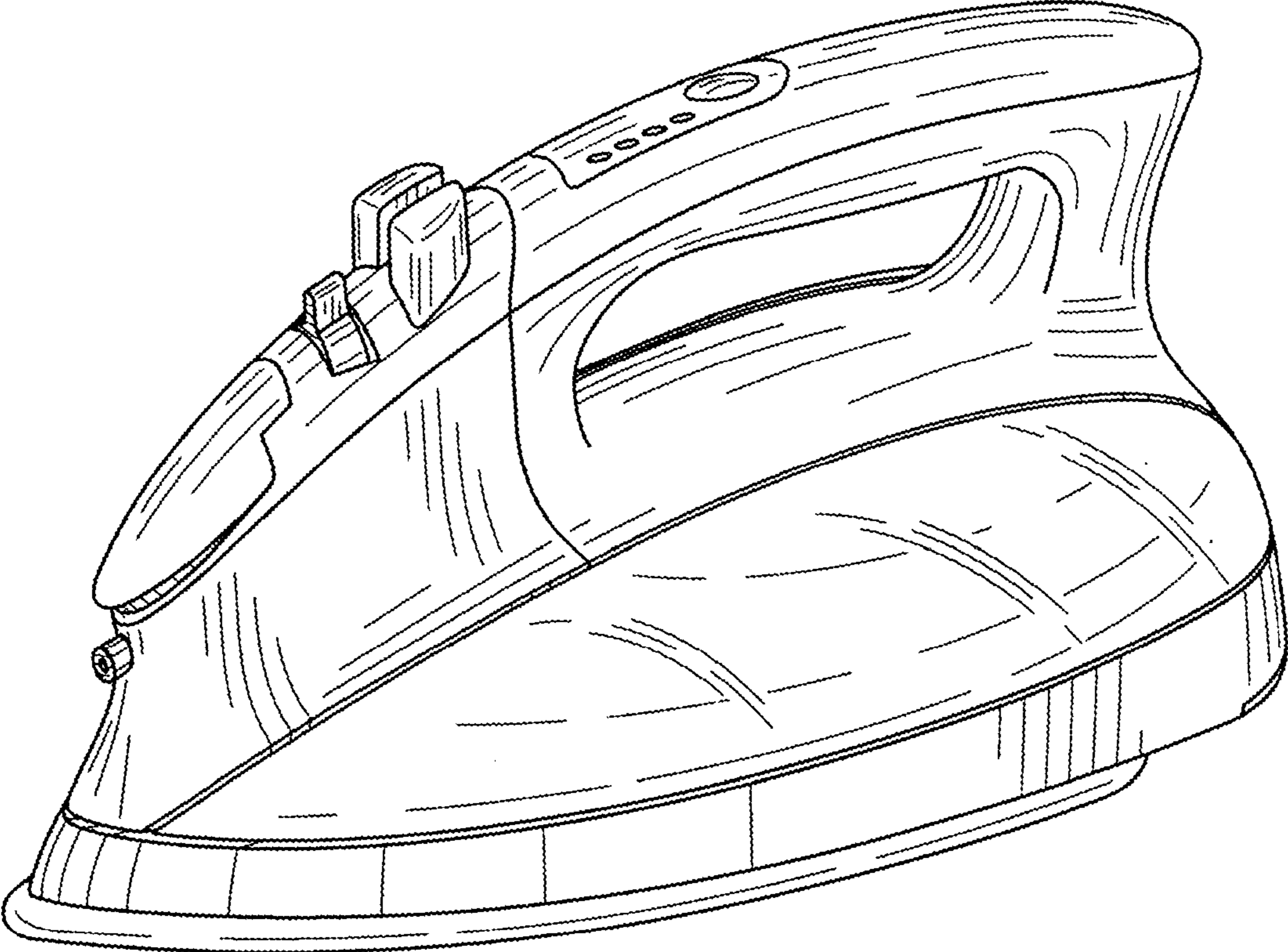


Fig. 1.

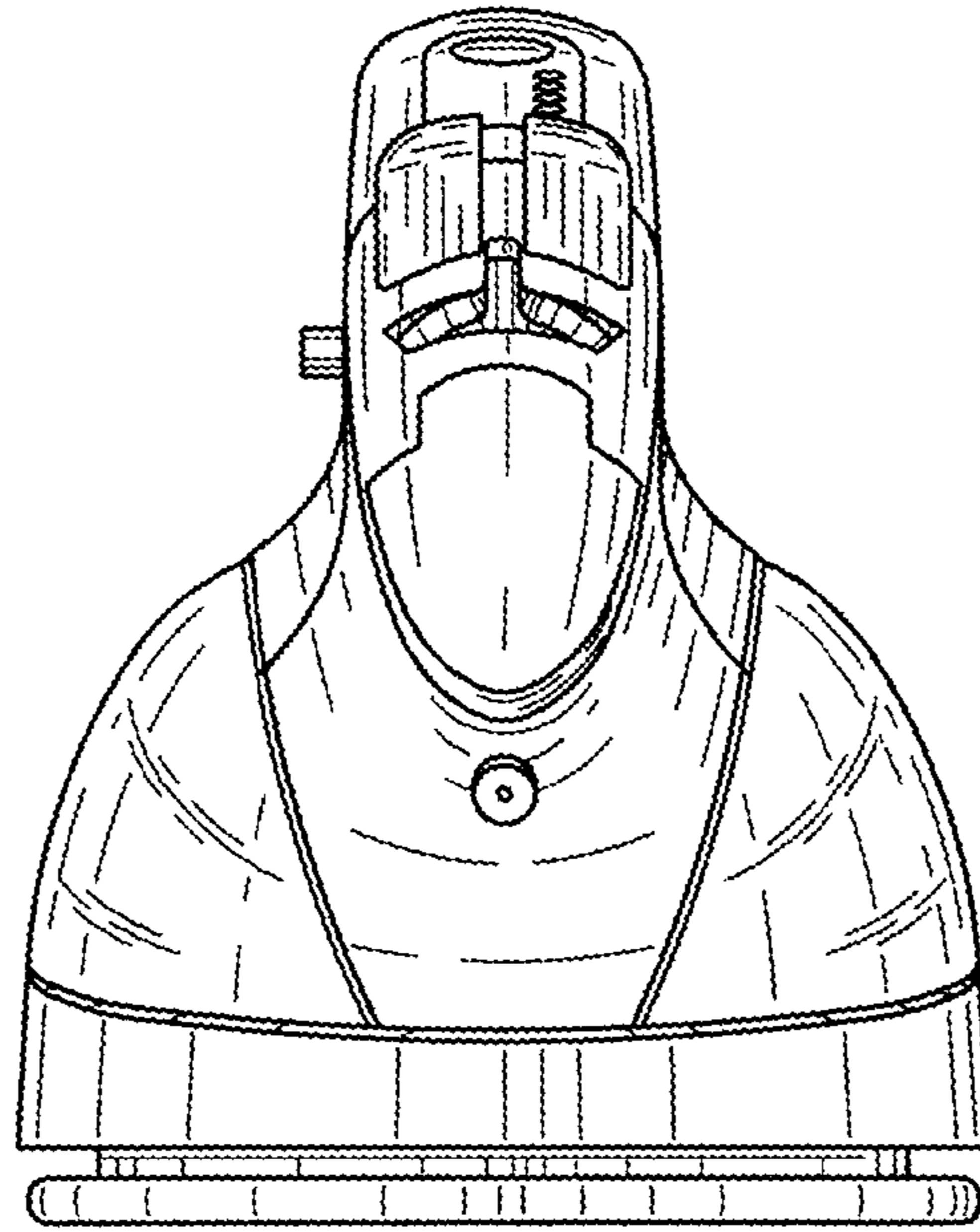


Fig. 2.

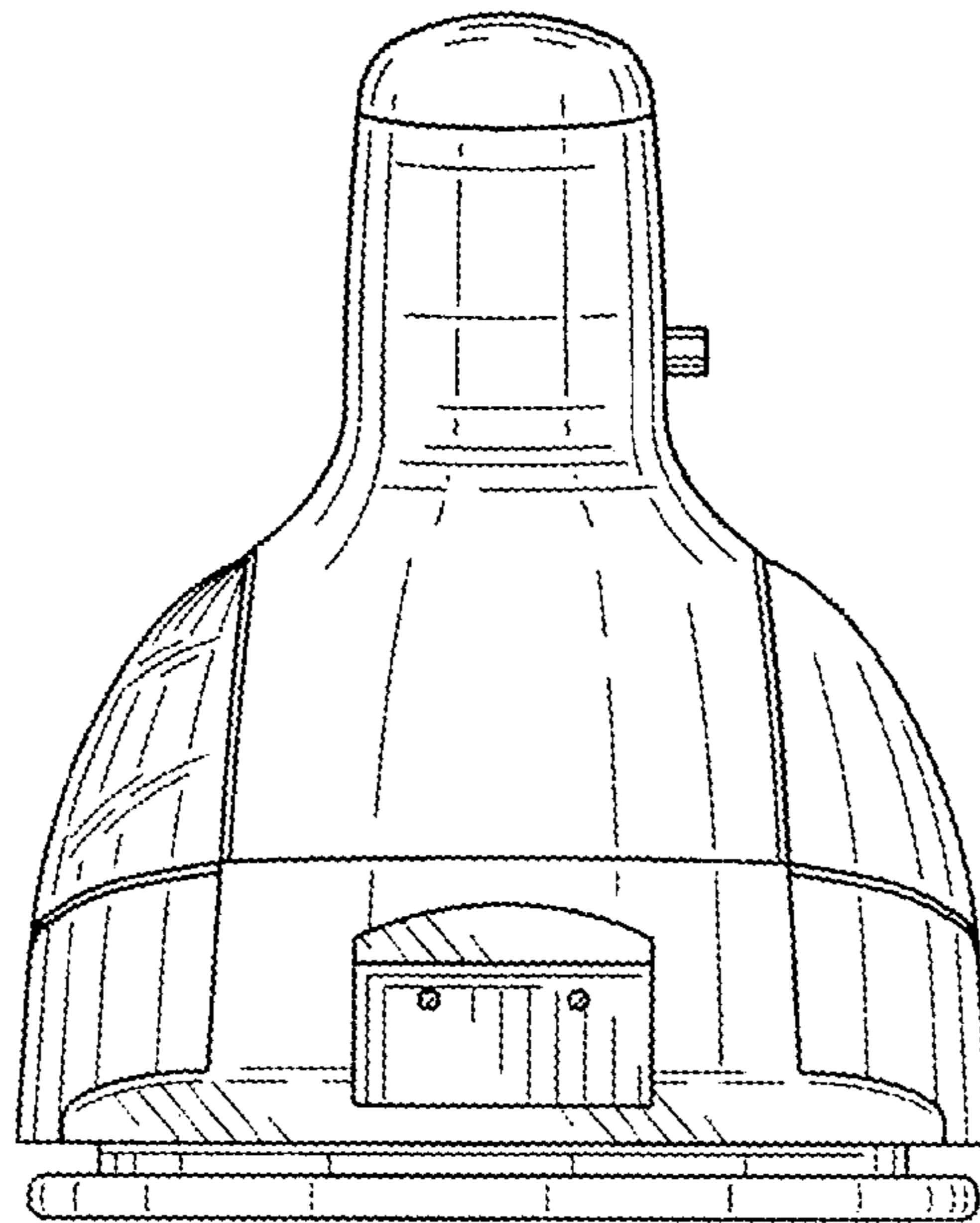


Fig. 3.

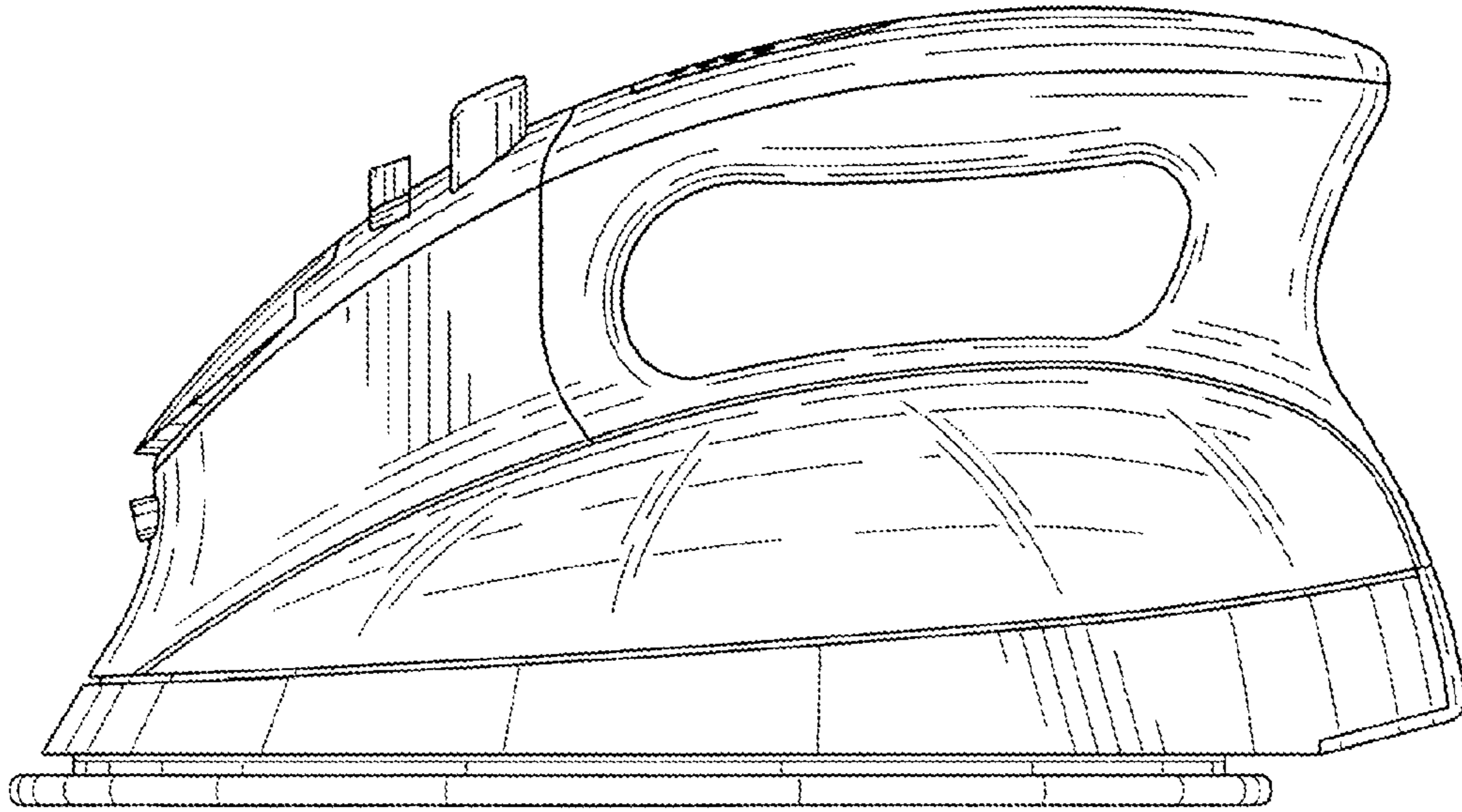


Fig. 4.

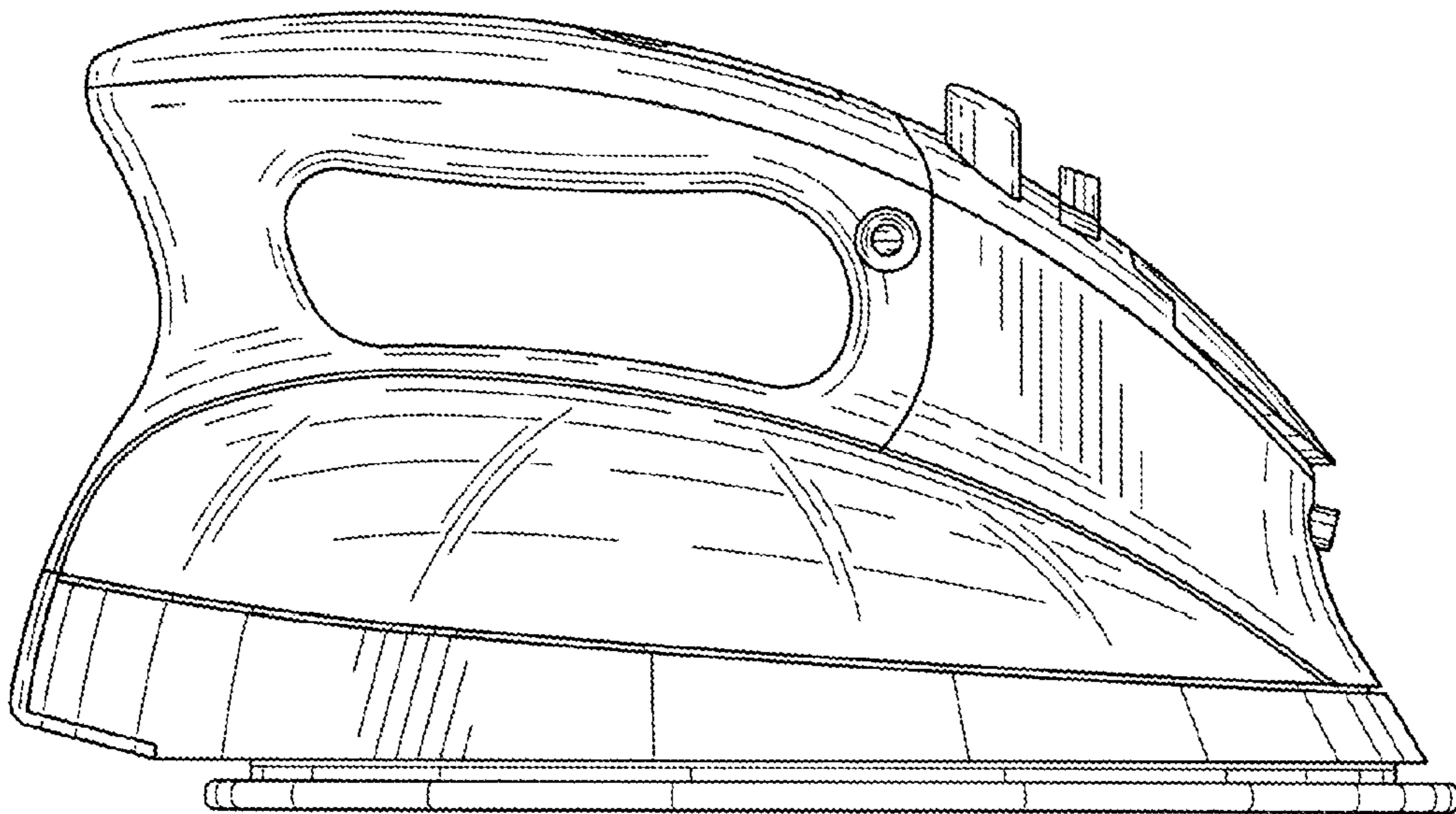


Fig. 5.

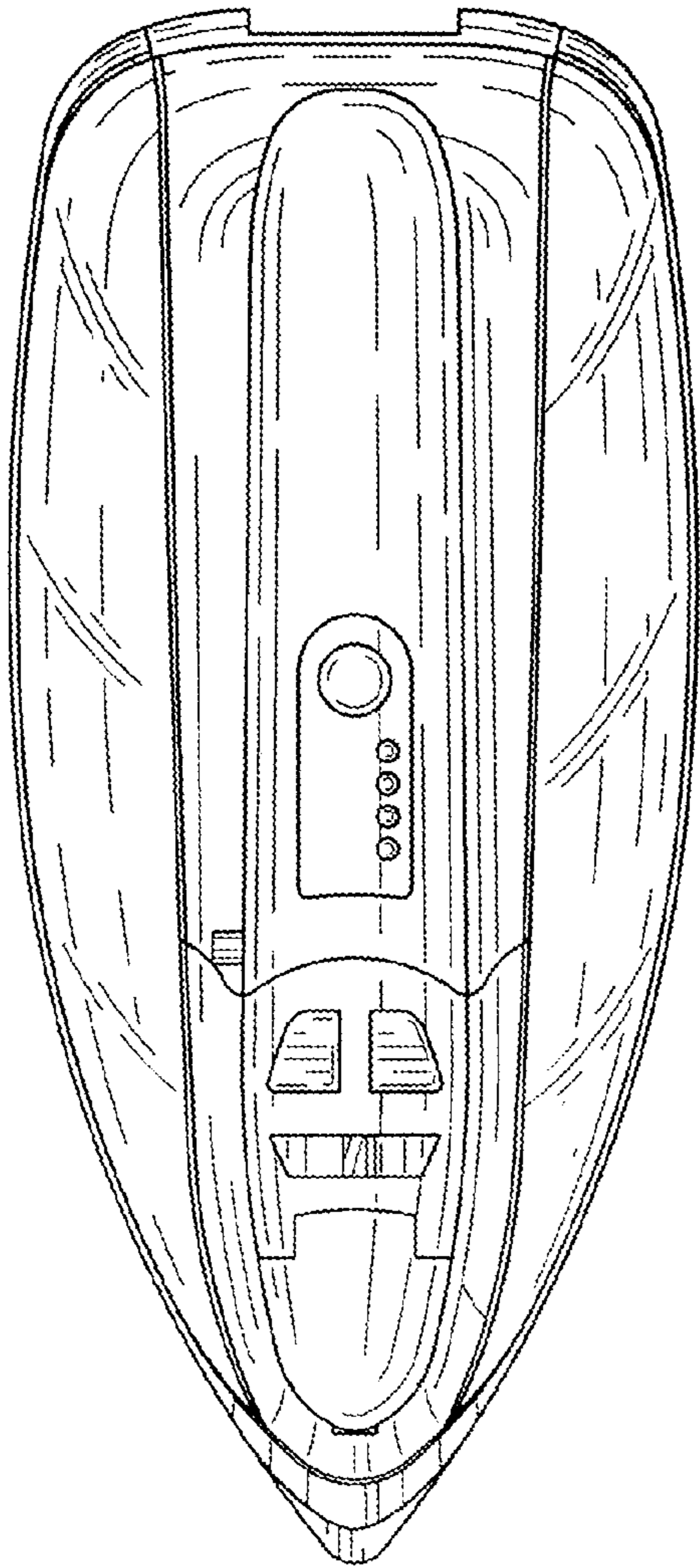


Fig. 6.

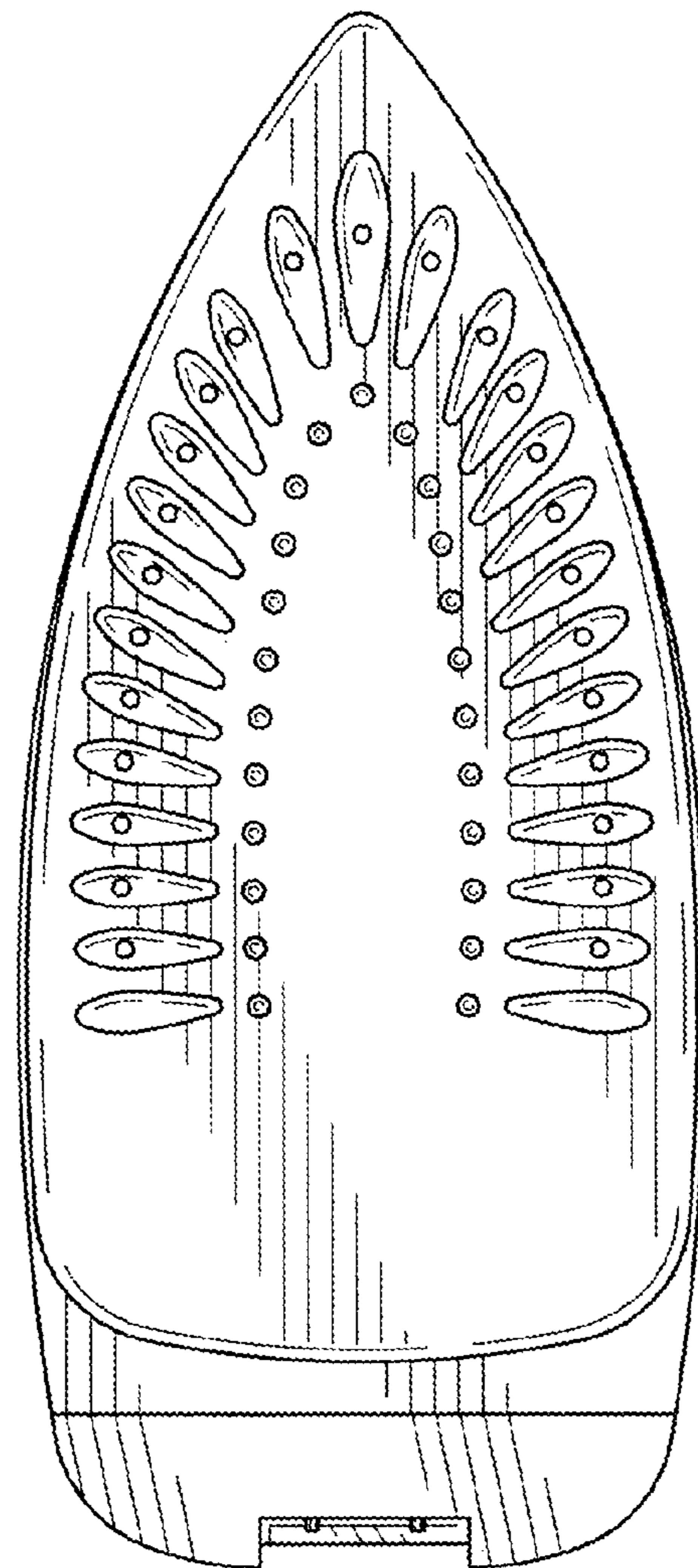


Fig. 7.