



US00D587414S

(12) **United States Design Patent**
Griffin et al.

(10) **Patent No.:** **US D587,414 S**
(45) **Date of Patent:** **** Feb. 24, 2009**

(54) **VACUUM CLEANER**

(75) Inventors: **John Griffin**, Phoenix, AZ (US); **Robert L. Crevling, Jr.**, Williamsport, PA (US)

(73) Assignee: **Shop-Vac Corporation**, Williamsport, PA (US)

(**) Term: **14 Years**

(21) Appl. No.: **29/286,567**

(22) Filed: **May 11, 2007**

(51) **LOC (9) Cl.** **15-05**

(52) **U.S. Cl.** **D32/31**

(58) **Field of Classification Search** D32/21,
D32/23-24, 31, 15-16; D23/225; 15/320-321,
15/353, 323, 327.1-327.7, 329, 339, 412,
15/340.2, 344, 347; 55/DIG. 2

See application file for complete search history.

(56) **References Cited**

U.S. PATENT DOCUMENTS

D426,359 S	6/2000	Griffin et al.	D32/31
D429,857 S	8/2000	Griffin	D32/23
D430,367 S	8/2000	Griffin	D32/23
D439,710 S	3/2001	Griffin	D32/31
D444,276 S	6/2001	Griffin	D32/31
D446,892 S	8/2001	Griffin	D32/23
D447,293 S	8/2001	Griffin	D32/23
D447,842 S	9/2001	Griffin	D32/23
D447,843 S *	9/2001	Griffin	D32/23
D460,230 S	7/2002	Griffin	D32/31
D506,042 S *	6/2005	Griffin et al.	D32/21
D507,386 S	7/2005	Griffin et al.	D32/21
D527,504 S *	8/2006	Griffin et al.	D32/21
D528,255 S *	9/2006	Griffin et al.	D32/21

OTHER PUBLICATIONS

- U.S. Appl. No. 29/279,921, Griffin, filed May 11, 2007.
- U.S. Appl. No. 29/279,922, Griffin et al., filed May 11, 2007.
- U.S. Appl. No. 29/279,924, Griffin, filed May 11, 2007.
- U.S. Appl. No. 29/279,946, Griffin et al., filed May 11, 2007.
- U.S. Appl. No. 29/279,947, Griffin et al., filed May 11, 2007.
- U.S. Appl. No. 29/279,957, Griffin et al., filed May 11, 2007.
- U.S. Appl. No. 29/279,962, Griffin et al., filed May 11, 2007.
- U.S. Appl. No. 29/286,572, Griffin et al., filed May 11, 2007.
- Shop-Vac Brochure, Ultra Pump Vac, dated 2002.
- Shop-Vac Brochure, Ultra Plus, dated 2006, No copy of Ultra Pro.
- Shop-Vac Brochure, QSP Pro, dated 1998.
- Karcher Catalogue, High Performance Wet and Dry Vacuums, Dust Extraction and Spray Extraction Machines, dated 1999.

* cited by examiner

Primary Examiner—Ruth McInroy

(74) *Attorney, Agent, or Firm*—Marshall, Gerstein & Borun LLP

(57) **CLAIM**

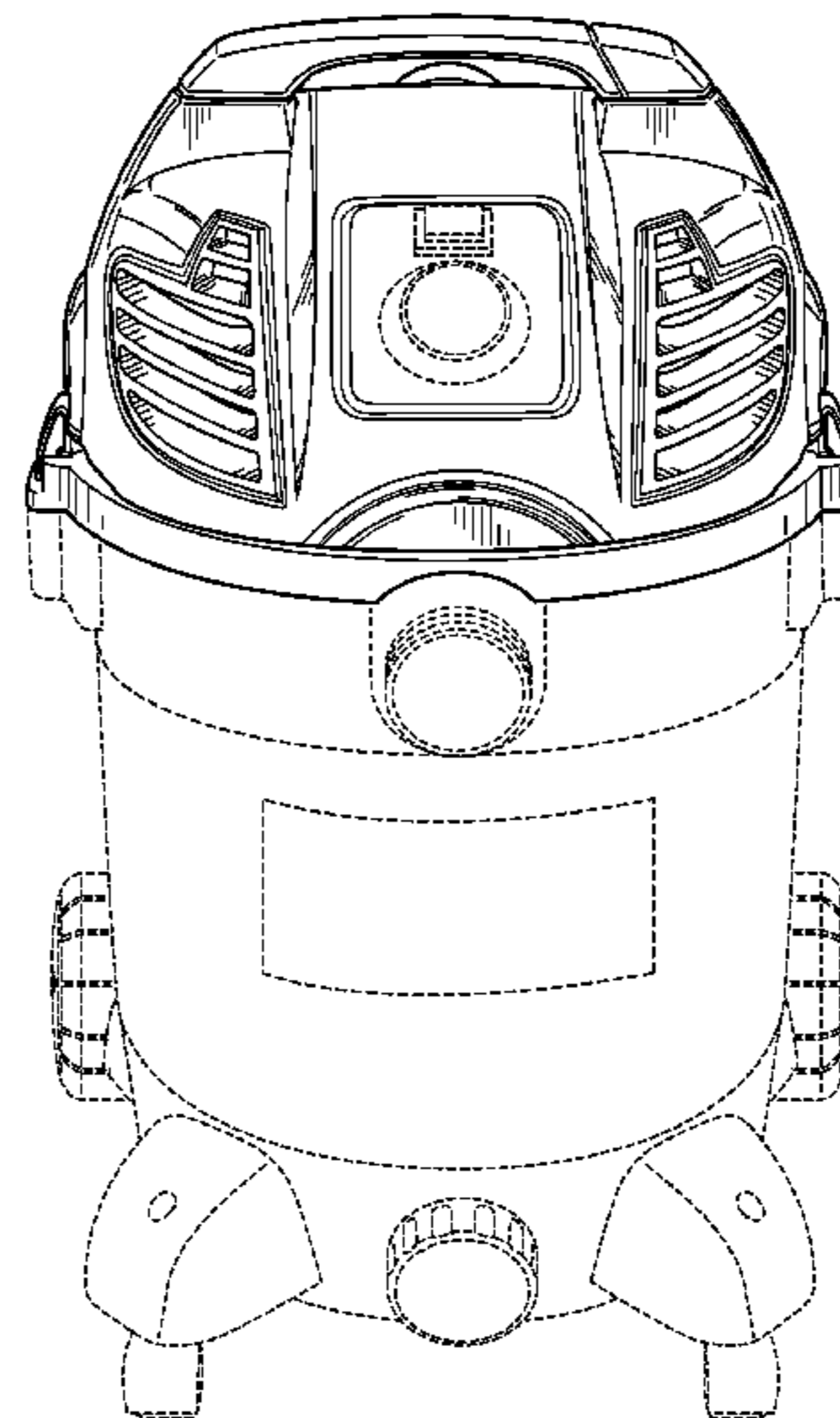
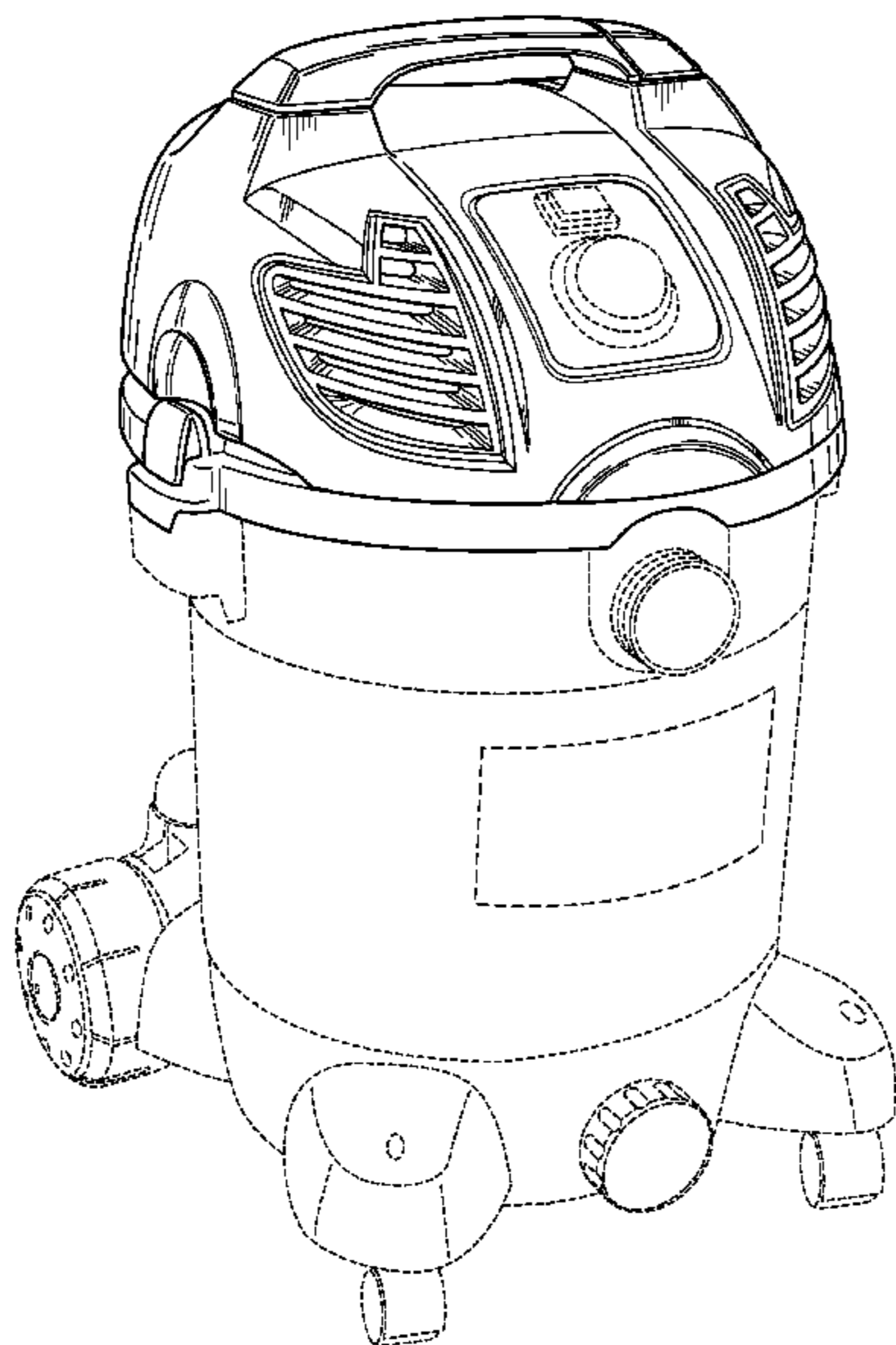
We claim the ornamental design for a vacuum cleaner, as shown and described.

DESCRIPTION

- FIG. 1 is a front and right-side perspective view of a vacuum cleaner showing my new design;
- FIG. 2 is a front view thereof;
- FIG. 3 is a left-front view thereof;
- FIG. 4 is a left-rear view thereof;
- FIG. 5 is a right-side view thereof.
- FIG. 6 is a rear view thereof; and,
- FIG. 7 is a top view thereof.

The details shown in broken lines form no part of the claimed design.

1 Claim, 7 Drawing Sheets



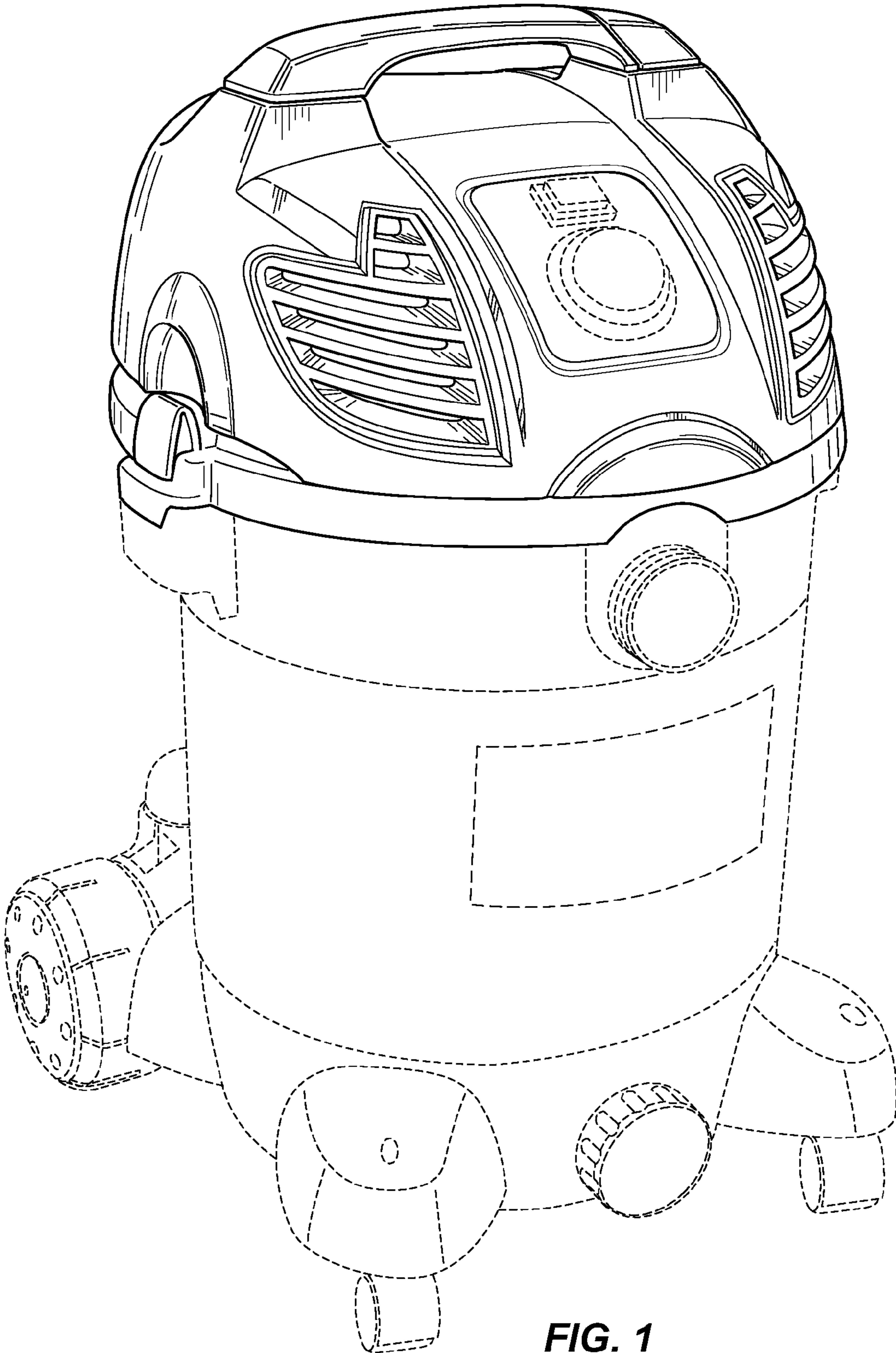


FIG. 1

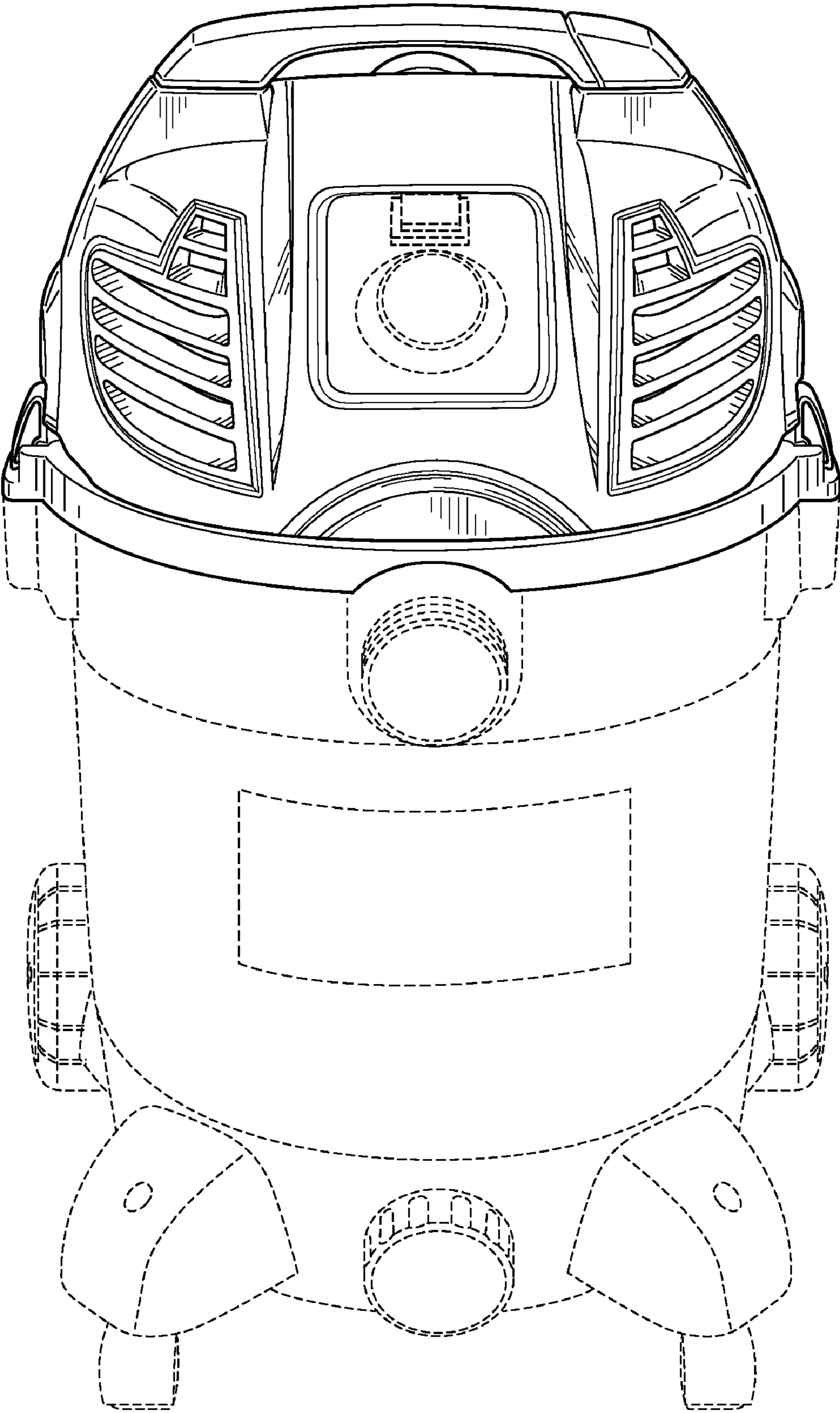


FIG. 2

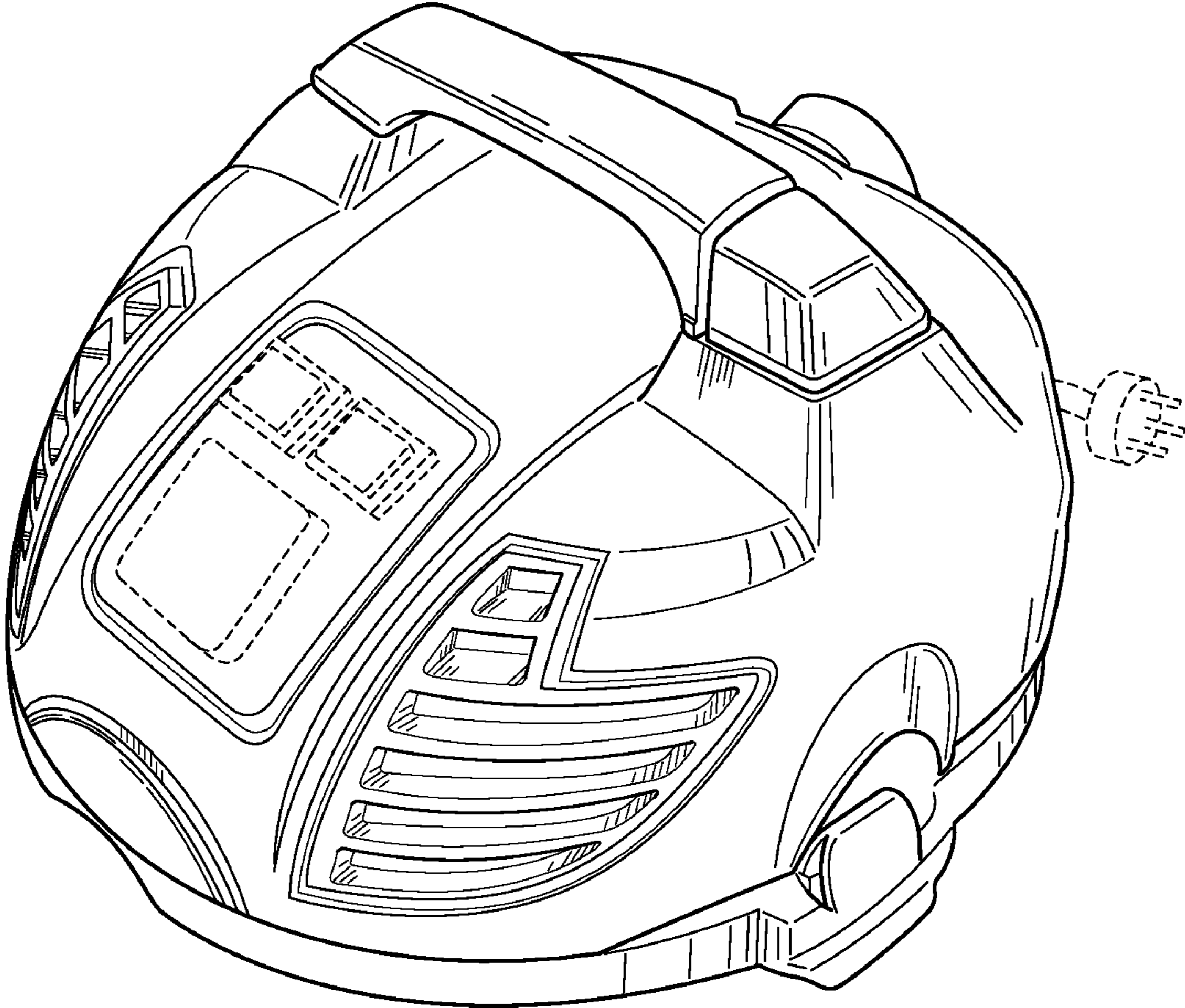


FIG. 3

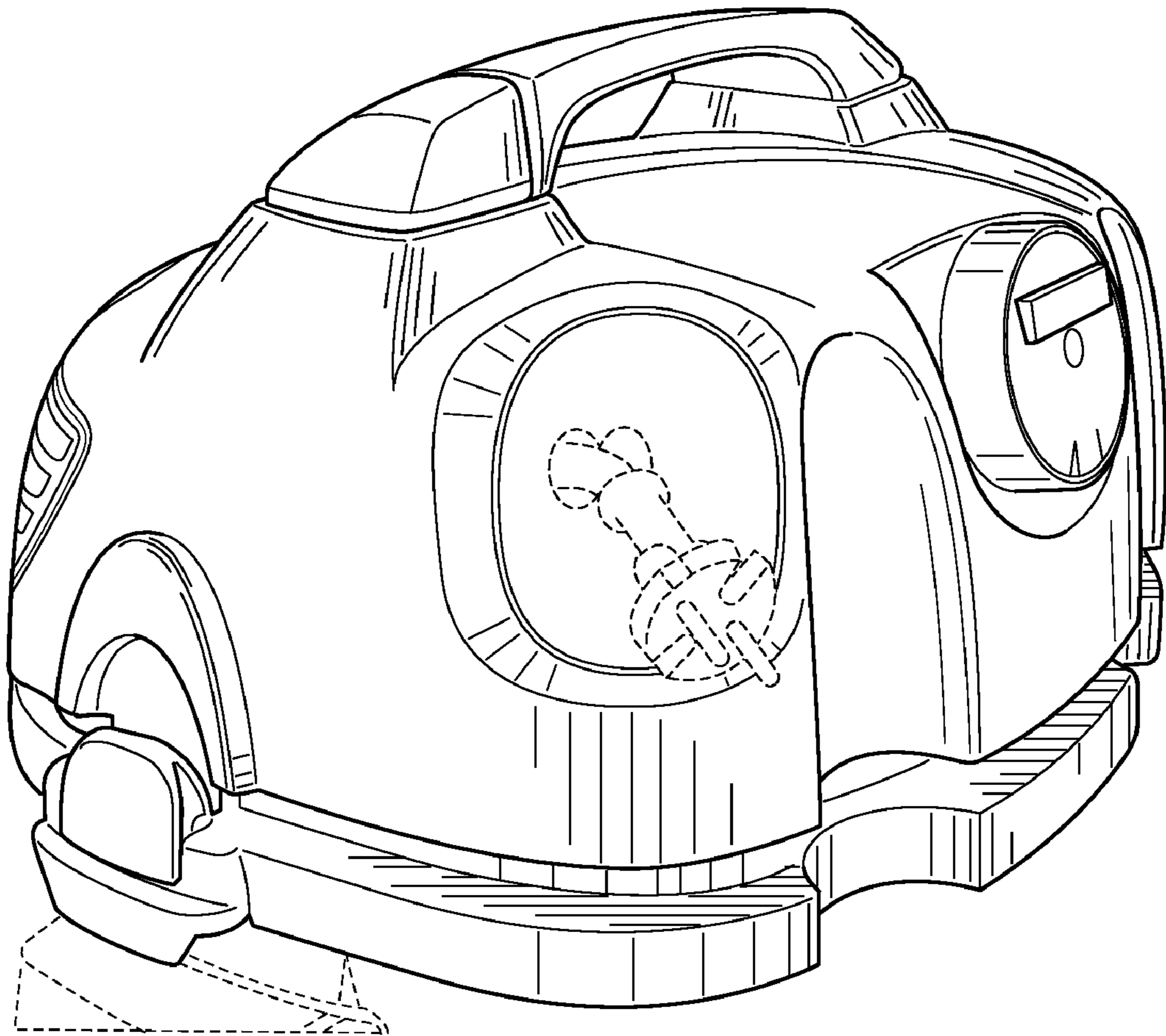


FIG. 4

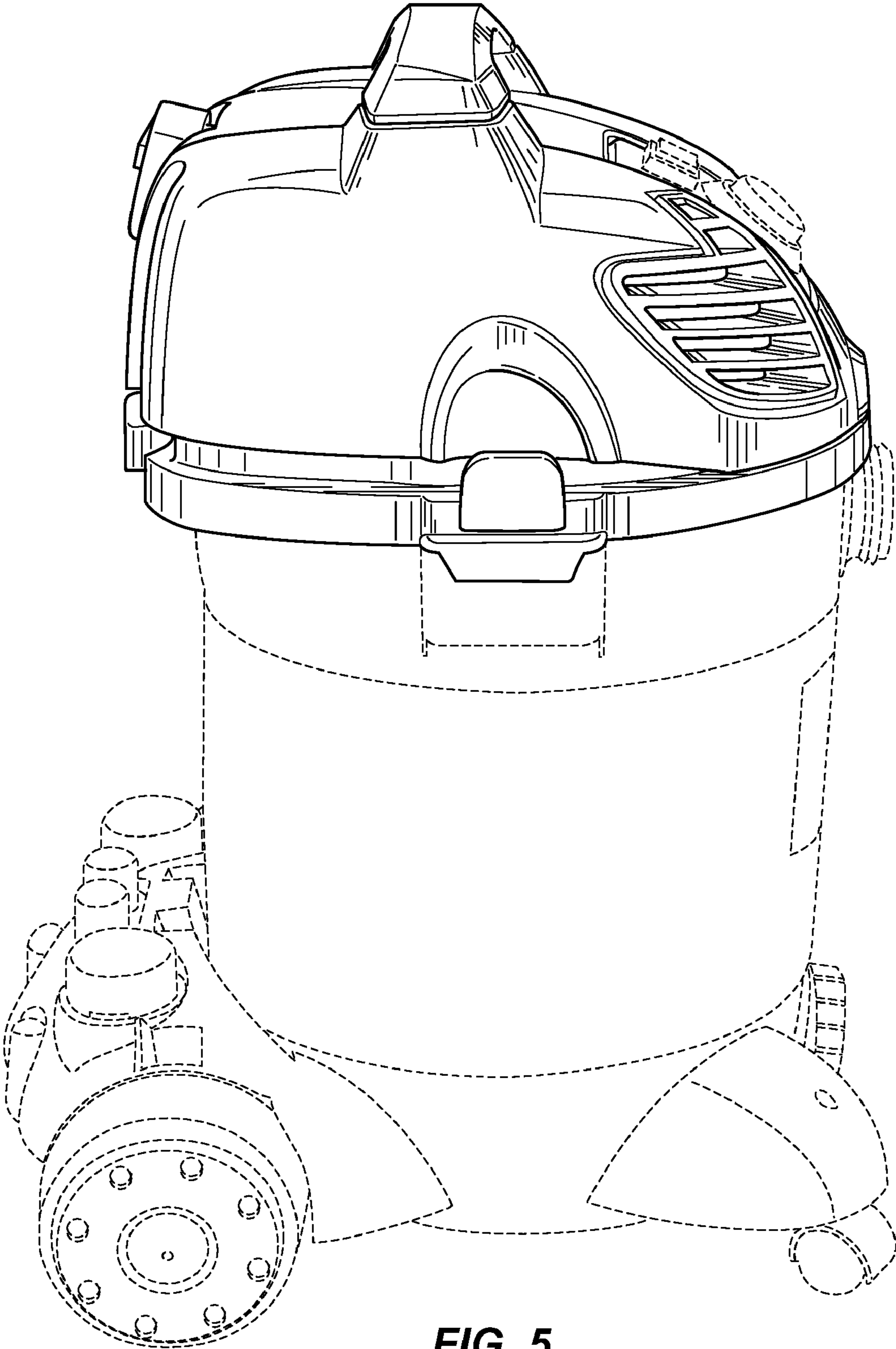


FIG. 5

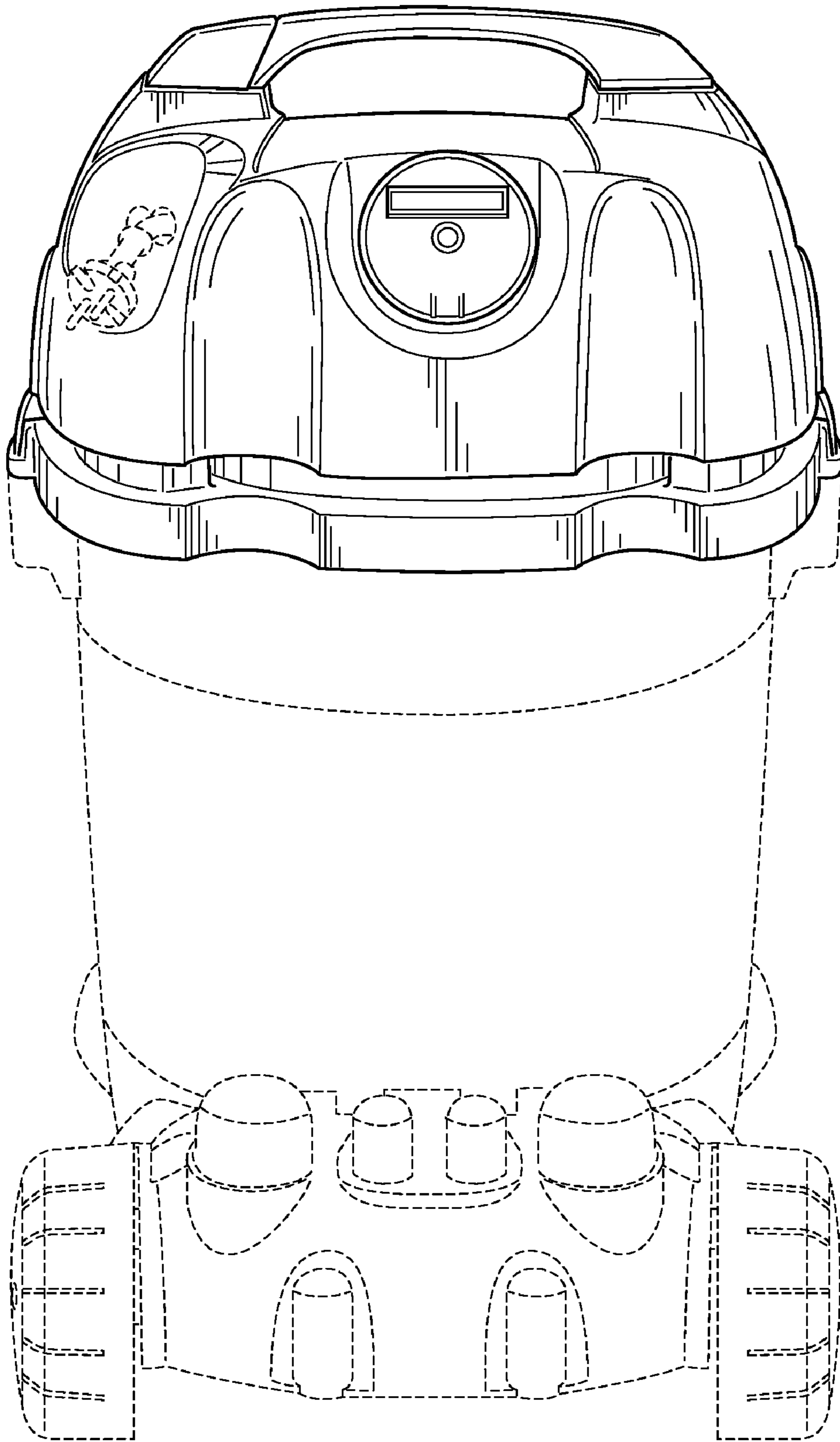


FIG. 6

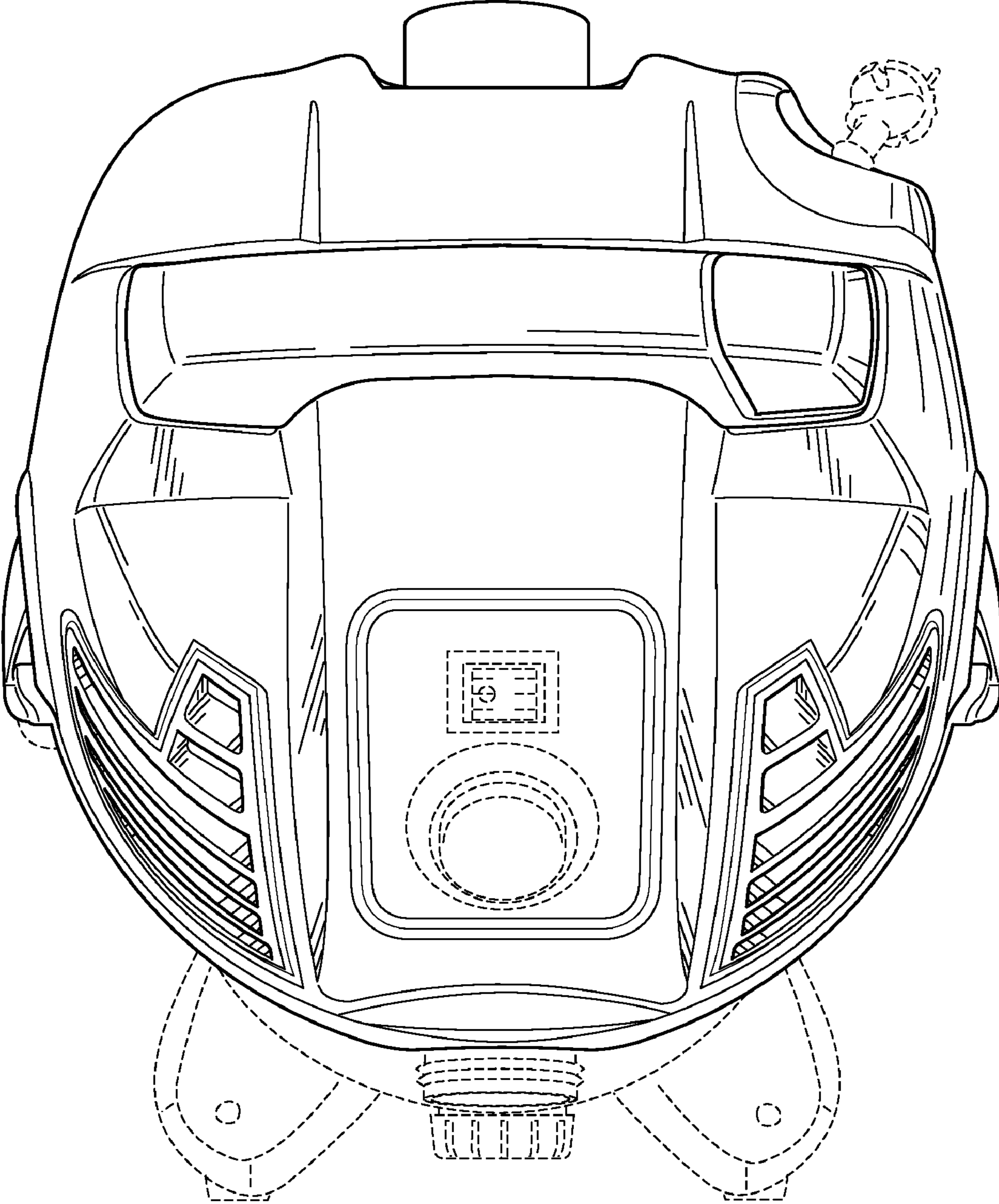


FIG. 7