



US00D587412S

(12) **United States Design Patent**
Oka

(10) **Patent No.:** **US D587,412 S**

(45) **Date of Patent:** **** Feb. 24, 2009**

(54) **PORTABLE DOG TOILET**

(75) Inventor: **Yukito Oka**, Tokyo (JP)

(73) Assignee: **Mie Oka**, Tokyo (JP)

(**) Term: **14 Years**

(21) Appl. No.: **29/248,363**

(22) Filed: **Aug. 11, 2006**

(51) **LOC (9) Cl.** **30-99**

(52) **U.S. Cl.** **D30/162**

(58) **Field of Classification Search** D30/162;
D7/691-692; D8/10, 13; 119/161, 163,
119/165-166; 172/378, 380; 209/219, 418-419;
294/1.3, 1.4, 1.5, 49, 51, 54.5, 55
See application file for complete search history.

(56) **References Cited**

U.S. PATENT DOCUMENTS

3,744,453	A *	7/1973	Deitch	119/161
3,777,708	A *	12/1973	Vogt	294/1.5
3,786,780	A *	1/1974	Pezzino	119/161
3,937,509	A *	2/1976	Hufnagel	294/1.4
3,942,832	A *	3/1976	Haas, Jr.	294/55
3,977,422	A *	8/1976	Cabaluna	294/1.4
4,012,067	A *	3/1977	Travis	294/1.4
D263,512	S *	3/1982	Kawada	D30/162
D279,512	S *	7/1985	Schaffer	D30/162
D290,416	S *	6/1987	Breuer	D30/162
D298,369	S *	11/1988	Shun et al.	D30/162
5,131,704	A *	7/1992	Li	294/1.4
D374,110	S *	9/1996	Hull et al.	D30/162
D406,927	S *	3/1999	Feldmeier	D30/162
D417,320	S *	11/1999	Nunez	D30/162
6,386,606	B1 *	5/2002	Marshall	294/1.5
D473,763	S *	4/2003	Jones	D30/162

6,702,349	B2 *	3/2004	Clements	294/1.5
6,942,264	B1 *	9/2005	Mendez	294/1.5
7,128,352	B1 *	10/2006	Phippen	294/1.5
2002/0096895	A1 *	7/2002	McCarthy	294/1.5
2006/0232083	A1 *	10/2006	Kamenkovich	294/1.5

* cited by examiner

Primary Examiner—Cathy Anne MacCormac

(74) *Attorney, Agent, or Firm*—Weiner & Burt, P.C.; Irving M. Weiner; Pamela S. Burt

(57) **CLAIM**

The ornamental design for a portable dog toilet, as shown and described.

DESCRIPTION

FIG. 1 is a front elevational view of a portable dog toilet showing the new design;

FIG. 2 is a rear elevational view thereof;

FIG. 3 is a left side elevational view thereof;

FIG. 4 is a right side elevational view thereof;

FIG. 5 is a top plan view thereof;

FIG. 6 is a bottom plan view thereof;

FIG. 7 is a view showing the state wherein a pull rod has been pulled out;

FIG. 8 is a sectional view thereof taken along line 8—8 of FIG. 1;

FIG. 9 is a perspective view thereof; and,

FIG. 10 is another perspective view thereof.

The broken lines in the drawings are for purposes of illustration only and form no part of the claimed design.

1 Claim, 5 Drawing Sheets

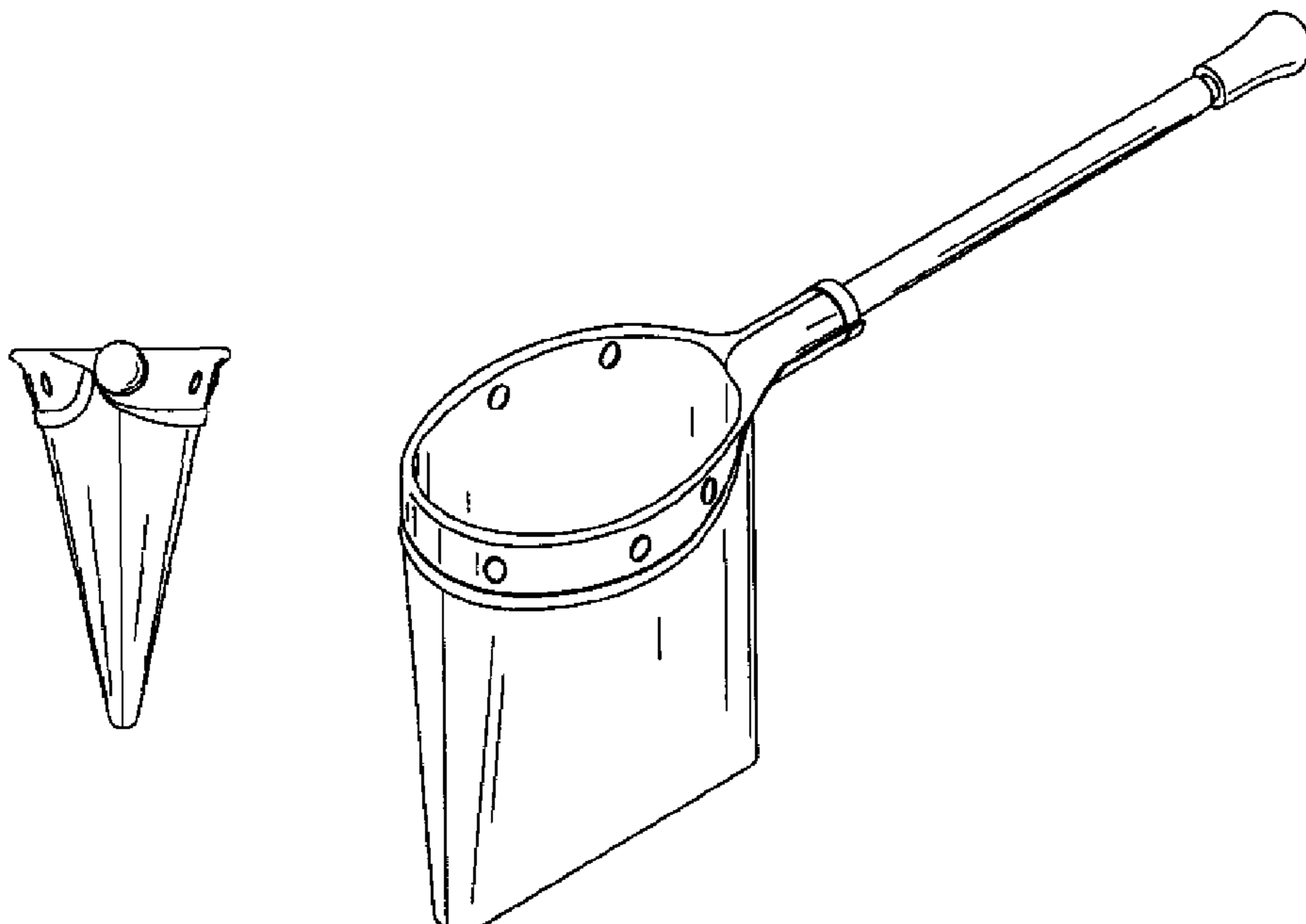


FIG. 1

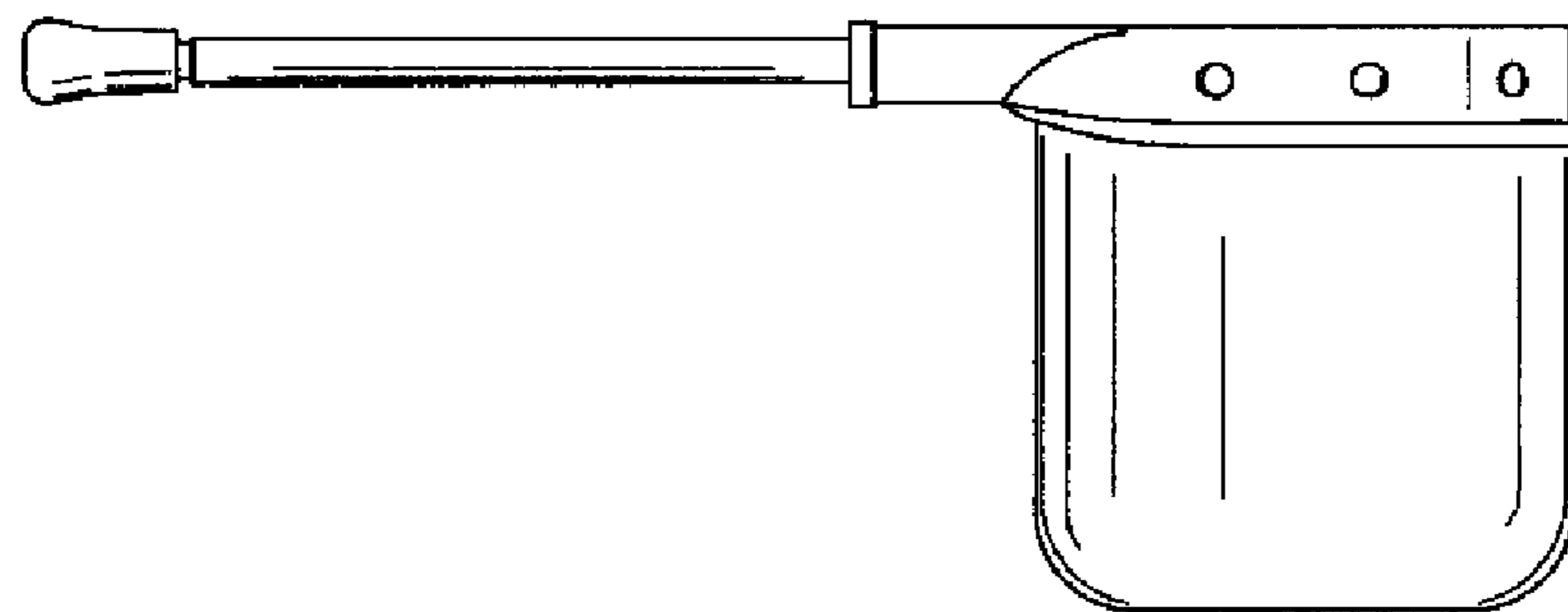
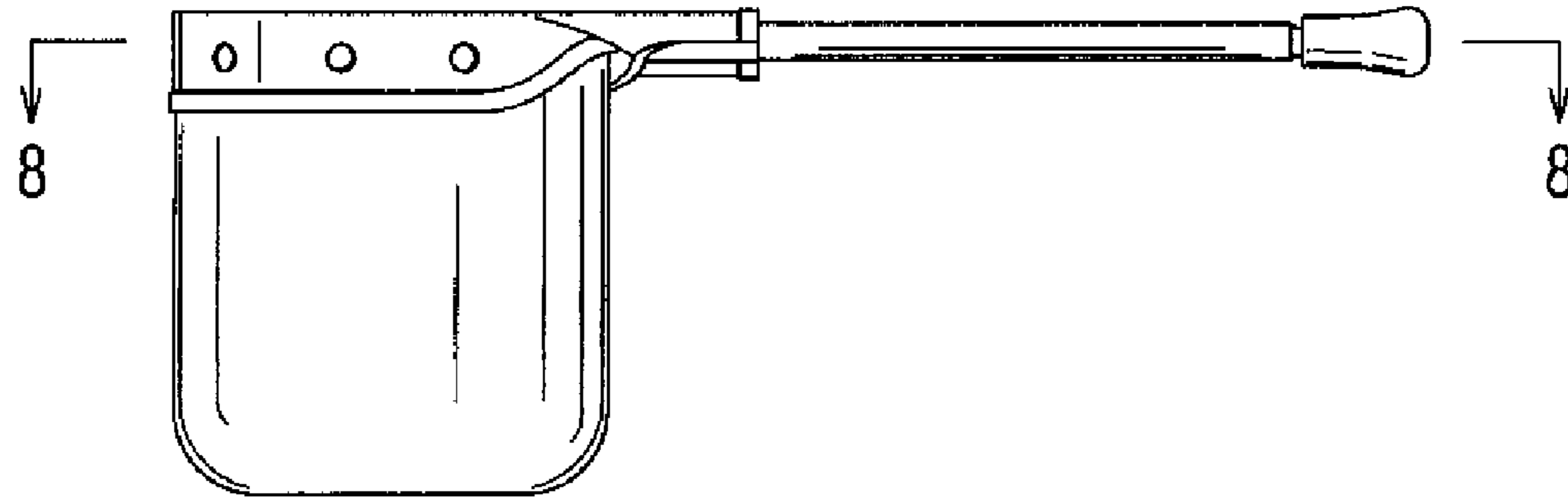


FIG. 2

FIG. 3

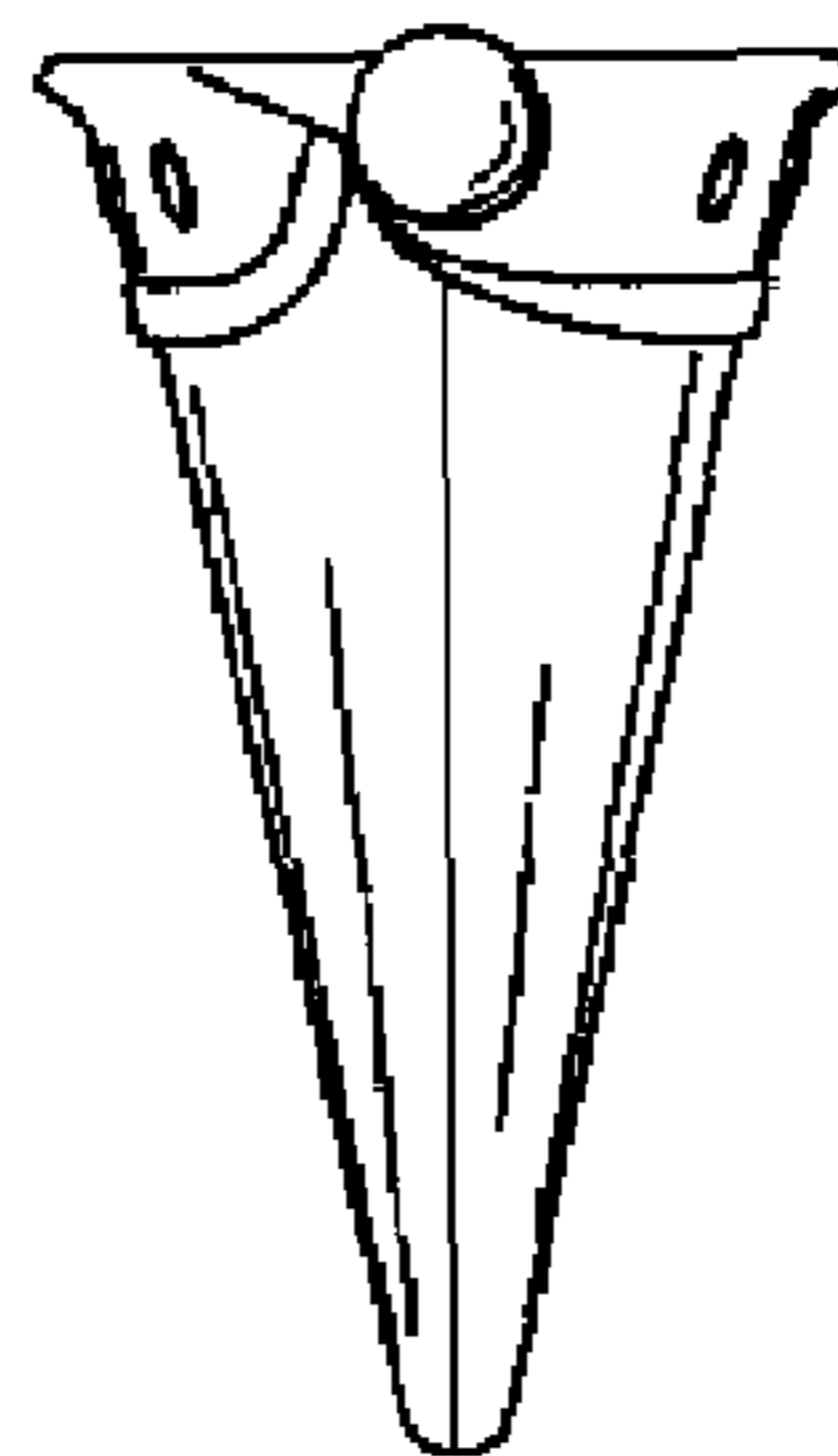
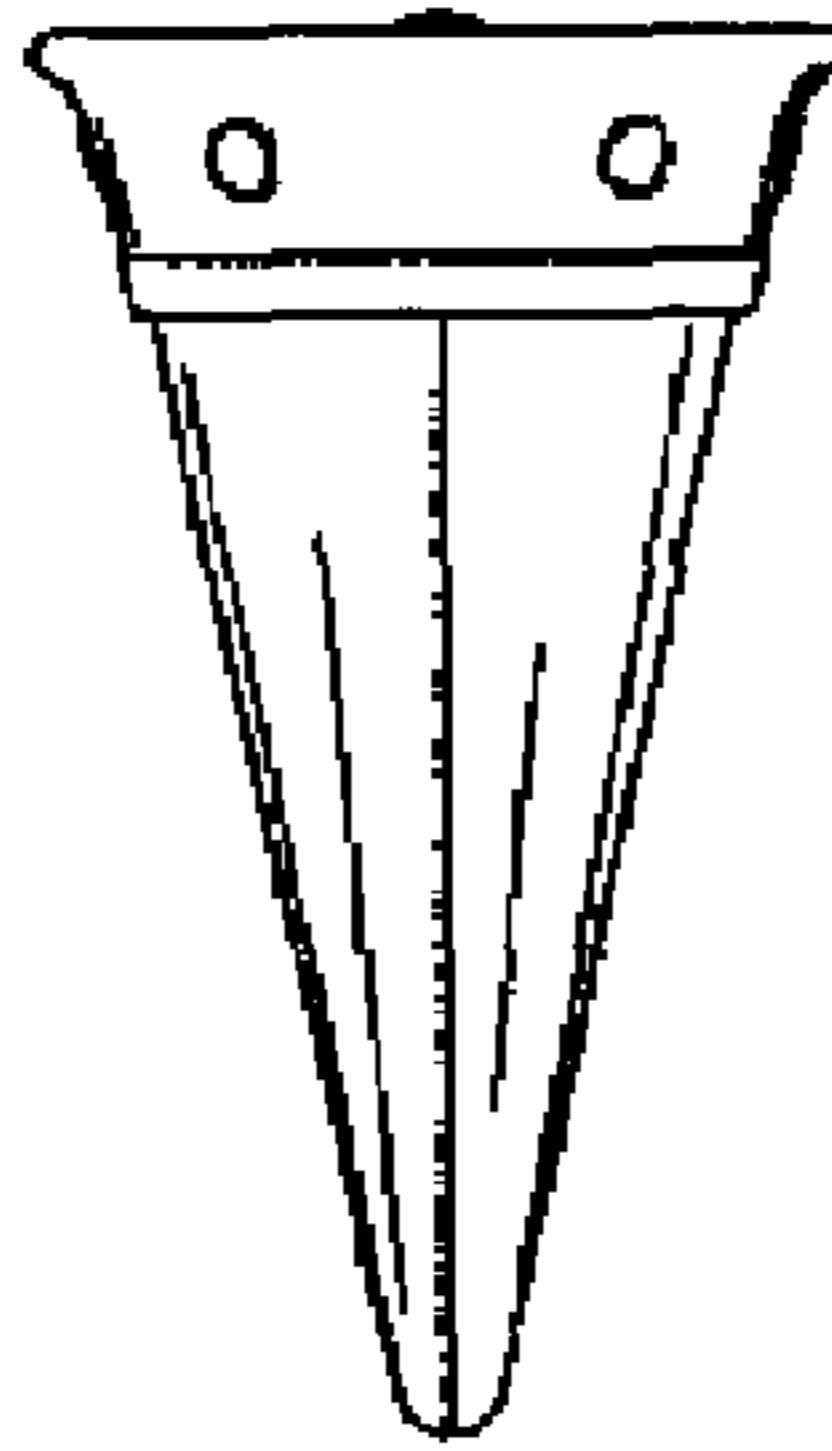


FIG. 4

FIG. 5

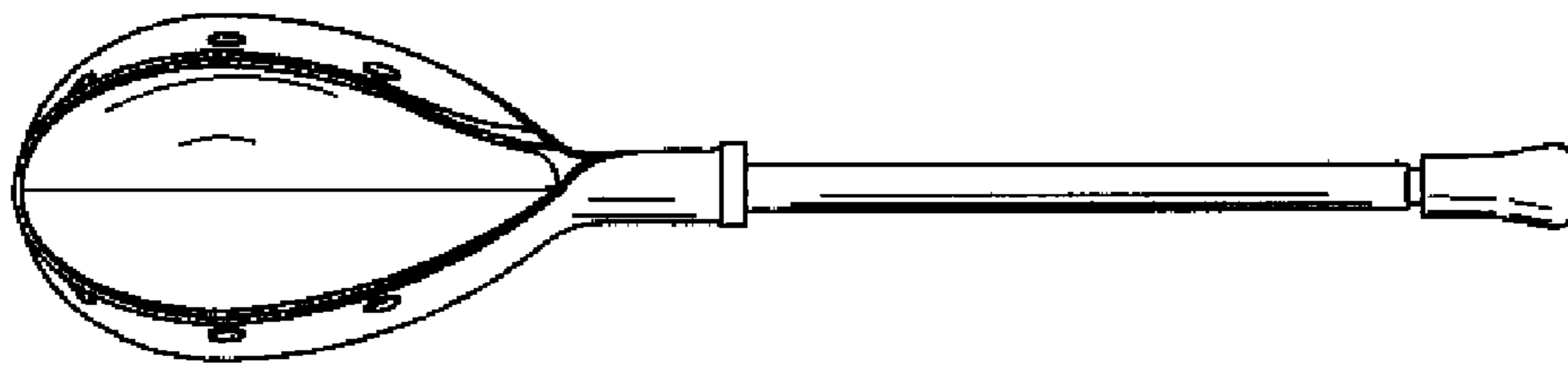
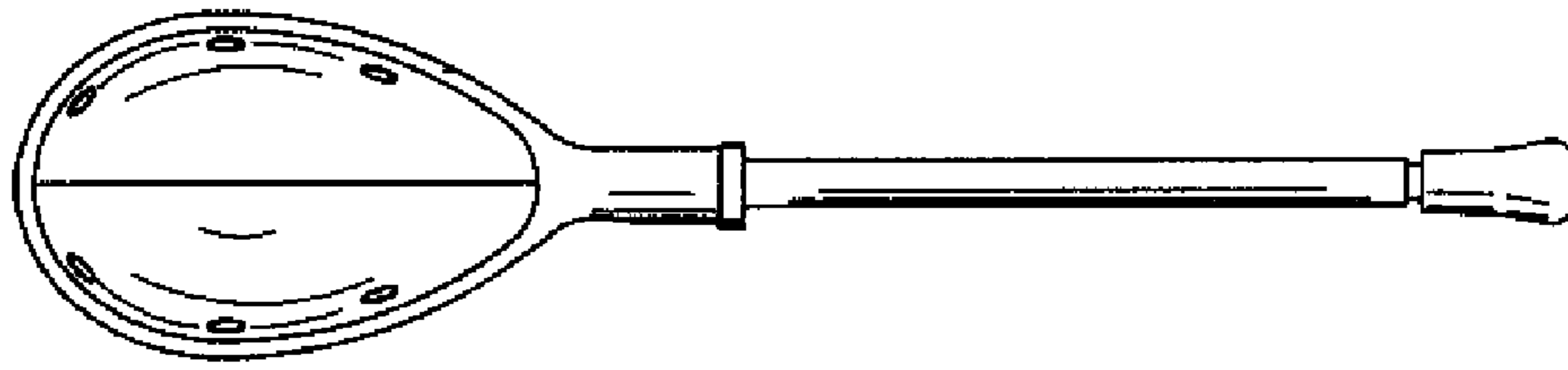


FIG. 6

FIG. 7

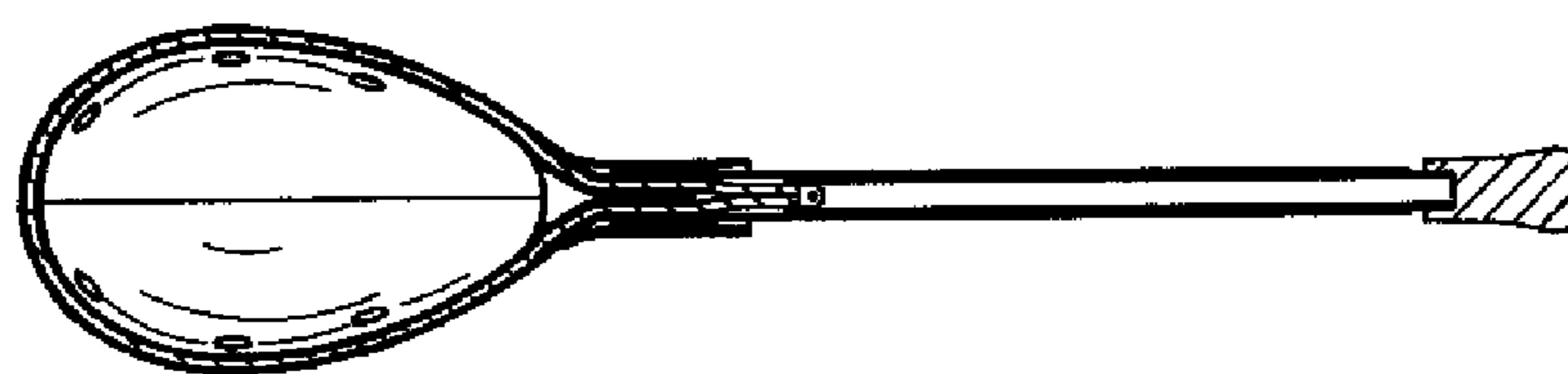
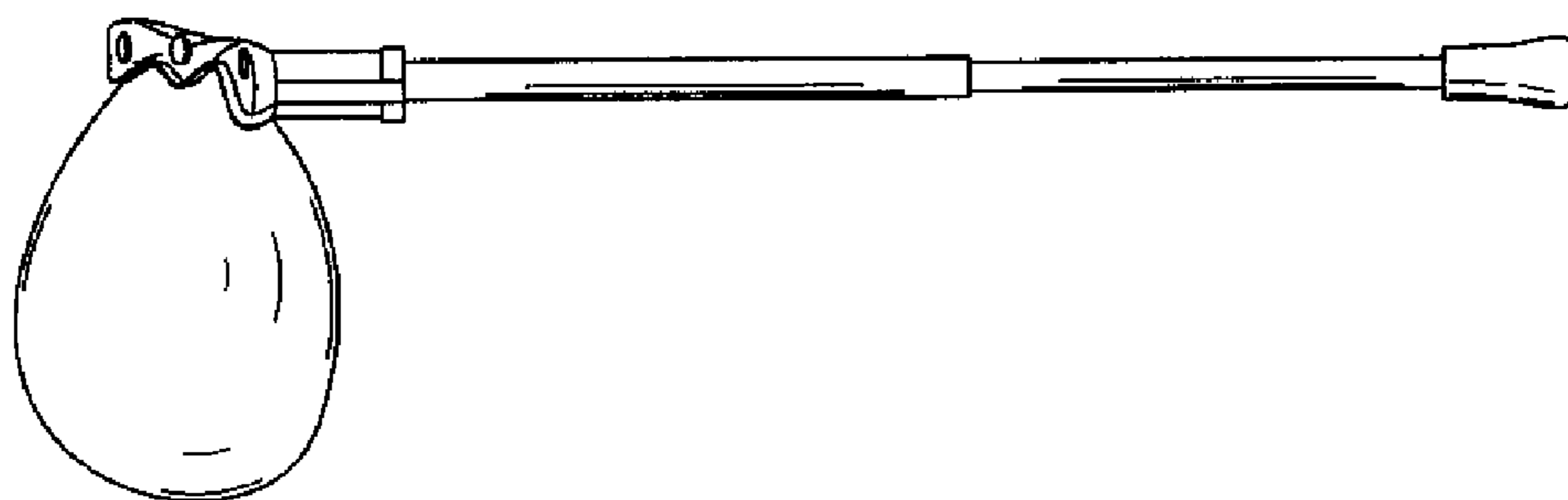


FIG. 8

FIG. 9

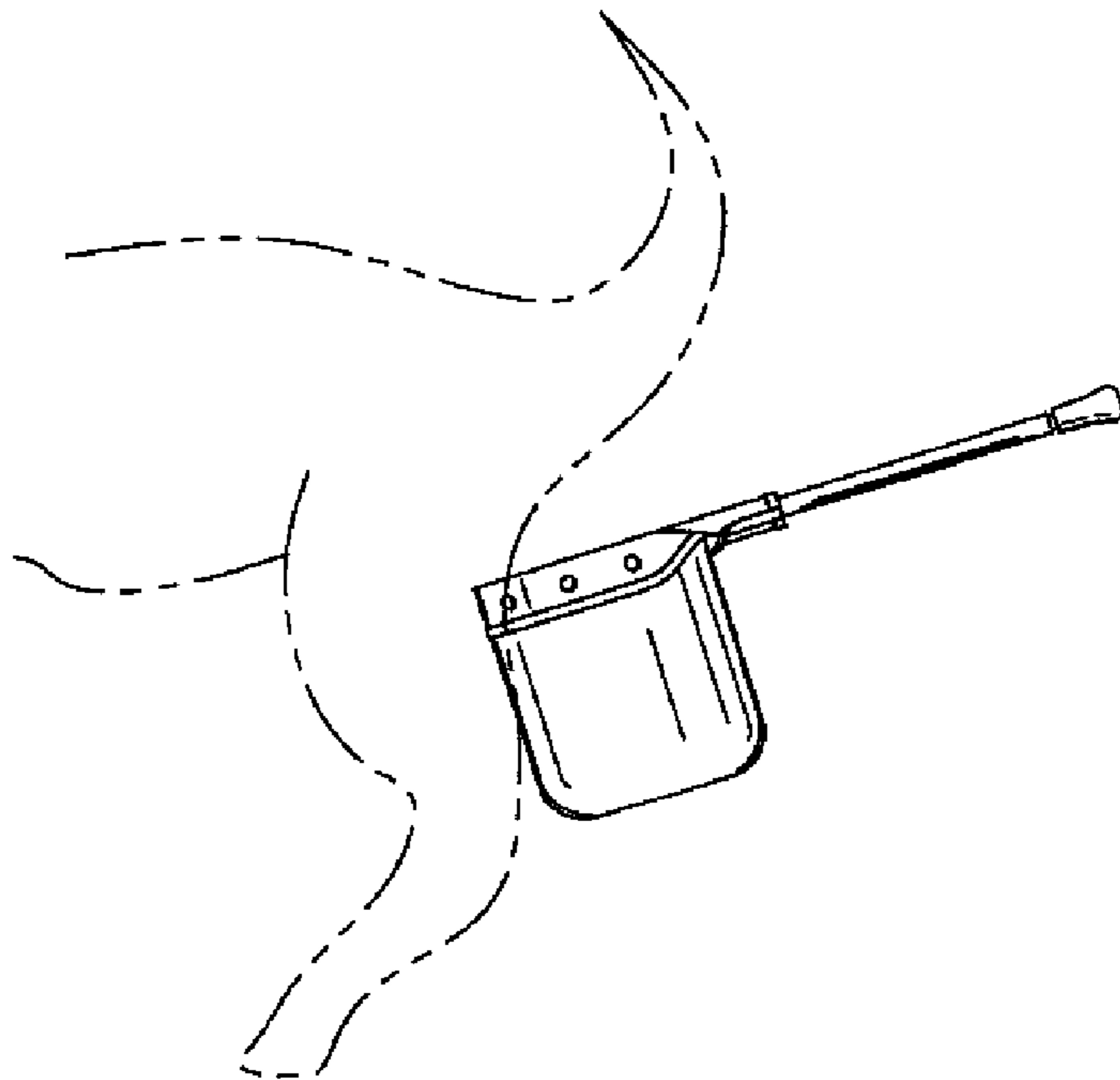
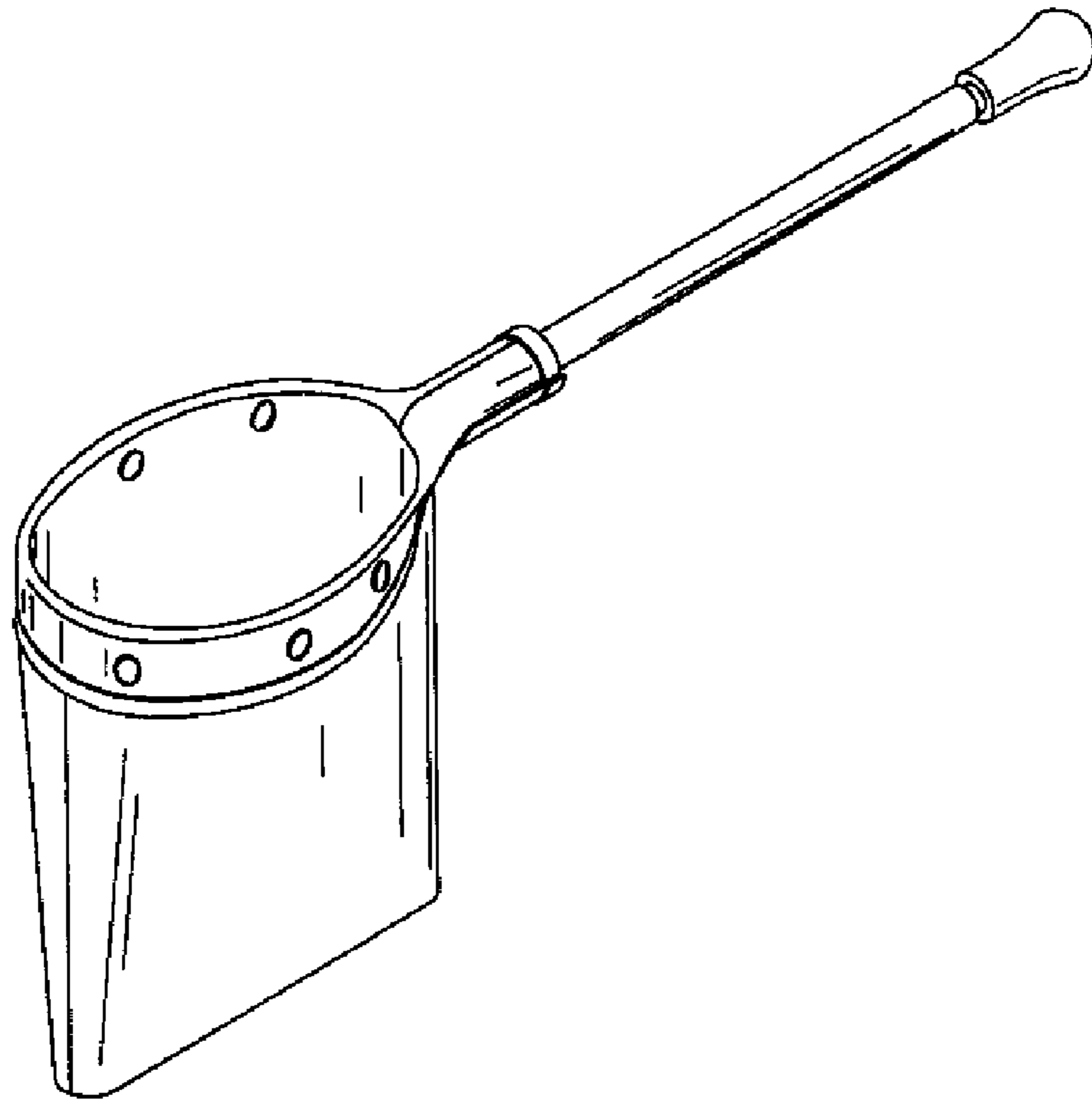


FIG. 10