



US00D587411S

(12) **United States Design Patent**
Rezny

(10) **Patent No.:** **US D587,411 S**

(45) **Date of Patent:** **** Feb. 24, 2009**

(54) **ANIMAL TOY**

(76) Inventor: **Linda Rezny**, 2287 Foxboro La.,
Naperville, IL (US) 60464

(**) Term: **14 Years**

(21) Appl. No.: **29/296,606**

(22) Filed: **Oct. 24, 2007**

(51) **LOC (9) Cl.** **30-99**

(52) **U.S. Cl.** **D30/160**

(58) **Field of Classification Search** D30/160;
D21/681; D24/211-212; 119/702, 706-711;
601/118

See application file for complete search history.

(56) **References Cited**

U.S. PATENT DOCUMENTS

1,672,944	A *	6/1928	Jowett	482/108
D95,215	S *	4/1935	Barone et al.	D1/102
2,369,544	A *	2/1945	Dolan	D24/212
2,582,686	A *	1/1952	Fabio	601/118
D177,529	S *	4/1956	McDermott, Sr.	D24/212
3,104,648	A *	9/1963	Fisher	119/711
3,198,173	A *	8/1965	Fisher	119/709
D253,373	S *	11/1979	Celeste	D24/212
D267,261	S *	12/1982	Pataluch	D21/679
D333,937	S *	3/1993	Prosser	D30/160

5,191,856	A *	3/1993	Gordon	119/711
D349,786	S *	8/1994	Markham	D30/160
D374,519	S *	10/1996	Ruble	D30/160
5,647,302	A *	7/1997	Shipp	119/709
6,112,703	A *	9/2000	Handelsman	119/707
6,186,096	B1 *	2/2001	Miller	119/709
D497,457	S *	10/2004	Willinger	D30/160
D522,594	S *	6/2006	Donahue et al.	D21/682
7,223,251	B1 *	5/2007	Cassidy Phillips	601/118
2006/0102099	A1 *	5/2006	Edwards	119/710
2006/0225666	A1 *	10/2006	Axelrod	119/709

* cited by examiner

Primary Examiner—Cathy Anne MacCormac

(74) *Attorney, Agent, or Firm*—McAndrews, Held & Malloy, Ltd.

(57) **CLAIM**

The ornamental design for an animal toy, substantially as shown and described.

DESCRIPTION

FIG. 1 is a perspective view of a first embodiment of an animal toy showing my new design;

FIG. 2 is a side elevation view thereof; and,

FIG. 3 is an end view thereof.

1 Claim, 2 Drawing Sheets

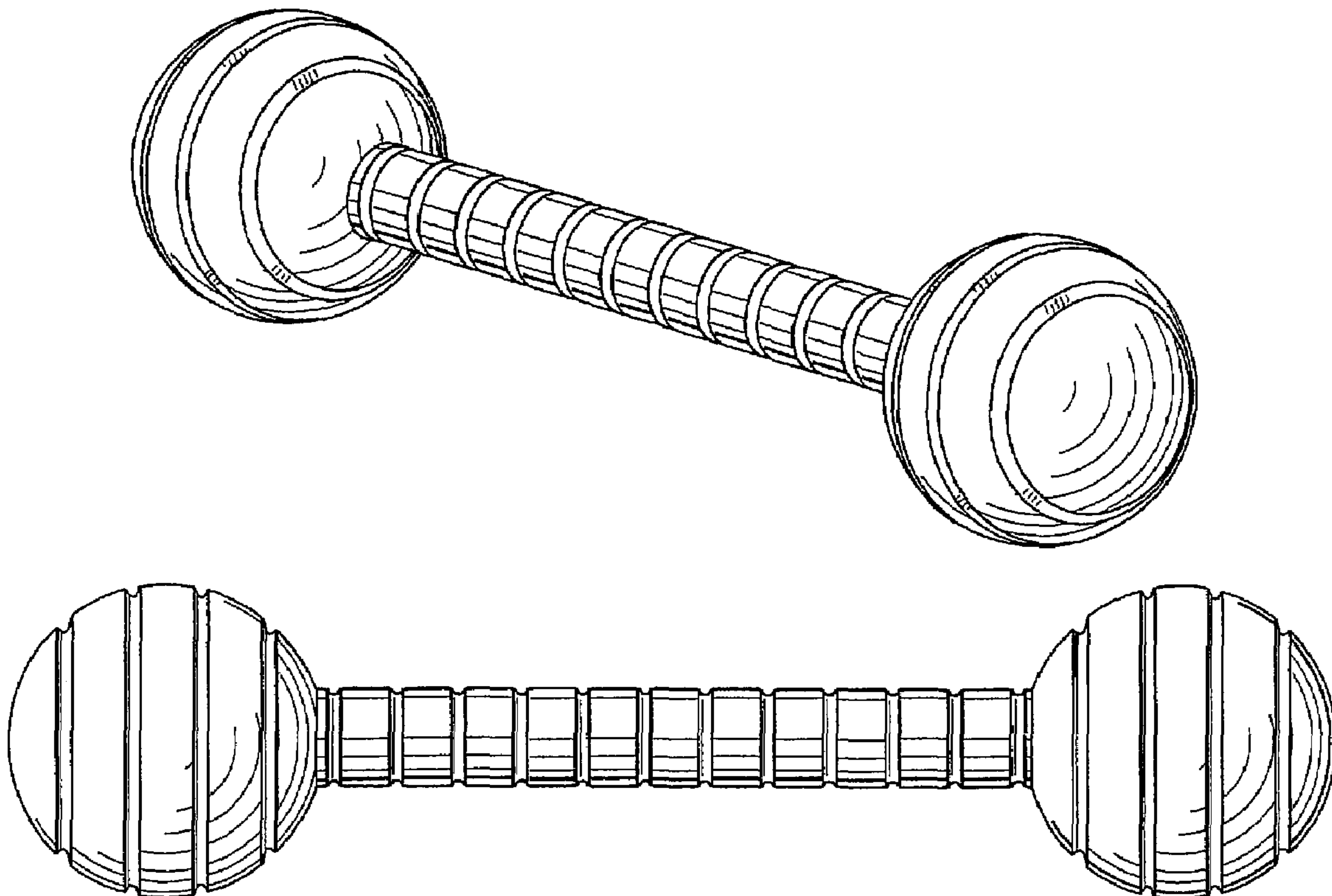


Fig. 1

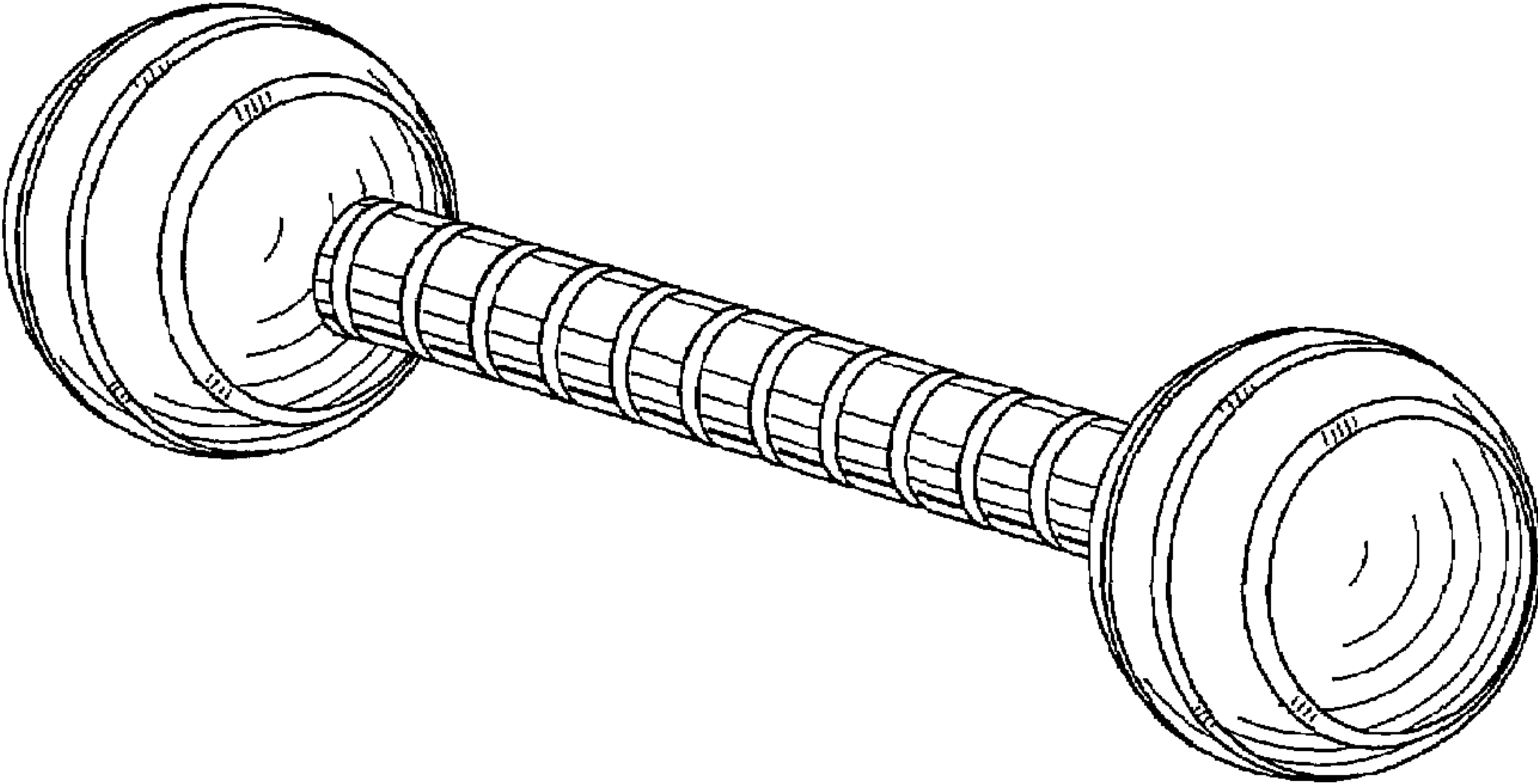


Fig. 2

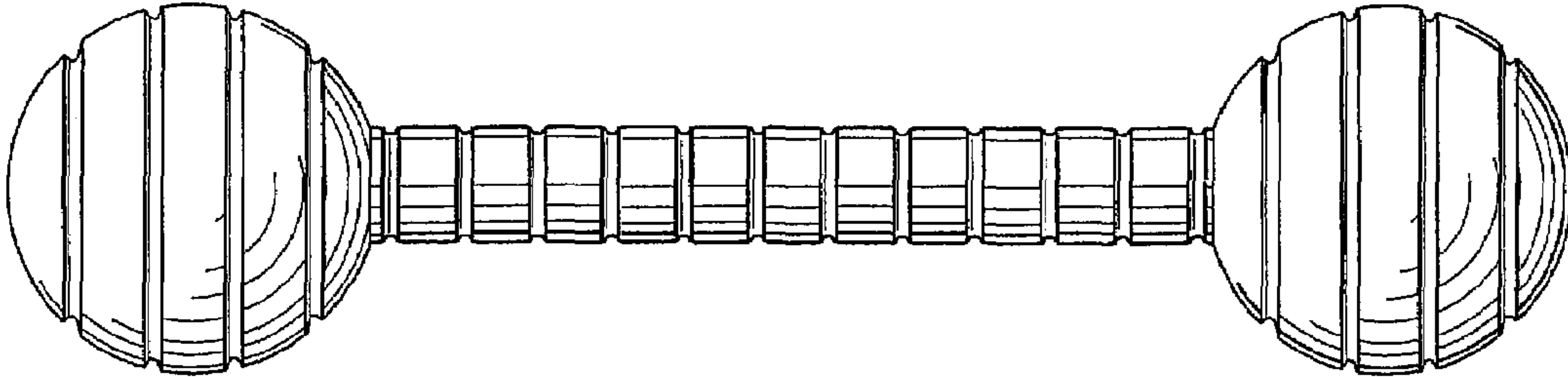


Fig. 3

