



US00D587405S

(12) **United States Design Patent**
Edwards

(10) **Patent No.:** **US D587,405 S**

(45) **Date of Patent:** **** Feb. 24, 2009**

(54) **LIGHTED TWEEZERS**

(75) **Inventor:** **Christopher L. Edwards**, Wappingers Falls, NY (US)

(73) **Assignee:** **General Tools and Instruments**, New York, NY (US)

(**) **Term:** **14 Years**

(21) **Appl. No.:** **29/321,781**

(22) **Filed:** **Jul. 23, 2008**

(51) **LOC (9) Cl.** **28-03**

(52) **U.S. Cl.** **D28/55**

(58) **Field of Classification Search** D28/55;
D24/143; 294/99.2; 606/210-211; 362/119
See application file for complete search history.

(56) **References Cited**

U.S. PATENT DOCUMENTS

D253,974 S *	1/1980	Nalbandian	D28/55
D497,215 S *	10/2004	Shaljian	D28/55
D506,574 S *	6/2005	Yip	D28/55
D537,208 S *	2/2007	Shaljian	D28/55
D544,647 S *	6/2007	Israel	D28/55

* cited by examiner

Primary Examiner—Jennifer Rivard

(74) *Attorney, Agent, or Firm*—Westerman, Hattori, Daniels & Adrian, LLP.

(57) **CLAIM**

The ornamental design for lighted tweezers, as shown and described.

DESCRIPTION

FIG. 1 is a perspective view of lighted tweezers, showing my new design;

FIG. 2 is a top plan view thereof; the bottom view being a mirror image thereof;

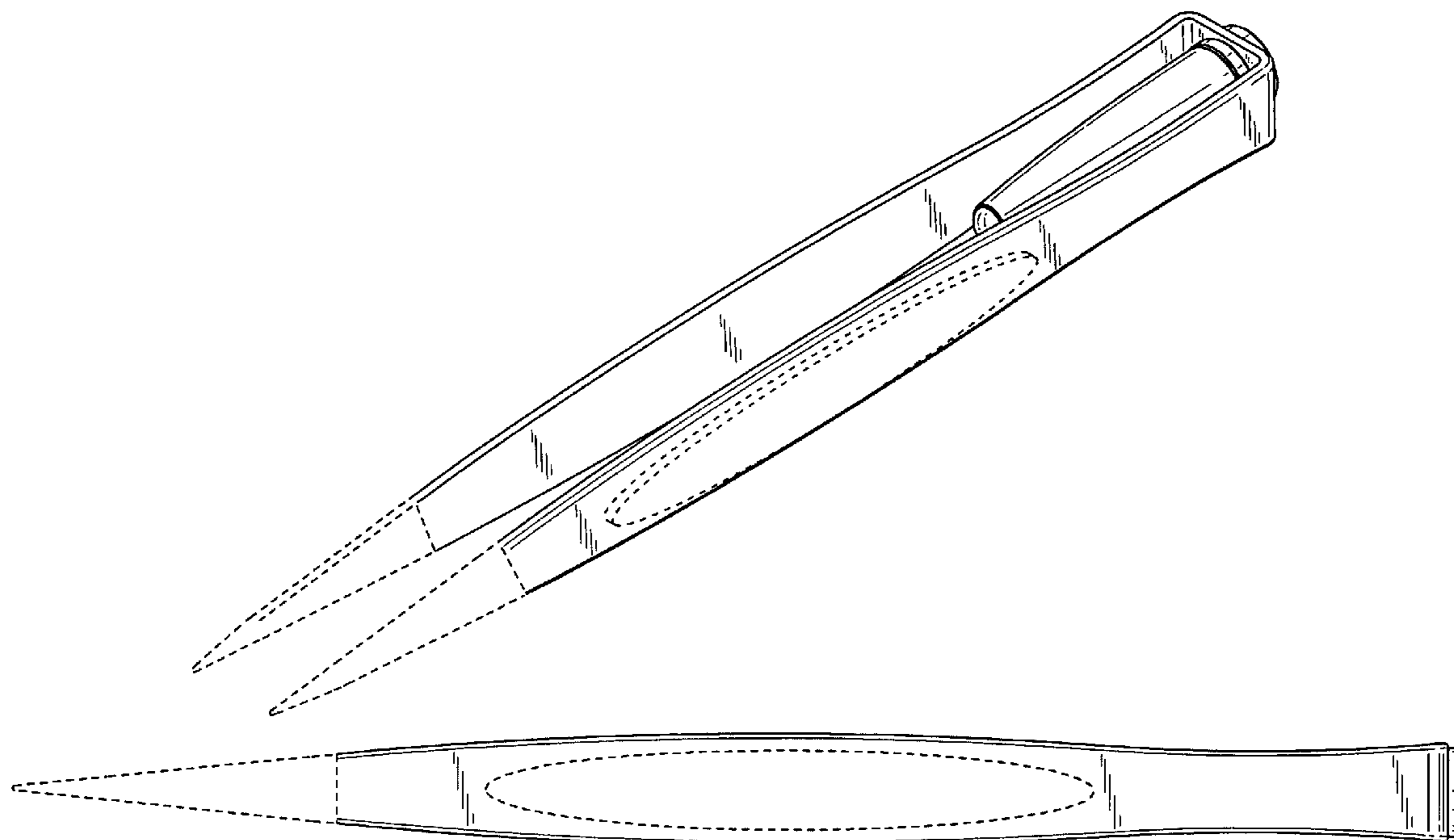
FIG. 3 is a left side elevational view thereof, the right side elevational view being a mirror image thereof;

FIG. 4 is a front elevational view thereof; and,

FIG. 5 is rear elevational view thereof.

The broken lines connecting the outer solid lines of the tweezers in FIGS. 1 and 3 represent the bounds of the claim. The remaining broken lines illustrate portions of the article. None of the broken lines form part of the claimed design.

1 Claim, 3 Drawing Sheets



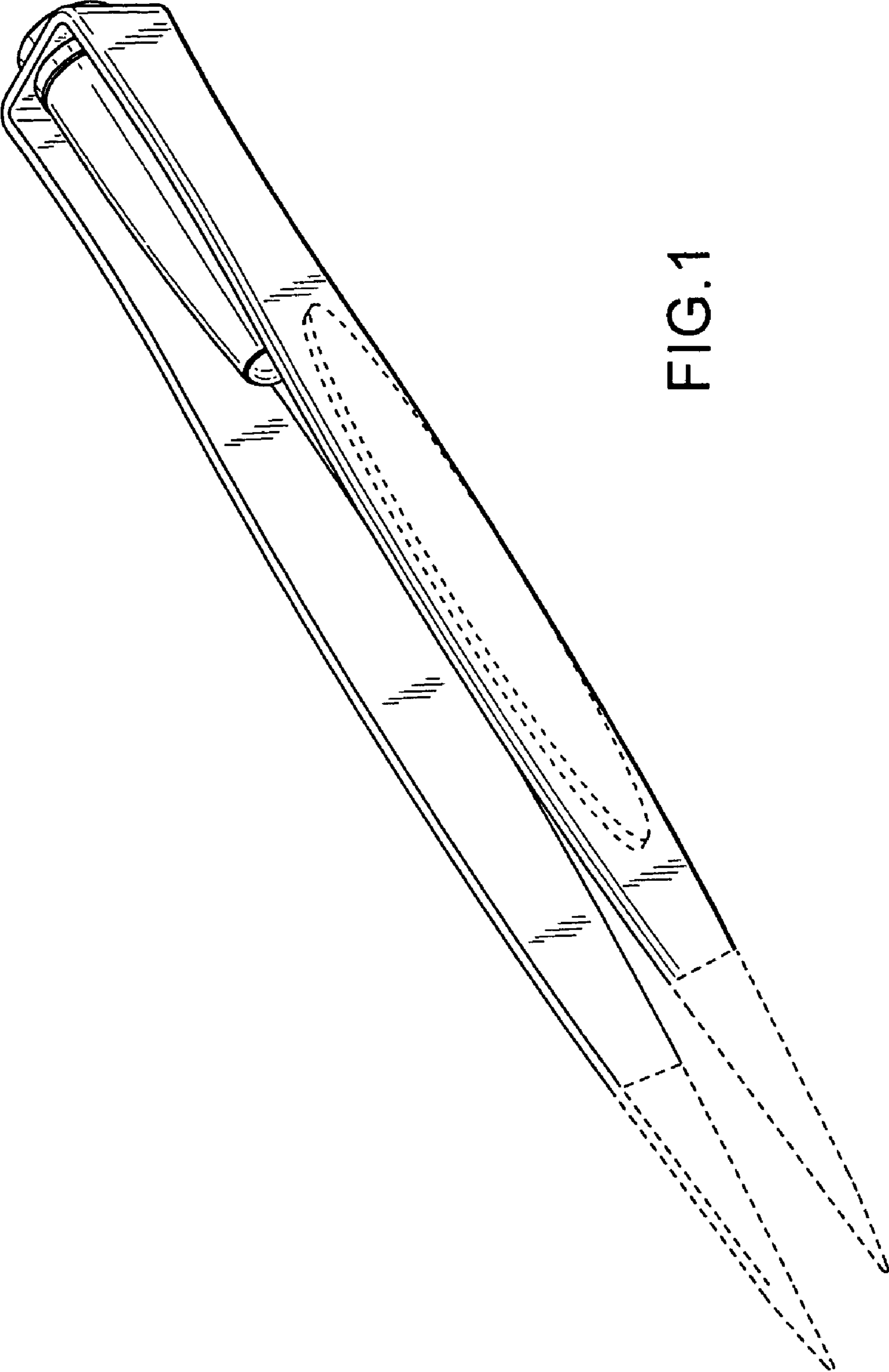


FIG.1

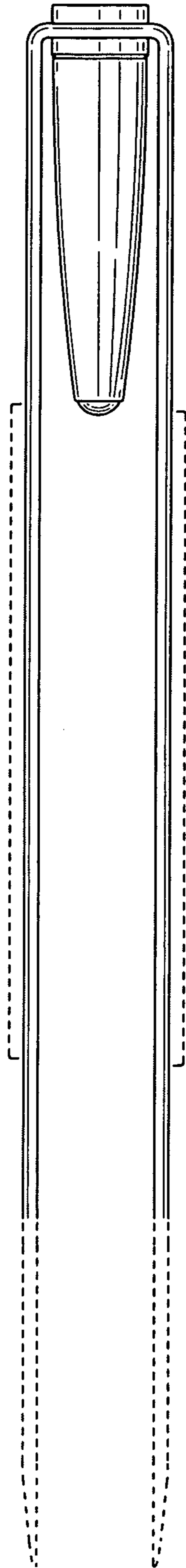


FIG. 2

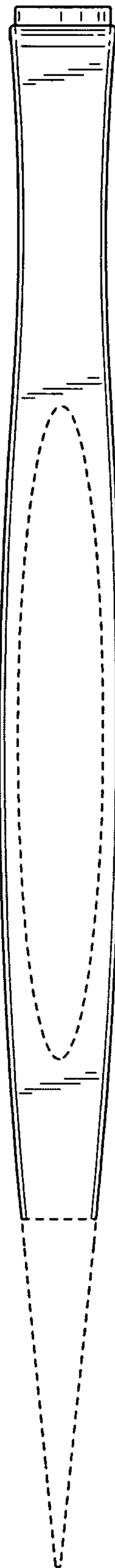


FIG. 3

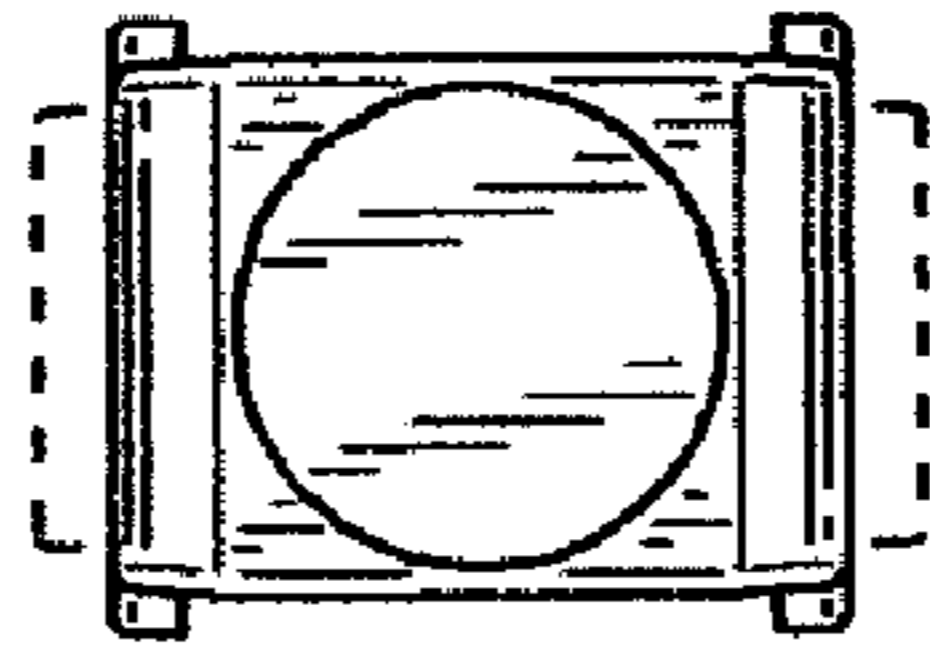


FIG. 5

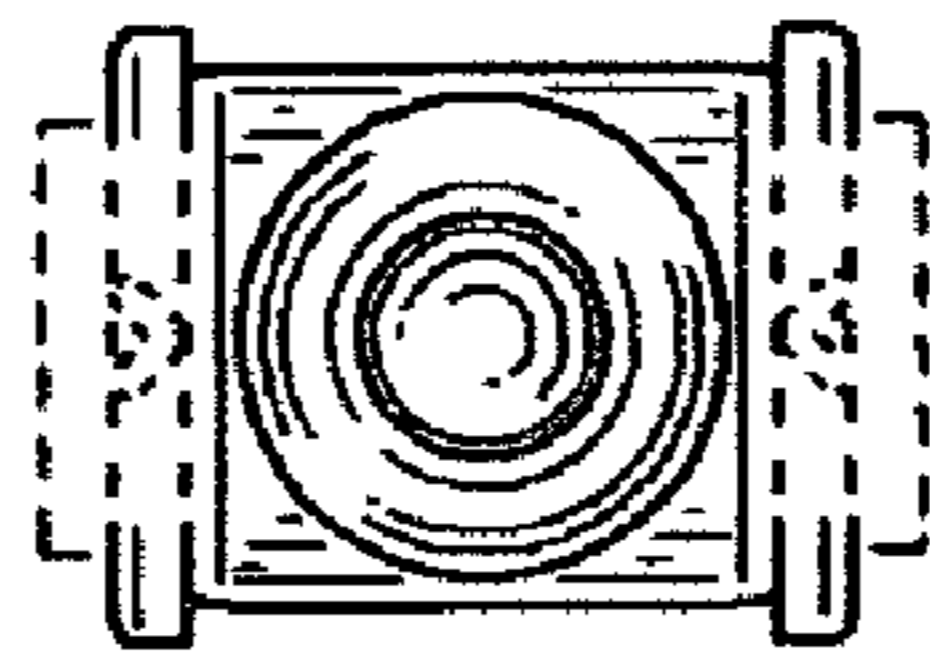


FIG. 4