



US00D587404S

(12) **United States Design Patent**
Wonderley

(10) **Patent No.:** **US D587,404 S**

(45) **Date of Patent:** **** Feb. 24, 2009**

(54) **SHAVING RAZOR PROTECTOR**

D345,233 S * 3/1994 Gray D28/47
D381,121 S 7/1997 Shurtleff et al.
D386,821 S 11/1997 Shurtleff et al.

(75) Inventor: **Jeffrey W. Wonderley**, Fort Defiance,
VA (US)

(Continued)

(73) Assignee: **American Safety Razor**, Verona, VA
(US)

Primary Examiner—Jennifer Rivard
(74) *Attorney, Agent, or Firm*—McDermott Will & Emery
LLP

(**) Term: **14 Years**

(57) **CLAIM**

(21) Appl. No.: **29/263,503**

The ornamental design for a shaving razor protector, substantially as shown and described herein.

(22) Filed: **Jul. 25, 2006**

(51) **LOC (9) Cl.** **28-03**

(52) **U.S. Cl.** **D28/47**

(58) **Field of Classification Search** 30/32,
30/34.05, 34.1–34.2, 41–41.8, 44–45, 48–50,
30/526–533, 84, 58, 539; D28/44, 45–48
See application file for complete search history.

DESCRIPTION

FIG. 1 is a front perspective view of the shaving razor protector showing the new design;

FIG. 2 is a front view of the shaving razor protector;

FIG. 3 is a rear view of the shaving razor protector;

FIG. 4 is a side view of the shaving razor protector;

FIG. 5 is another side view of the shaving razor protector;

FIG. 6 is a top view of the shaving razor protector;

FIG. 7 is a bottom view of the shaving razor protector; and,

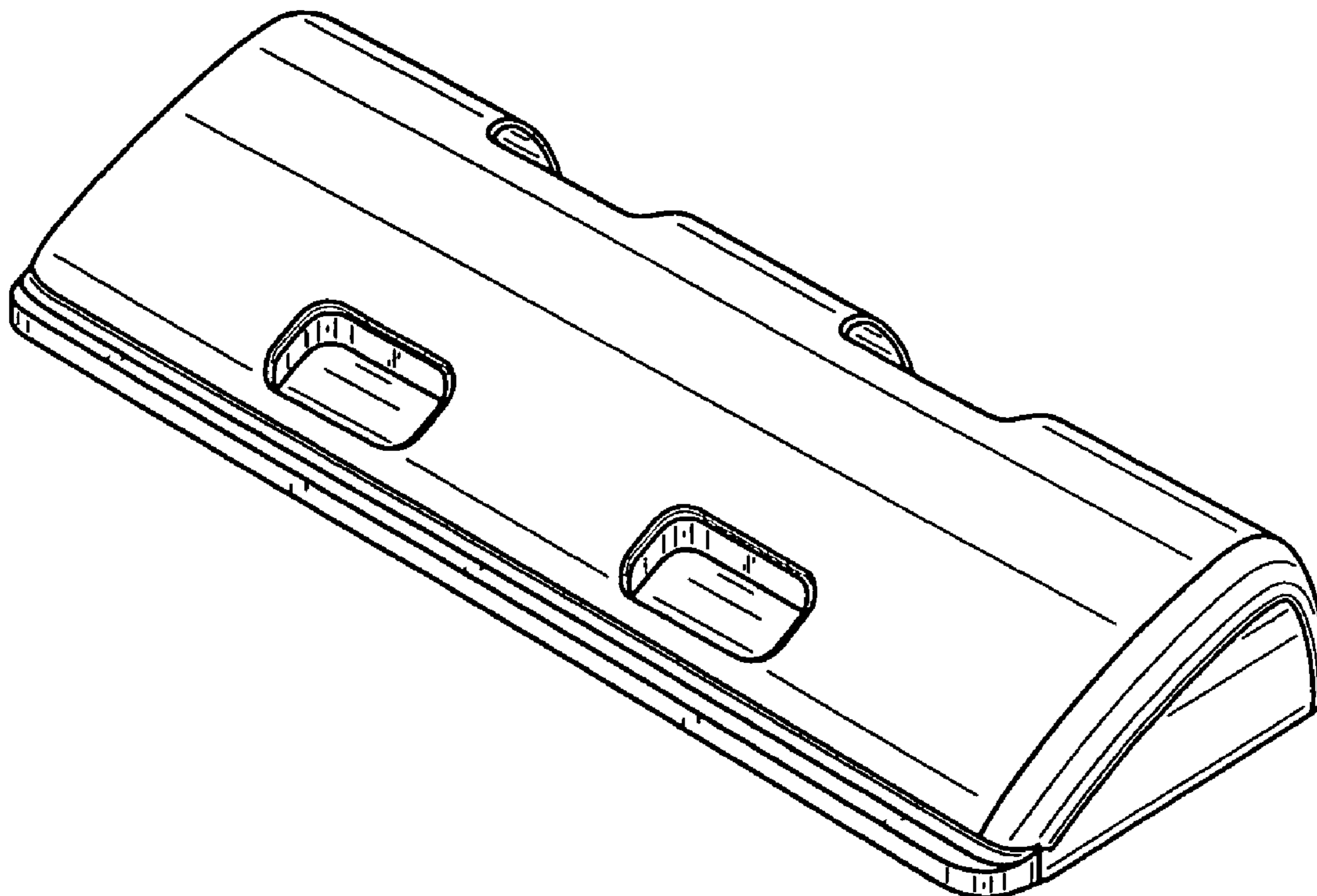
FIG. 8 is a bottom perspective view of the shaving razor protector.

(56) **References Cited**

U.S. PATENT DOCUMENTS

D169,147 S 3/1953 Lamb
D230,221 S 1/1974 Glaberson et al.
D257,793 S 1/1981 Gray
D260,944 S 9/1981 Gray
D306,216 S * 2/1990 Gray D28/45
D308,427 S 6/1990 Gyllerstrom

1 Claim, 5 Drawing Sheets



US D587,404 S

Page 2

U.S. PATENT DOCUMENTS					
D392,417 S	3/1998	Gray	D478,687 S	8/2003	Provost
D392,418 S	3/1998	Gray	D482,161 S	11/2003	Yamagishi et al.
D396,129 S	7/1998	Gray	D490,569 S *	5/2004	Prochaska D28/47
D397,512 S	8/1998	Gray	D491,690 S	6/2004	Yamashita
D403,113 S	12/1998	Kohring et al.	D495,826 S	9/2004	Ham et al.
D403,114 S	12/1998	Shurtleff	D495,828 S	9/2004	Ham et al.
D404,527 S	1/1999	Gray	D500,170 S	12/2004	Jung
D406,393 S	3/1999	Gray	D500,174 S	12/2004	Gray
D407,850 S	4/1999	Shurtleff	D500,390 S	12/2004	Gray
D407,851 S	4/1999	Shurtleff	D506,035 S	6/2005	Dombrowski et al.
D408,101 S	4/1999	Shurtleff	D509,322 S *	9/2005	Wonderley et al. D28/46
D414,298 S	9/1999	Pennella et al.	D511,024 S	10/2005	Dombrowski et al.
D416,108 S	11/1999	Shurtleff et al.	D511,223 S	11/2005	Miyazaki et al.
D416,646 S	11/1999	Pinchuk	D512,531 S	12/2005	Khubani et al.
D421,155 S	2/2000	Grange	D513,442 S	1/2006	Miyazaki et al.
D421,320 S	2/2000	Coffin et al.	D515,740 S	2/2006	Provost et al.
D435,315 S	12/2000	Coffin et al.	D516,244 S	2/2006	Efthimiadis et al.
D438,342 S	2/2001	Gray	D527,491 S *	8/2006	Wonderley D28/47
D445,958 S	7/2001	Dansreau et al.	D564,132 S *	3/2008	Gonzalez D28/47
D446,884 S	8/2001	Kohring et al.	D565,245 S *	3/2008	Wonderley D28/46
D449,710 S *	10/2001	Wonderley D28/47	2004/0261271 A1	12/2004	Coffin et al.
			2005/0198841 A1	9/2005	Worrick, III
					* cited by examiner

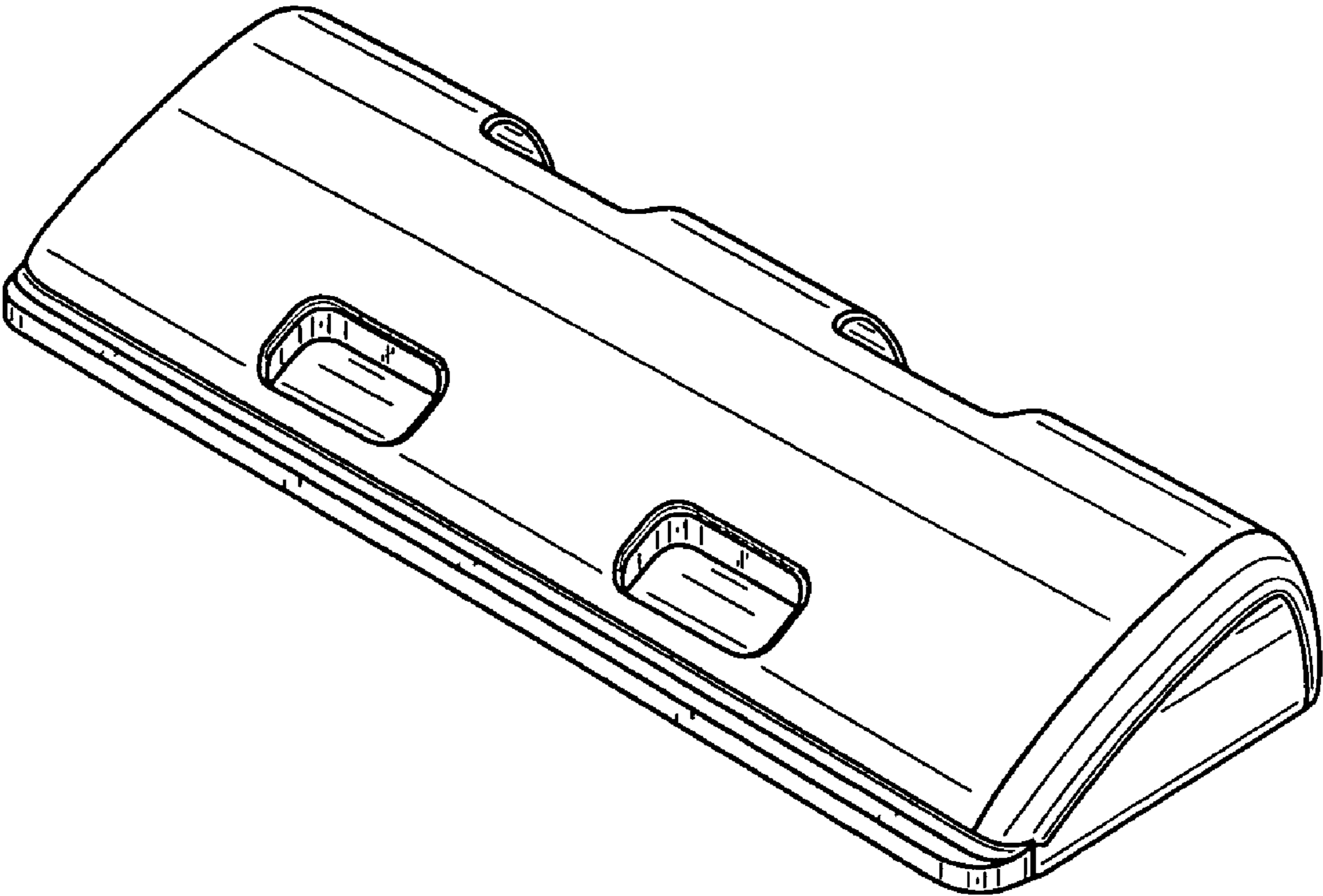


FIG. 1

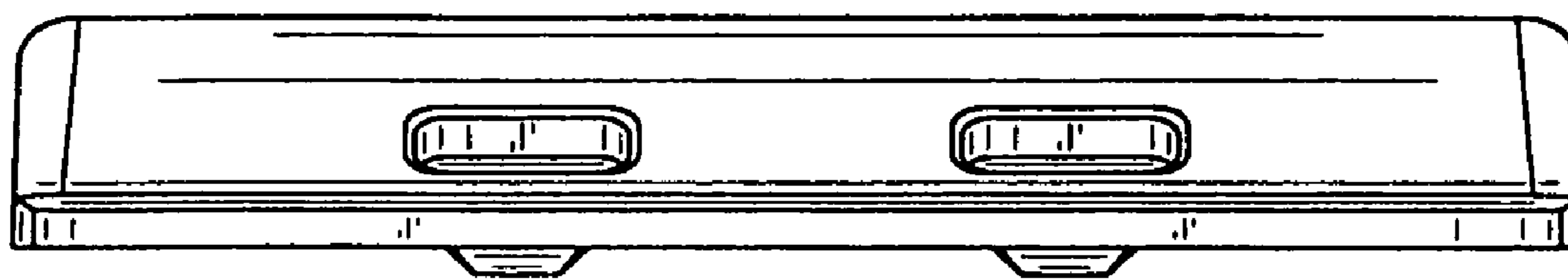


FIG. 2

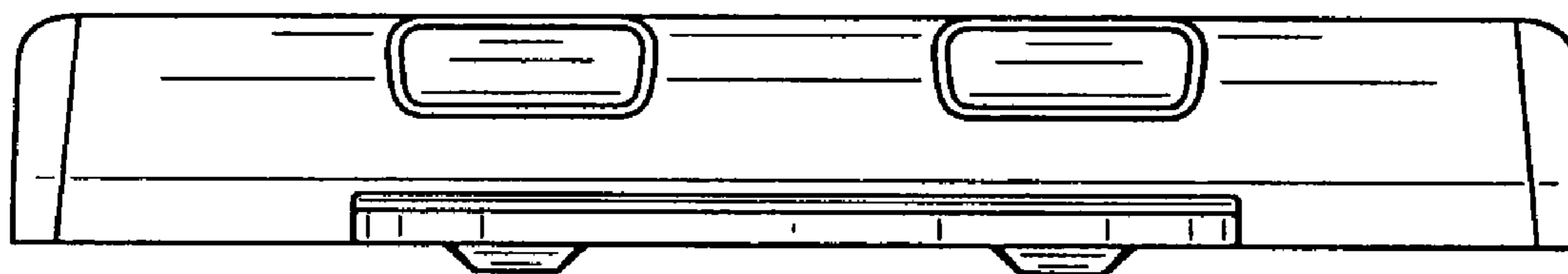


FIG. 3

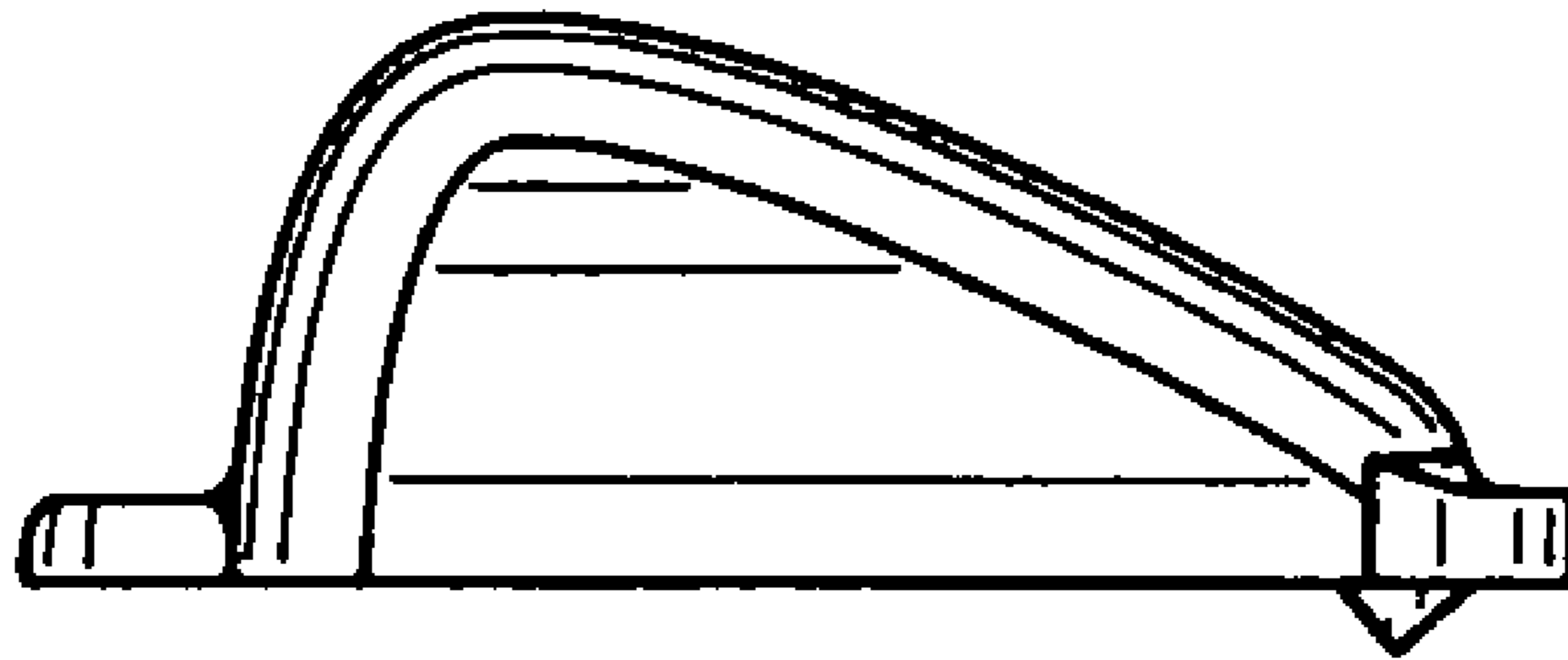


FIG. 4

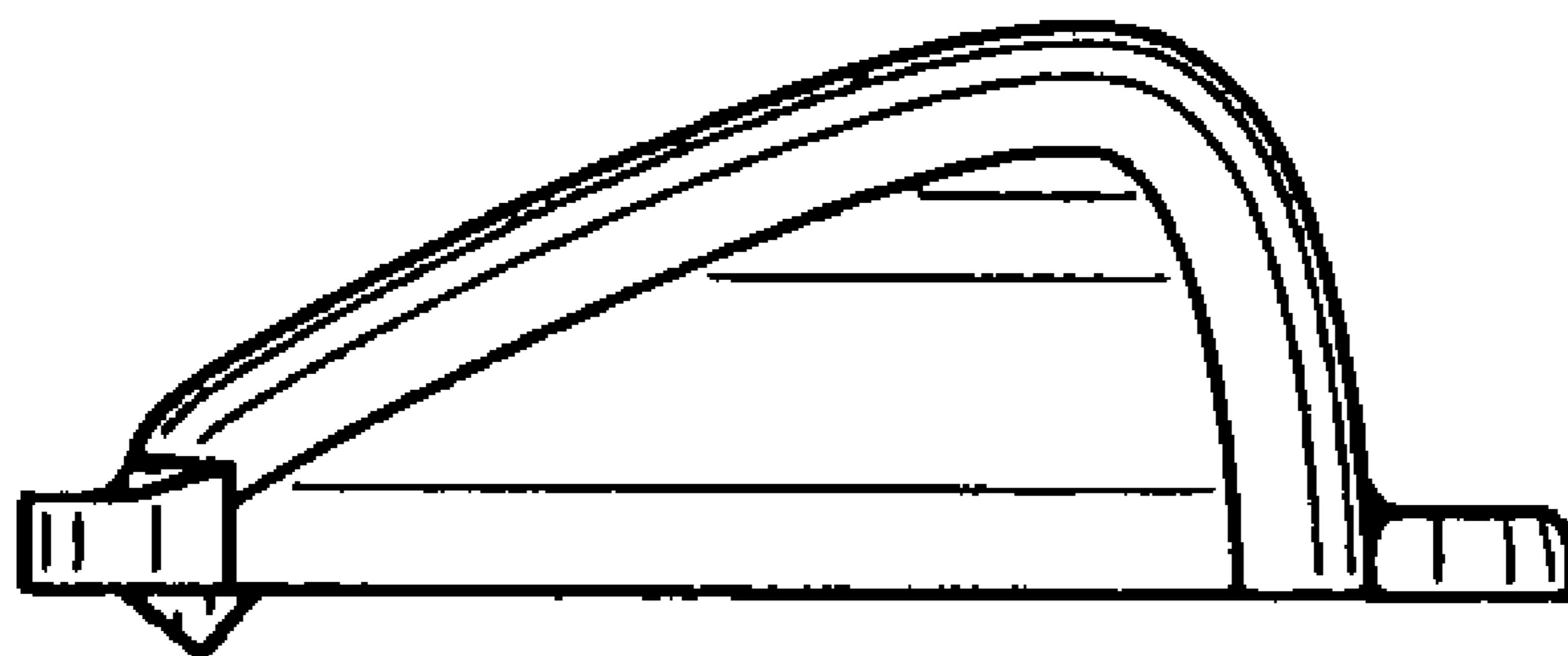


FIG. 5

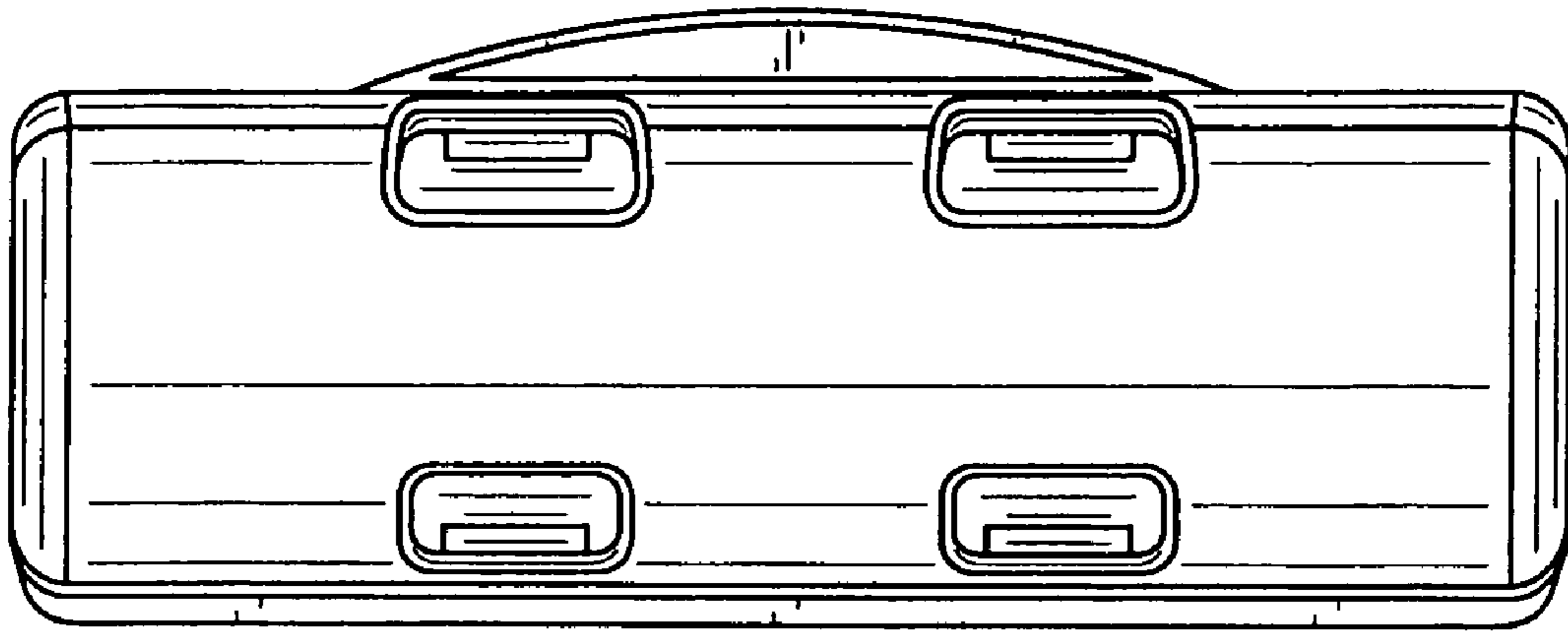


FIG. 6

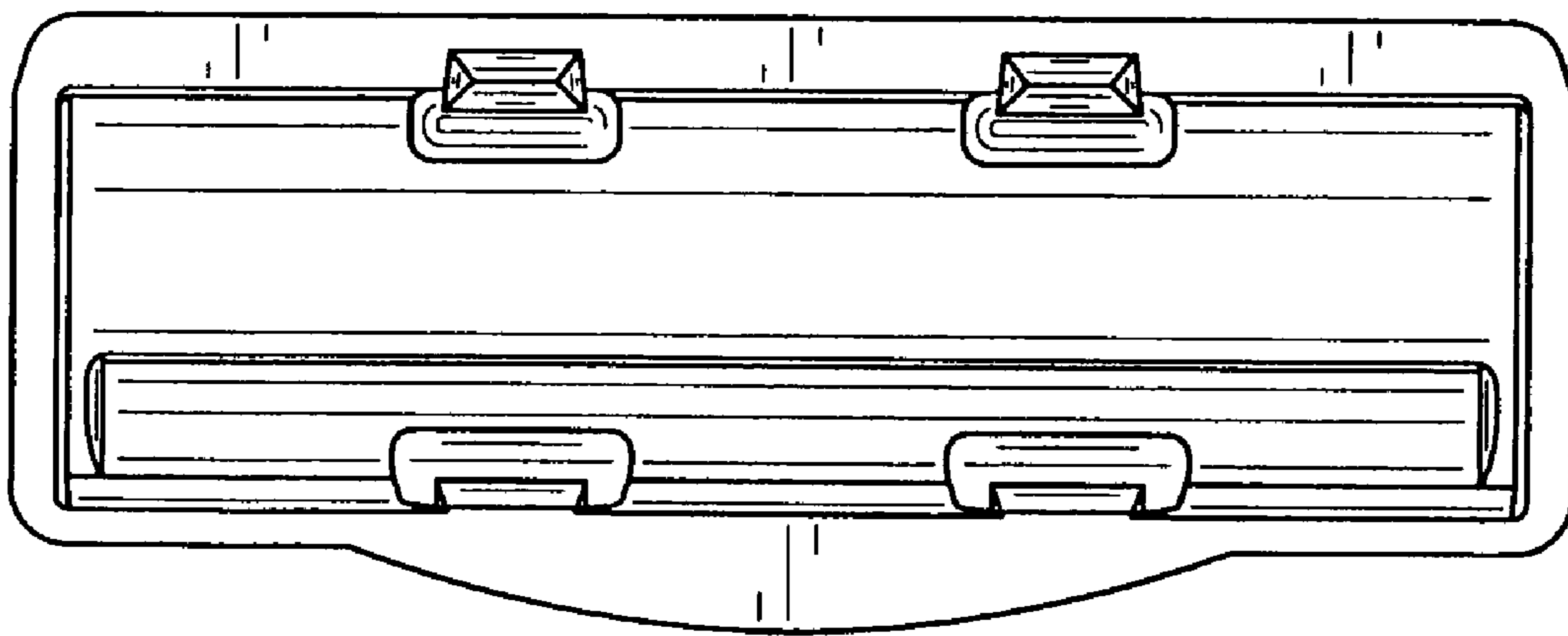


FIG. 7

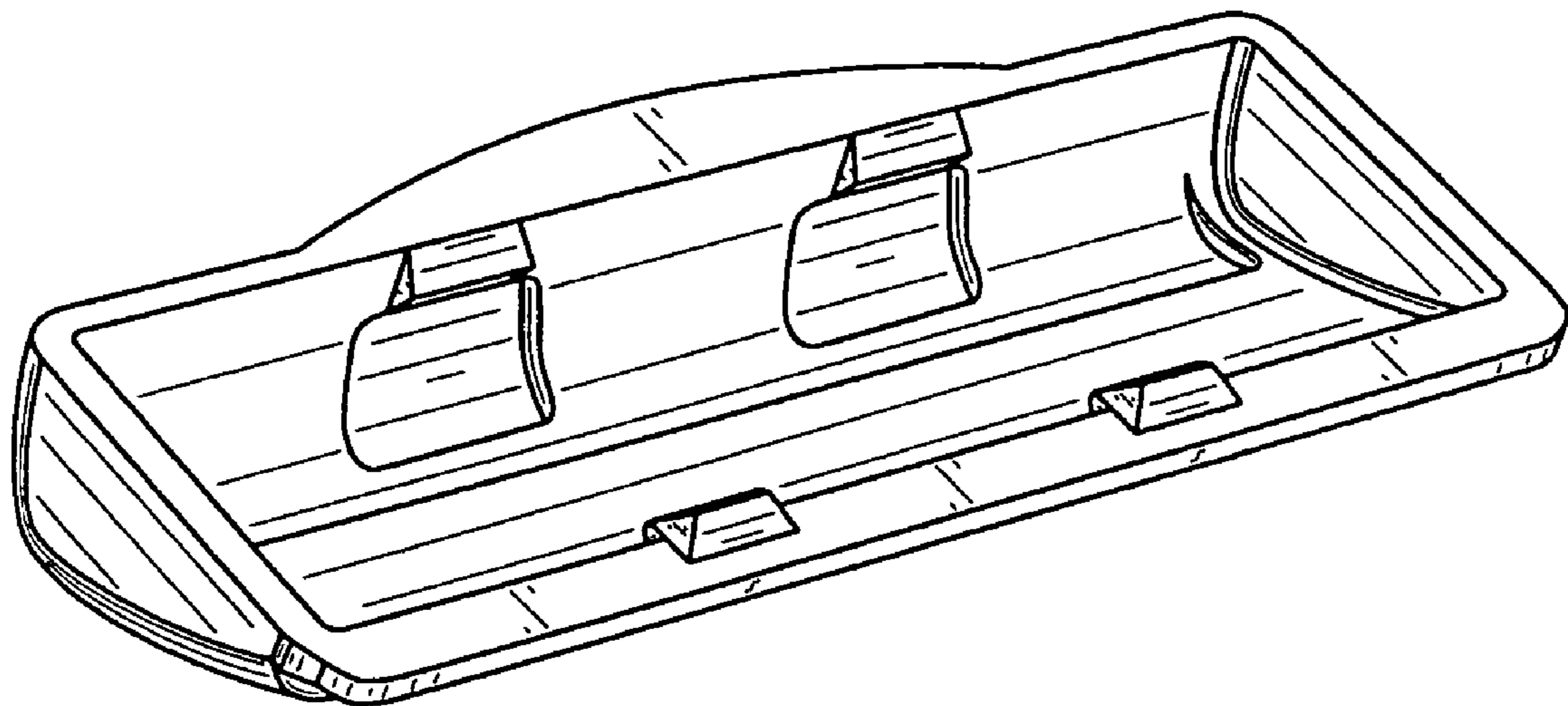


FIG. 8