



US00D587400S

(12) **United States Design Patent**  
**Yatsko**

(10) **Patent No.:** **US D587,400 S**

(45) **Date of Patent:** **\*\* Feb. 24, 2009**

(54) **SOAP BAR**

(74) *Attorney, Agent, or Firm*—Robert J Doherty

(76) **Inventor:** **Arthur A Yatsko**, 1057 Post Rd.,  
Warwick, RI (US) 02888

(57) **CLAIM**

I claim the ornamental design for a soap bar, as shown and described.

(\*\*) **Term:** **14 Years**

(21) **Appl. No.:** **29/292,625**

**DESCRIPTION**

(22) **Filed:** **Oct. 22, 2007**

FIG. 1 is a front perspective view of the first embodiment of a soap bar showing my new design;

(51) **LOC (9) Cl.** ..... **28-03**

FIG. 2 is a top plan view thereof;

(52) **U.S. Cl.** ..... **D28/8.1**

FIG. 3 is a bottom plan view thereof;

(58) **Field of Classification Search** ..... 510/440–442,  
510/143, 146–148, 141–142, 447–450; D28/8.1–8.2  
See application file for complete search history.

FIG. 4 is a front elevational view thereof;

FIG. 5 is a rear elevational view thereof;

FIG. 6 is a left side elevational view thereof;

FIG. 7 is a right side elevational view thereof;

(56) **References Cited**

**U.S. PATENT DOCUMENTS**

FIG. 8 is a front perspective view of the second embodiment of a soap bar showing my new design;

FIG. 9 is a top plan view of FIG. 8;

FIG. 10 is a bottom plan view of FIG. 8;

FIG. 11 is a front elevational view of FIG. 8;

FIG. 12 is a rear elevational view of FIG. 8;

FIG. 13 is a left side elevational view of FIG. 8; and,

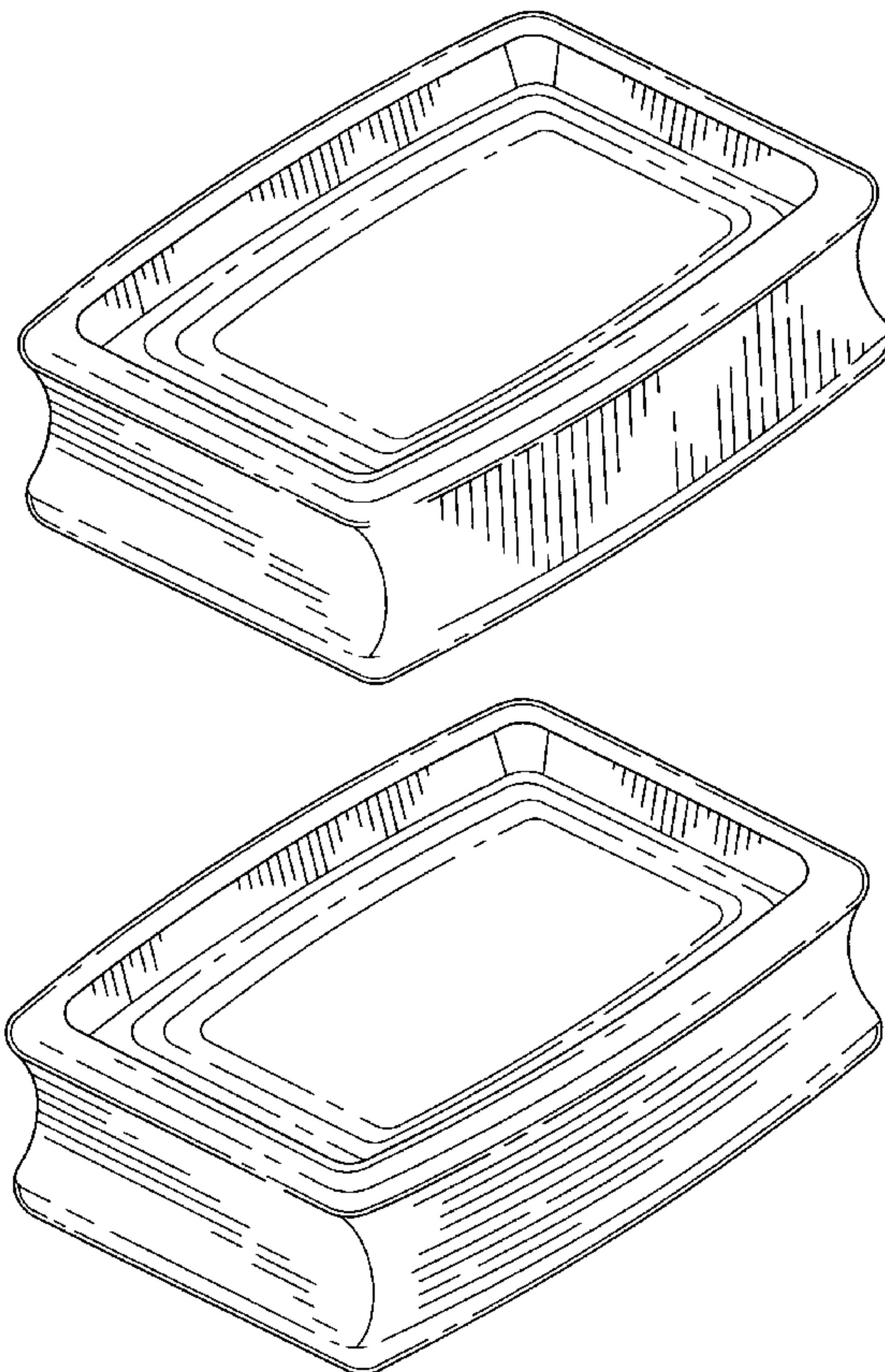
FIG. 14 is a right side elevational view of FIG. 8.

|              |         |                |       |         |
|--------------|---------|----------------|-------|---------|
| D27,959 S *  | 12/1897 | Curtin         | ..... | D28/8.1 |
| D201,110 S * | 5/1965  | Horne          | ..... | D28/8.1 |
| D260,301 S * | 8/1981  | O'Connor       | ..... | D28/8.1 |
| D269,127 S * | 5/1983  | Christianson   | ..... | D28/8.1 |
| D301,763 S * | 6/1989  | Rhoa et al.    | ..... | D28/8.1 |
| D352,364 S * | 11/1994 | Dietz          | ..... | D28/8.1 |
| D374,742 S * | 10/1996 | Doughty et al. | ..... | D28/8.1 |
| D467,385 S * | 12/2002 | Crawford       | ..... | D28/8.1 |

\* cited by examiner

*Primary Examiner*—Jennifer Rivard

**1 Claim, 6 Drawing Sheets**



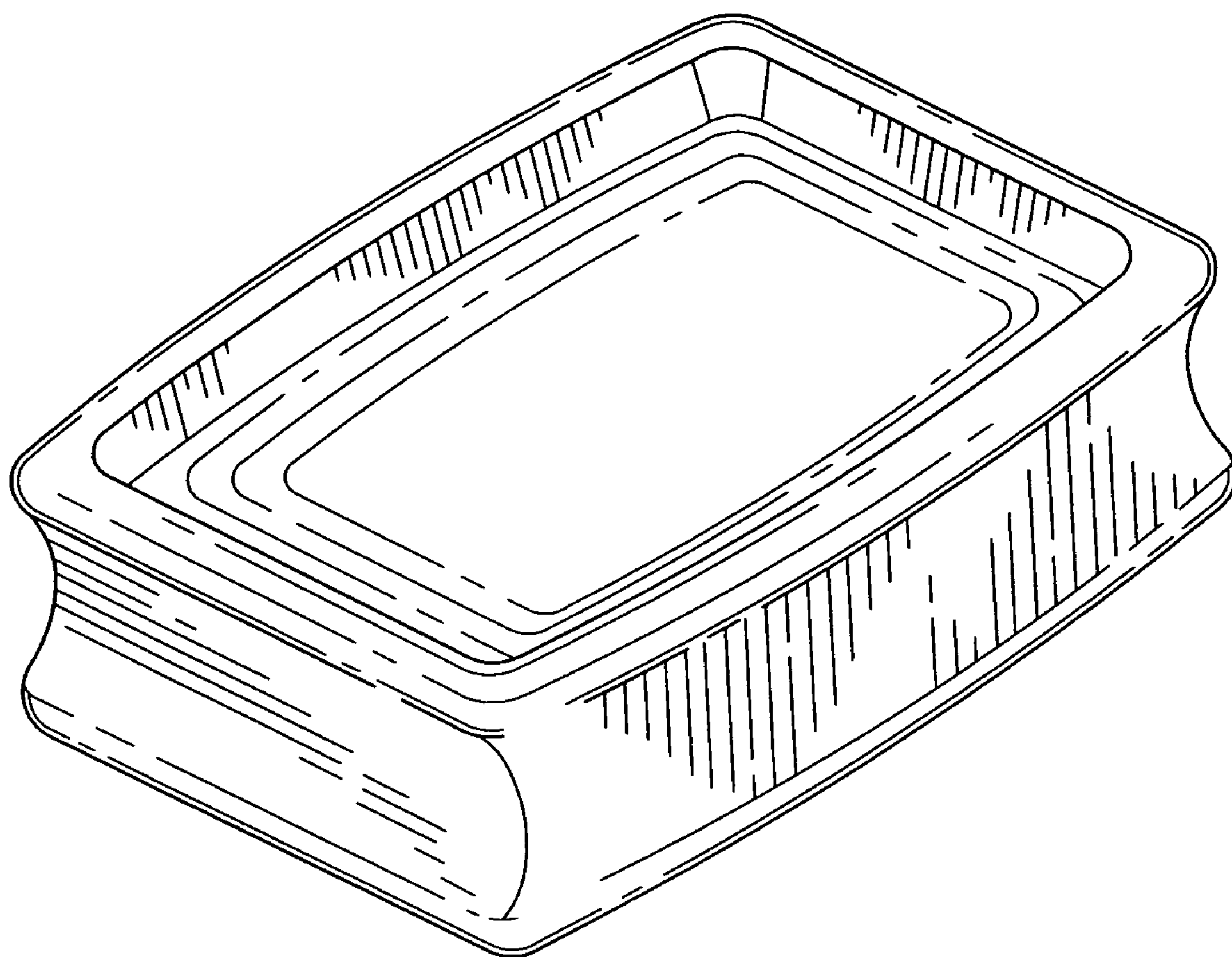


FIG. 1

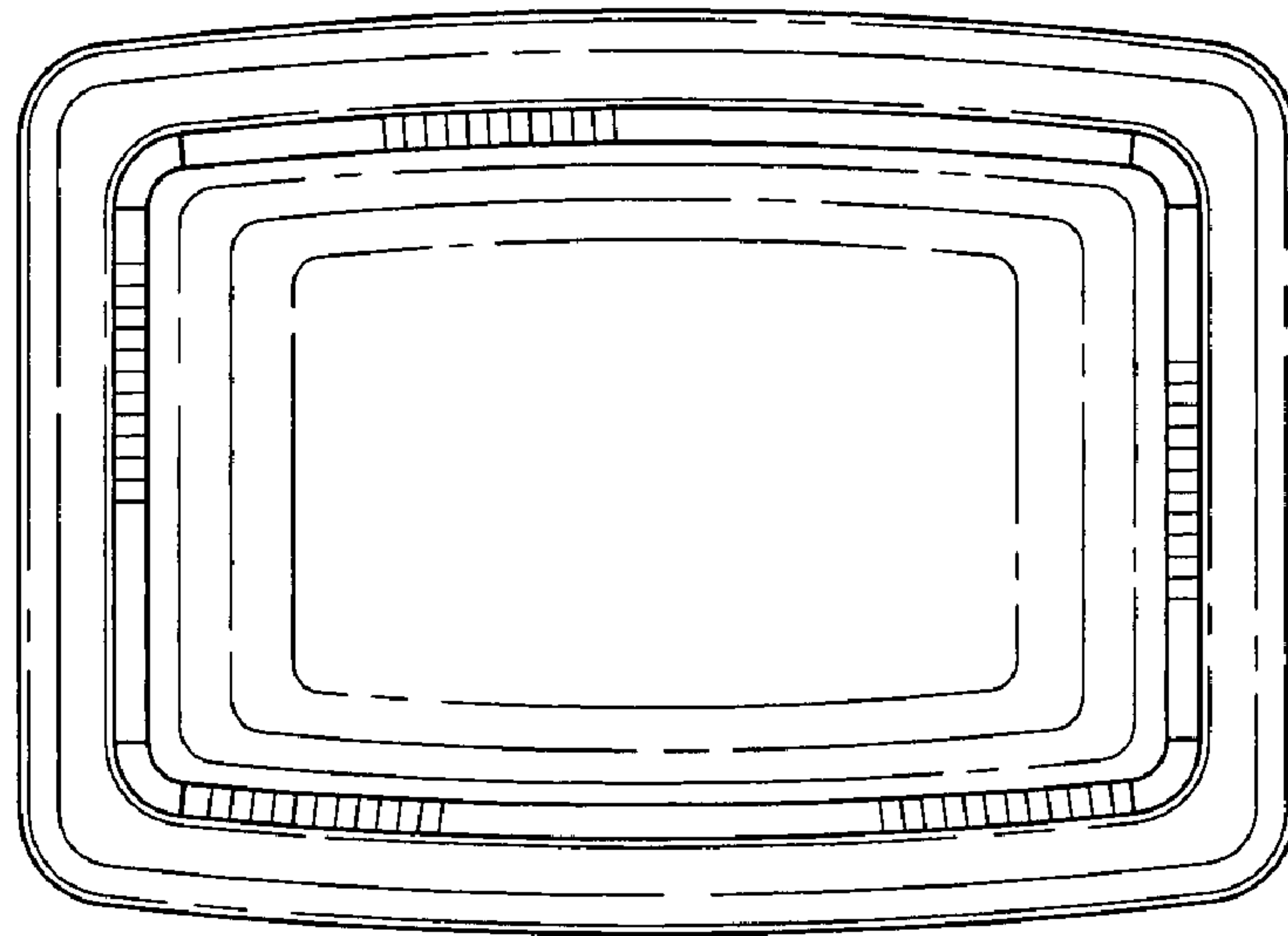


FIG. 2

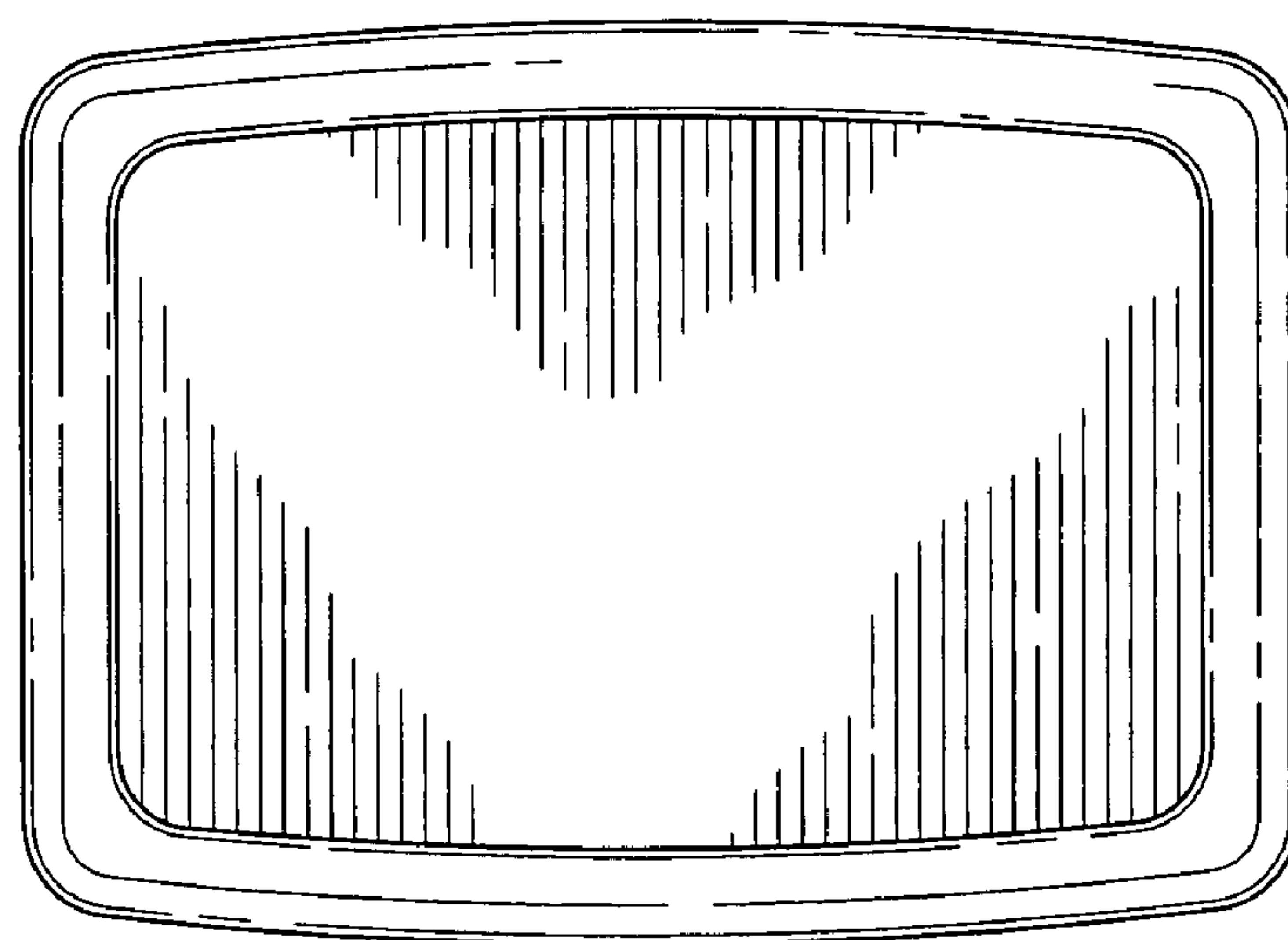


FIG. 3

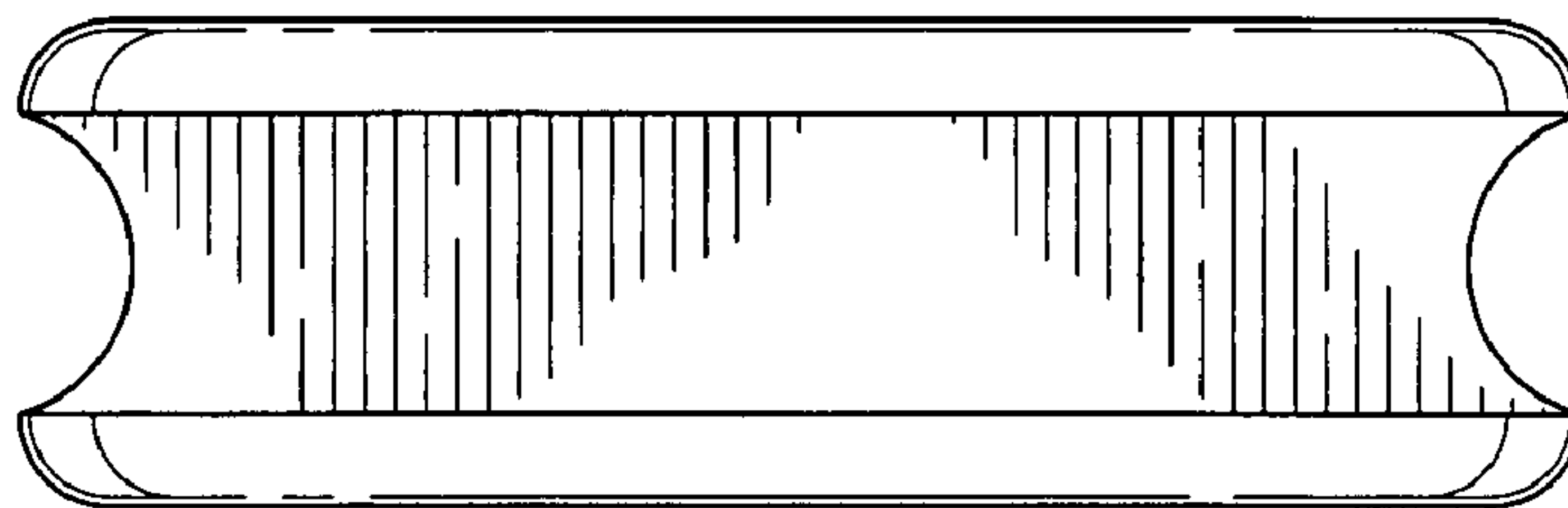


FIG. 4

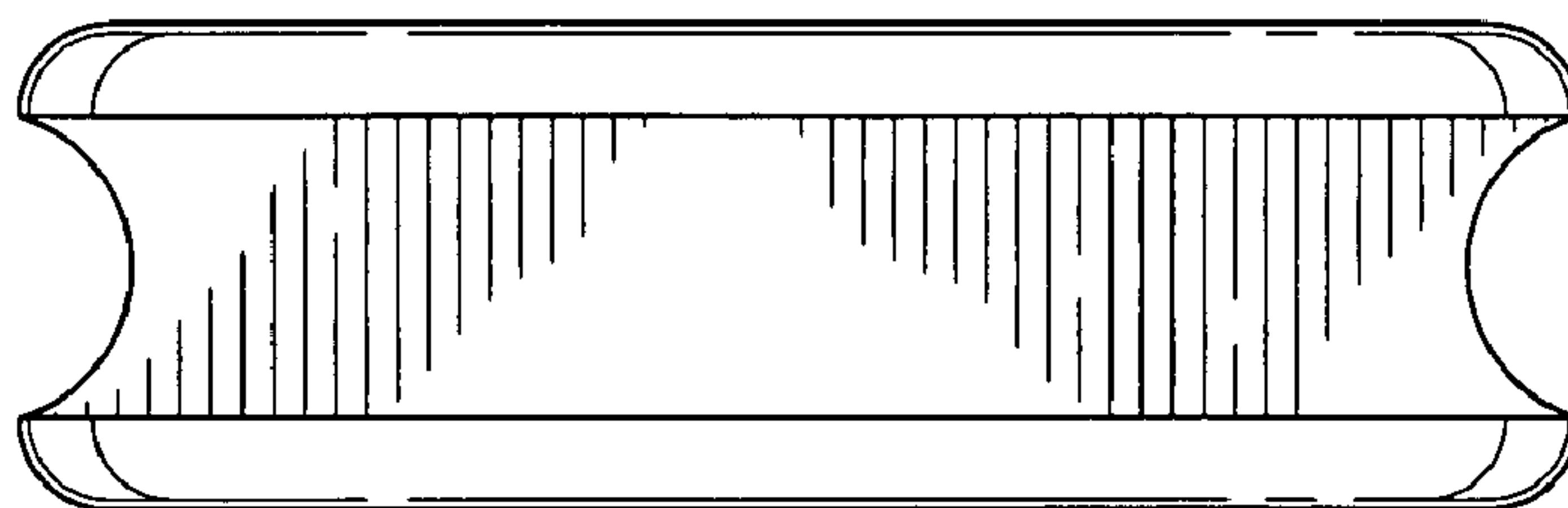


FIG. 5

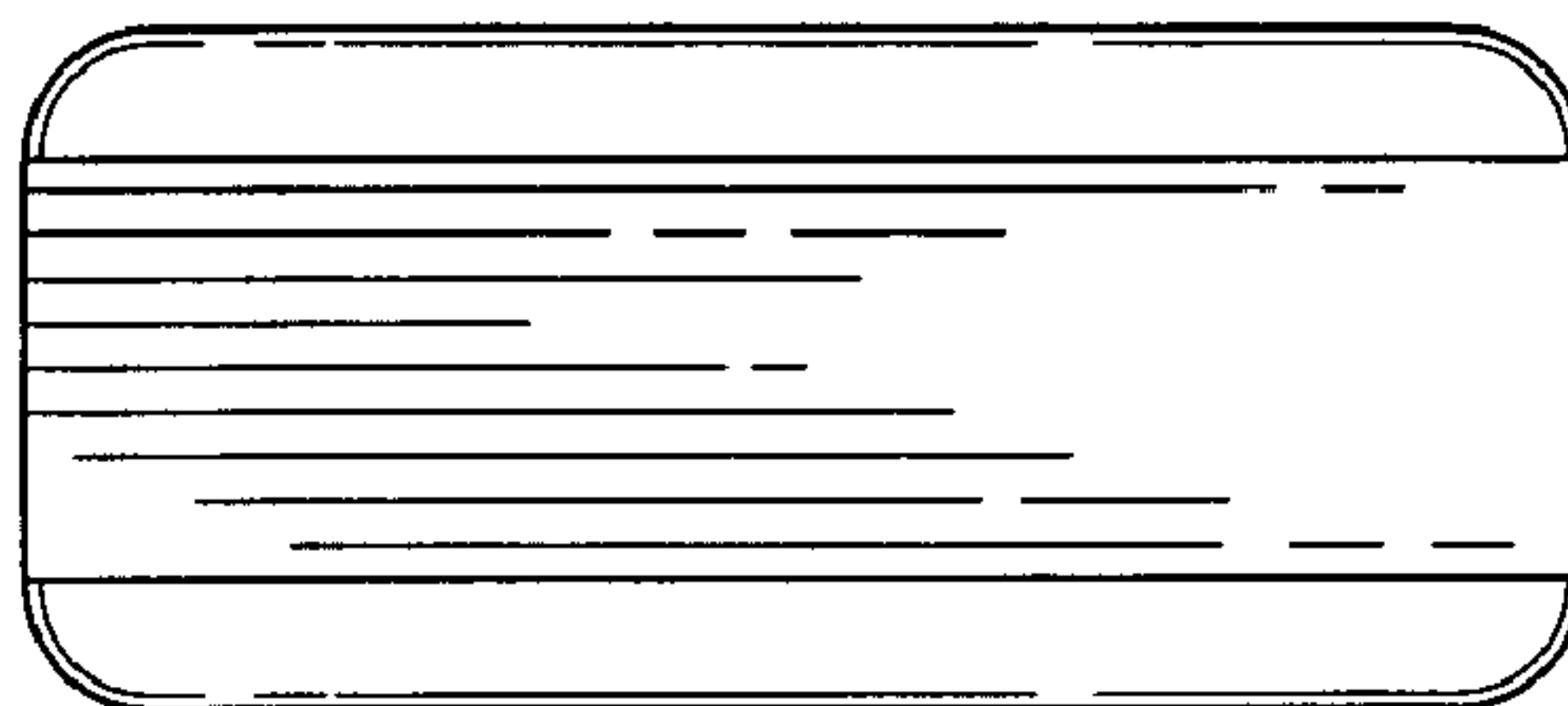


FIG. 6

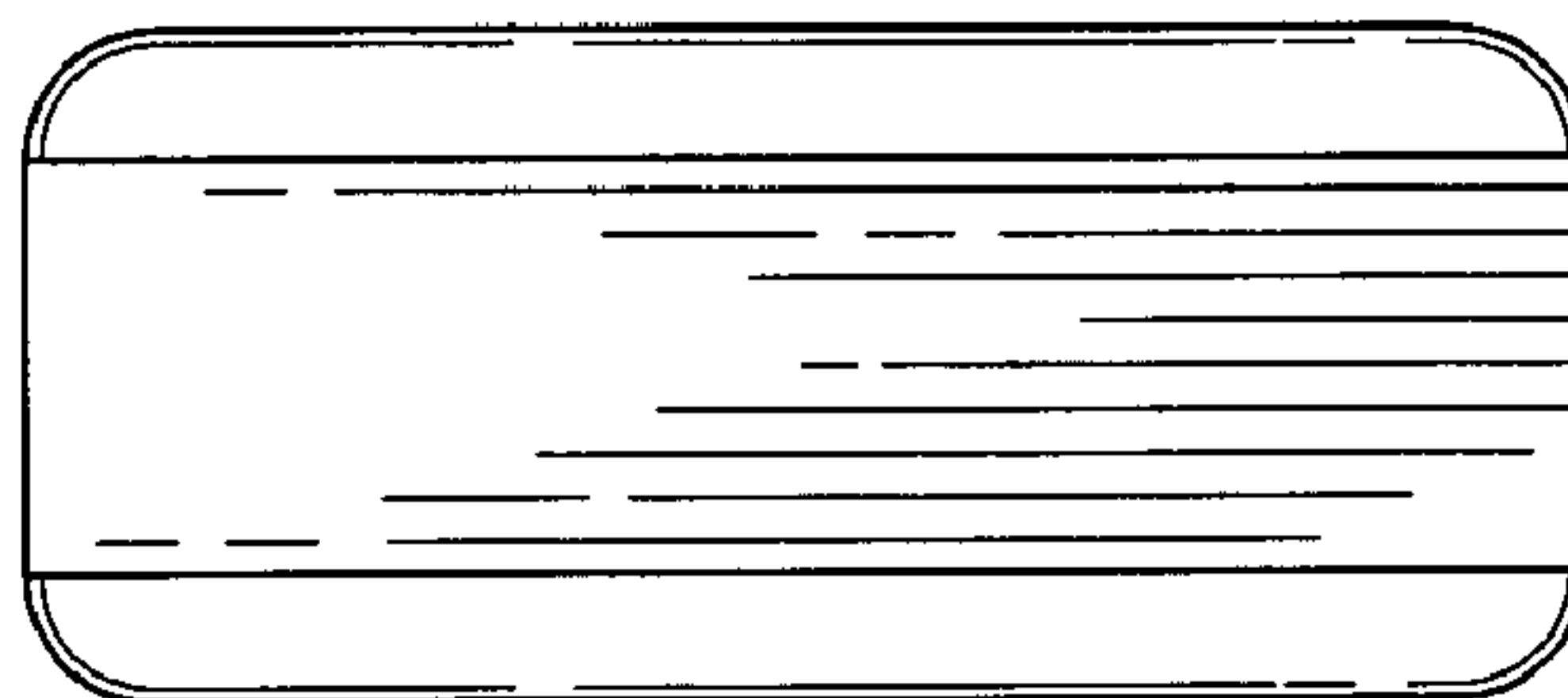


FIG. 7

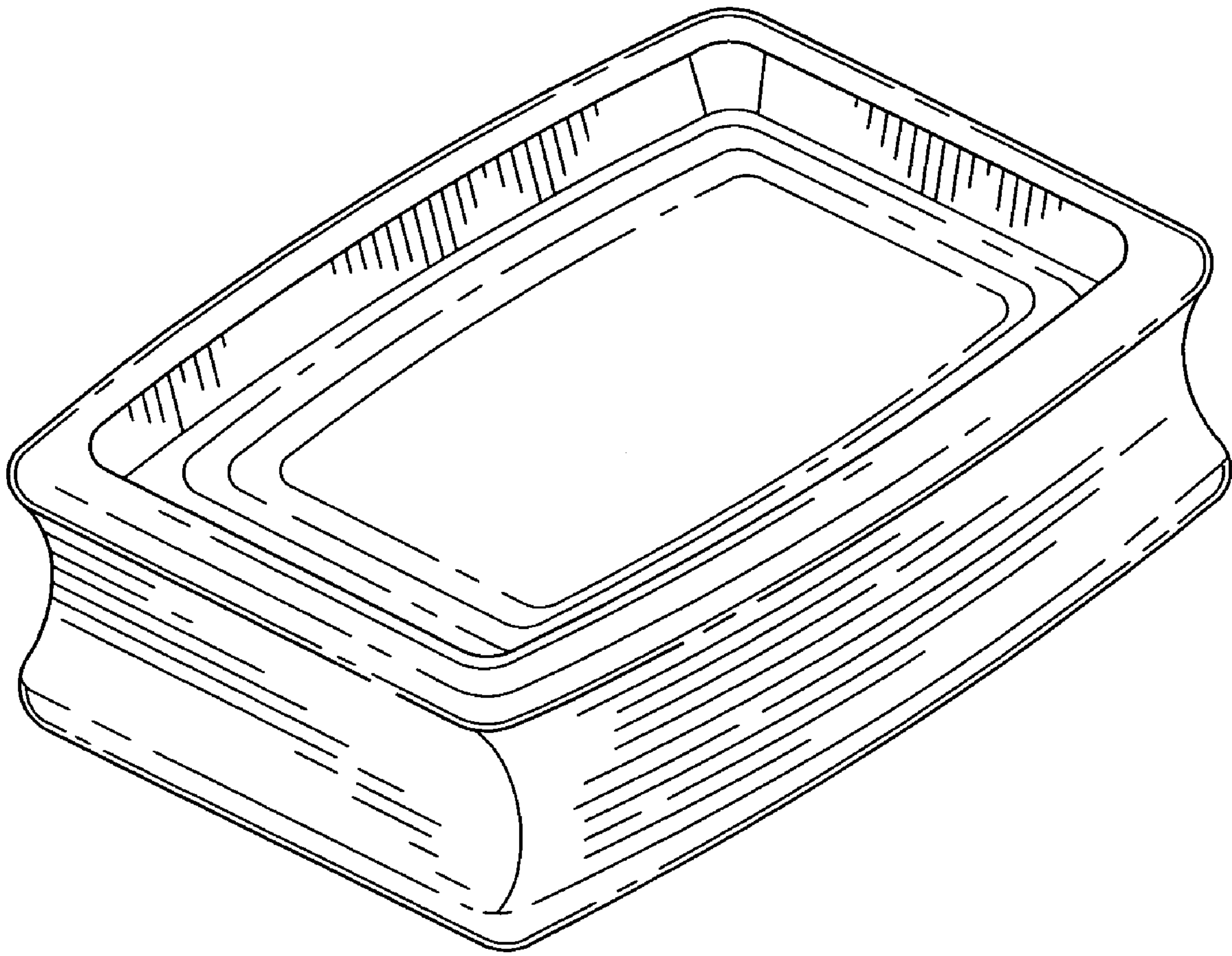


FIG. 8



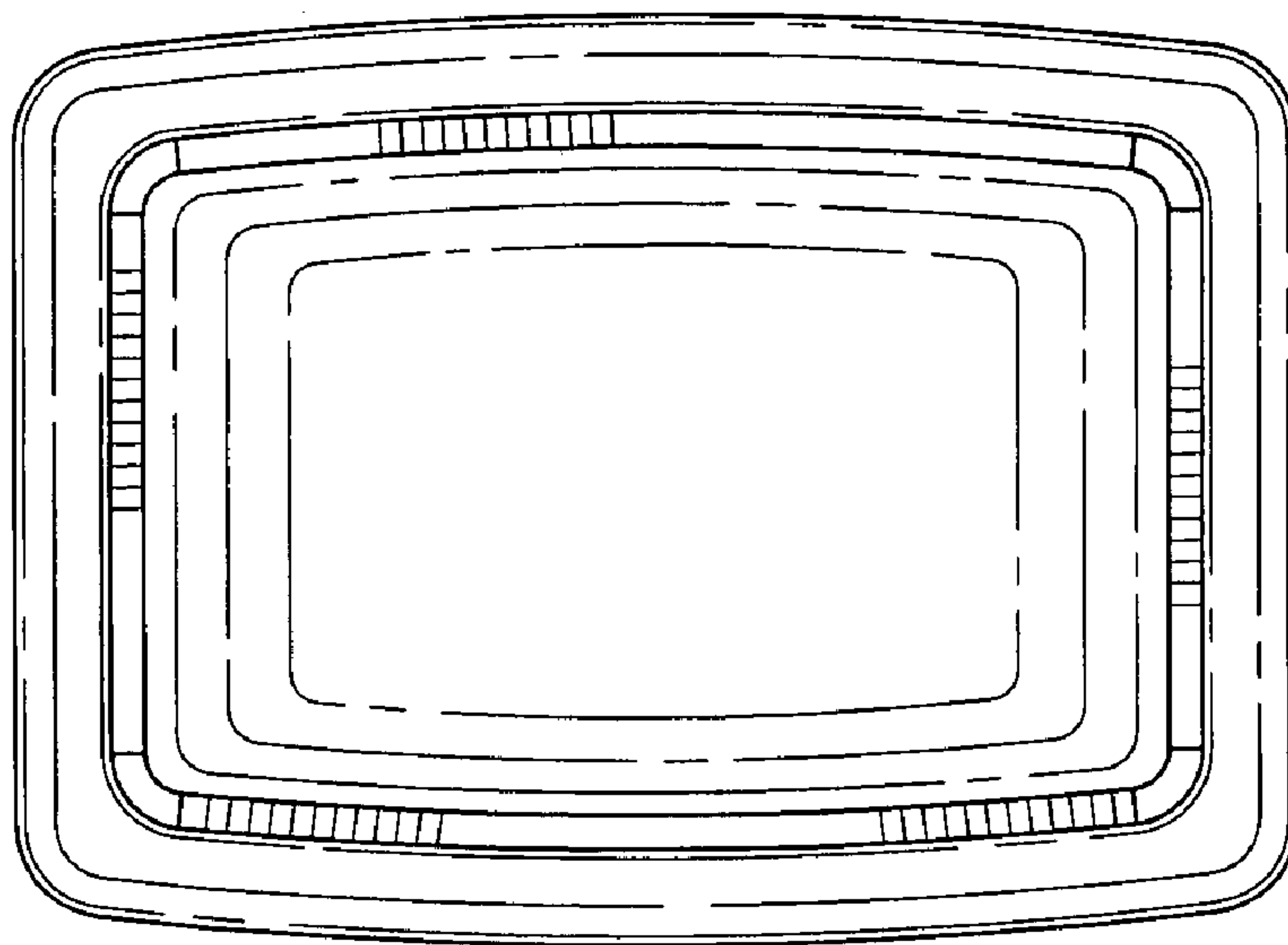


FIG. 9

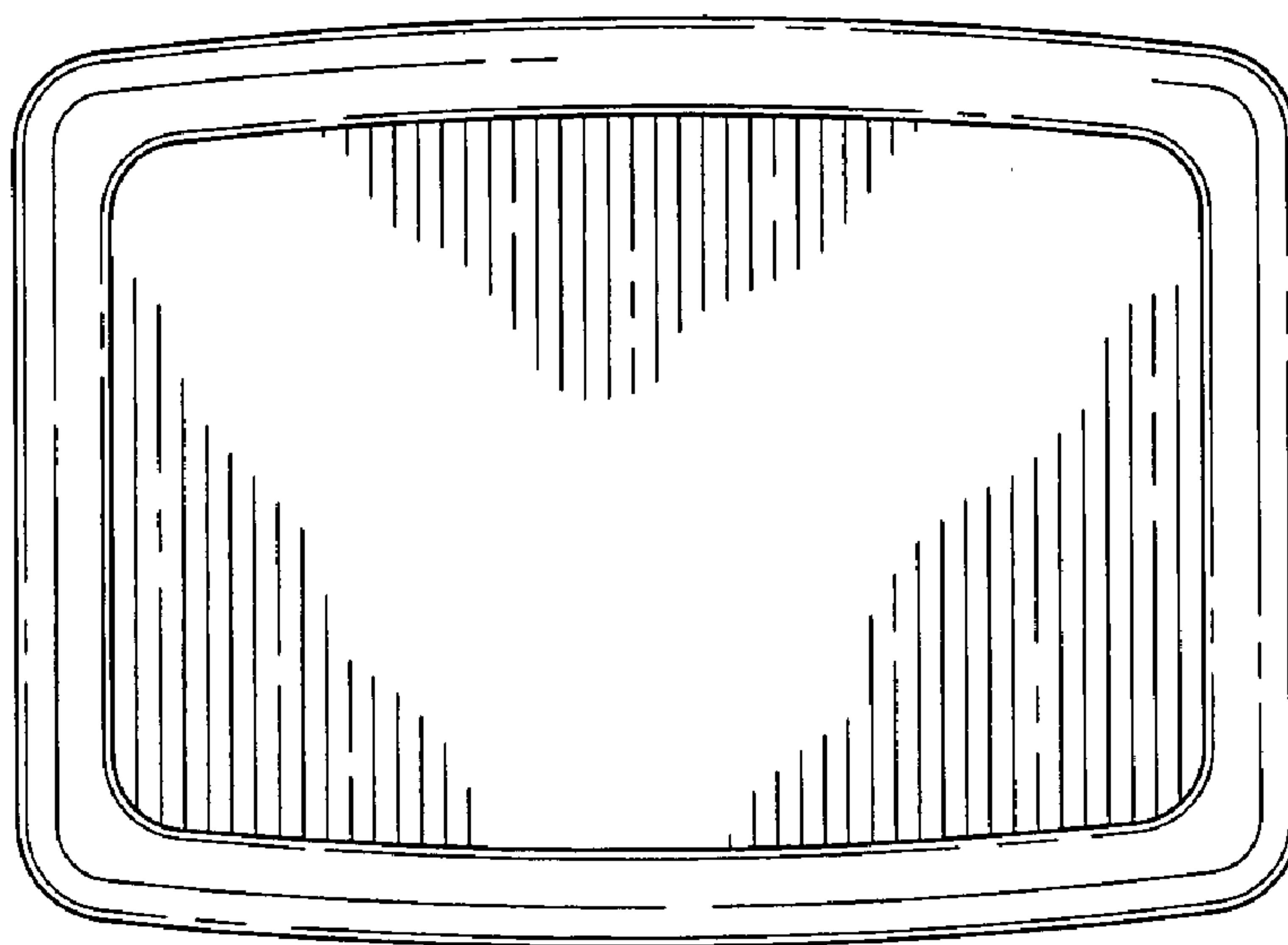


FIG. 10

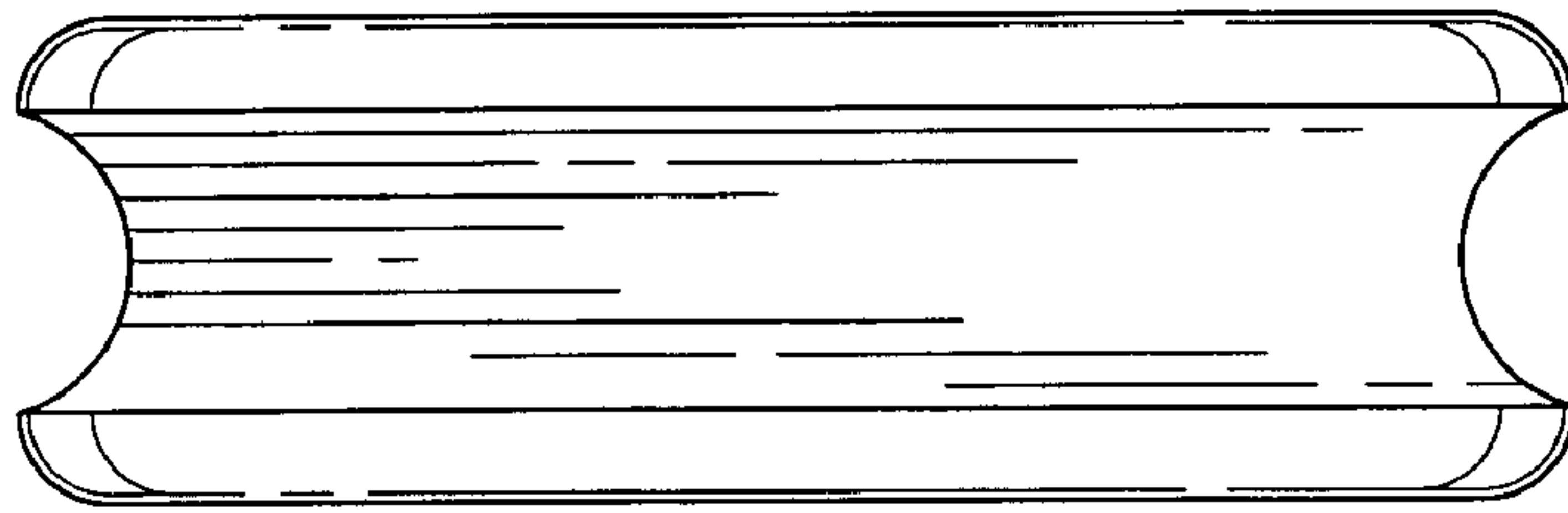


FIG. 11

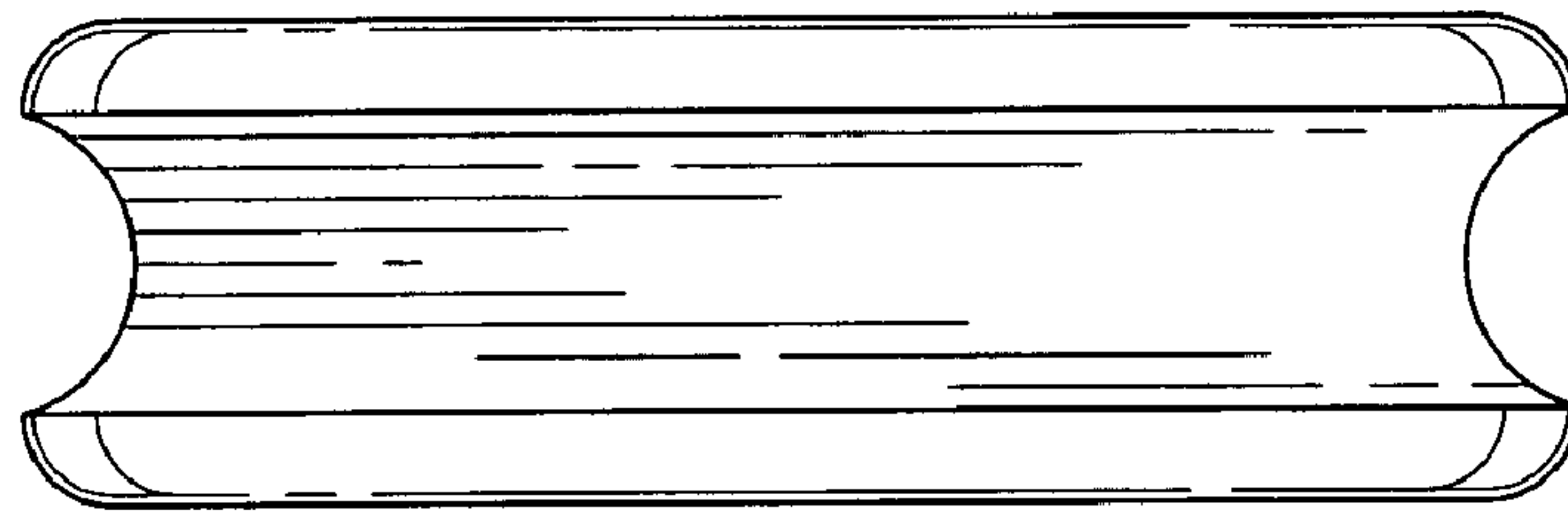


FIG. 12

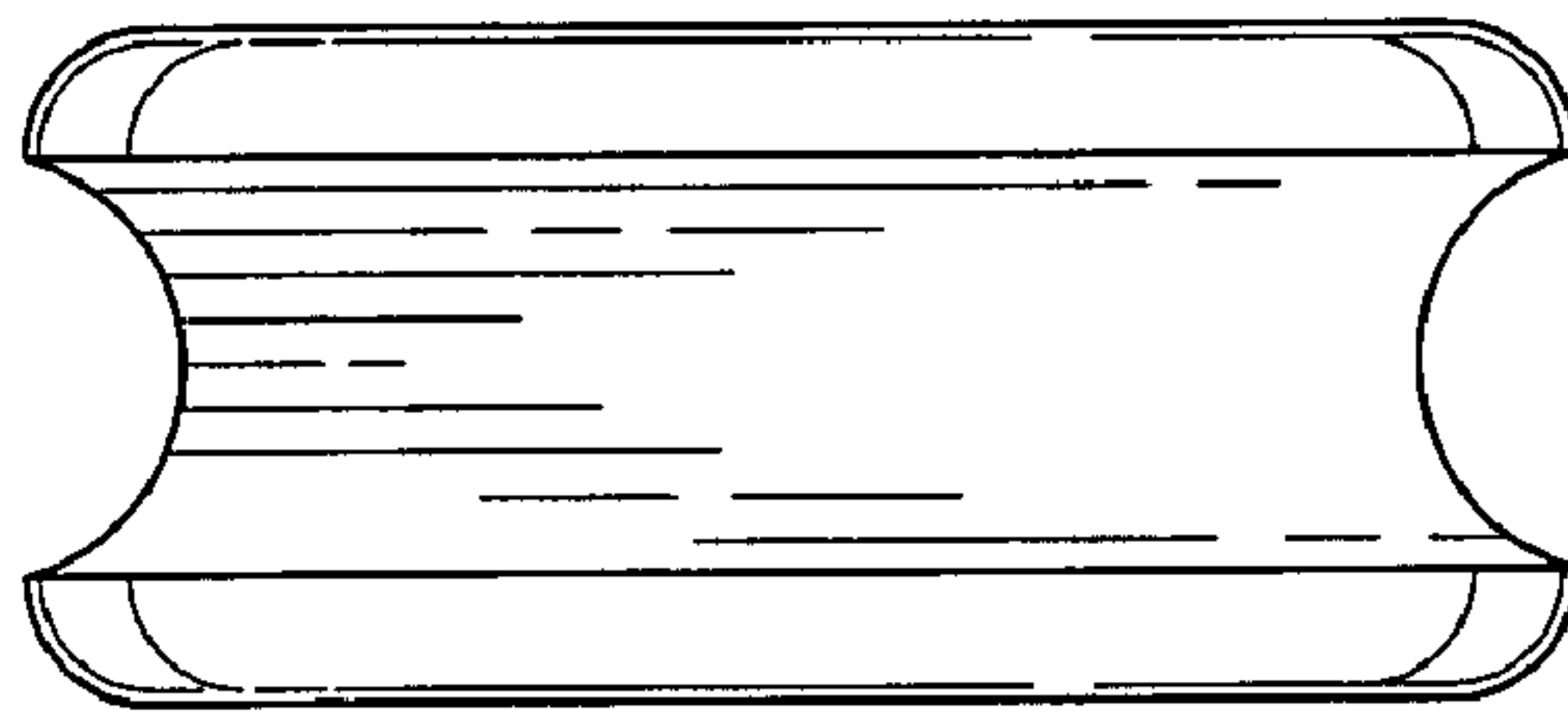


FIG. 13

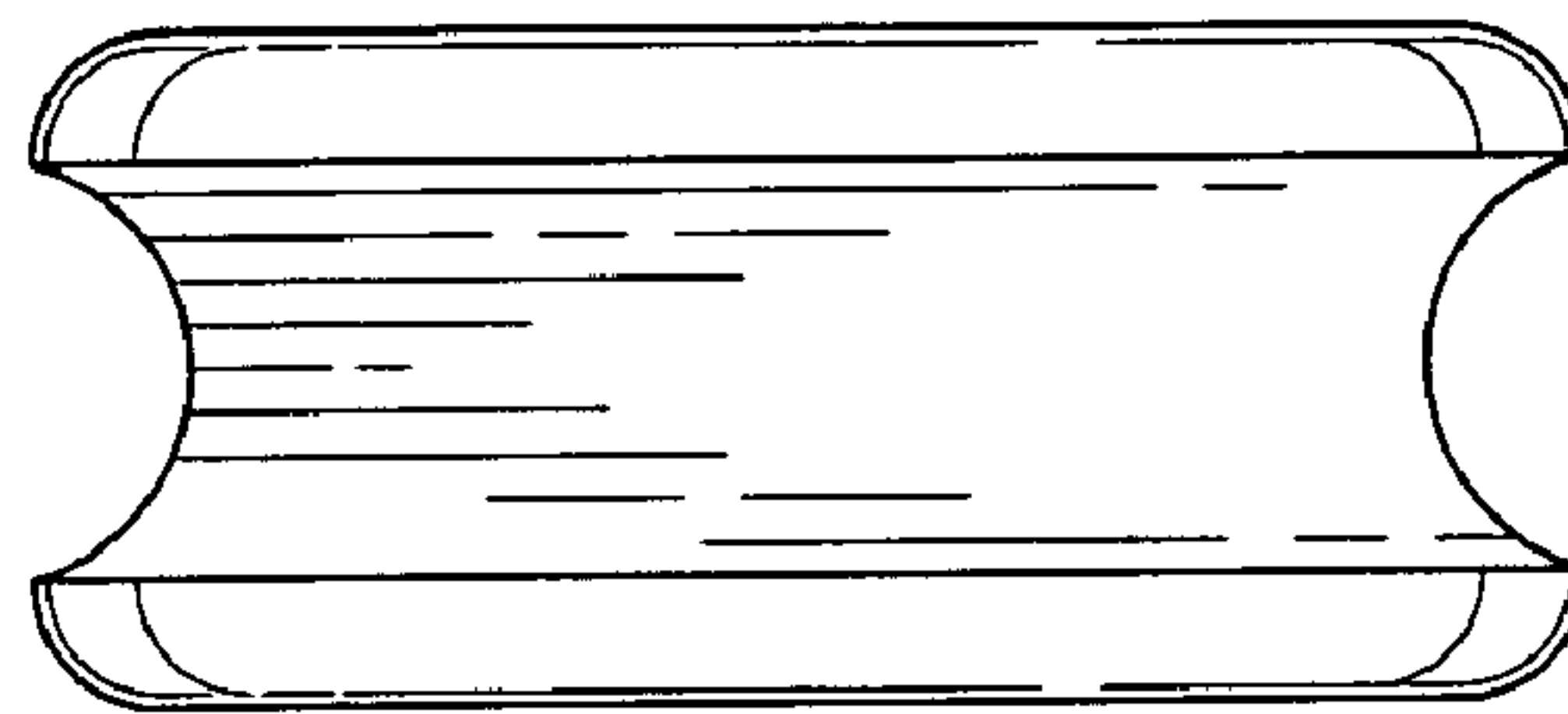


FIG. 14