



US00D587394S

(12) **United States Design Patent**
Pickard et al.

(10) **Patent No.:** **US D587,394 S**

(45) **Date of Patent:** **** Feb. 24, 2009**

(54) **EYEBALL ACCESSORY FOR A LIGHTING DEVICE**

(75) Inventors: **Paul Kenneth Pickard**, Morrisville, NC (US); **Gary David Trott**, Morrisville, NC (US); **Edward Roger Adams**, Englewood, TN (US)

(73) Assignee: **Cree LED Lighting Solutions, Inc.**, Durham, NC (US)

(**) Term: **14 Years**

(21) Appl. No.: **29/279,357**

(22) Filed: **Apr. 27, 2007**

(51) **LOC (9) Cl.** **26-99**

(52) **U.S. Cl.** **D26/118**

(58) **Field of Classification Search** D26/113,
D26/118, 122, 152, 72, 74, 155, 60, 75, 77,
D26/85, 119, 127, 128, 61, 63, 64, 65, 76,
D26/78, 80, 81, 82, 83, 120, 123, 124, 135,
D26/138, 142, 149, 151; 362/563, 147, 151,
362/218, 246, 260, 277, 285, 330, 364, 365,
362/404

See application file for complete search history.

(56) **References Cited**

U.S. PATENT DOCUMENTS

382,210 A 5/1888 Black
D50,559 S 4/1917 Martin
1,674,165 A 6/1928 Dorey

(Continued)

OTHER PUBLICATIONS

U.S. Appl. No. 29/267,856, filed Oct. 23, 2006, Chan et al.

(Continued)

Primary Examiner—Freda S. Nunn
Assistant Examiner—Kevin K Rudzinski
(74) *Attorney, Agent, or Firm*—Burr & Brown

(57) **CLAIM**

The ornamental design for an eyeball accessory for a lighting device, as shown and described.

DESCRIPTION

FIG. 1 is a front view of the eyeball accessory for a lighting device in accordance with our new design, shown in an expanded configuration;

FIG. 2 is a back view thereof;

FIG. 3 is a right side view thereof;

FIG. 4 is a left side view thereof;

FIG. 5 is a top view thereof;

FIG. 6 is a bottom view thereof;

FIG. 7 is a top perspective view thereof;

FIG. 8 is a bottom perspective view thereof;

FIG. 9 is a front view of the eyeball accessory for a lighting device shown in a collapsed configuration;

FIG. 10 is a back view thereof;

FIG. 11 is a right side view thereof;

FIG. 12 is a left side view thereof;

FIG. 13 is a top view thereof;

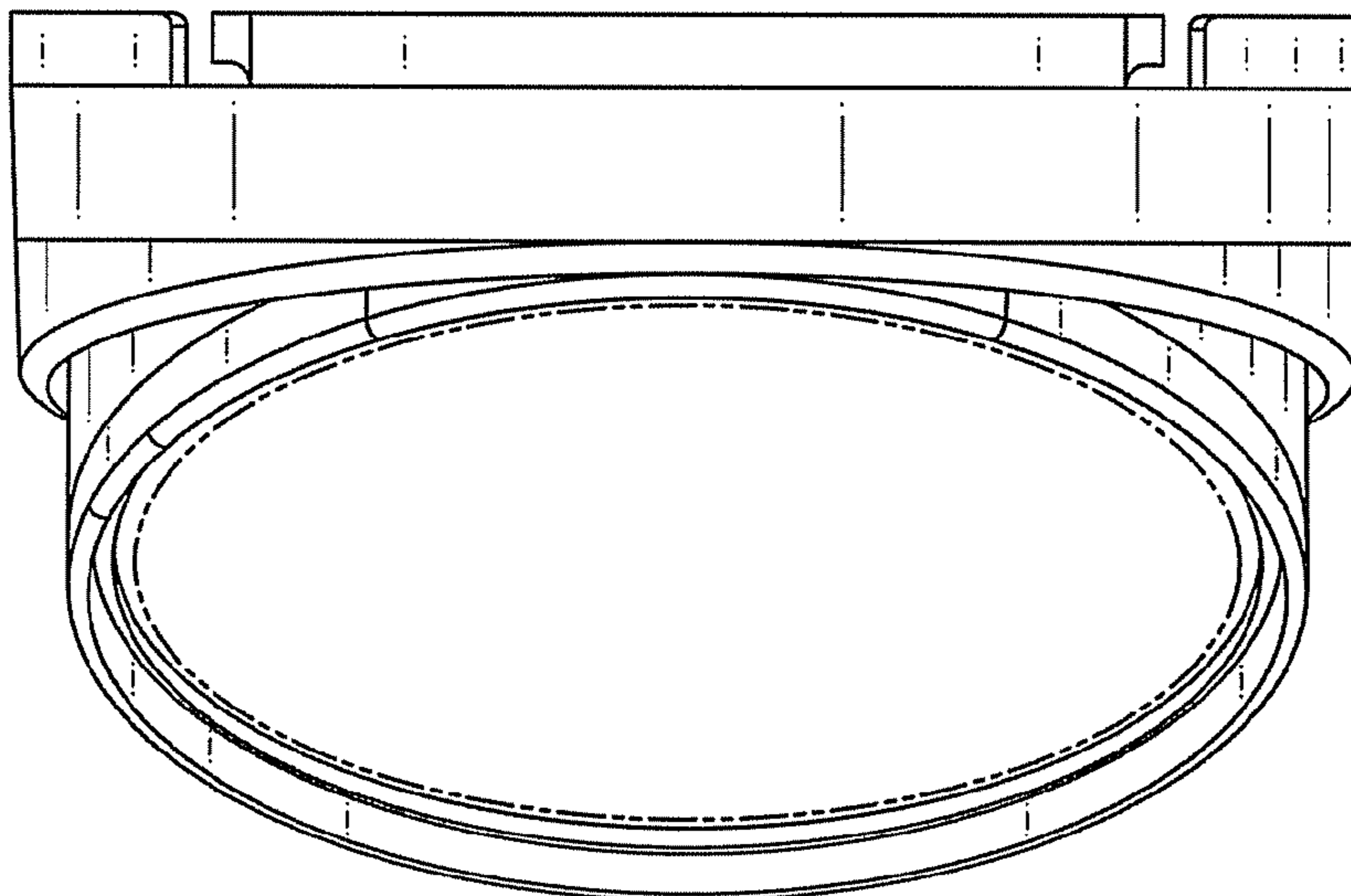
FIG. 14 is a bottom view thereof;

FIG. 15 is a top perspective view thereof; and,

FIG. 16 is a bottom perspective view thereof.

The broken line forming a circular region within the claimed design defines the bounds of the claimed design and forms no part thereof.

1 Claim, 8 Drawing Sheets



U.S. PATENT DOCUMENTS

D79,309 S 8/1929 Sanford
 2,010,322 A 8/1935 Riddell
 D107,878 S 1/1938 Levy
 D115,970 S 8/1939 Stewart
 D160,640 S 10/1950 Magroch
 2,835,791 A 5/1958 Horwitz
 2,878,425 A 3/1959 Kudoh
 3,040,172 A 6/1962 Kingsley
 D196,618 S 10/1963 Hammes
 D197,985 S 4/1964 Dawson
 3,330,951 A 7/1967 Neal
 3,401,258 A 9/1968 Guth
 3,518,420 A 6/1970 Kripp
 3,662,165 A 5/1972 Osteen et al.
 3,697,742 A 10/1972 Bobrick
 3,705,302 A 12/1972 Judge et al.
 3,950,638 A 4/1976 Kent et al.
 D247,562 S 3/1978 Walker et al.
 4,142,227 A 2/1979 Aikens
 4,173,037 A 10/1979 Henderson et al.
 4,241,393 A 12/1980 Olson
 D259,518 S 6/1981 Garcia et al.
 D264,007 S 4/1982 Heritage
 4,336,575 A 6/1982 Gilman
 4,388,677 A 6/1983 Druffel
 4,404,620 A 9/1983 Takahashi et al.
 4,453,203 A 6/1984 Pate
 4,703,406 A 10/1987 Elliott et al.
 4,729,080 A 3/1988 Fremont et al.
 4,761,721 A 8/1988 Willing
 4,803,603 A 2/1989 Carson
 D302,860 S 8/1989 Anema
 4,972,339 A 11/1990 Gabrius
 5,014,175 A 5/1991 Osteen et al.
 D326,163 S 5/1992 Sonneman
 D326,537 S 5/1992 Gattari
 5,183,330 A 2/1993 Rishel et al.
 D340,514 S 10/1993 Liao
 5,287,259 A 2/1994 Lautzenheiser
 D347,292 S 5/1994 Roos et al.
 5,345,371 A 9/1994 Cunningham et al.
 D352,797 S 11/1994 Mehaffey
 D353,910 S 12/1994 Hayman et al.
 5,373,431 A 12/1994 Hayman et al.
 5,440,471 A 8/1995 Zadeh
 5,465,199 A 11/1995 Bray et al.
 D370,550 S 6/1996 Lecluze
 D376,667 S 12/1996 Lecluze
 D381,454 S 7/1997 Lecluze
 D383,565 S 9/1997 Demshki et al.
 D386,277 S 11/1997 Lecluze
 D387,466 S 12/1997 Lecluze
 D388,526 S 12/1997 Bray
 D397,490 S 8/1998 Lecluze
 5,800,050 A 9/1998 Leadford
 5,823,664 A 10/1998 Demshki et al.
 D404,122 S 1/1999 Hayashi et al.
 5,857,766 A 1/1999 Sieczkowski
 D410,295 S 5/1999 Lueken et al.
 5,957,574 A 9/1999 Hentz et al.
 6,004,011 A 12/1999 Sieczkowski
 D427,368 S * 6/2000 Kelmelis et al. D26/152
 6,089,732 A 7/2000 Wright et al.
 6,095,669 A 8/2000 Cho
 6,123,438 A 9/2000 Hentz
 6,176,597 B1 1/2001 Smith
 6,179,446 B1 1/2001 Sarmadi
 D437,654 S 2/2001 Chen

6,217,189 B1 4/2001 Nassim
 6,283,430 B1 9/2001 Schubert et al.
 6,375,338 B1 4/2002 Cummings et al.
 D465,061 S * 10/2002 Guthrie D26/138
 6,474,846 B1 11/2002 Kelmelis et al.
 6,505,960 B2 1/2003 Schubert et al.
 D469,916 S 2/2003 Caferro et al.
 D471,314 S 3/2003 Guthrie
 D473,965 S 4/2003 Lecluze
 D474,298 S 5/2003 Lecluze
 D474,300 S 5/2003 Lecluze
 D476,108 S 6/2003 Lecluze
 6,588,922 B1 7/2003 DeCicco
 6,632,006 B1 10/2003 Rippel et al.
 6,655,813 B1 12/2003 Ng
 D485,006 S 1/2004 Huang
 D488,252 S 4/2004 Benghozi
 D488,583 S 4/2004 Benghozi
 D488,880 S 4/2004 Rahn
 D490,930 S 6/2004 Snead
 6,755,559 B2 6/2004 Wang et al.
 6,921,186 B1 7/2005 Viskovich
 D516,235 S 2/2006 Rashidi
 D527,119 S 8/2006 Maxik et al.
 D528,673 S 9/2006 Maxik et al.
 7,121,696 B2 * 10/2006 Whitfield, Sr. 362/365
 D538,951 S 3/2007 Maxik et al.
 D538,952 S 3/2007 Maxik et al.
 D544,128 S 6/2007 Carro
 D545,457 S 6/2007 Chen
 D548,391 S 8/2007 Lecluze
 2003/0142499 A1 7/2003 Chiu
 2003/0185012 A1 10/2003 Sitzema et al.

OTHER PUBLICATIONS

U.S. Appl. No. 29/267,857, filed Oct. 23, 2006, Chan et al.
 U.S. Appl. No. 29/267,911, filed Oct. 23, 2006, Chan et al.
 U.S. Appl. No. 29/267,853, filed Oct. 23, 2006, Chan et al.
 U.S. Appl. No. 29/267,854, filed Oct. 23, 2006, Chan et al.
 U.S. Appl. No. 29/267,860, filed Oct. 23, 2006, Chan et al.
 U.S. Appl. No. 29/267,855, filed Oct. 23, 2006, Chan et al.
 U.S. Appl. No. 29/267,852, filed Oct. 23, 2006, Chan et al.
 U.S. Appl. No. 29/279,351, filed Apr. 27, 2007, Chan et al.
 U.S. Appl. No. 29/279,352, filed Apr. 27, 2007, Chan et al.
 U.S. Appl. No. 29/279,354, filed Apr. 27, 2007, Chan et al.
 U.S. Appl. No. 29/279,355, filed Apr. 27, 2007, Chan et al.
 U.S. Appl. No. 29/279,589, filed May 3, 2007, Pickard et al.
 U.S. Appl. No. 29/279,591, filed May 3, 2007, Pickard et al.
 U.S. Appl. No. 29/284,294, filed Sep. 5, 2007, Pickard et al.
 DOE SSL Commercial Product Testing Program Report, DOE SSL CPTP Report Product Test Reference # CPTP 07-09 Replacement Lamp, (2007), pp. 1-23.
 DOE SSL Commercial Product Testing Program Report, DOE SSL CPTP Report Product Test Reference # CPTP 07-04 Downlight, (2007), pp. 1-13.
 DOE SSL Commercial Product Testing Program Report, DOE SSL CPTP Report Product Test Reference # CPTP 07-05 Downlight, (2007), pp. 1-13.
 DOE SSL Commercial Product Testing Program Report, DOE SSL CPTP Report Product Test Reference # CPTP 07-06 Replacement Lamp, (2007), pp. 1-22.
 DOE SSL Commercial Product Testing Program Report, DOE SSL CPTP Report Product Test Reference # CPTP 07-08 Replacement Lamp, (2007), pp. 1-22.
 EVO Lighting—Solid State LED Lighting, http://www.renais-sancelighting.com/index_PA.php?t=line&Type=1, evo is a product of RL Light, 2007, pp. 1-15.

* cited by examiner

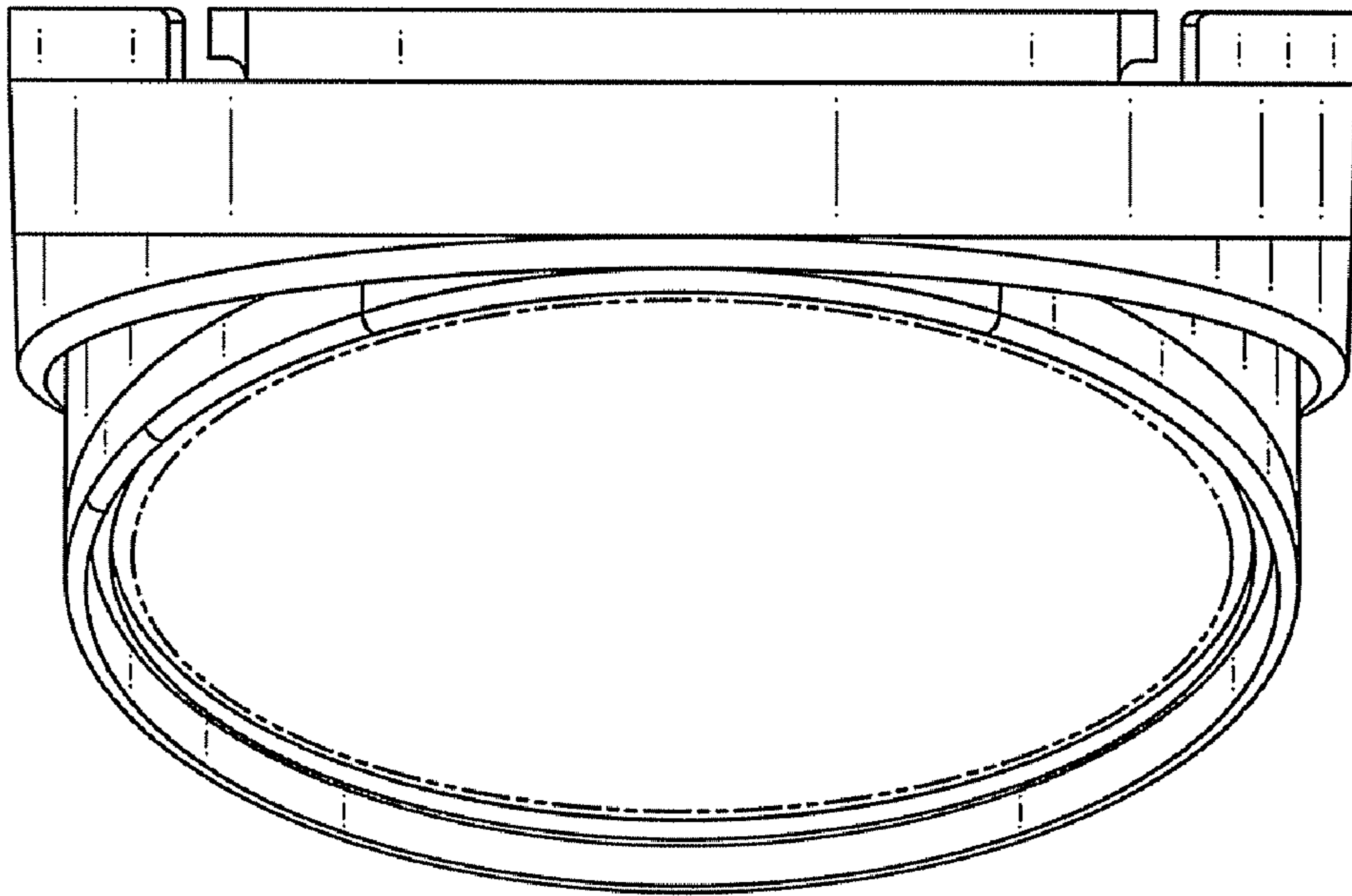


FIG.1

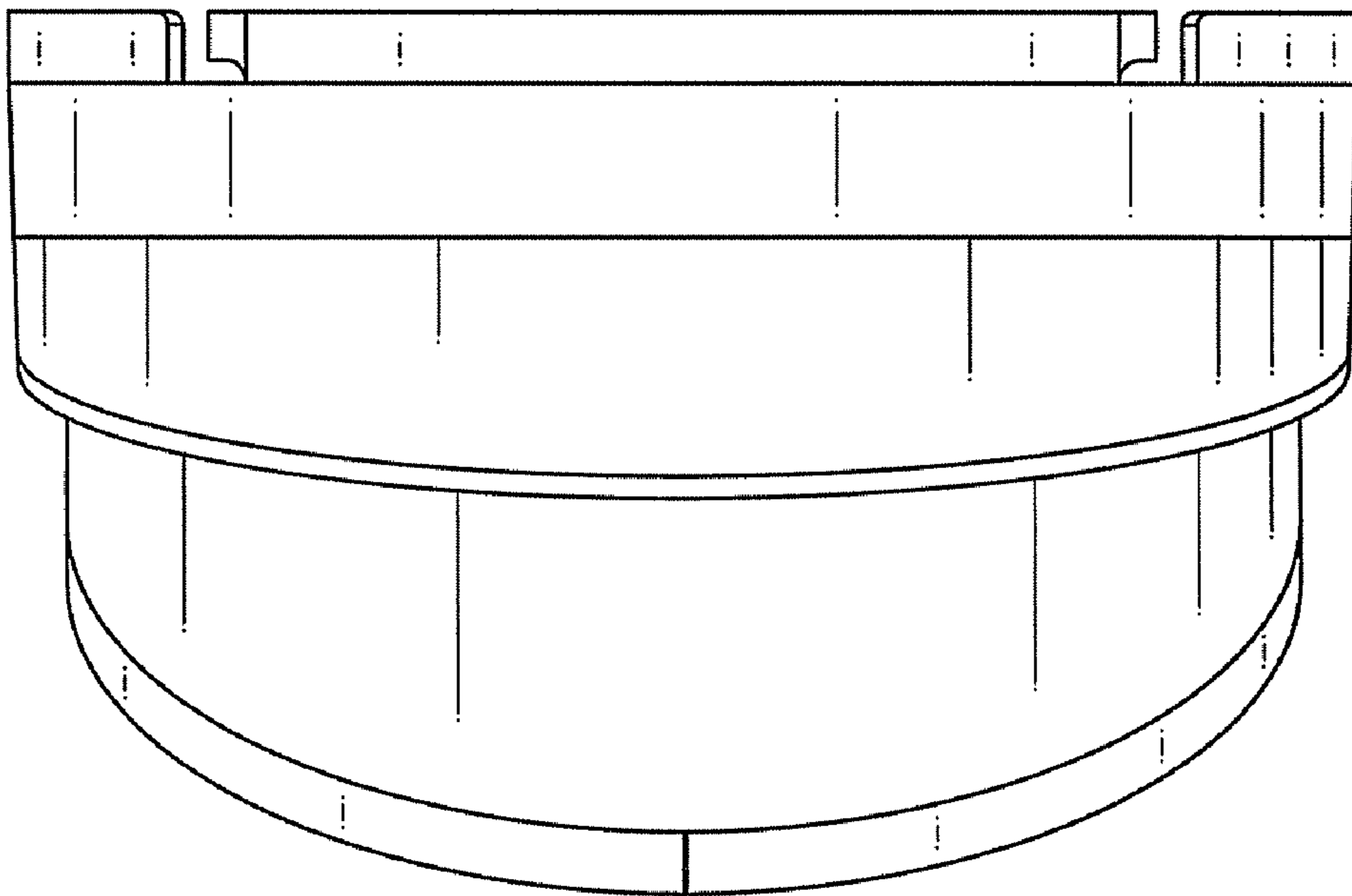


FIG.2

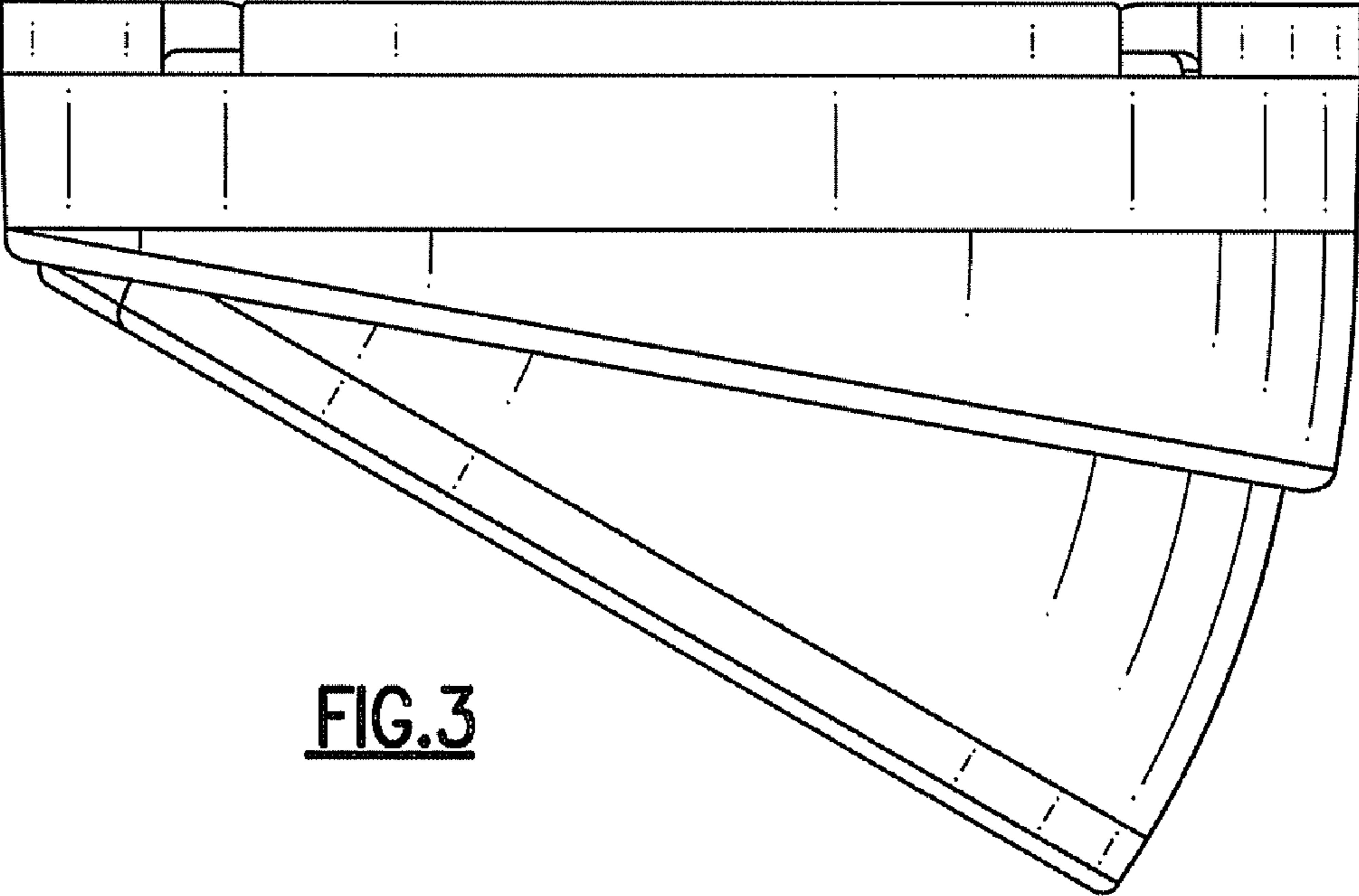


FIG.3

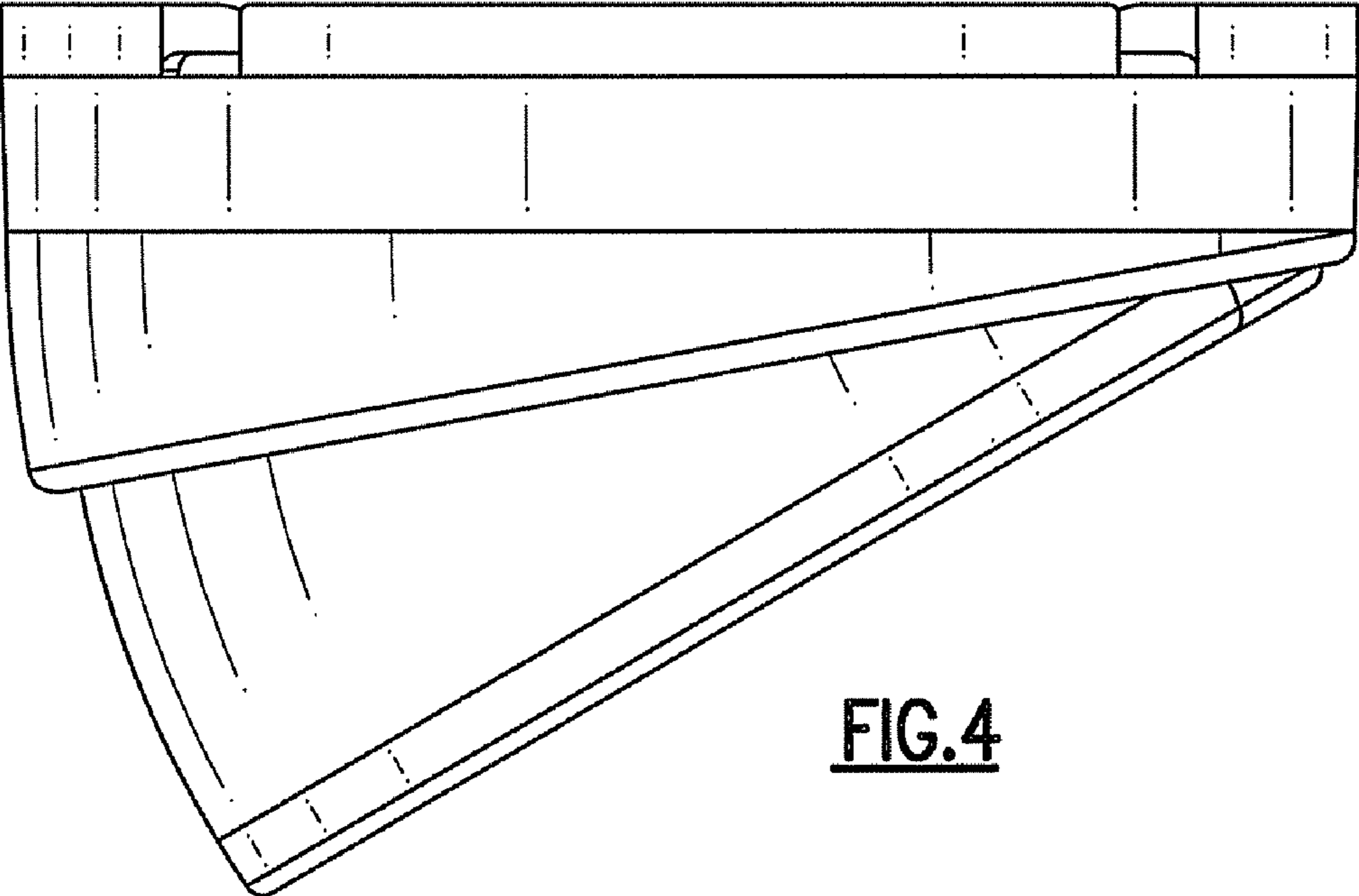


FIG.4

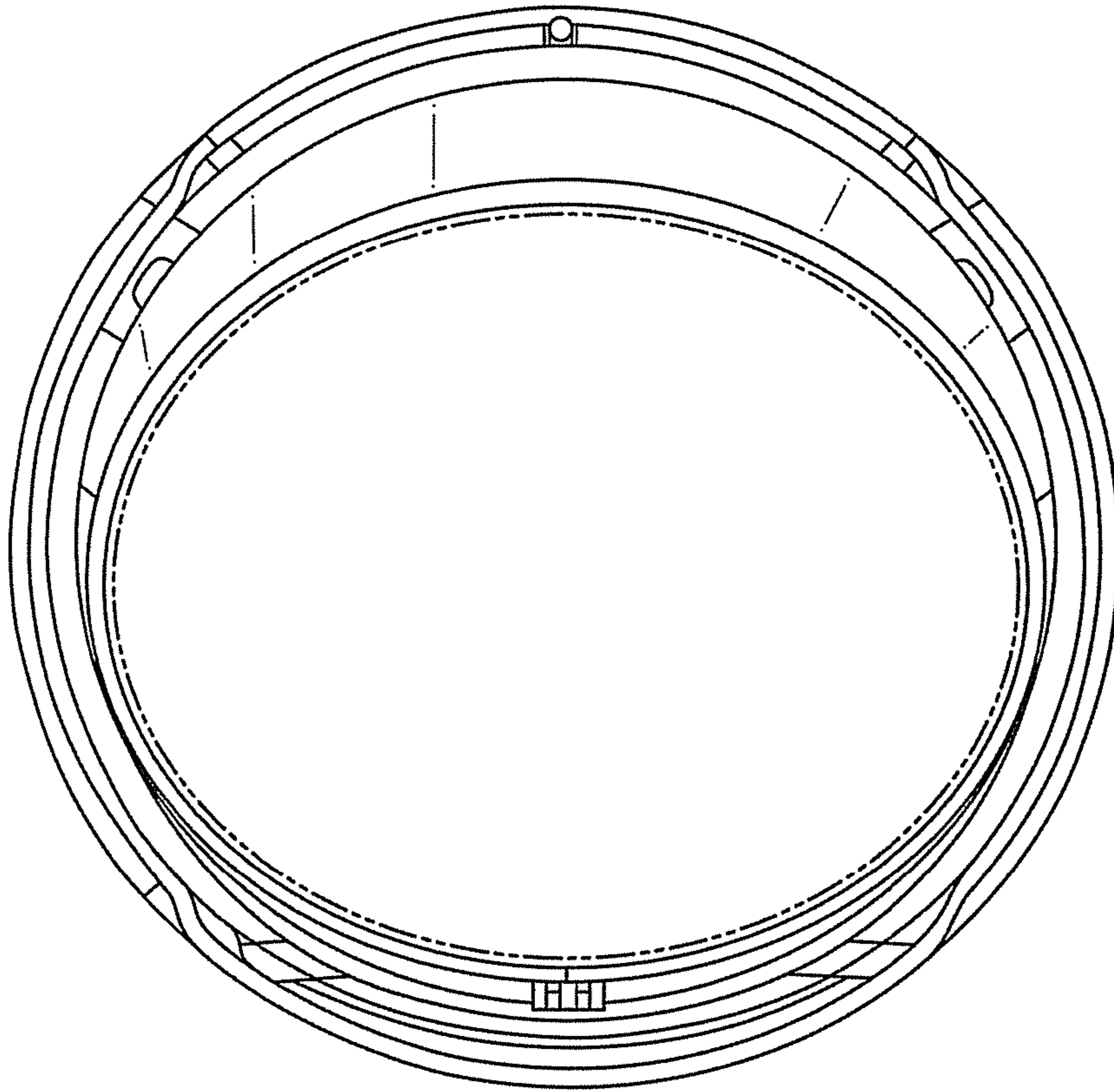


FIG. 5

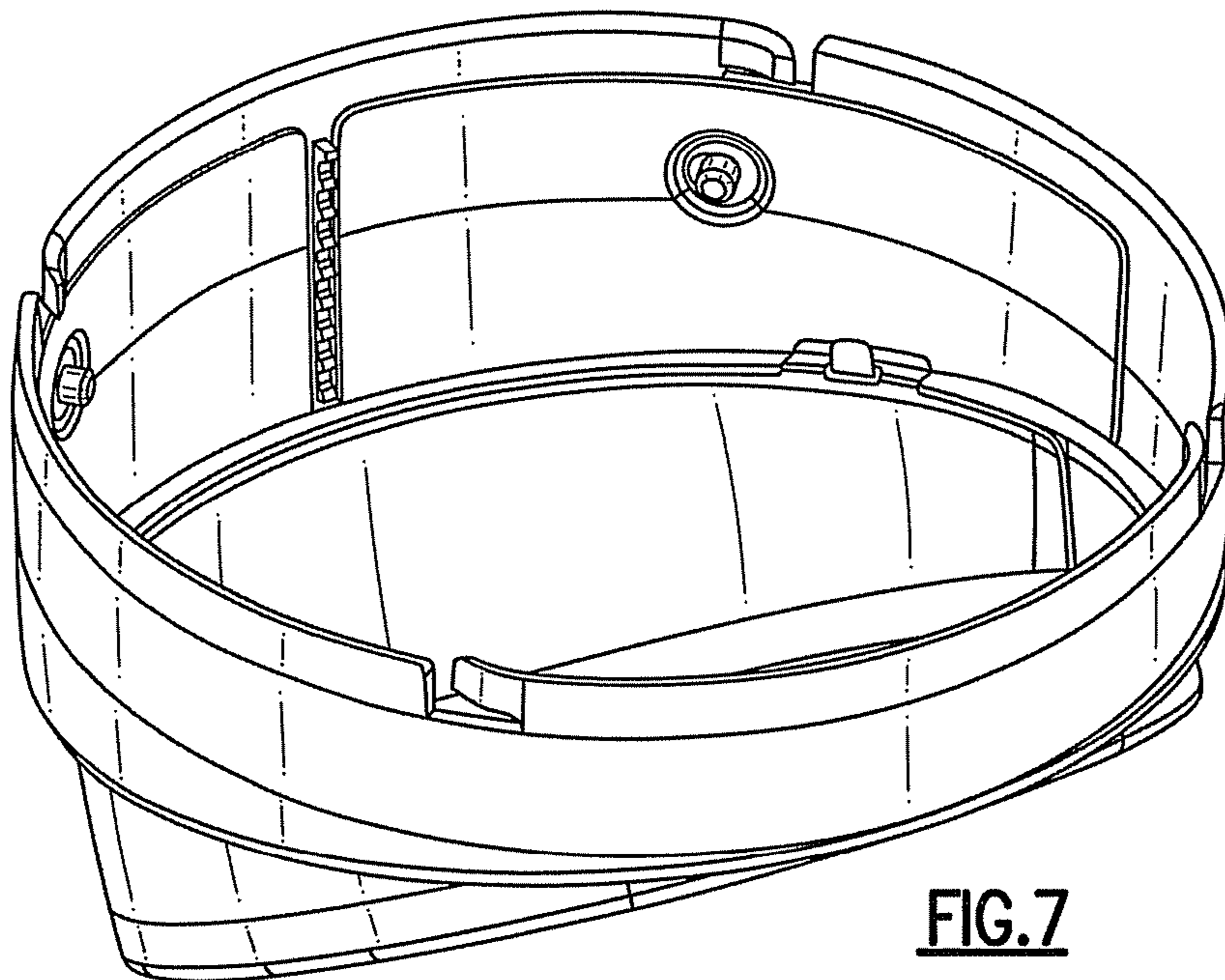


FIG. 7

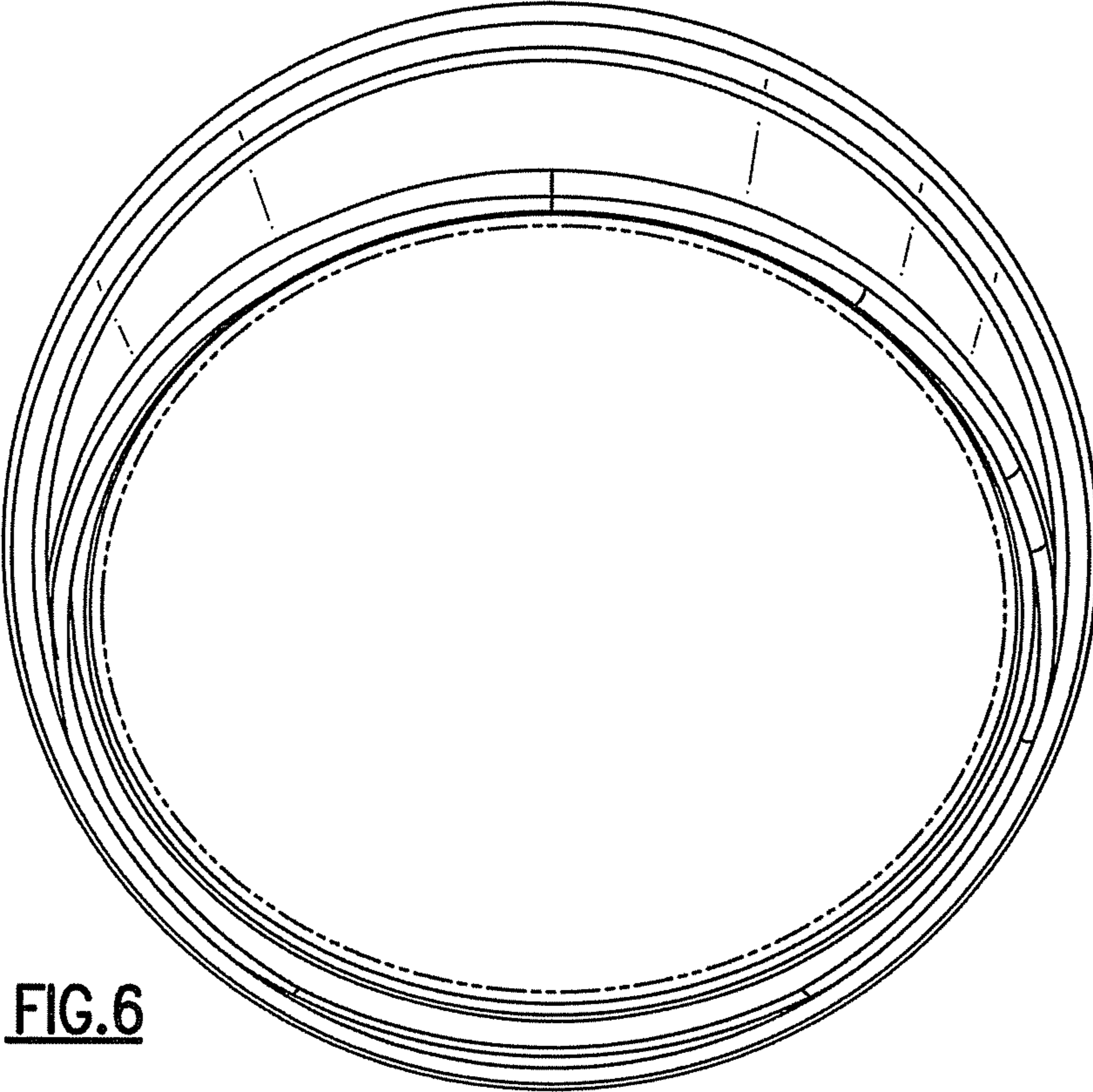


FIG. 6

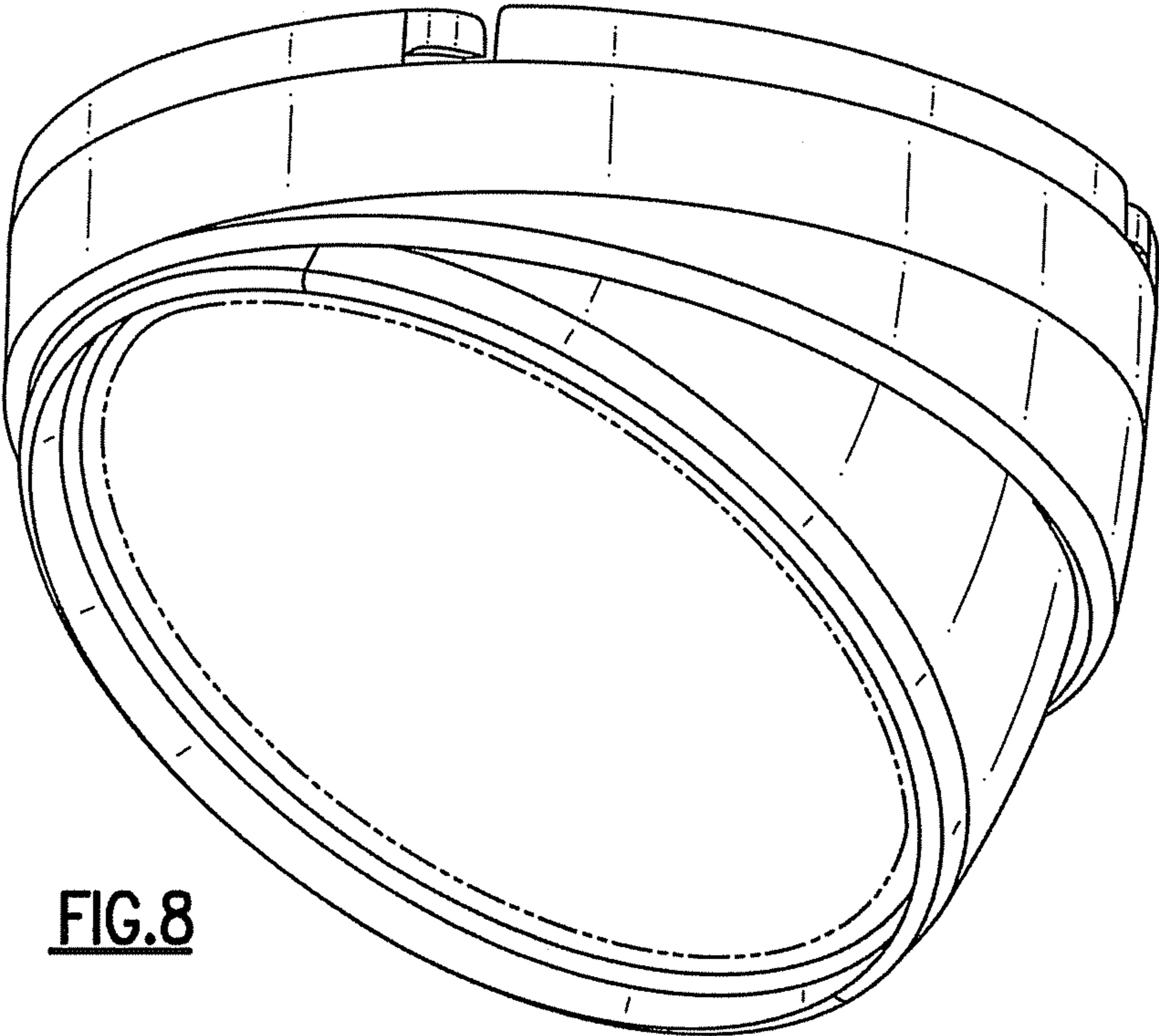


FIG. 8

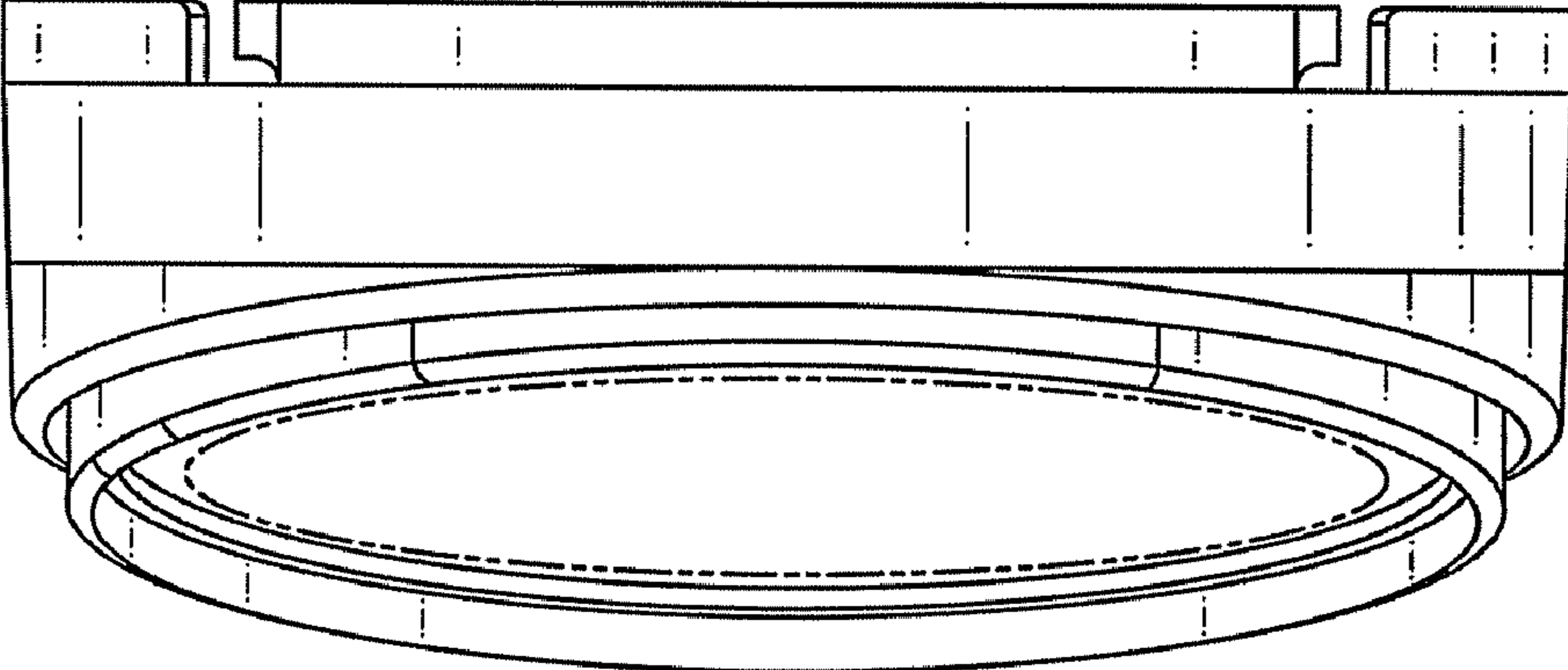


FIG.9

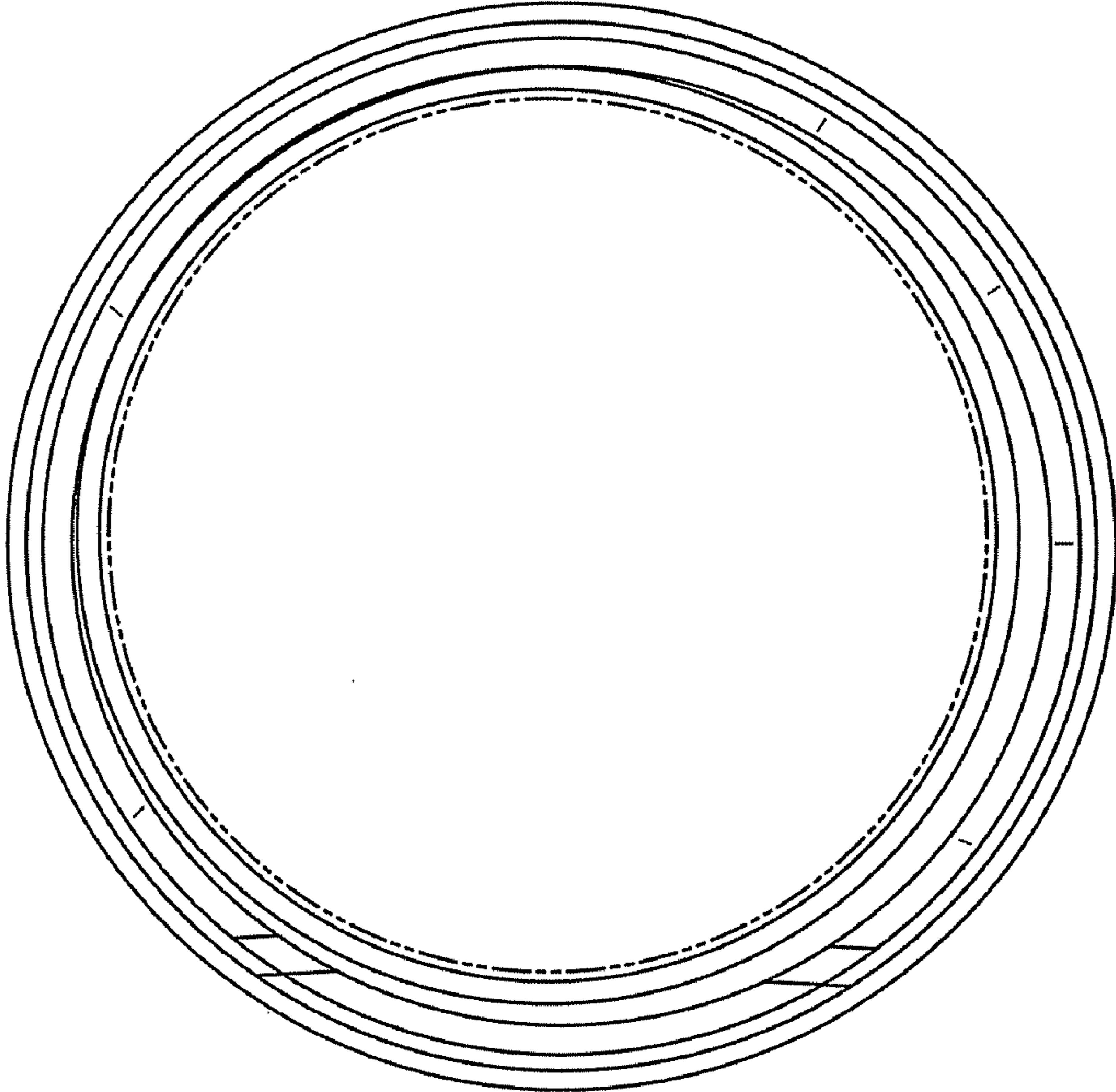


FIG.13

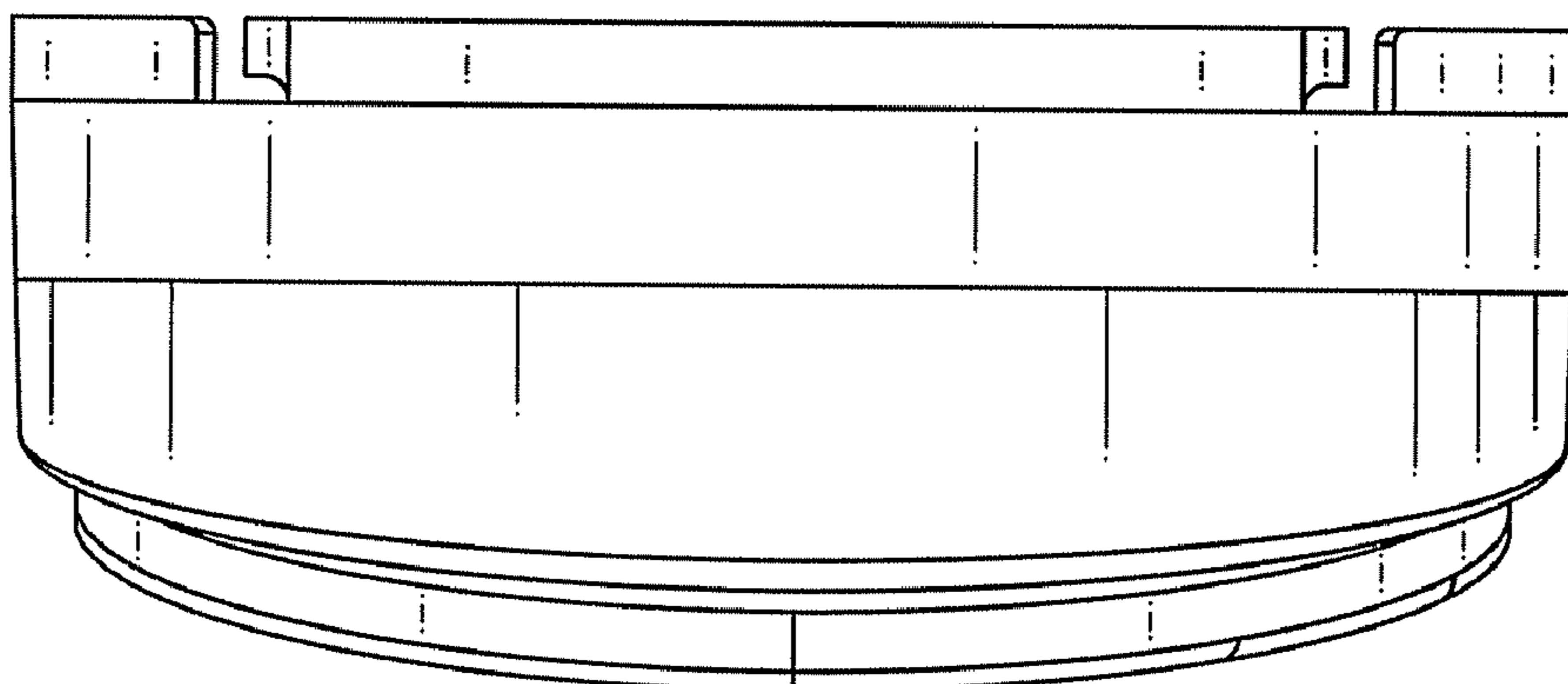


FIG. 10

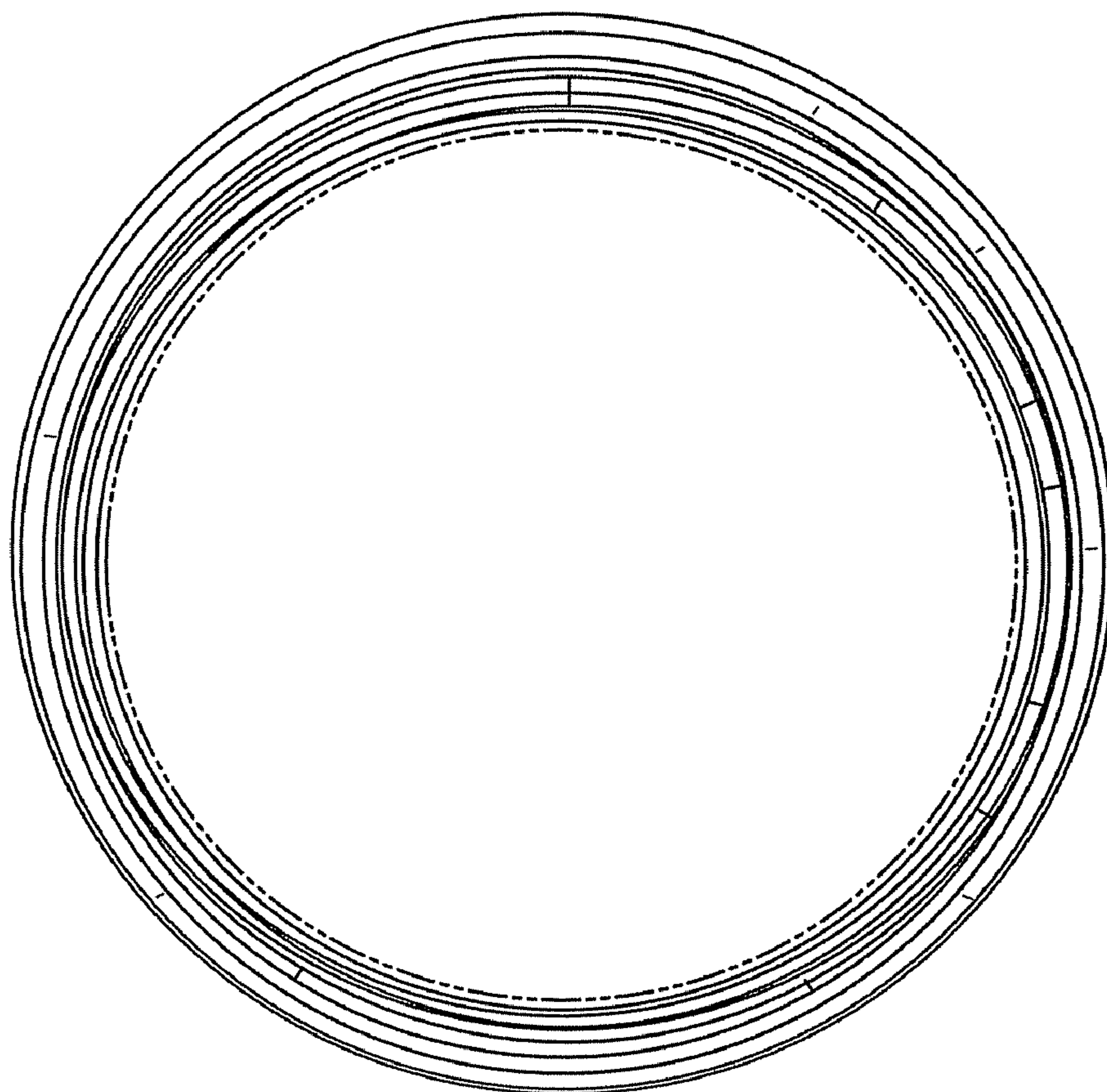


FIG. 14

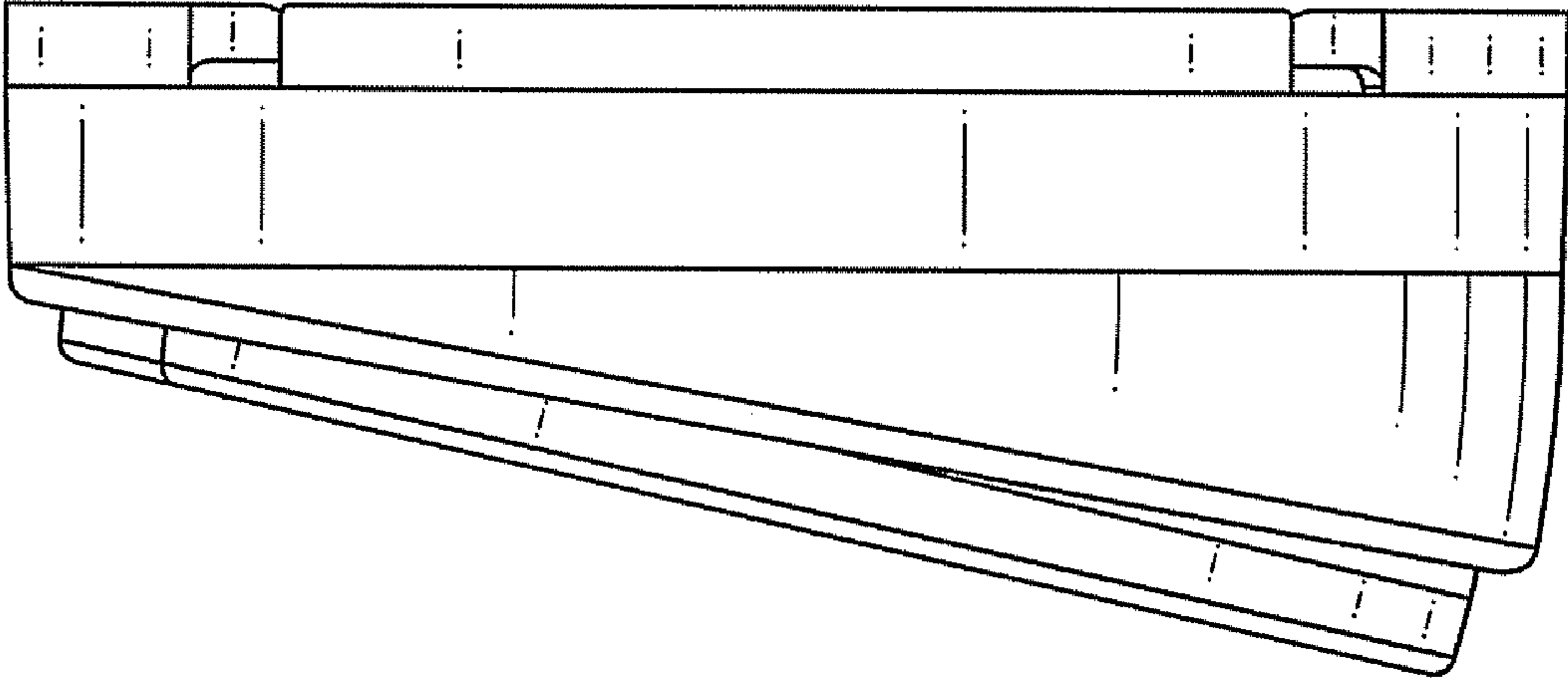


FIG. 11

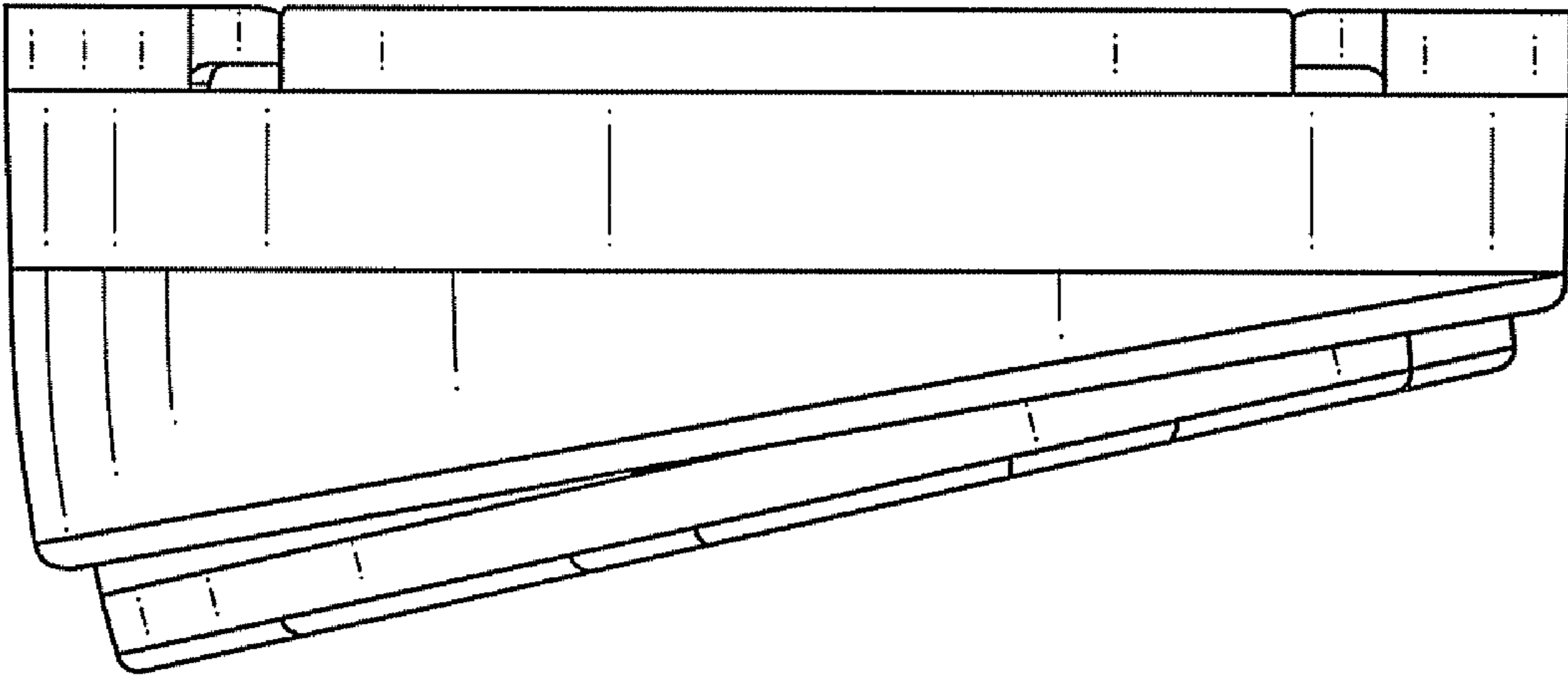


FIG. 12

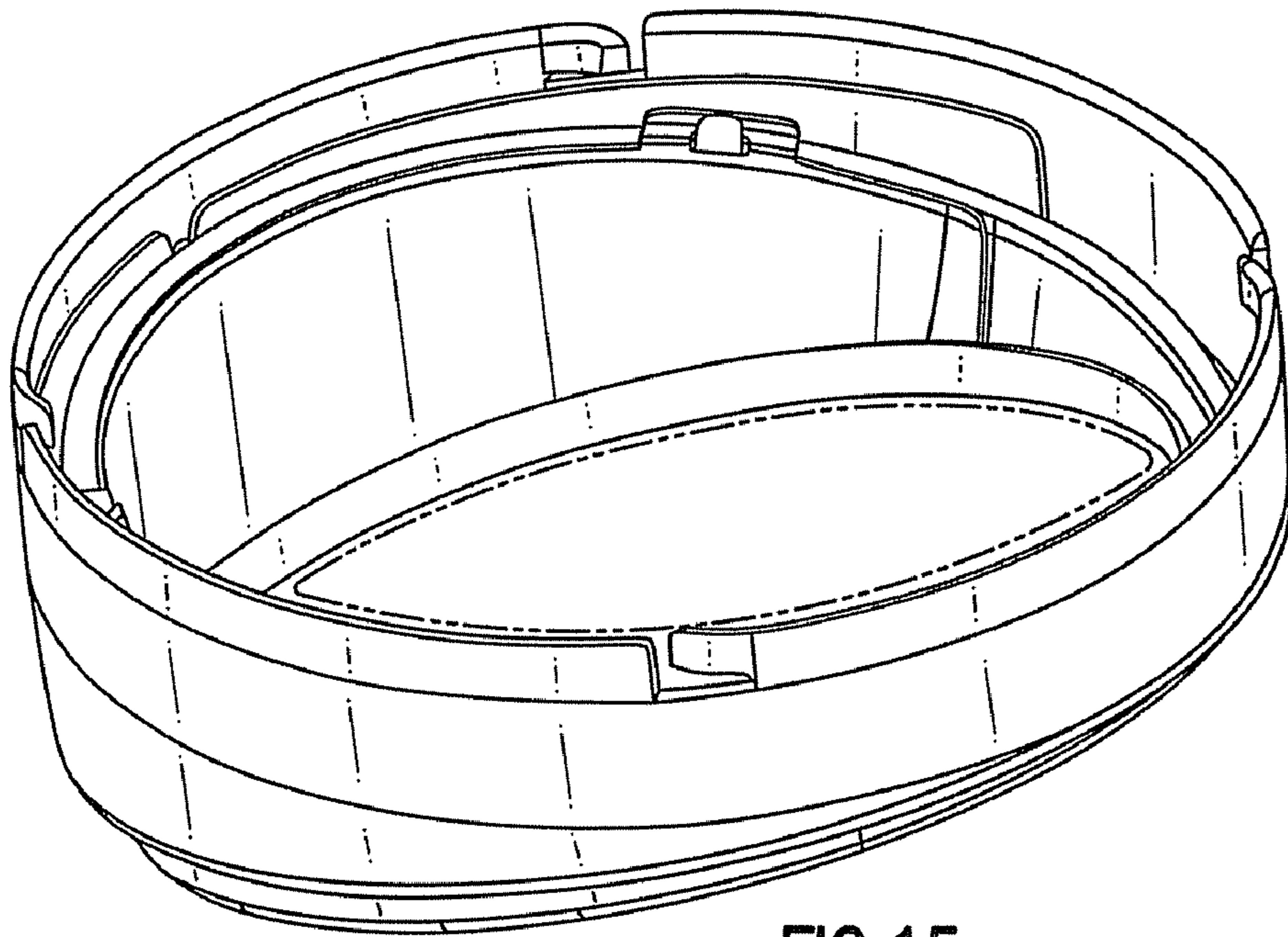


FIG. 15

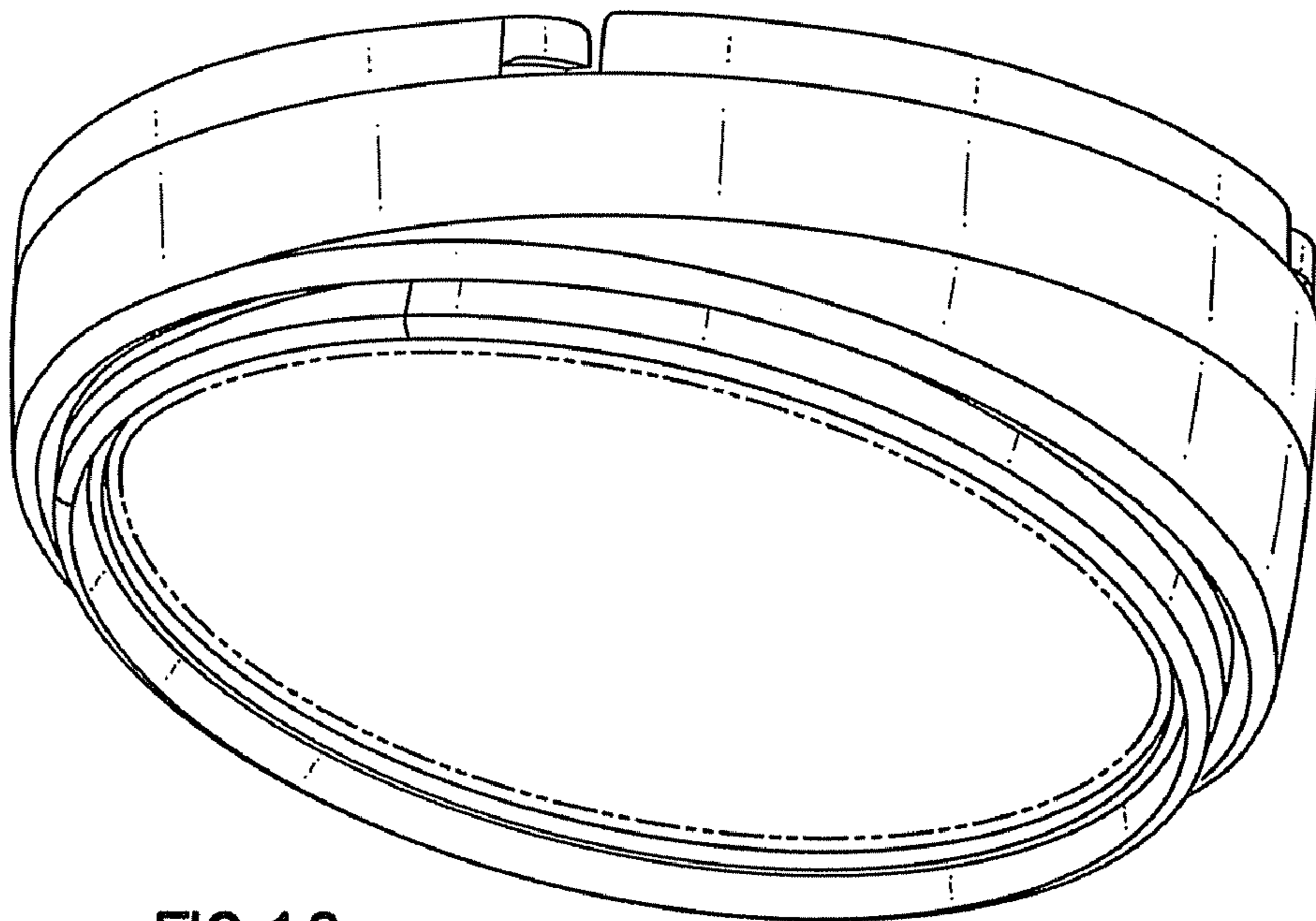


FIG. 16