



US00D587391S

(12) **United States Design Patent**
Dear

(10) **Patent No.:** **US D587,391 S**
(45) **Date of Patent:** **** Feb. 24, 2009**

(54) **BATTERY-OPERATED NOVELTY ILLUMINATING DEVICE**

D482,467 S * 11/2003 Yuen D26/26
D488,400 S * 4/2004 Devine D11/128

(76) Inventor: **David Dear**, 3 Jonathan La., West Port, CT (US) 06880

* cited by examiner

Primary Examiner—Clare E Heflin

(**) Term: **14 Years**

(74) *Attorney, Agent, or Firm*—Cascio, Schmoyer & Zervas

(21) Appl. No.: **29/294,452**

(57) **CLAIM**

(22) Filed: **Jan. 11, 2008**

The ornamental design for a battery-operated novelty illuminating device, as shown and described.

(51) **LOC (9) Cl.** **26-05**

(52) **U.S. Cl.** **D26/73**

(58) **Field of Classification Search** D26/26, D26/73; 362/806, 808; D11/136, 160; D21/630
See application file for complete search history.

DESCRIPTION

(56) **References Cited**

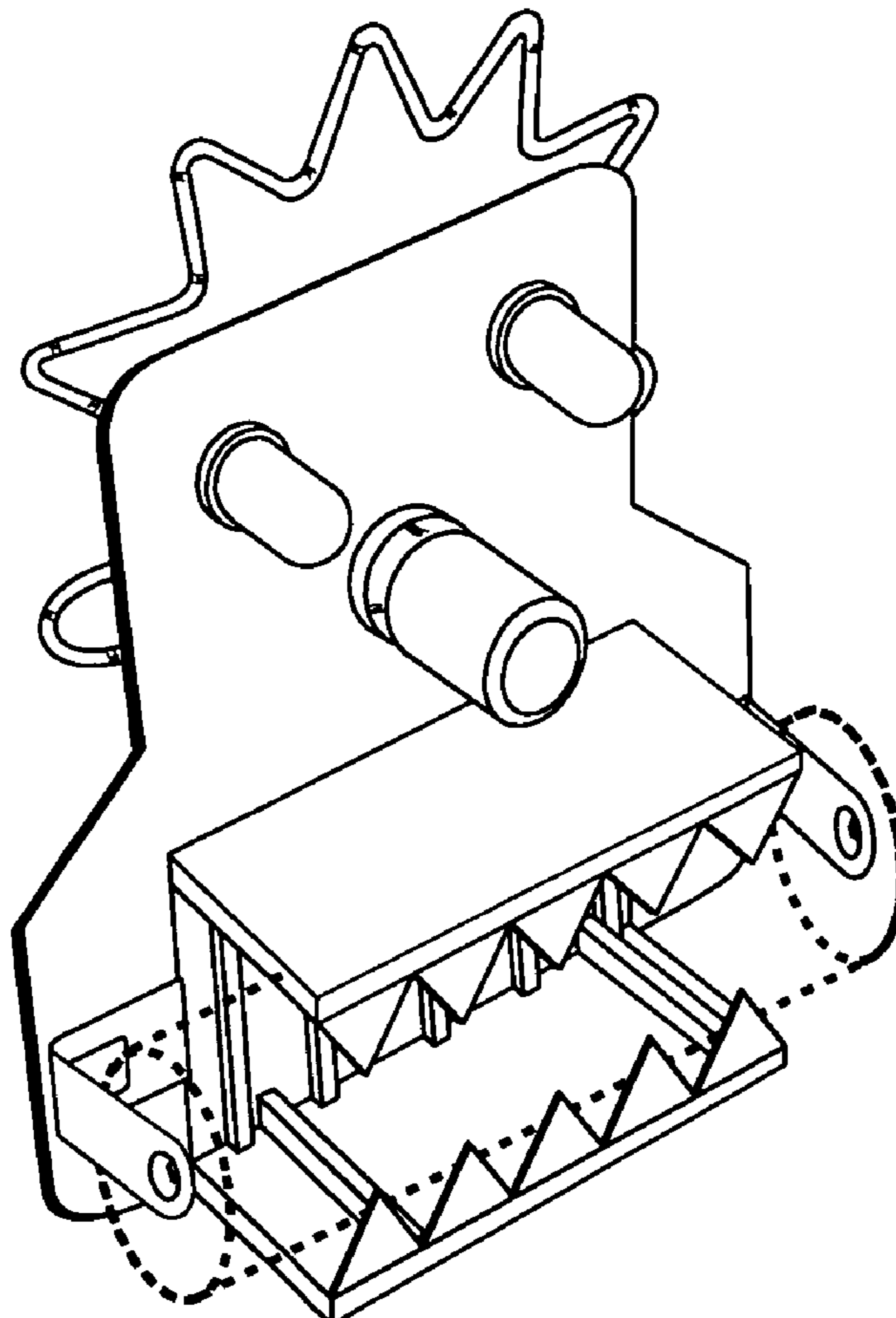
U.S. PATENT DOCUMENTS

883,865	A	*	4/1908	Dahn et al.	D26/73
D231,251	S	*	4/1974	Klassen et al.	D26/26
D235,503	S	*	6/1975	Fry	D11/160
D237,899	S	*	12/1975	Rochford et al.	D26/26
D368,536	S	*	4/1996	Fang	D26/26
D425,638	S	*	5/2000	Yuen	D26/26
D467,381	S	*	12/2002	Kovacs	D26/26
D479,754	S	*	9/2003	Yuen	D26/26

FIG. 1 is a front elevational view showing the battery-operated novelty illuminating device,
FIG. 2 is a rear elevational view thereof,
FIG. 3 is a top plan view thereof,
FIG. 4 is a bottom plan view thereof,
FIG. 5 is a front perspective view thereof; and,
FIG. 6 is a side elevational view thereof, the side opposite being substantially a mirror image.

The broken lines showing the placement of a battery are for illustrative purposes and form no part of the claimed design.

1 Claim, 2 Drawing Sheets



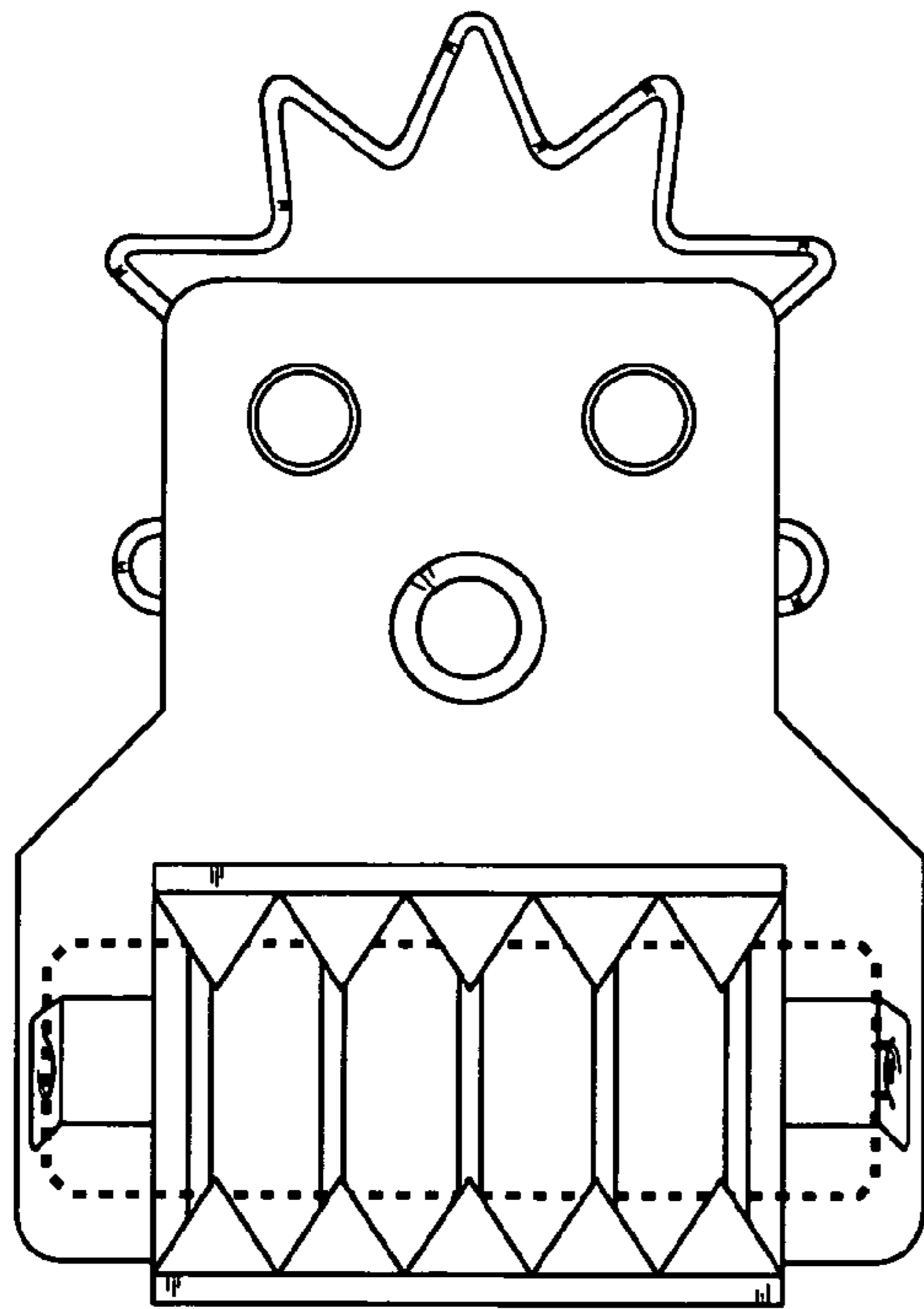


FIG. 1

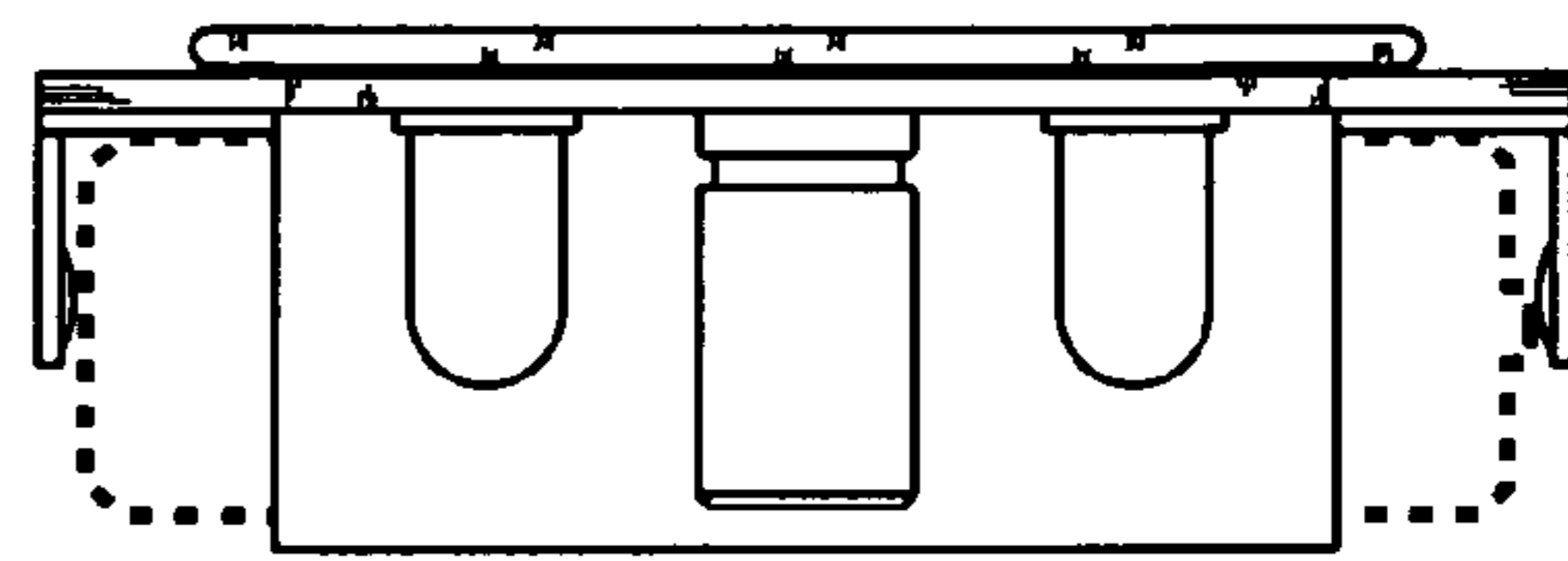


FIG. 3

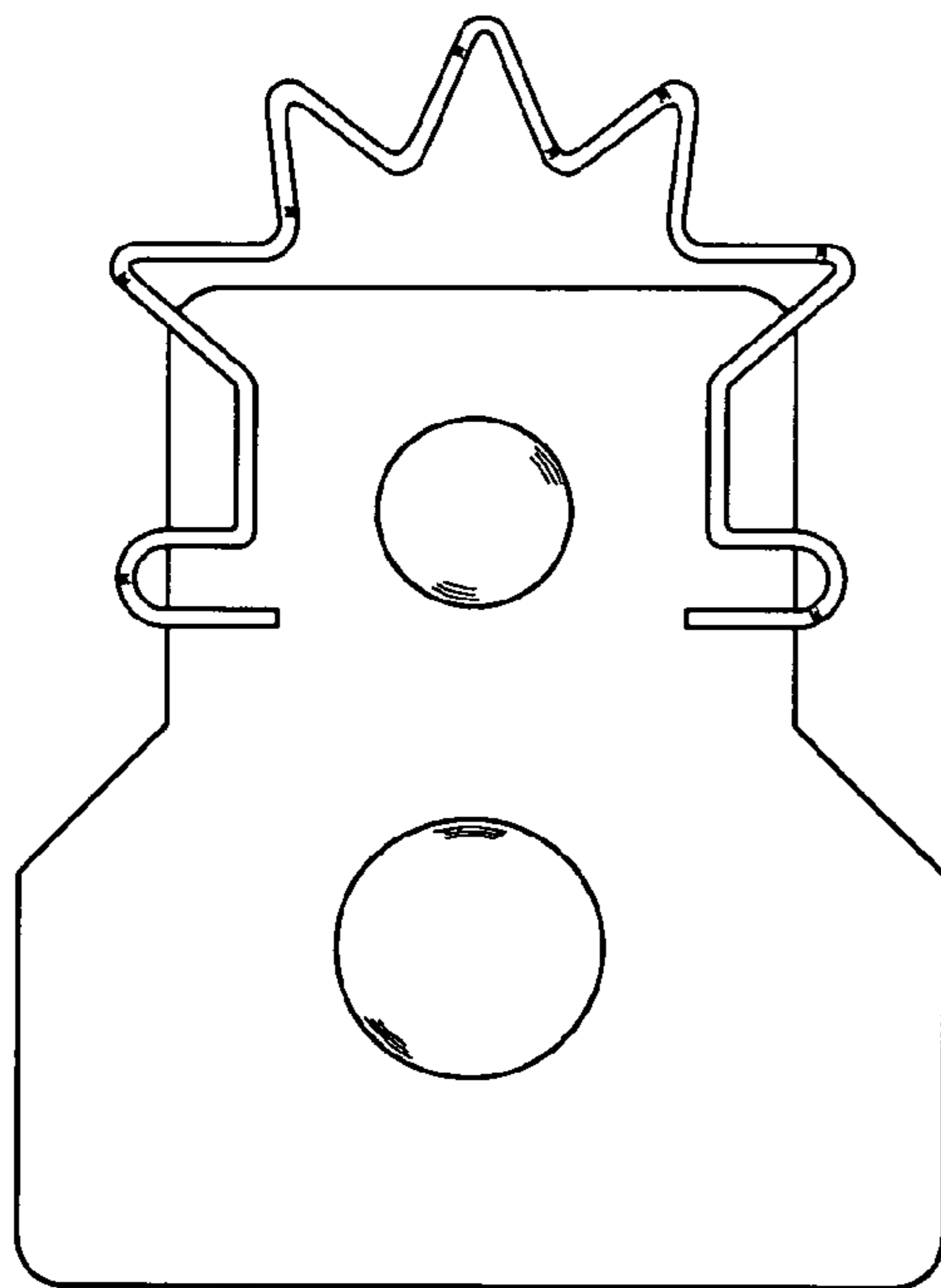


FIG. 2

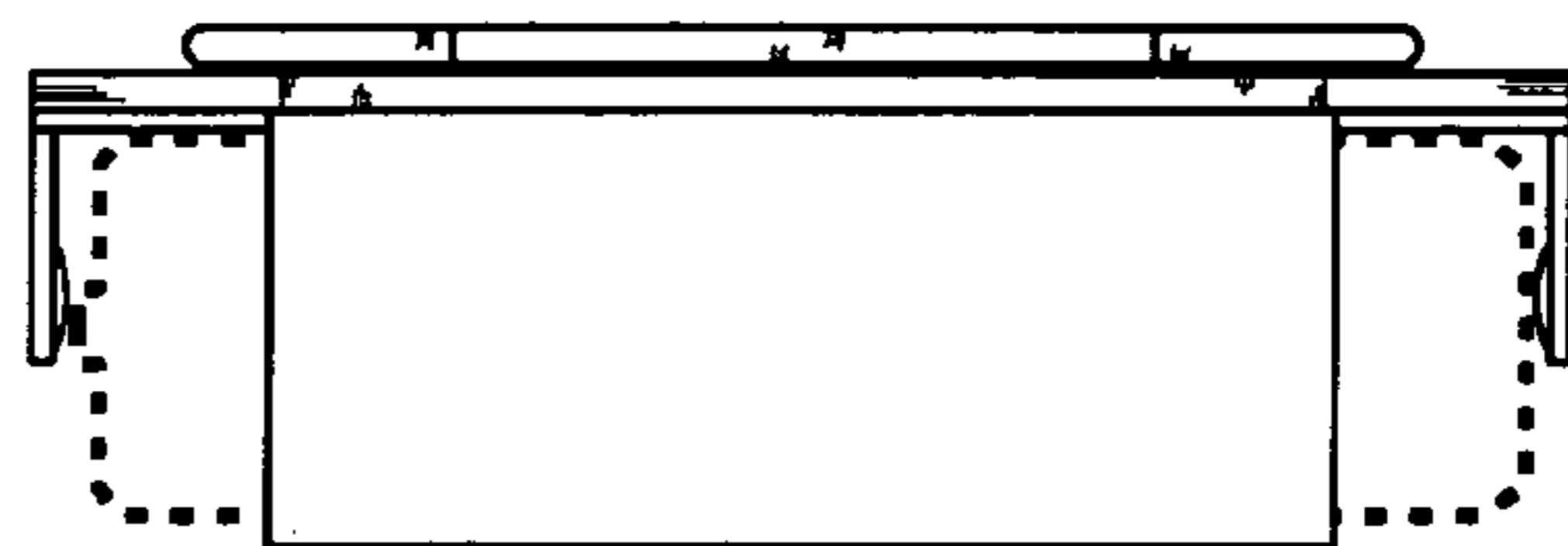


FIG. 4

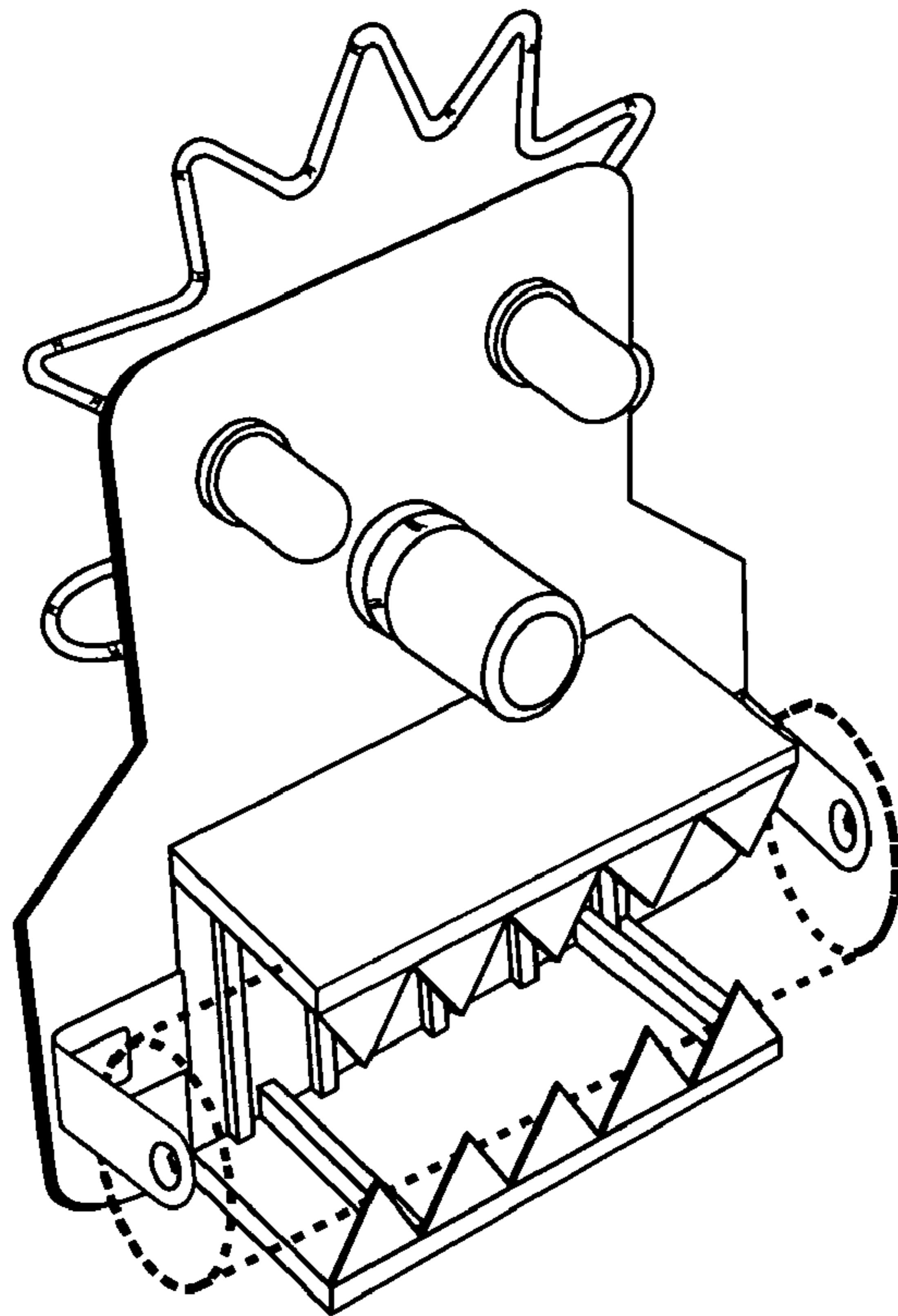


FIG. 5

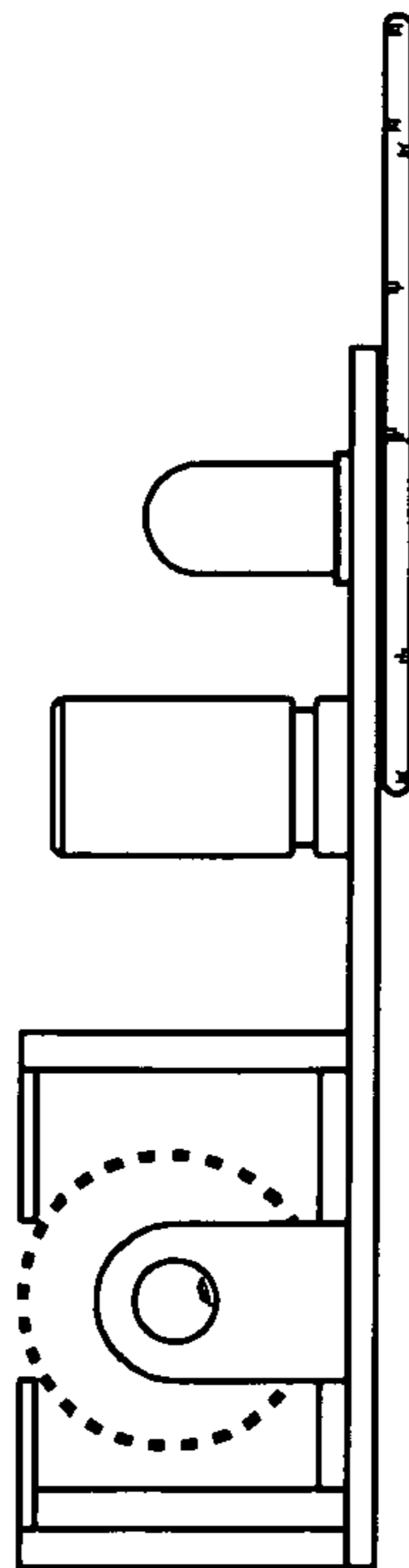


FIG. 6