



US00D587390S

(12) **United States Design Patent**  
**Garner et al.**

(10) **Patent No.:** **US D587,390 S**

(45) **Date of Patent:** **\*\* Feb. 24, 2009**

(54) **RAIL LIGHT**

(75) Inventors: **Mike Garner**, North Barrington, IL (US); **Scott Harold Wilson**, Chicago, IL (US); **Giles David Matthew McWilliam**, Chicago, IL (US); **Marc Rene Walliser**, Chicago, IL (US)

(73) Assignee: **Light Corporation**, Grand Haven, MI (US)

(\*\*) Term: **14 Years**

(21) Appl. No.: **29/280,932**

(22) Filed: **Jun. 9, 2007**

(51) **LOC (9) Cl.** ..... **26-05**

(52) **U.S. Cl.** ..... **D26/66**

(58) **Field of Classification Search** ..... D26/24, D26/37, 43, 44, 51, 56, 60-66, 71, 72, 80-93, D26/107, 113, 118, 138, 142; 362/410, 413, 362/414, 419, 427, 285, 287, 282, 277, 275, 362/274, 271, 270, 269, 431, 401, 402, 251, 362/147, 432, 362, 155-157, 648, 250, 283; D13/110, 133, 139.2; D16/135; D10/106  
See application file for complete search history.

(56) **References Cited**

**U.S. PATENT DOCUMENTS**

4,121,397 A \* 10/1978 Marcocci et al. .... 52/286  
D283,255 S \* 4/1986 Ikeda ..... D26/93  
D299,069 S \* 12/1988 Risi et al. .... D25/157  
D397,270 S \* 8/1998 Maalouf ..... D6/601

D405,554 S \* 2/1999 Klaus ..... D26/63  
6,557,197 B1 \* 5/2003 Graham ..... 5/630  
D501,933 S \* 2/2005 Dinter ..... D25/113  
6,932,495 B2 \* 8/2005 Sloan et al. .... 362/294  
D565,771 S \* 4/2008 Garner et al. .... D26/62  
D569,529 S \* 5/2008 Uemoto et al. .... D26/24  
D572,388 S \* 7/2008 Uemoto et al. .... D26/24

**OTHER PUBLICATIONS**

Sprout product line, [online], [retrieved on Aug. 19, 2008]. Retrieved from Internet, <URL: <http://www.lightcorp.com>>□□.\*

\* cited by examiner

*Primary Examiner*—Cathron C Brooks

*Assistant Examiner*—Barbara Fox

(74) *Attorney, Agent, or Firm*—Warner Norcross & Judd LLP

(57) **CLAIM**

The ornamental design for a rail light, as shown and described.

**DESCRIPTION**

FIG. 1 is a perspective view of the rail light embodying the new design;

FIG. 2 is a right side view, the left side being a mirror image thereof;

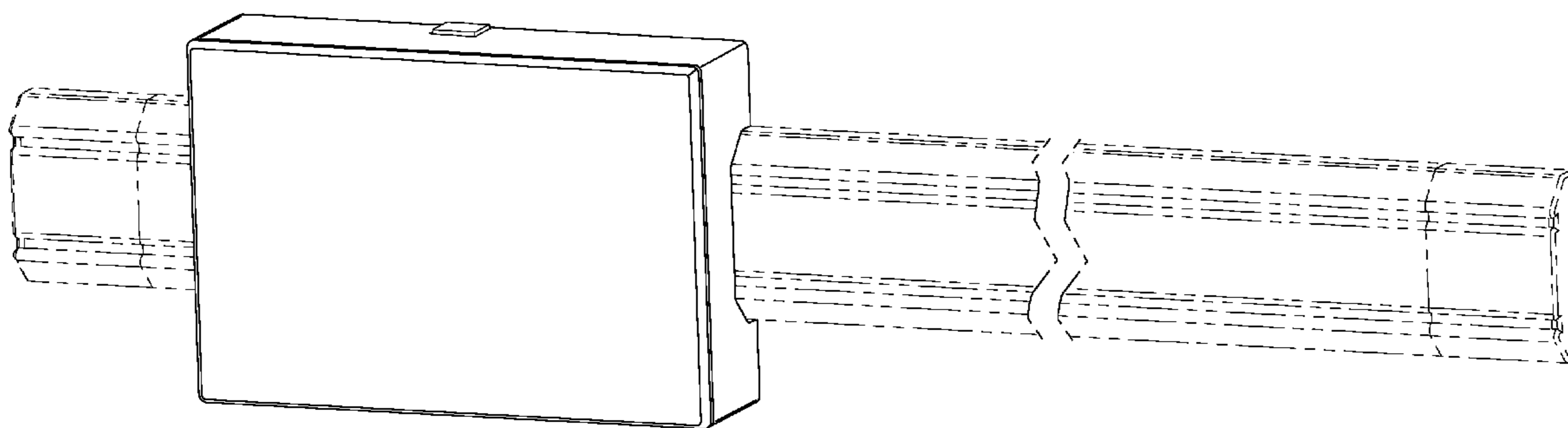
FIG. 3 is a front view thereof;

FIG. 4 is a rear view thereof;

FIG. 5 is a top view thereof; and,

FIG. 6 is a bottom view thereof.

**1 Claim, 4 Drawing Sheets**



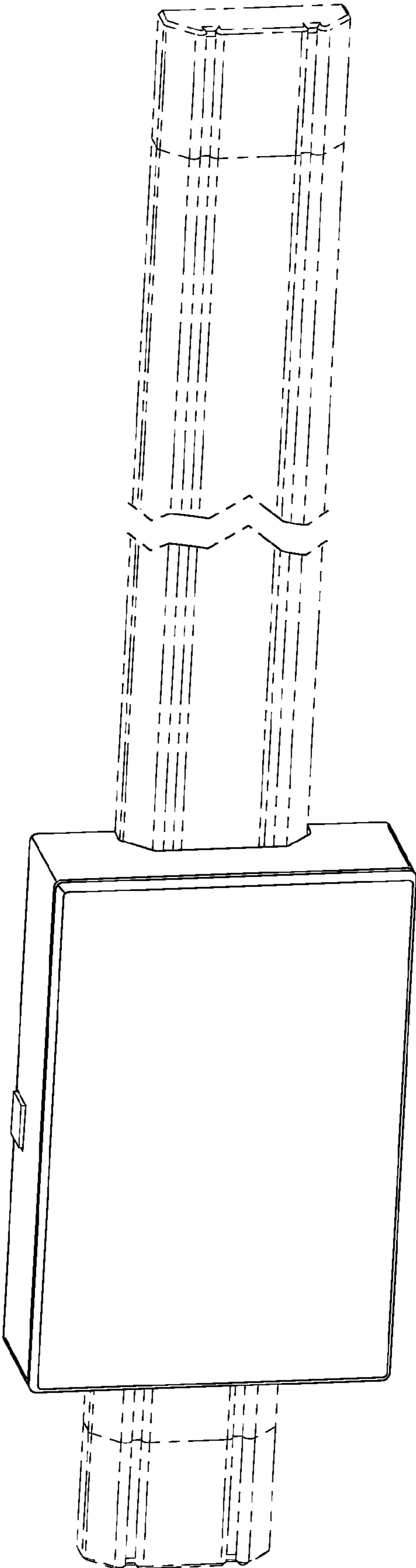


Fig. 1

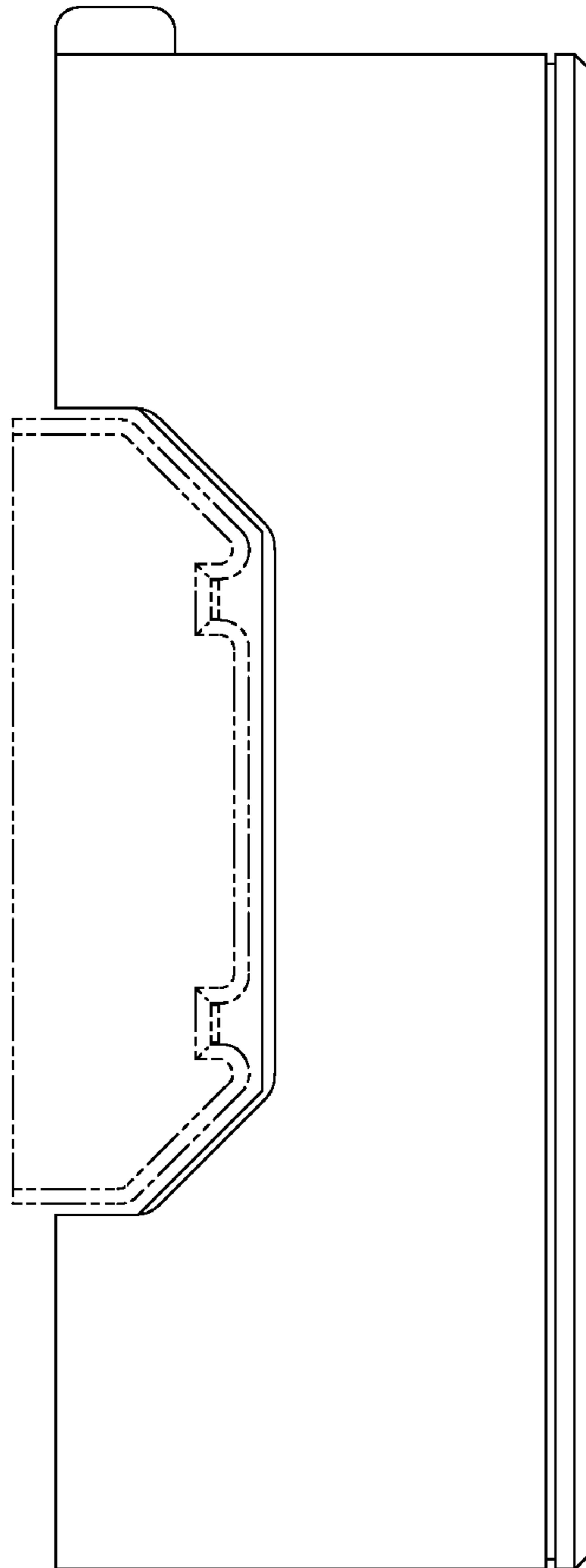


Fig. 2

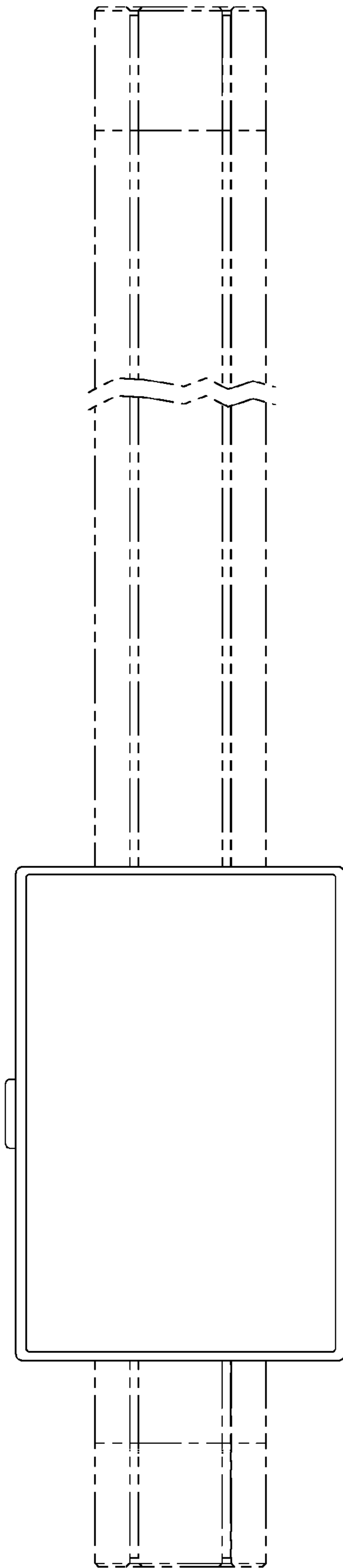


Fig. 3

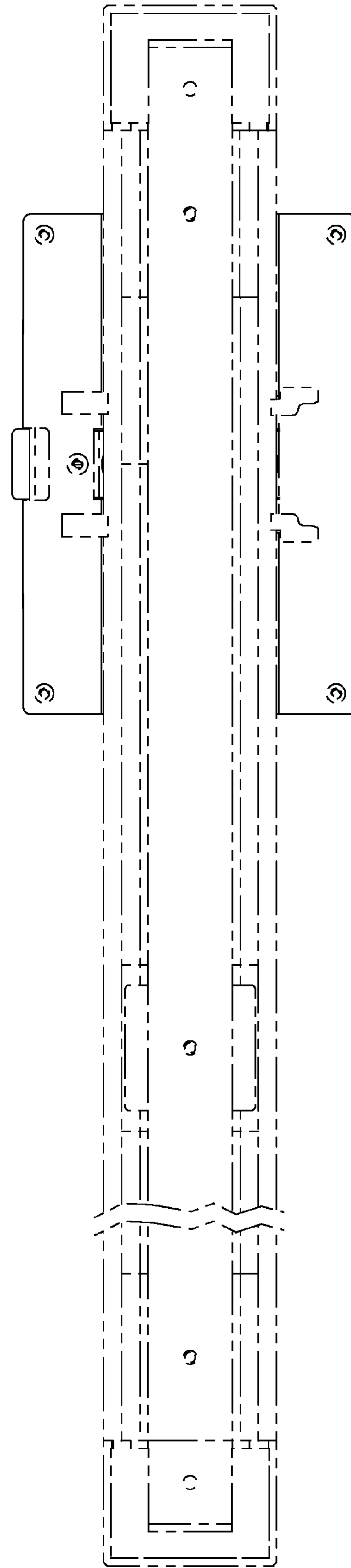


Fig. 4

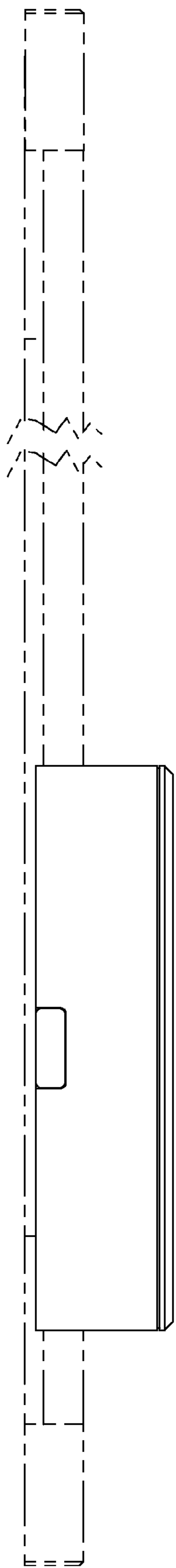


Fig. 5

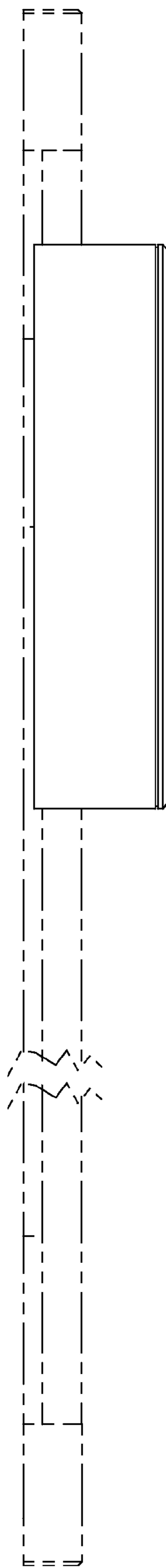


Fig. 6