



US00D587389S

(12) **United States Design Patent**
Benensohn

(10) **Patent No.:** **US D587,389 S**

(45) **Date of Patent:** **** Feb. 24, 2009**

(54) **UNDERCABINET LIGHTING FIXTURE WITH POSITIONABLE HEAD**

D501,947 S * 2/2005 Haugaard et al. D26/71
D550,388 S * 9/2007 Binsukor D26/67

(76) Inventor: **Sanford H. Benensohn**, 28310 Avenue Crocker, Suite B, Valencia, CA (US) 91355

* cited by examiner

Primary Examiner—Cathron C Brooks

Assistant Examiner—Barbara Fox

(74) *Attorney, Agent, or Firm*—Michael A. Painter

(**) Term: **14 Years**

(21) Appl. No.: **29/307,898**

(57) **CLAIM**

(22) Filed: **May 20, 2008**

The ornamental design for an undercabinet lighting fixture with positionable head, as described and shown.

(51) **LOC (9) Cl.** **26-05**

DESCRIPTION

(52) **U.S. Cl.** **D26/63**

(58) **Field of Classification Search** D26/24, D26/37, 43, 44, 51, 56, 60–66, 71, 72, 85–93, D26/107, 113, 118, 138, 142; 362/410, 413, 362/414, 419, 427, 285, 287, 282, 277, 275, 362/274, 271, 270, 269, 431, 401, 402, 251, 362/147, 432, 362, 155–157; D13/110, 133, D13/139.2; D16/135; D10/106

FIG. 1 is a front perspective view of an undercabinet lighting fixture with positionable head illustrating my new design;

FIG. 2 is a front elevation view thereof;

FIG. 3 is a right side elevation view thereof, the left side elevation view being a mirror image thereof;

FIG. 4 is a rear elevation view thereof;

FIG. 5 is a top plan view; and,

FIG. 6 is a bottom plan.

See application file for complete search history.

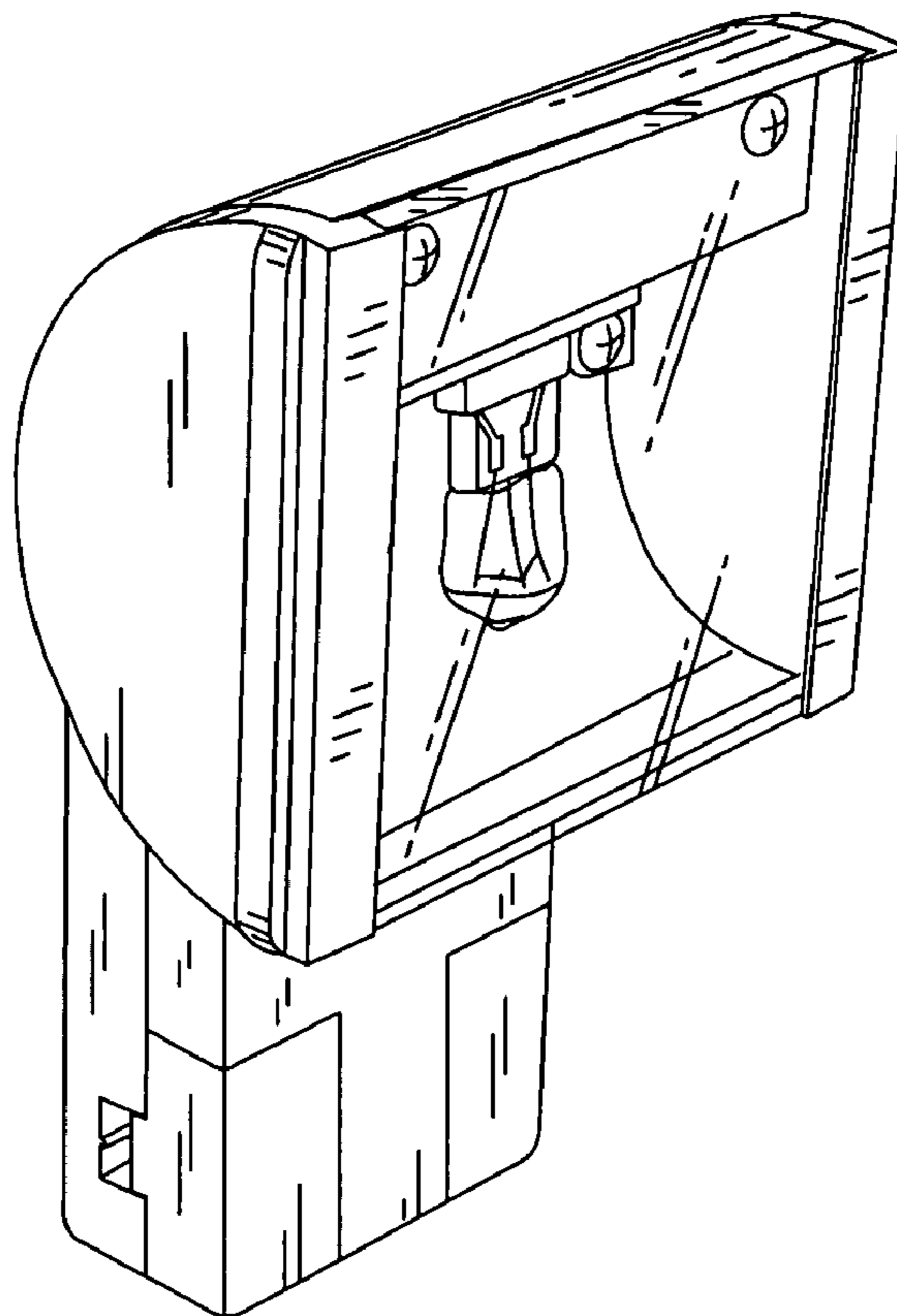
The broken lines shown in the drawings are for the purpose of illustrating unclaimed portions of the undercabinet lighting fixture with positionable head and form no part of the claimed design.

(56) **References Cited**

U.S. PATENT DOCUMENTS

D174,289 S * 3/1955 Mell D26/44
D308,260 S * 5/1990 Shemitz D26/85
D329,104 S * 9/1992 Dieperink D26/87
D501,944 S * 2/2005 Friedman et al. D26/71

1 Claim, 2 Drawing Sheets



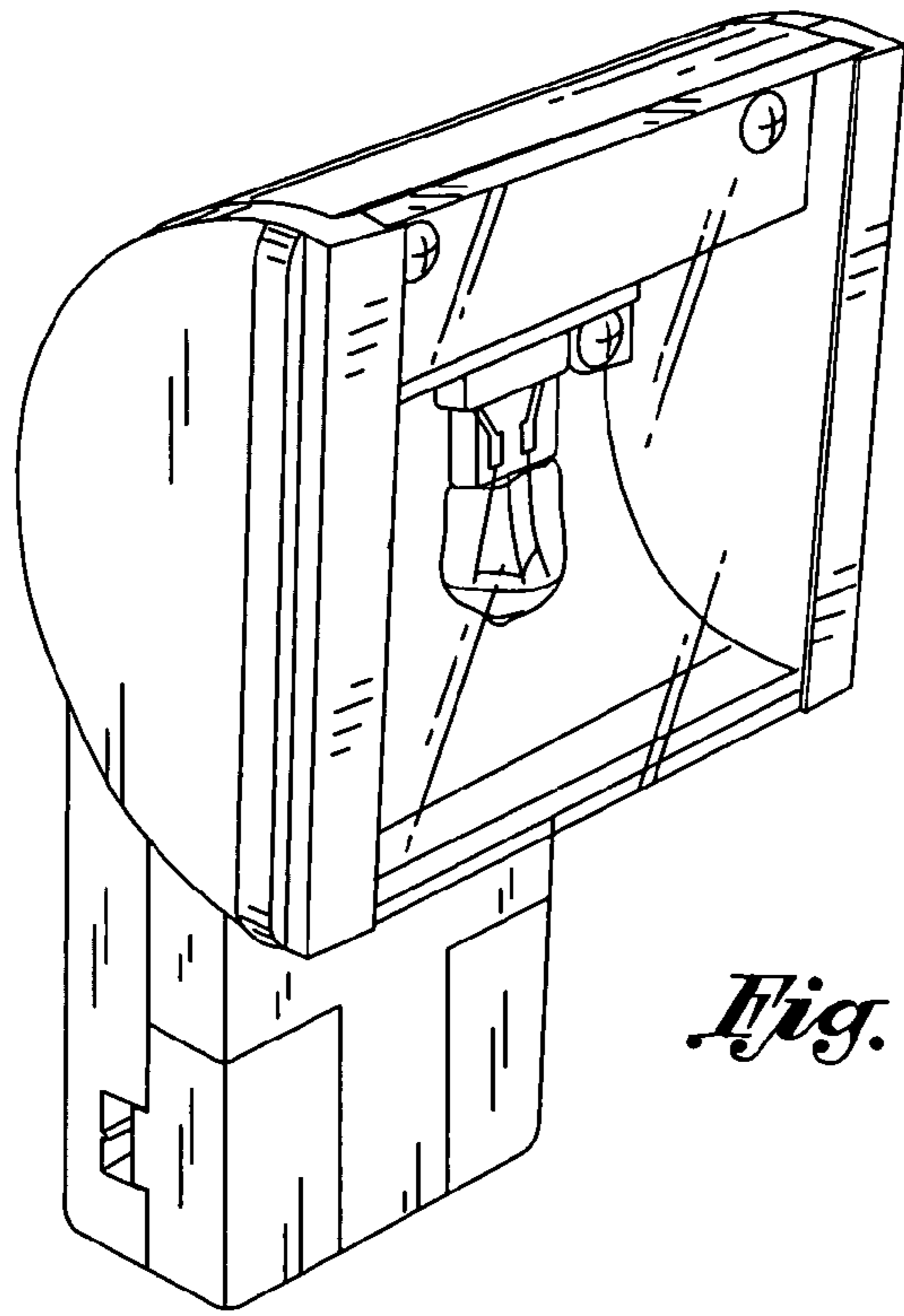


Fig. 1

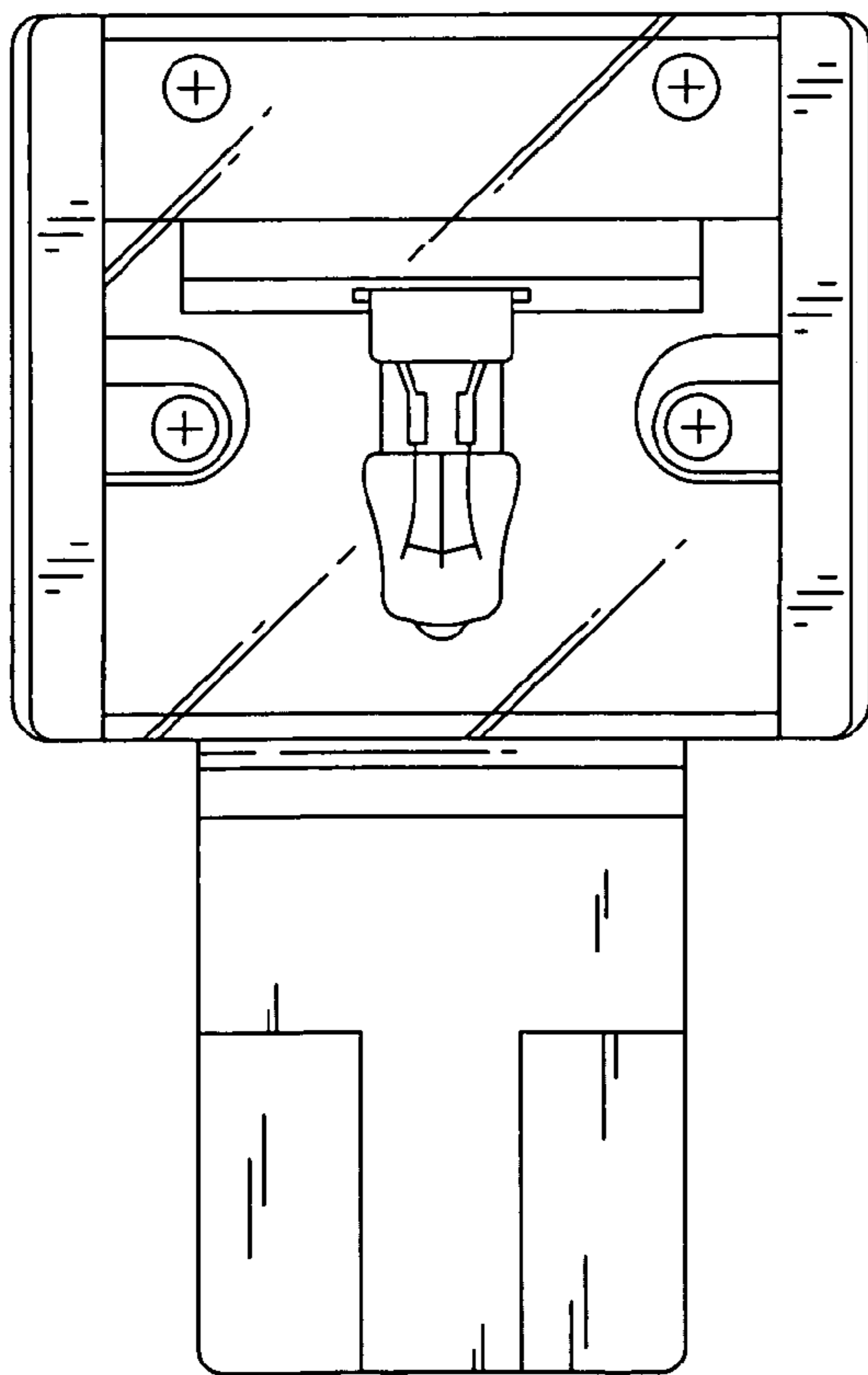


Fig. 2

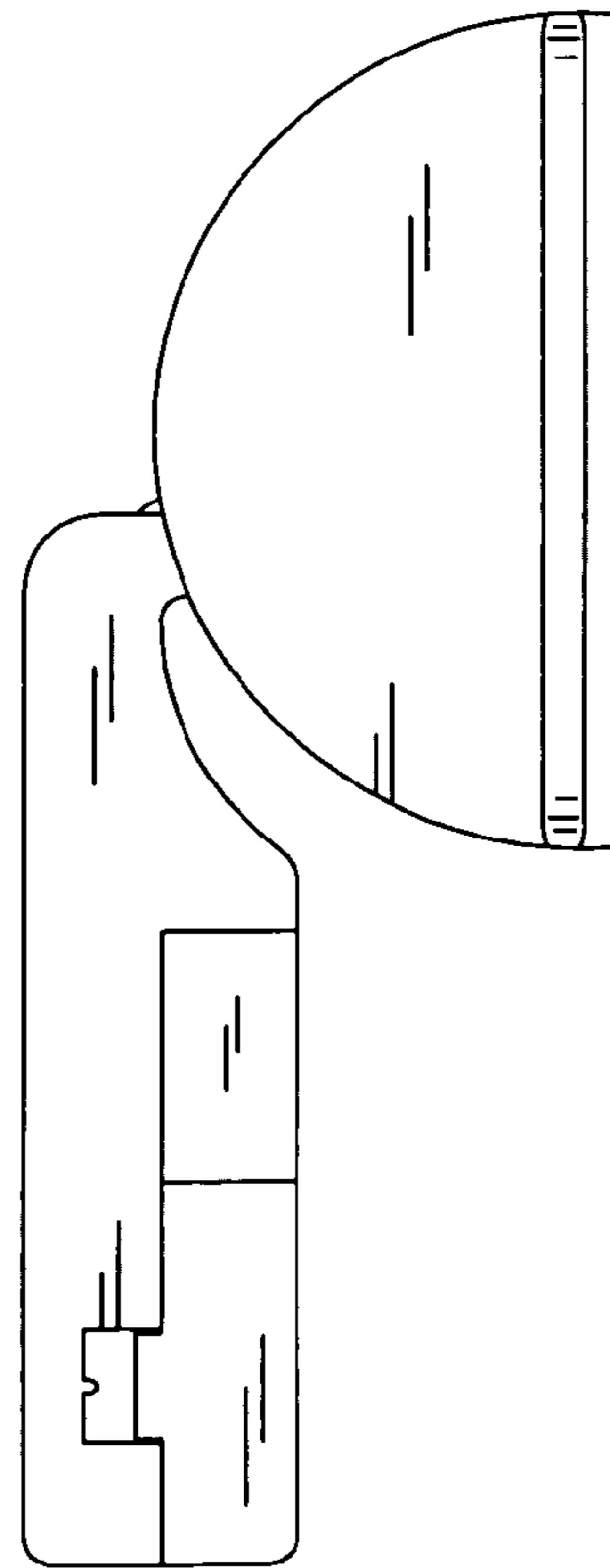


Fig. 3

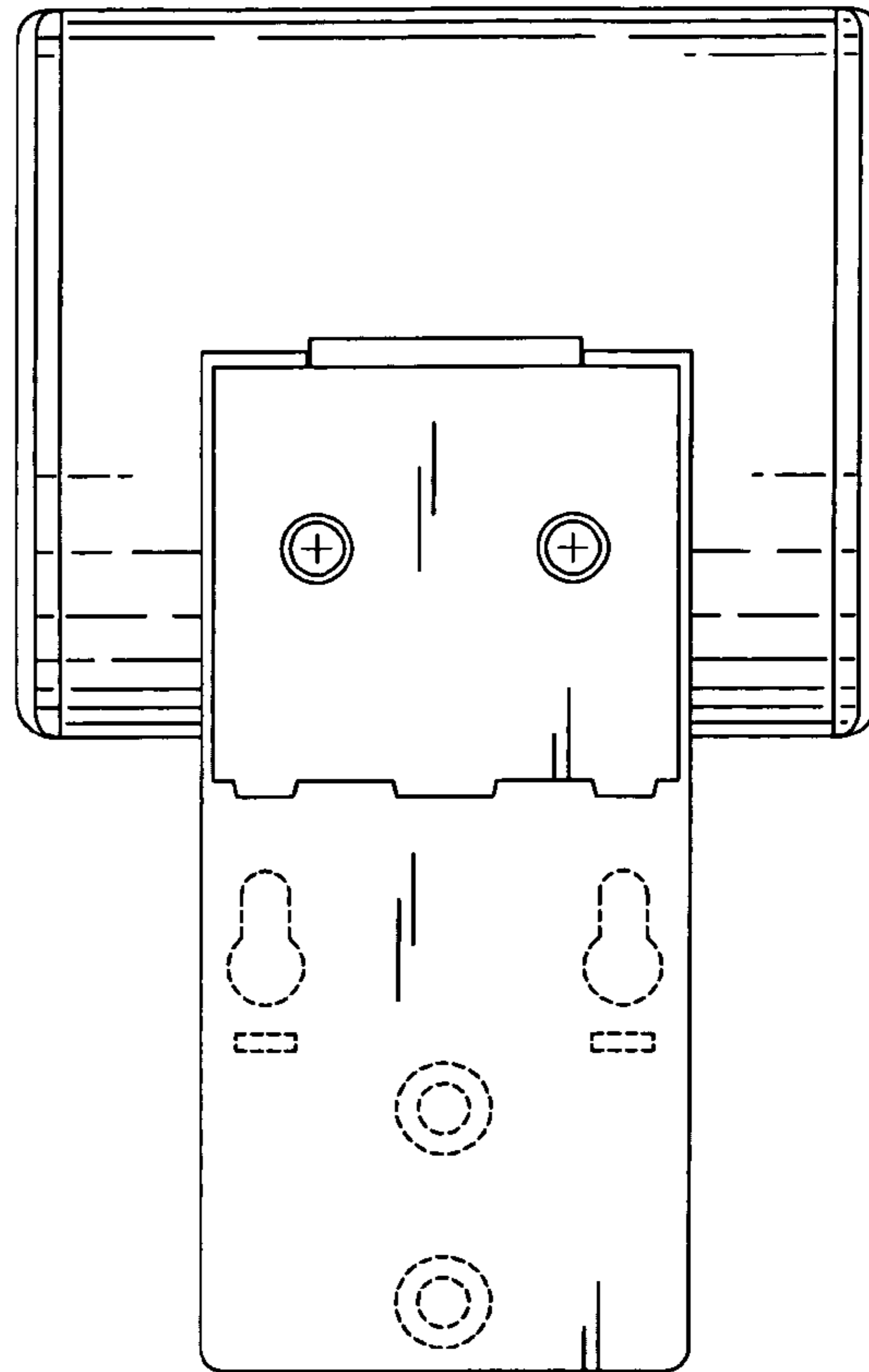


Fig. 4

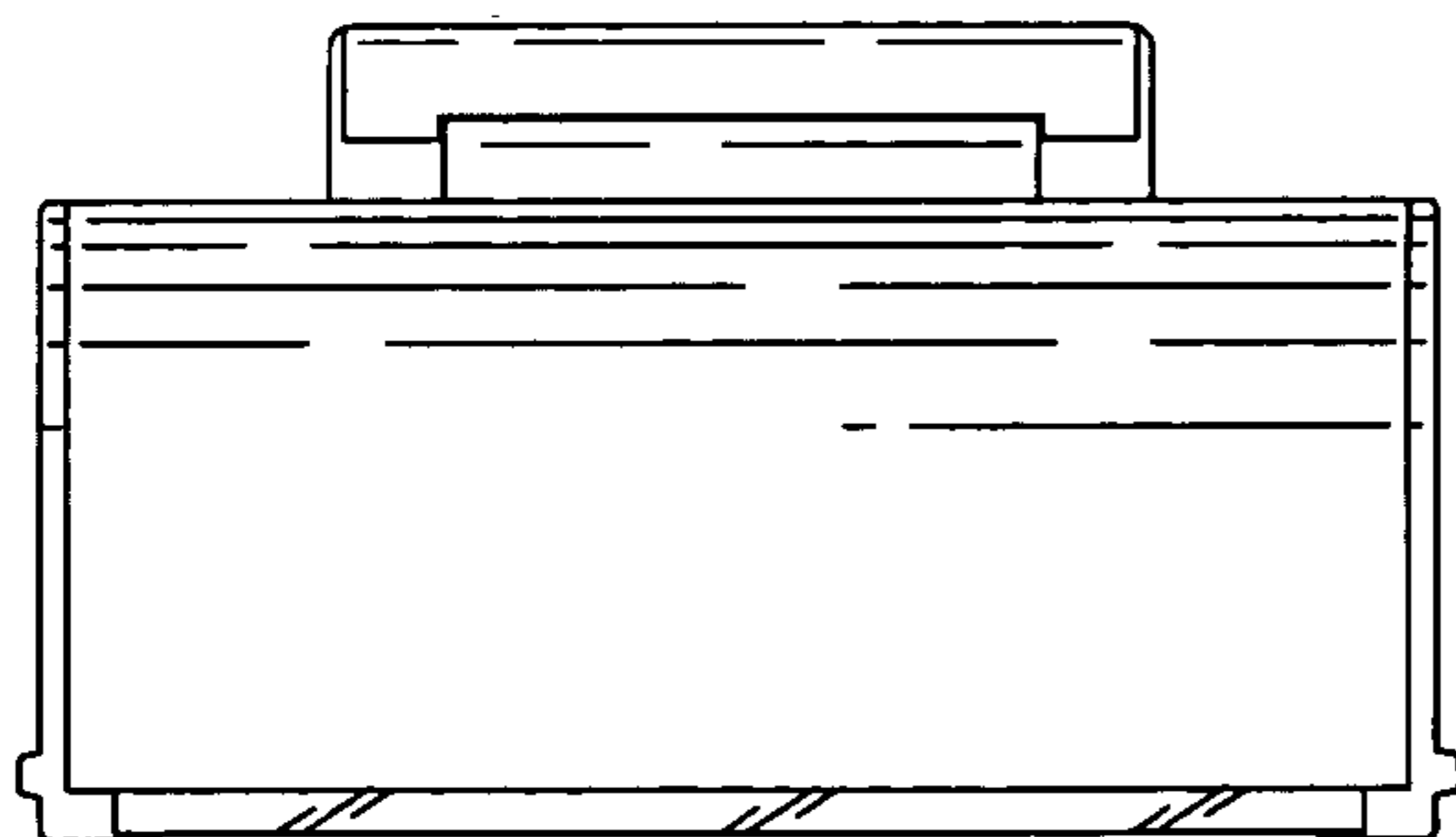


Fig. 5

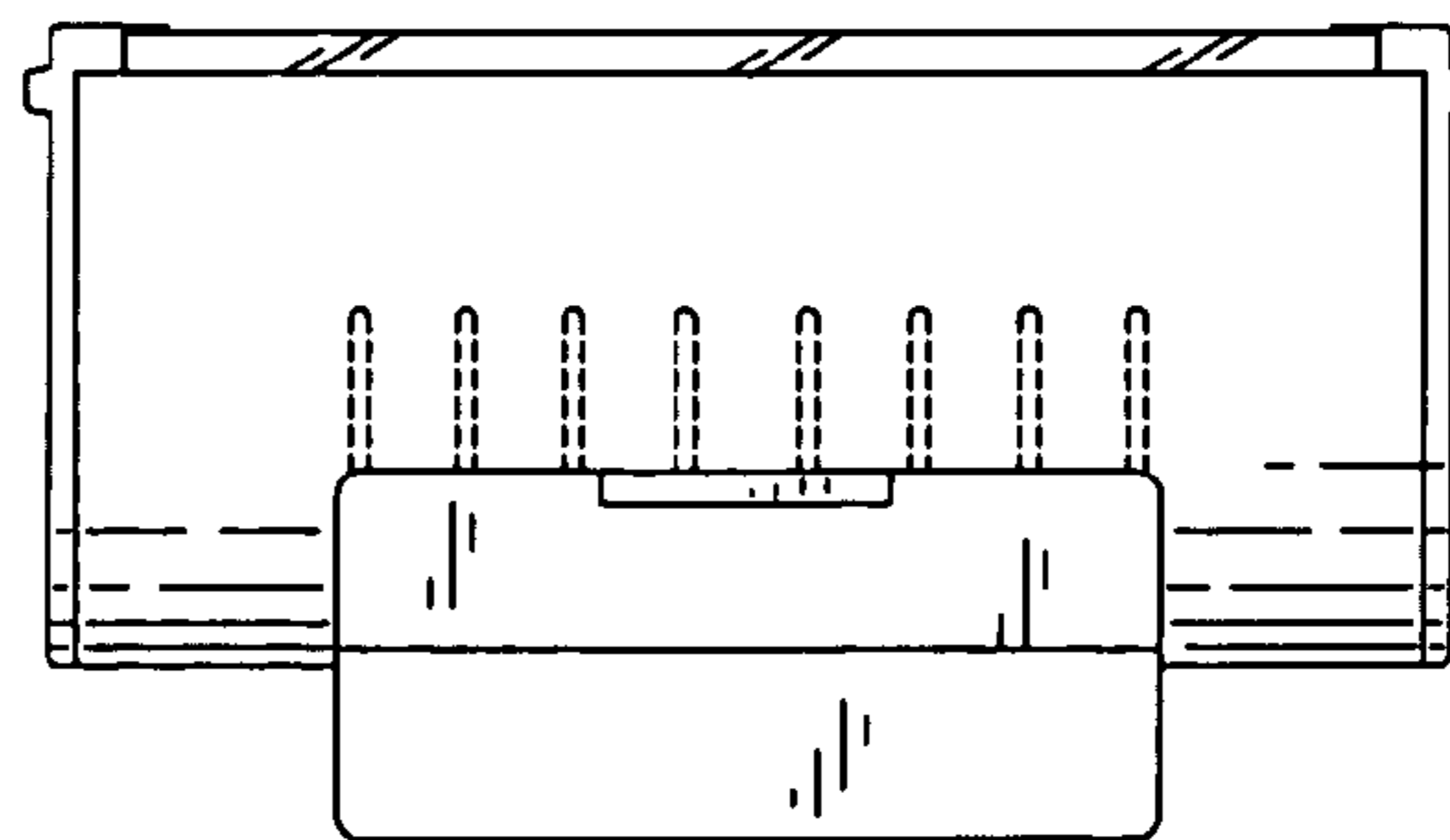


Fig. 6