



US00D587388S

(12) **United States Design Patent**
Pan

(10) **Patent No.:** **US D587,388 S**

(45) **Date of Patent:** **** *Feb. 24, 2009**

(54) **CEILING FAN LIGHT FIXTURE**

(75) Inventor: **Peter Pan**, Shetzu (CN)

(73) Assignee: **Air Cool Industrial Co., Ltd.** (TW)

(*) Notice: This patent is subject to a terminal disclaimer.

(**) Term: **14 Years**

(21) Appl. No.: **29/190,839**

(22) Filed: **Sep. 26, 2003**

(51) **LOC (9) Cl.** **26-05**

(52) **U.S. Cl.** **D26/59; D26/87; D26/92**

(58) **Field of Classification Search** D26/67,
D26/68, 71, 72, 80-82, 85-87, 92, 118, 121,
D26/128-134, 107, 137, 138, 145-147, 155,
D26/156, 84, 51, 59; D23/377; 362/147,
362/153, 153.1, 370, 404-408, 431, 432
See application file for complete search history.

(56) **References Cited**

U.S. PATENT DOCUMENTS

D63,547 S * 12/1923 Wolter D26/87
D73,156 S * 8/1927 Bardwell D26/87

D150,250 S * 7/1948 Paxton D26/87
D263,631 S * 3/1982 Nelson D26/84
D446,851 S * 8/2001 Lee D23/411
D490,888 S * 6/2004 Tai D23/377

* cited by examiner

Primary Examiner—Clare E Heflin

(74) *Attorney, Agent, or Firm*—Parsons & Goltry; Michael W. Goltry; Robert A. Parsons

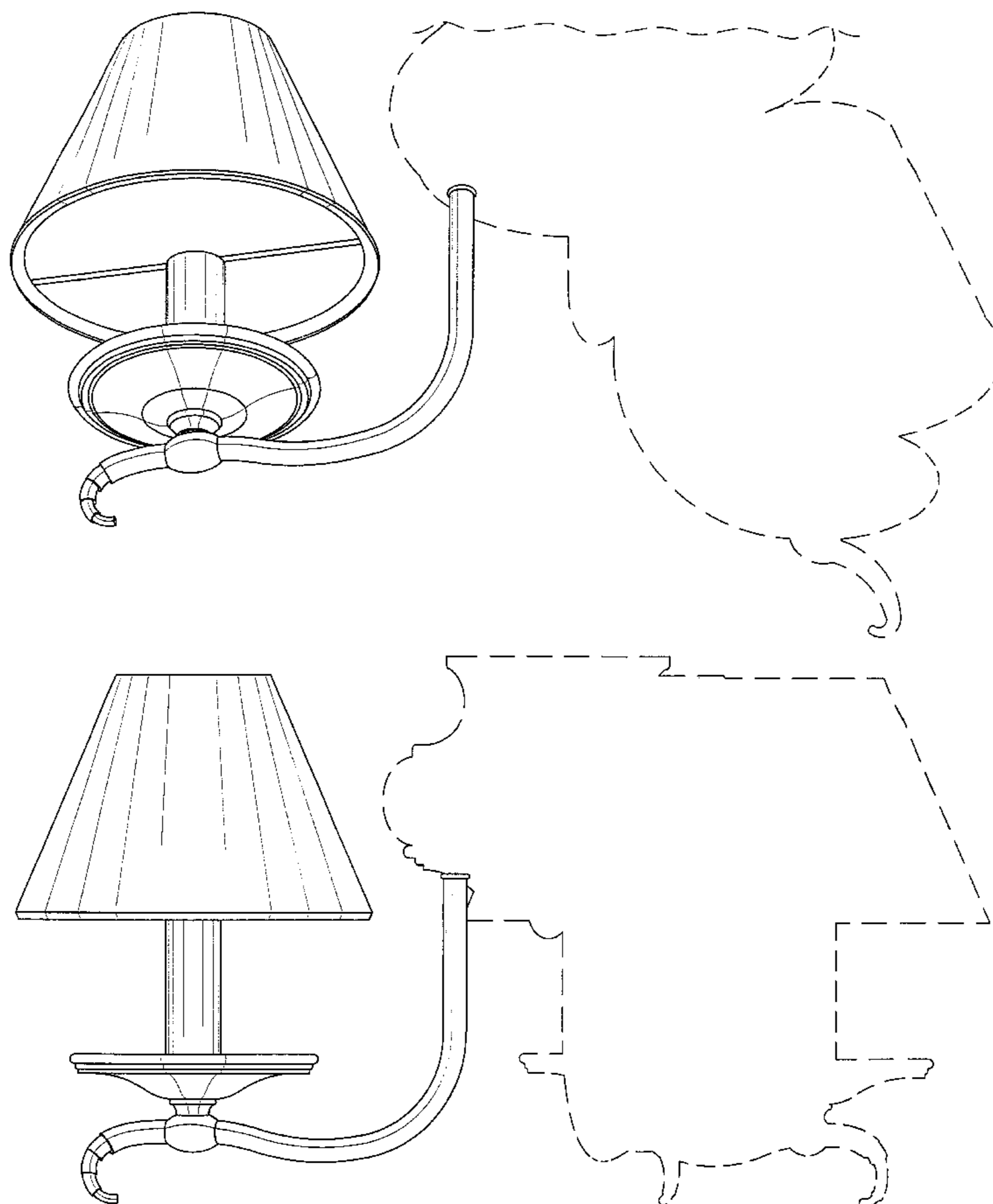
(57) **CLAIM**

The ornamental design for a ceiling fan light fixture, as shown and described.

DESCRIPTION

FIG. 1 is a bottom perspective view of a ceiling fan light fixture showing my new design;
FIG. 2 is a left side elevational view thereof, the opposing right side elevational view being substantially the same thereof;
FIG. 3 is a top plan view thereof; and,
FIG. 4 is a bottom plan view thereof.
The broken lines in the views show environmental features, which are for illustrative purposes only and form no part of the claimed design.

1 Claim, 4 Drawing Sheets



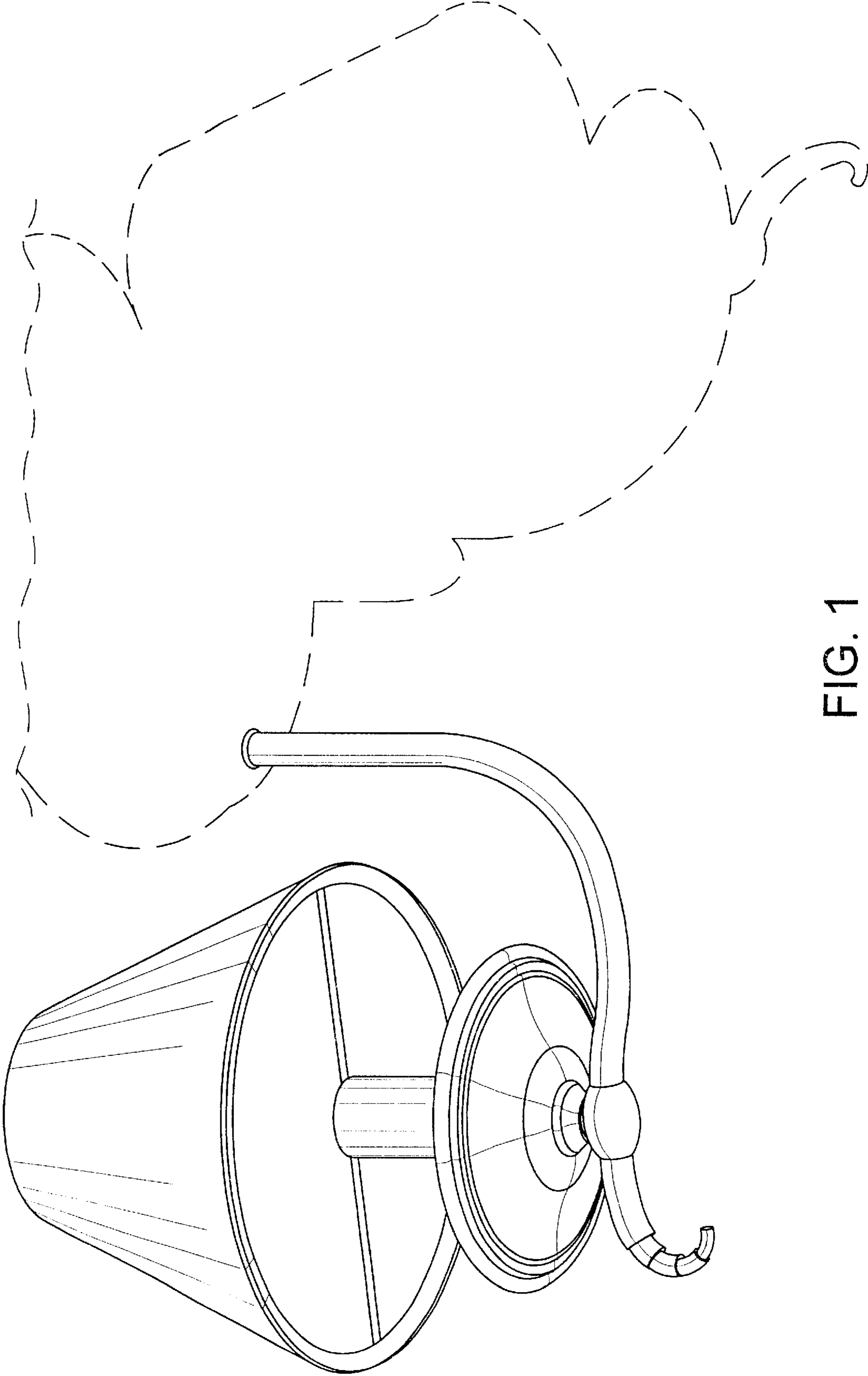


FIG. 1

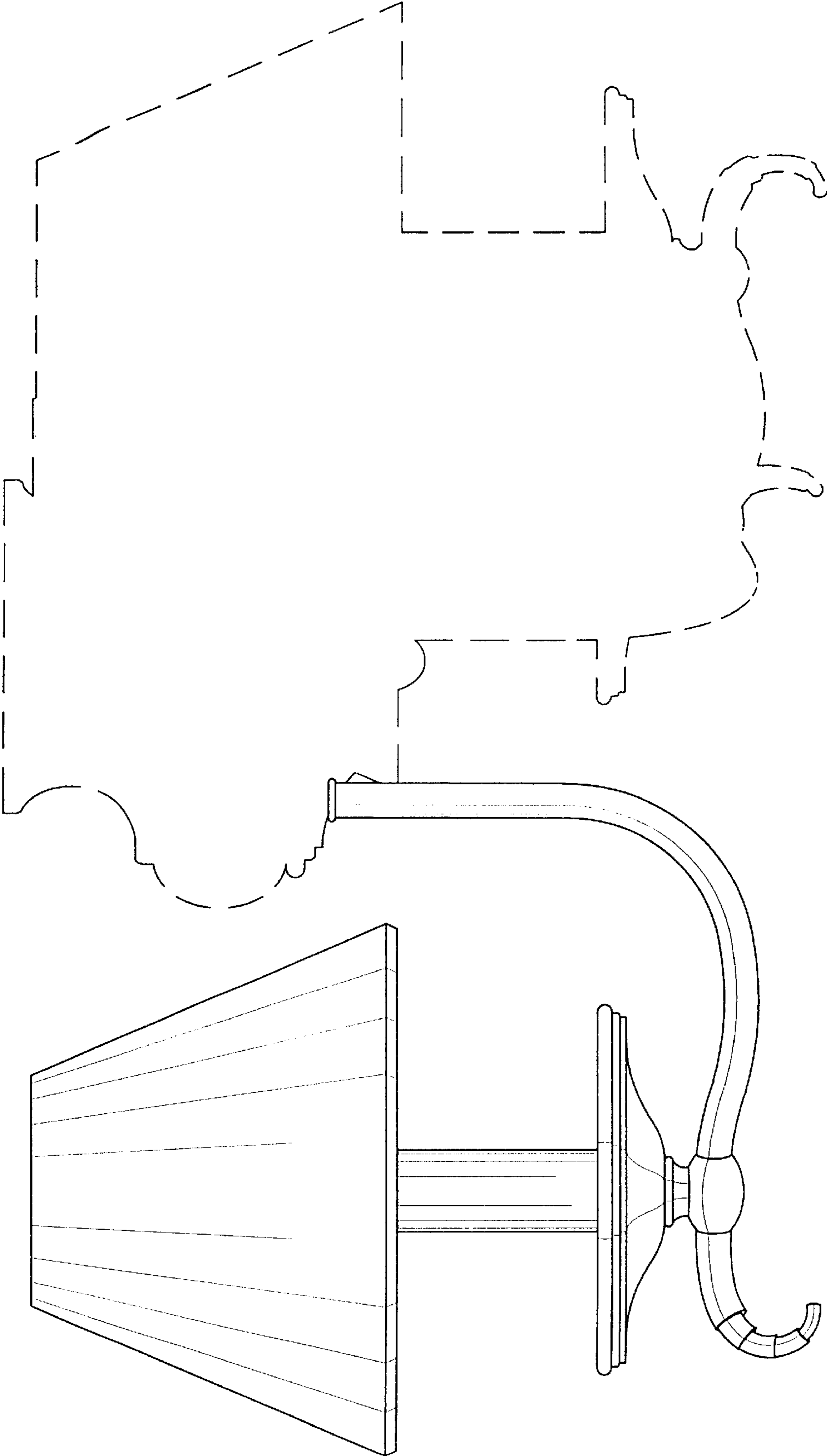


FIG. 2

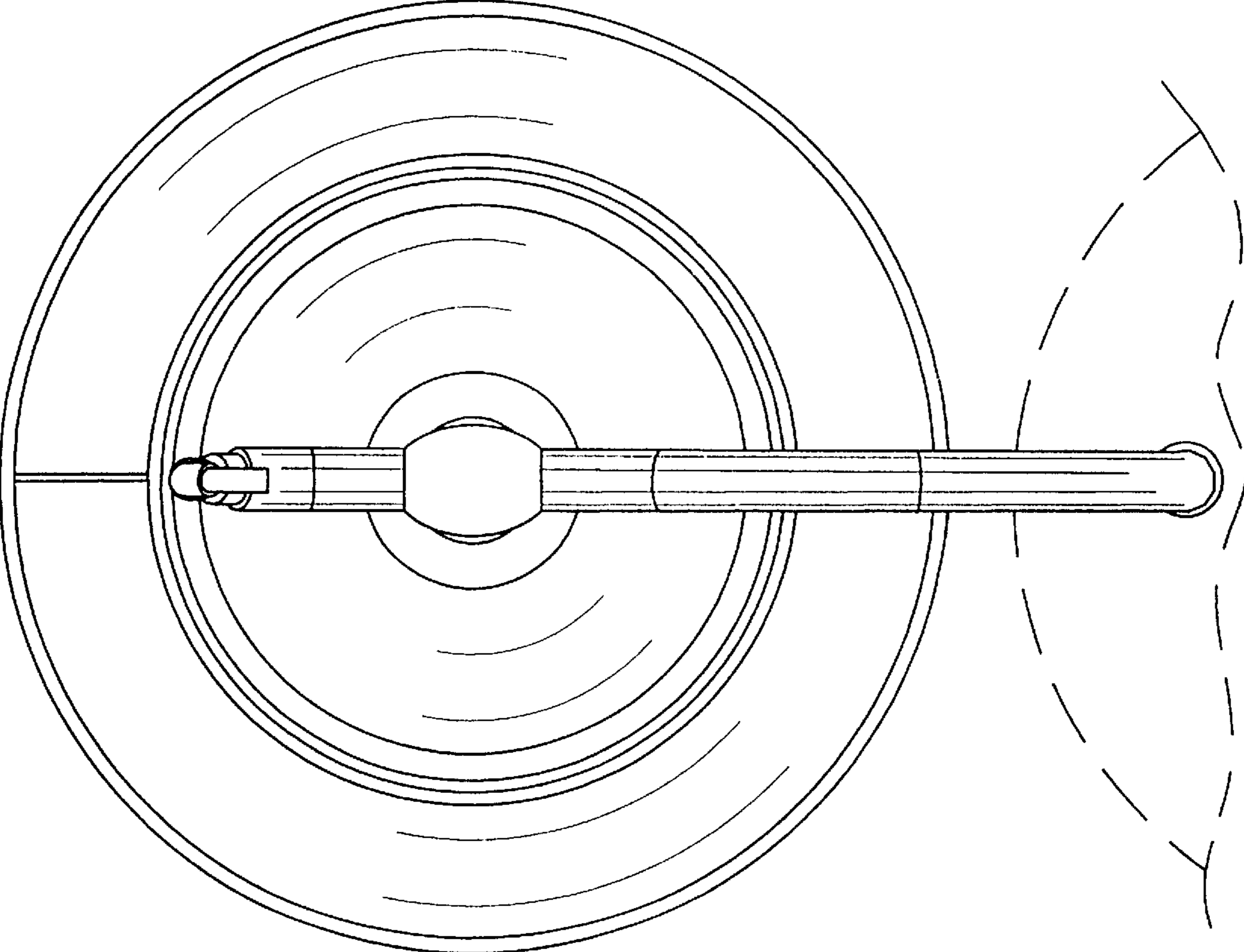


FIG. 3

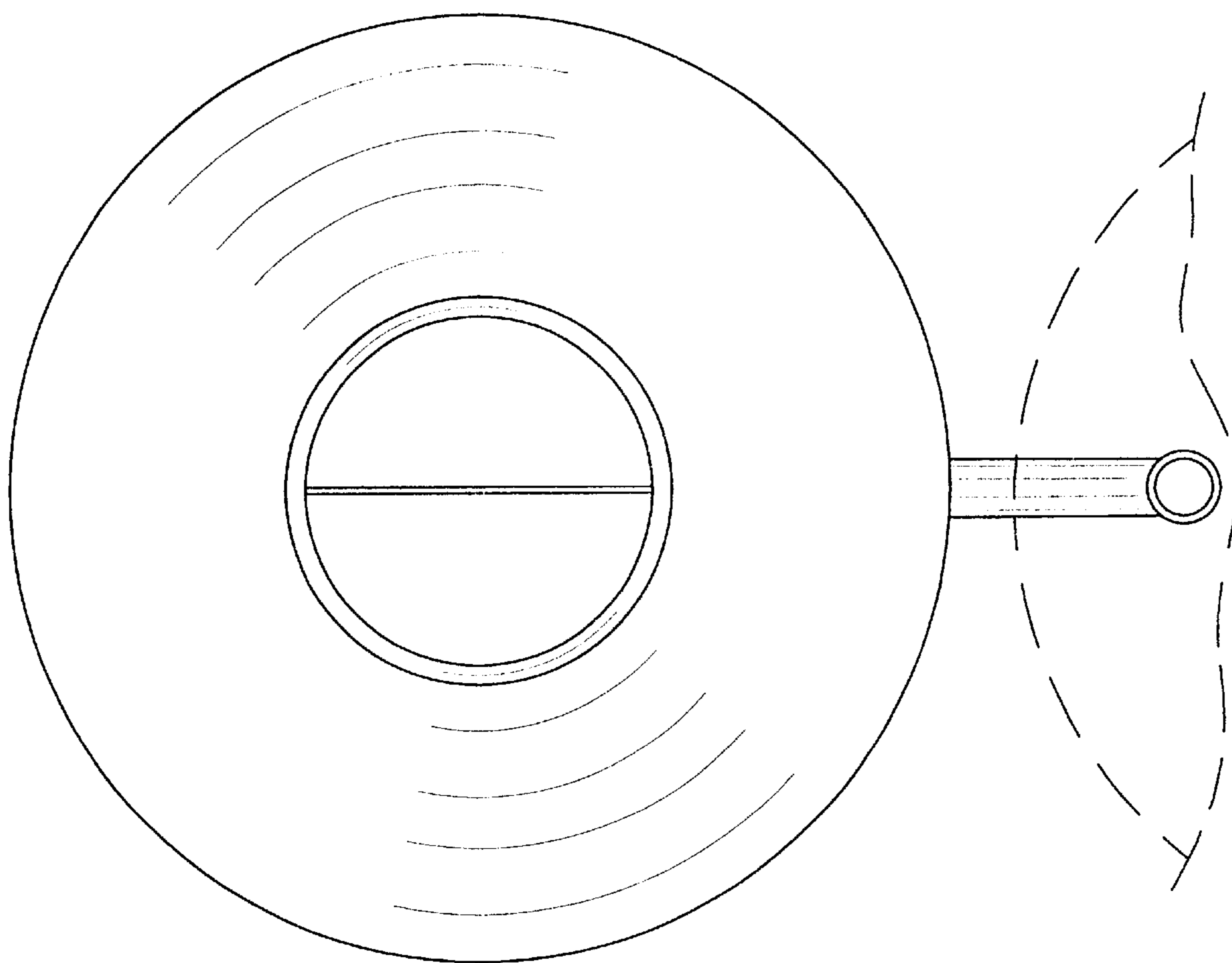


FIG. 4