



US00D587386S

(12) **United States Design Patent**  
**Ward-Jones**

(10) **Patent No.:** **US D587,386 S**

(45) **Date of Patent:** **\*\* Feb. 24, 2009**

(54) **DECORATIVE VOTIVE HOLDER**

D542,434 S \* 5/2007 Schofield ..... D26/11  
D542,946 S \* 5/2007 King ..... D26/11  
D550,033 S \* 9/2007 Bodum ..... D7/509

(76) Inventor: **Yolanda M. Ward-Jones**, 5004 Montego Way, Muncie, IN (US) 47302

\* cited by examiner

(\*\*) Term: **14 Years**

*Primary Examiner*—Robert M Spear  
*Assistant Examiner*—Ania K Dworzecka

(21) Appl. No.: **29/321,439**

(22) Filed: **Jul. 16, 2008**

(57) **CLAIM**

(51) **LOC (9) Cl.** ..... **26-01**

The ornamental design for a decorative votive holder, as shown.

(52) **U.S. Cl.** ..... **D26/9**

(58) **Field of Classification Search** ..... D26/9,  
D26/6, 7, 10, 11, 12, 16; 431/125, 156, 288,  
431/290–293; D11/143, 146  
See application file for complete search history.

**DESCRIPTION**

(56) **References Cited**

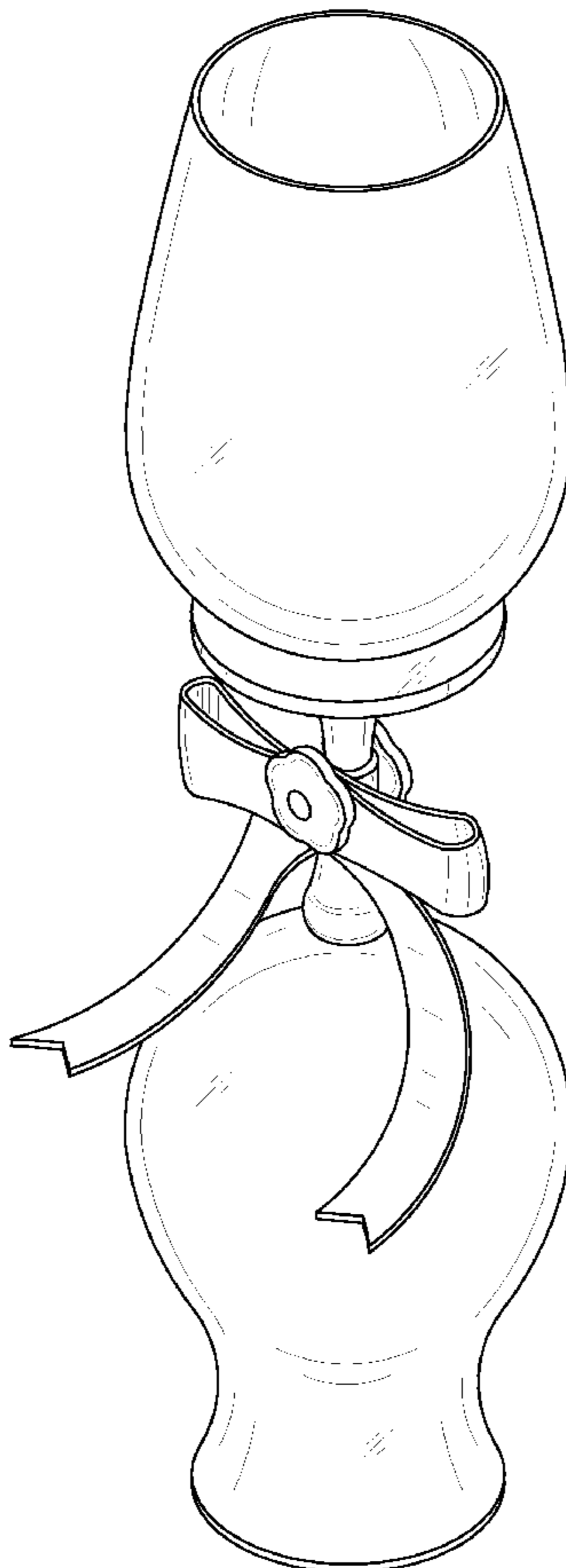
U.S. PATENT DOCUMENTS

3,583,853	A	6/1971	Schramm	
3,790,332	A	2/1974	Woollard	
D263,083	S	2/1982	LeVan	
4,566,055	A	1/1986	Klees et al.	
4,875,852	A *	10/1989	Ferren	431/324
4,931,014	A	6/1990	Scott et al.	
D411,892	S *	7/1999	Robinson	D26/9
6,059,564	A	5/2000	Morris	

FIG. 1 is a perspective view of a decorative votive holder;  
FIG. 2 is a front view thereof;  
FIG. 3 is a back view thereof;  
FIG. 4 is a side view thereof;  
FIG. 5 is a top view thereof; and,  
FIG. 6 is a bottom view thereof.

In the drawings, the broken lines shown in FIGS. 2, 3 and 4 depict environmental subject matter only and form no part of the claimed design.

**1 Claim, 3 Drawing Sheets**



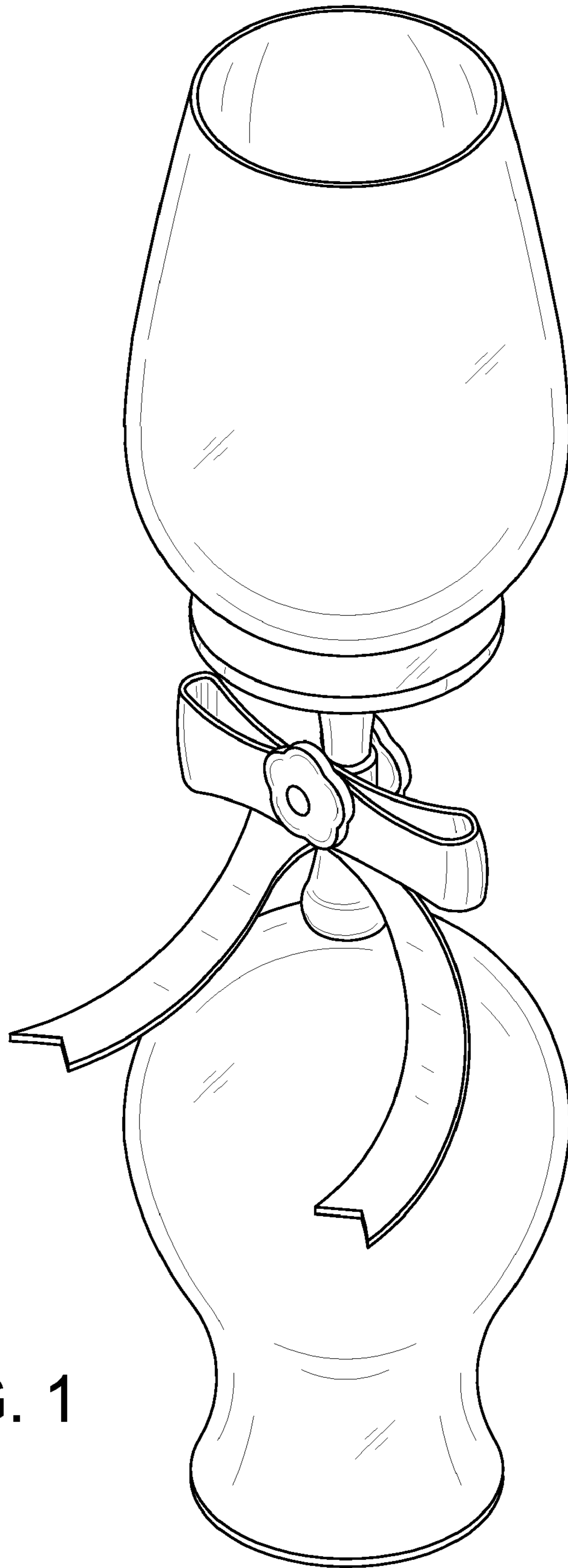


FIG. 1

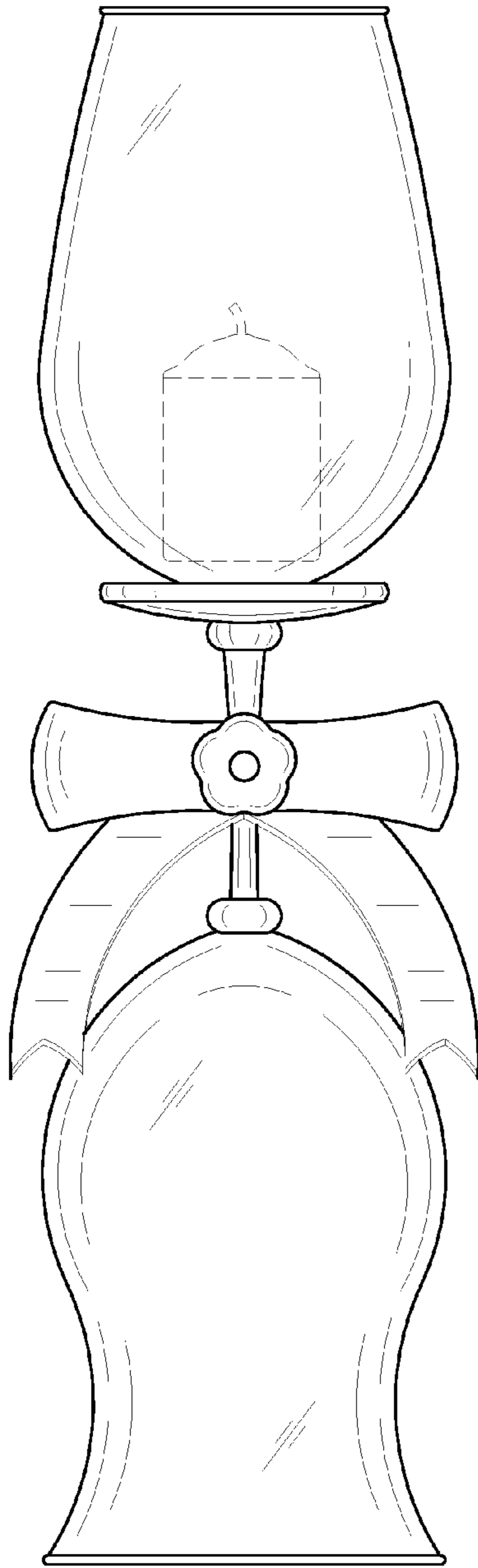


FIG. 2

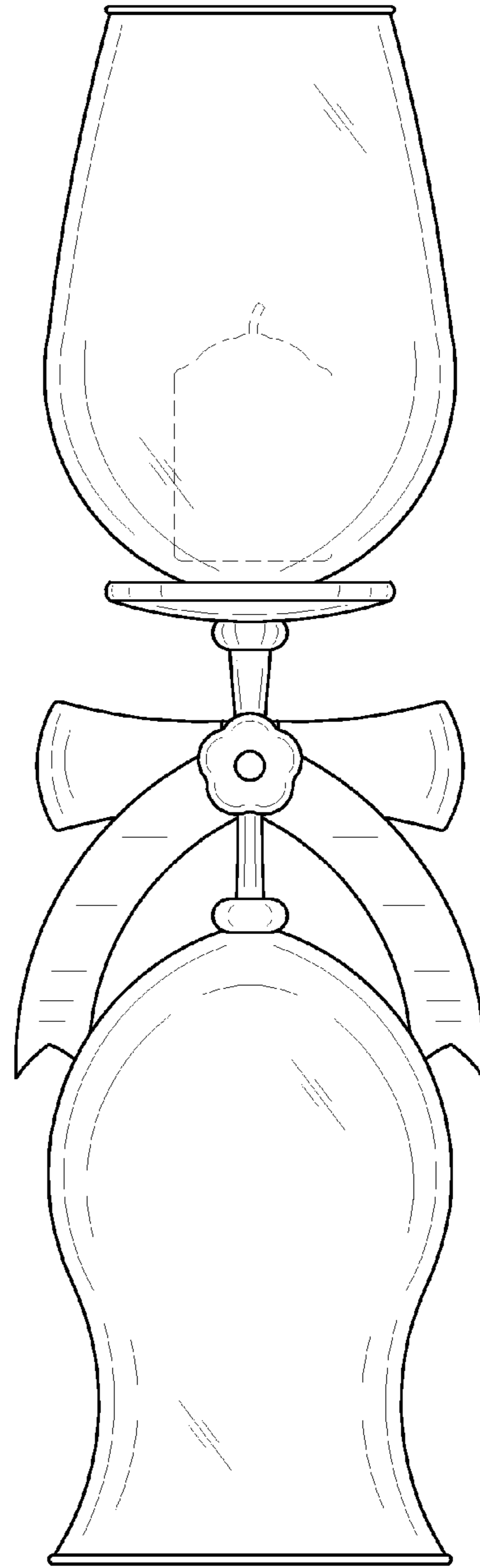


FIG. 3

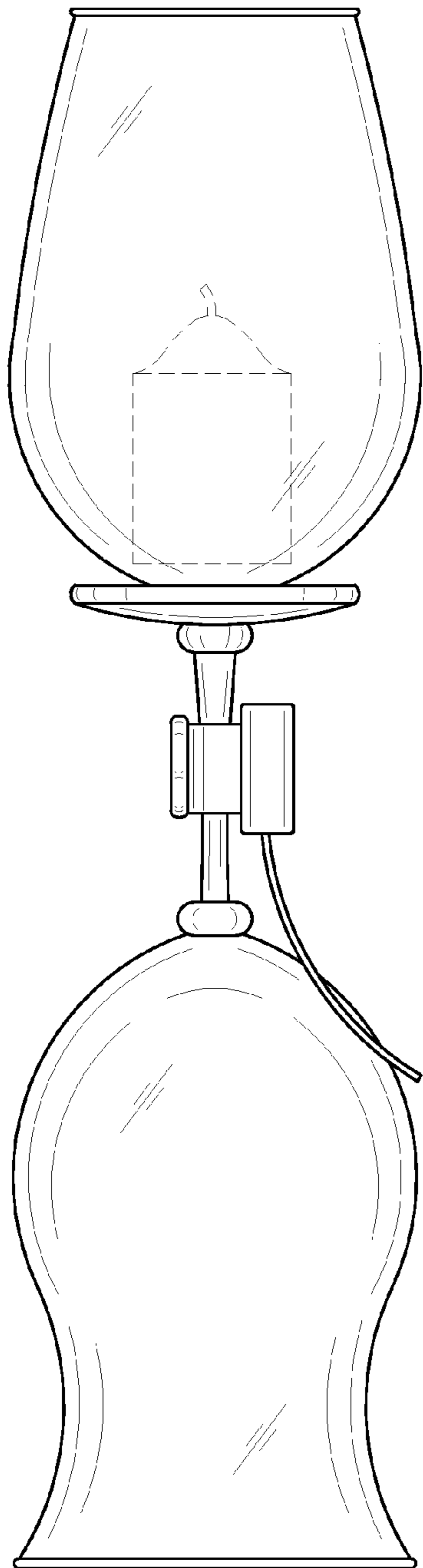


FIG. 4

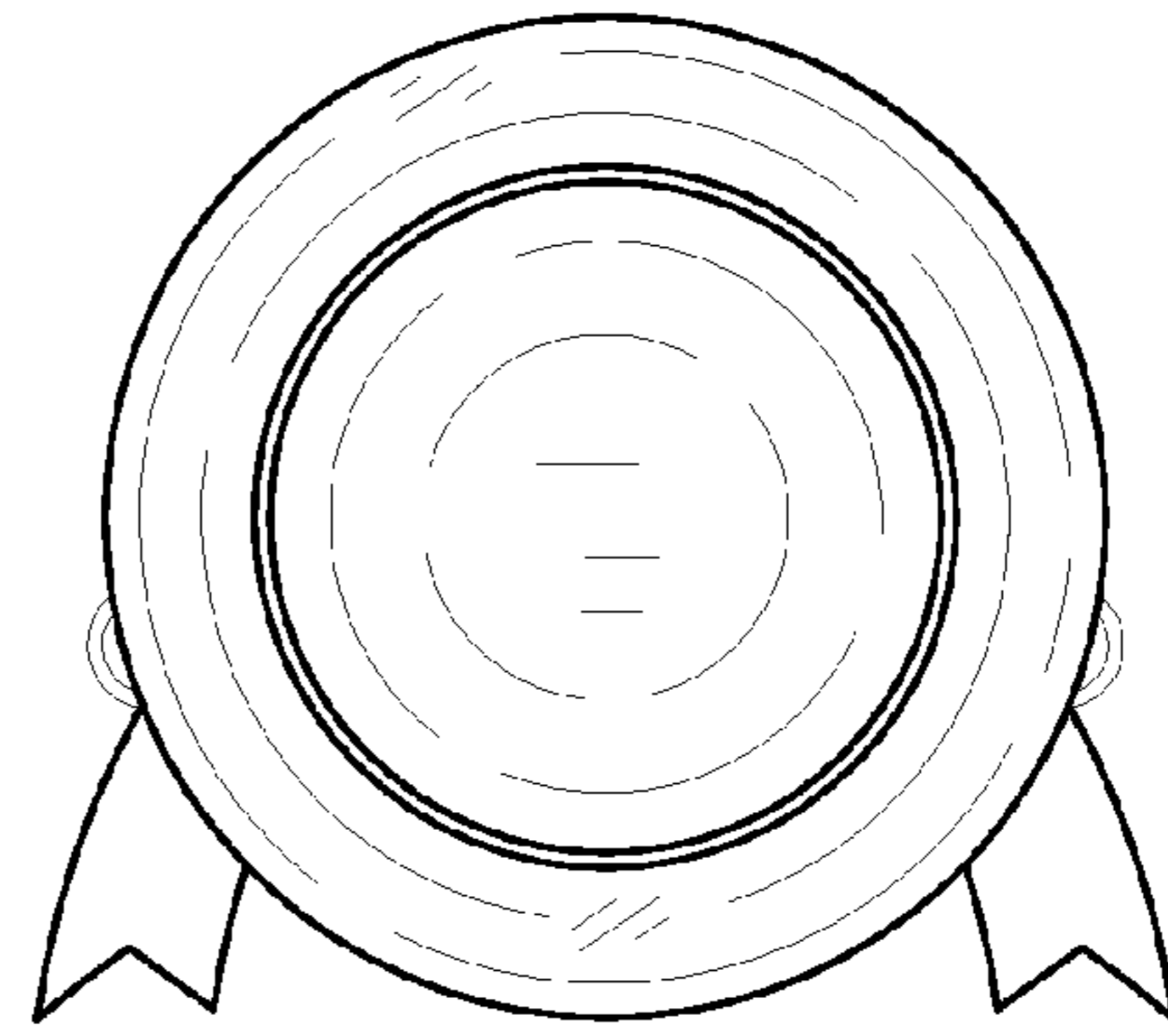


FIG. 5

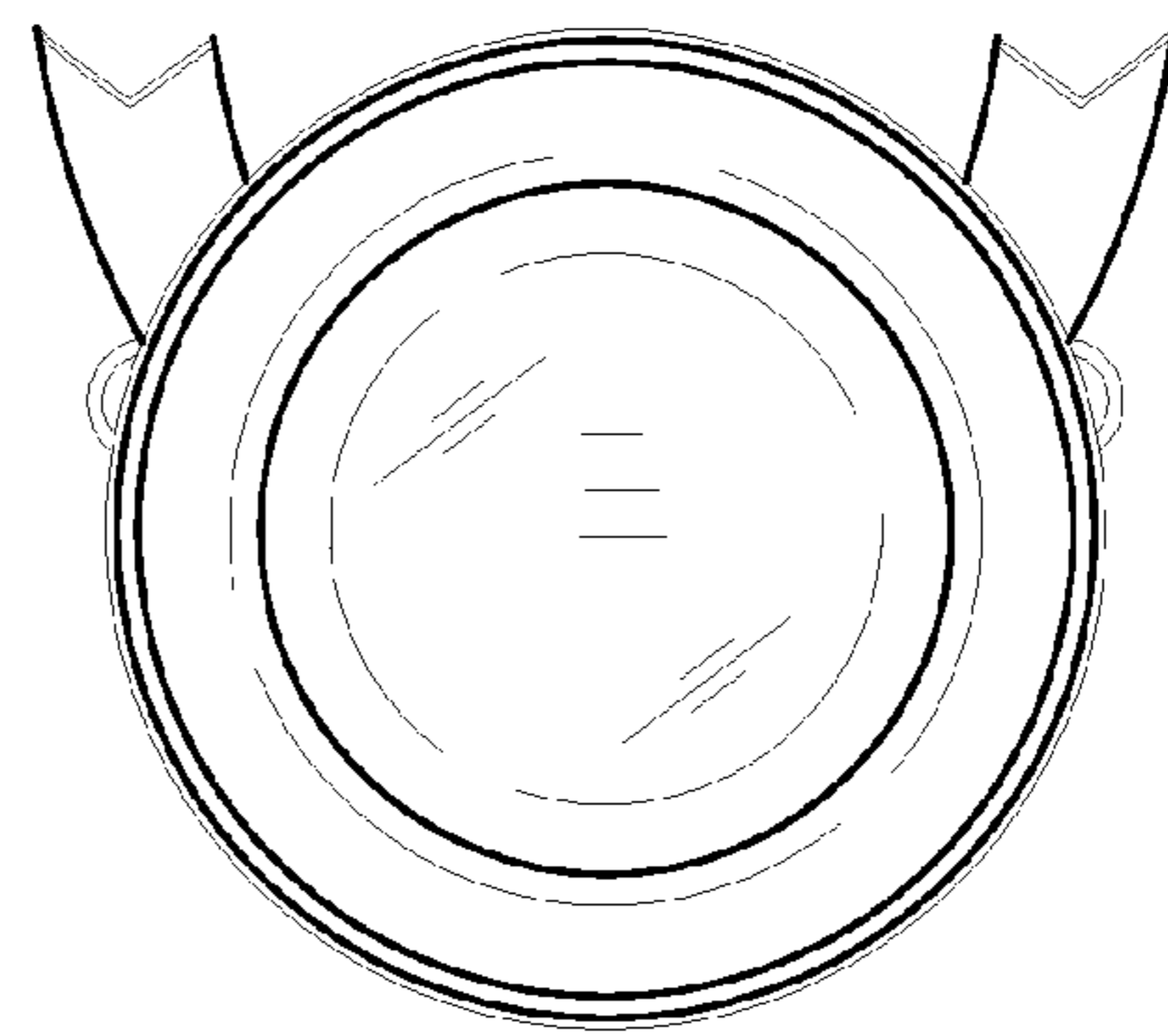


FIG. 6