



US00D587385S

(12) **United States Design Patent**
Davis

(10) **Patent No.:** **US D587,385 S**

(45) **Date of Patent:** **** Feb. 24, 2009**

(54) **CANDLE**

(76) **Inventor:** **Sandra Davis**, 11423 Munn St.,
Houston, TX (US) 77029

(**) **Term:** **14 Years**

(21) **Appl. No.:** **29/285,330**

(22) **Filed:** **Mar. 27, 2007**

(51) **LOC (9) Cl.** **26-04**

(52) **U.S. Cl.** **D26/7**

(58) **Field of Classification Search** D26/6-23;
431/288, 125, 126, 292, 289; D11/131, 131.1,
D11/157; D7/585, 509-511, 523; D9/500,
D9/504, 503, 505, 529; D28/82; 220/660,
220/662, 675; D24/197

See application file for complete search history.

(56) **References Cited**

U.S. PATENT DOCUMENTS

2,959,314	A *	11/1960	Sanchez	215/11.1
3,105,324	A *	10/1963	Friedman	446/267
3,746,198	A *	7/1973	Howland	215/11.1
D320,455	S *	10/1991	Malcolm	D24/199
D320,859	S *	10/1991	Malcolm	D24/197
5,932,262	A *	8/1999	Little	426/420
D437,233	S *	2/2001	Gibert	D9/556
6,302,286	B1 *	10/2001	Witherspoon	215/11.6
6,595,771	B2 *	7/2003	Chu	431/291
D531,763	S *	11/2006	Waldeck	D30/102

OTHER PUBLICATIONS

Rosemary Company website, <http://www.rosemarycompany.com/4525.html>, 1 Page.*

Bella basket boutique Website, <http://www.bellabasketboutique.com/products/154/babybottlecandle.aspx>, 1 Page.*

* cited by examiner

Primary Examiner—Robert M Spear

Assistant Examiner—Ania K Dworzecka

(74) *Attorney, Agent, or Firm*—Browning Bushman PC

(57) **CLAIM**

The ornamental design for a candle, as shown and described.

DESCRIPTION

FIG. 1 is an exploded front perspective view of a candle;

FIG. 2 is a left side or a right side view thereof;

FIG. 3 is a top view of the bottle top, which is symmetrical about its axis;

FIG. 4 is a bottom view of the bottle, which is symmetrical about its axis;

FIG. 5 is a bottom view of the cap, which is symmetrical about its axis;

FIG. 6 is a top view of the cap, which is symmetrical about its axis;

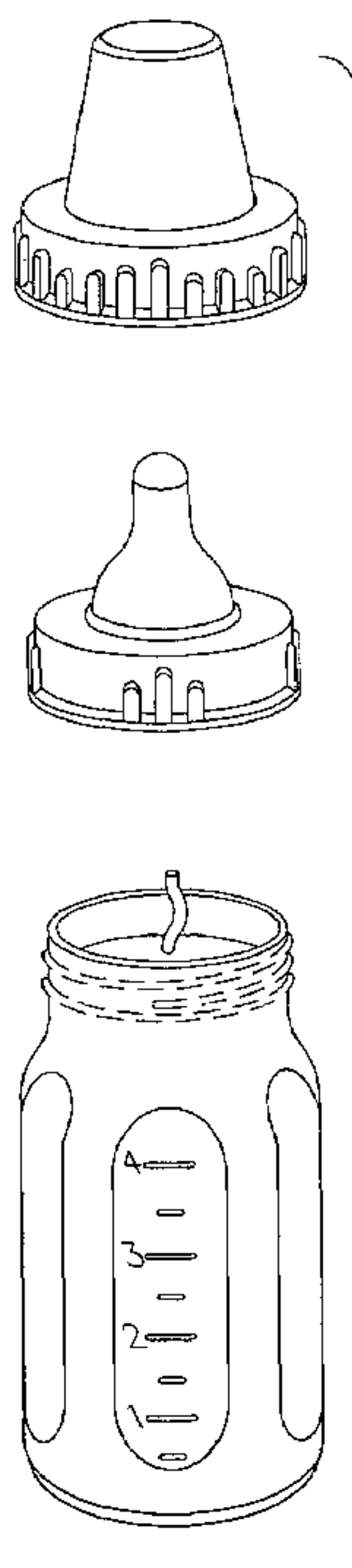
FIG. 7 is a bottom view of the nipple member, which is symmetrical about its axis;

FIG. 8 is a top view of the nipple member, which is symmetrical about its axis; and,

FIG. 9 is a rear view of the candle shown in FIG. 1.

The broken lines shown in the figures are for illustrative purposes only and form no part of the claimed design.

1 Claim, 2 Drawing Sheets



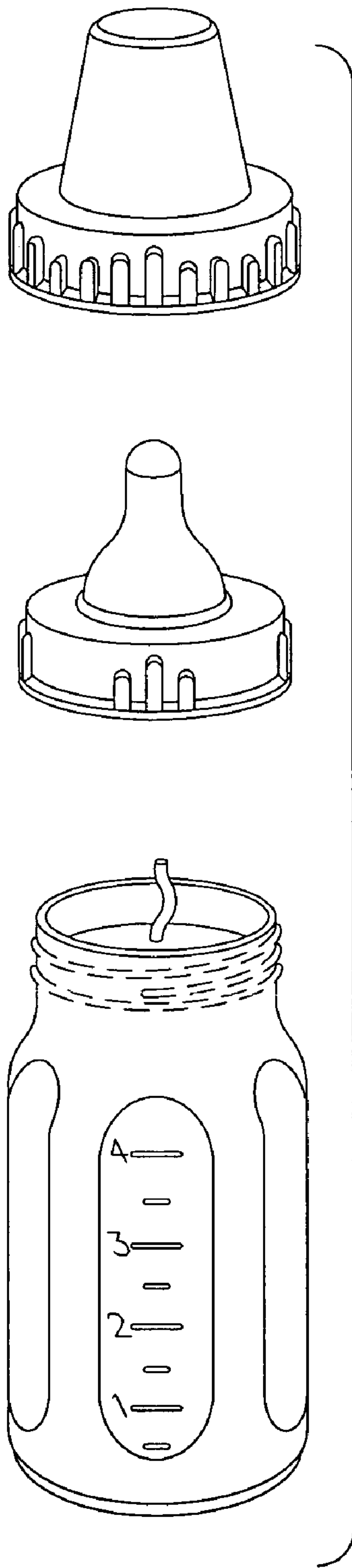


FIG. 1

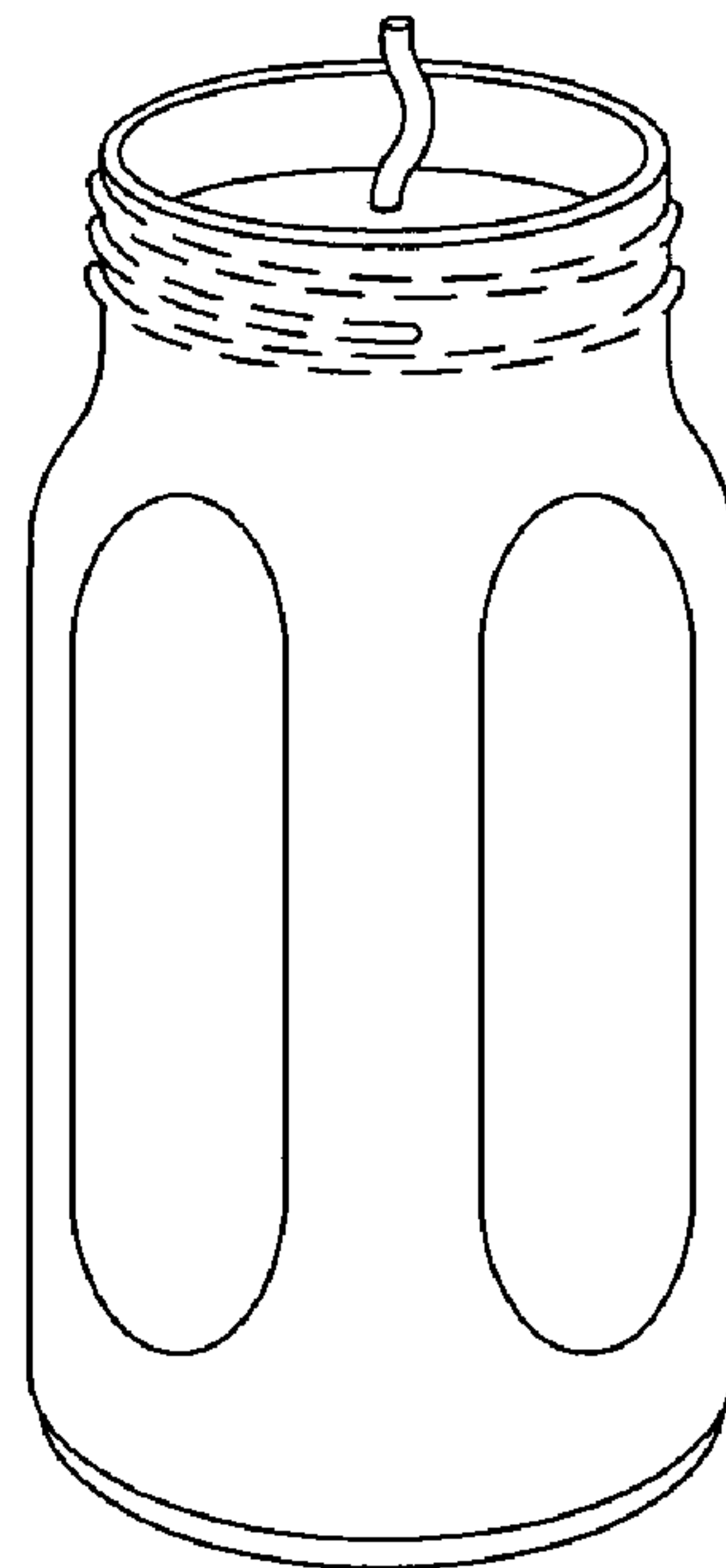


FIG. 2

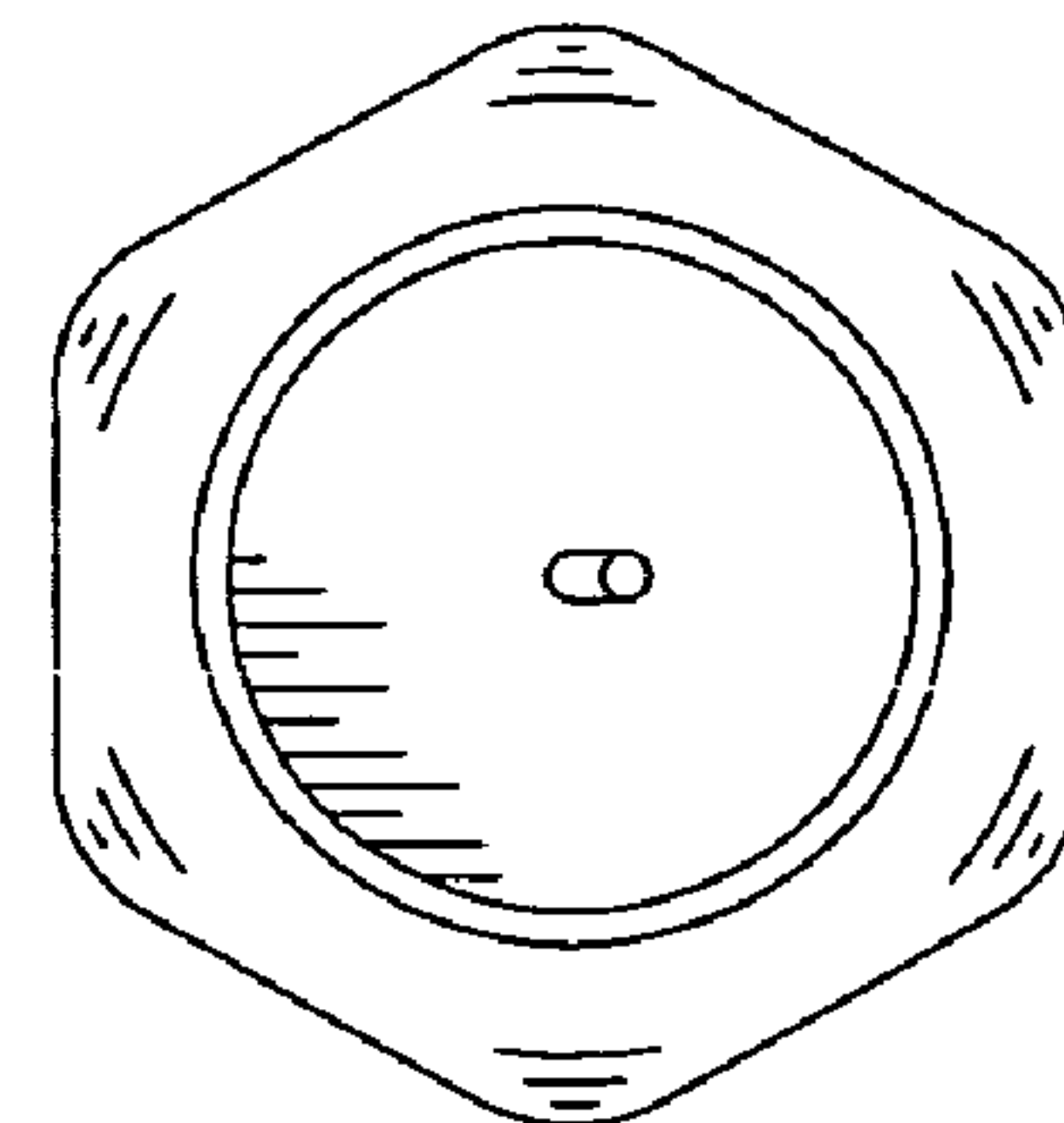


FIG. 3

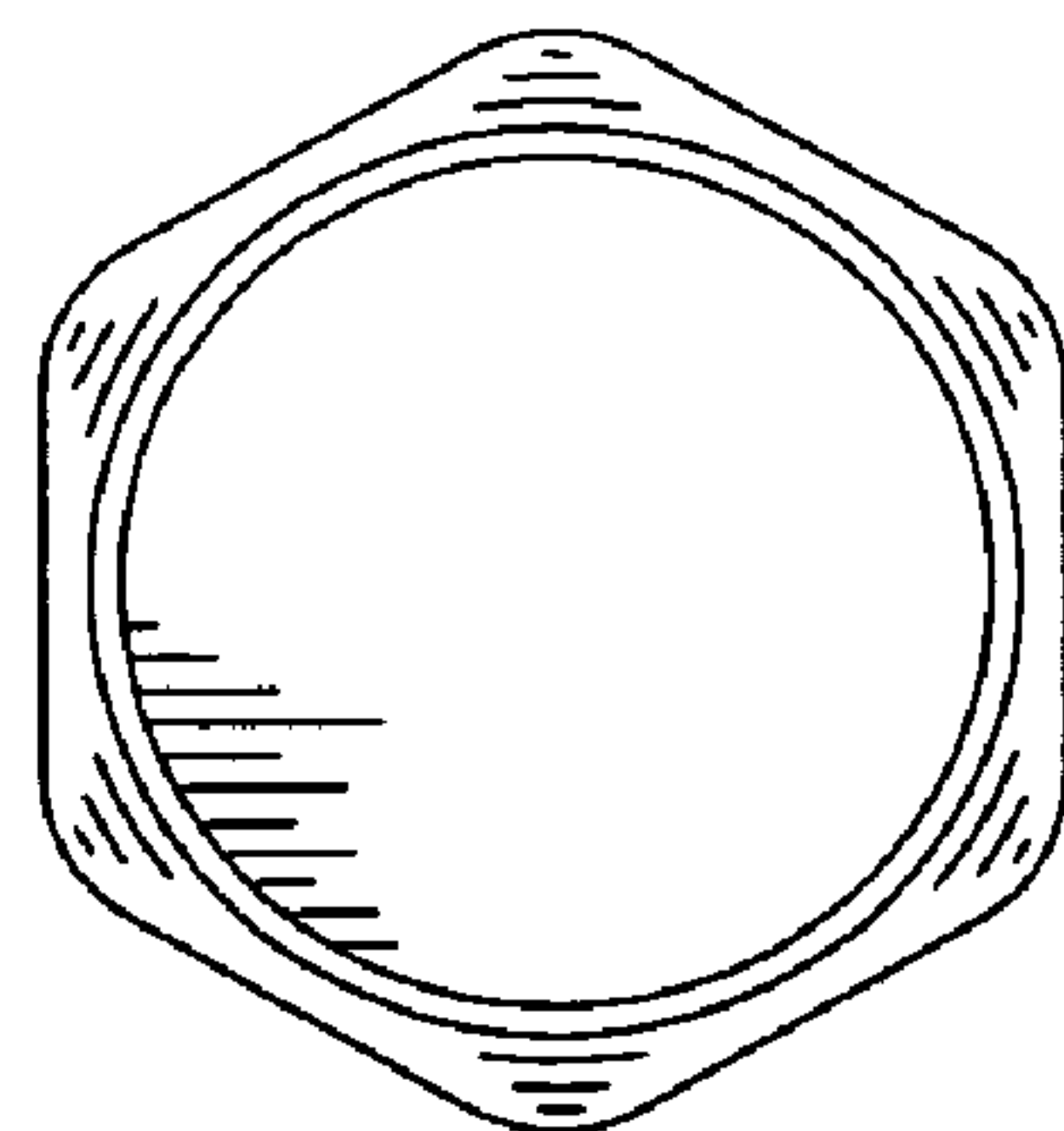


FIG. 4

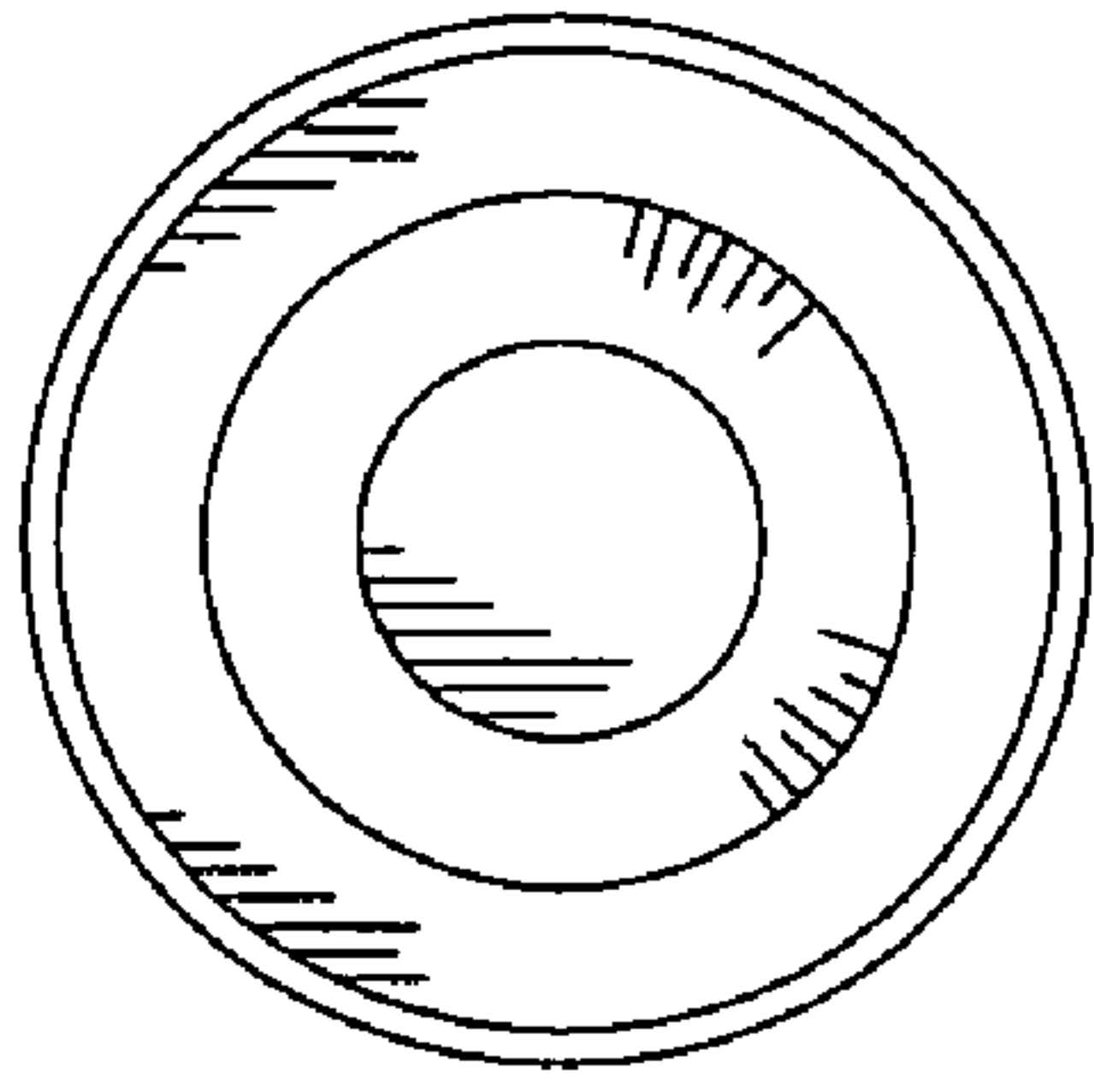


FIG. 5

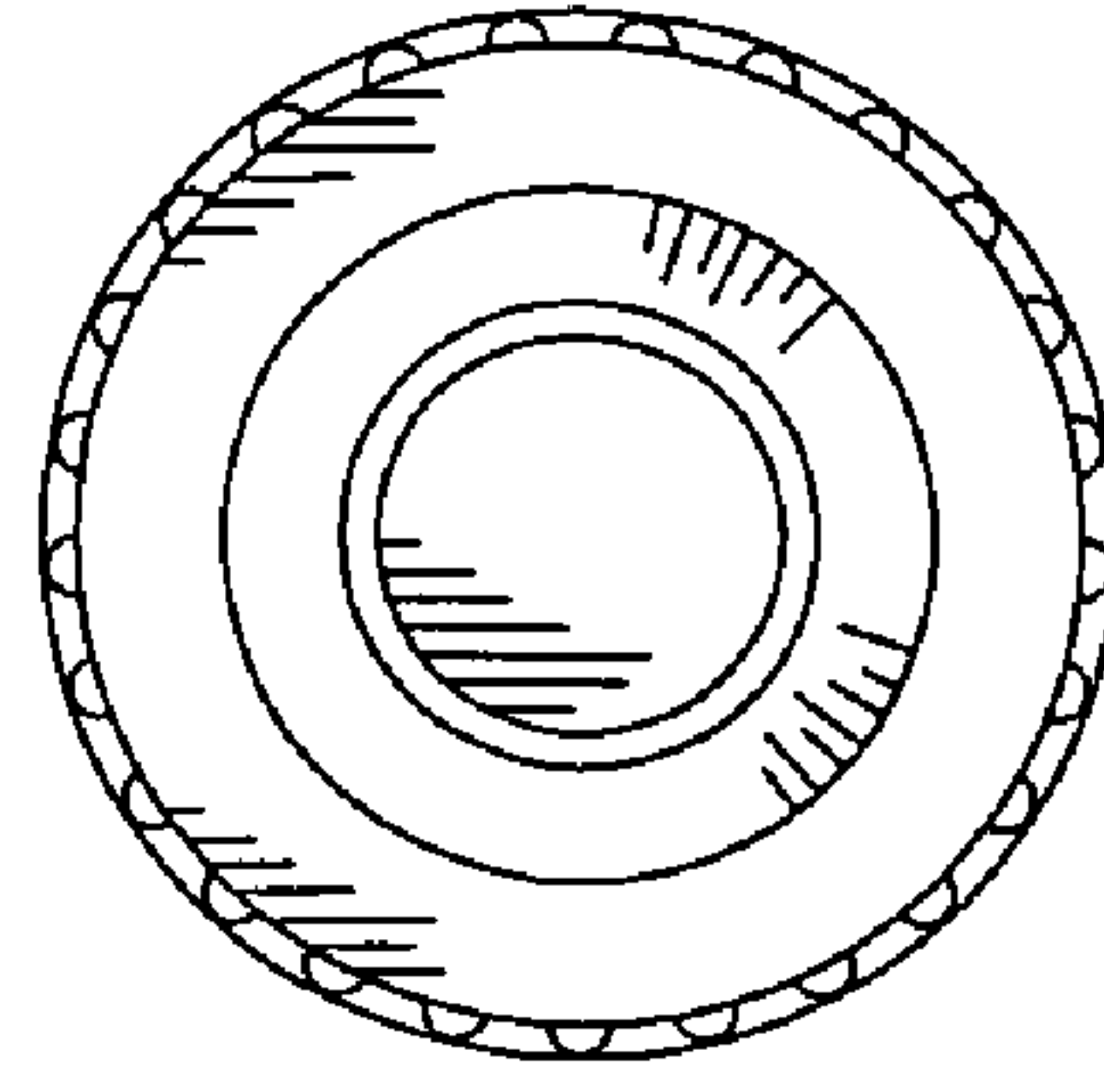


FIG. 6

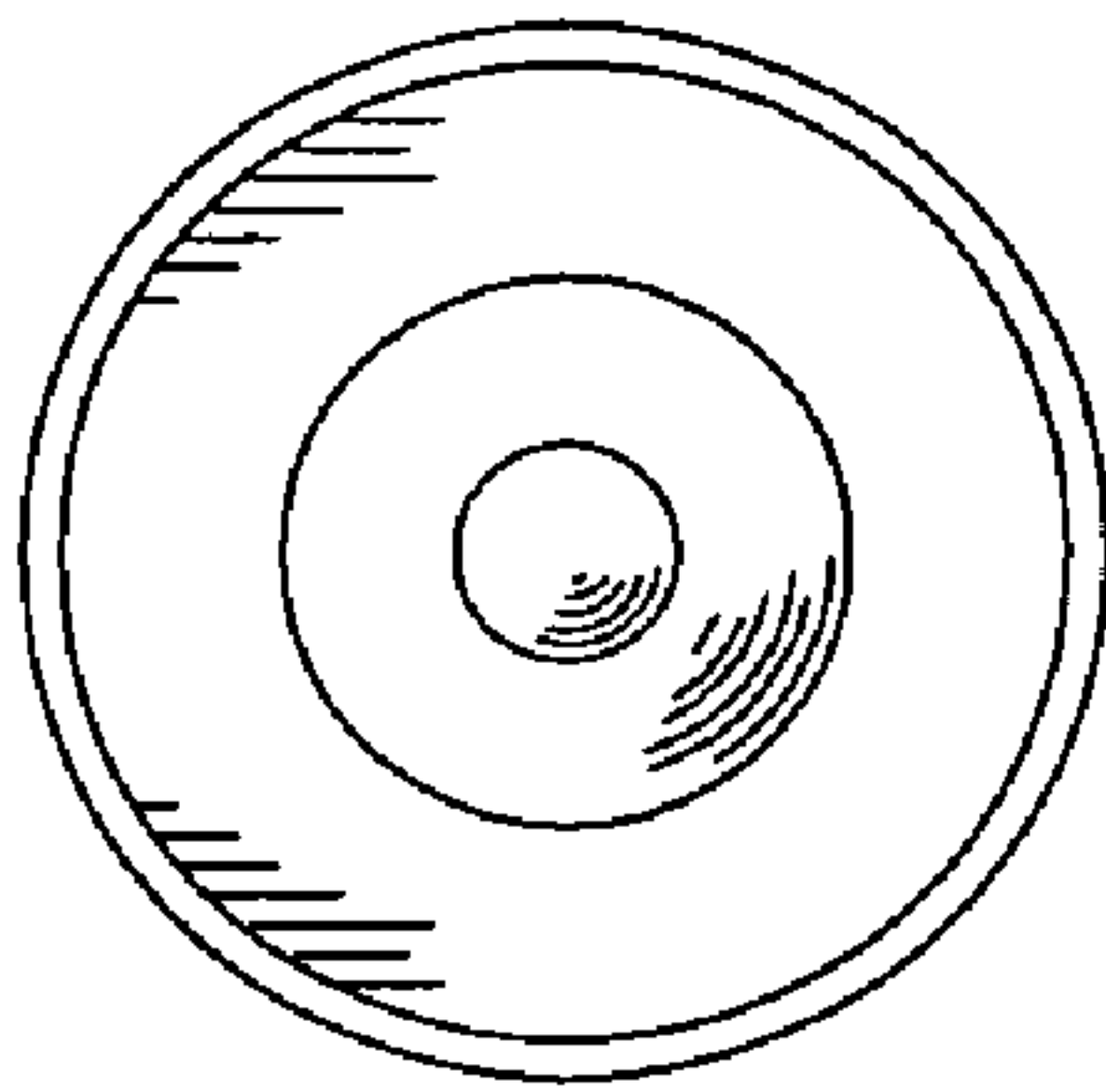


FIG. 7

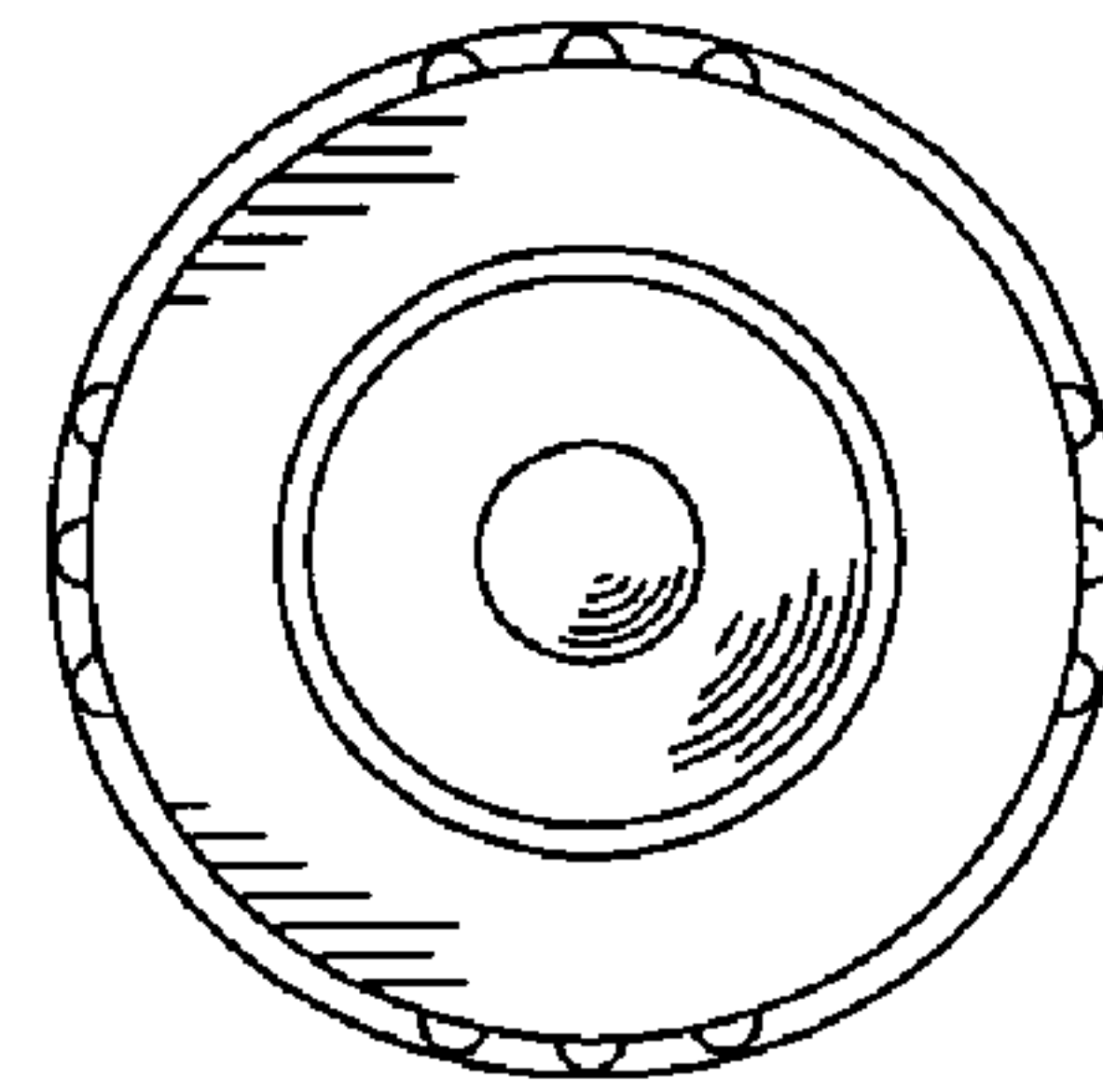


FIG. 8

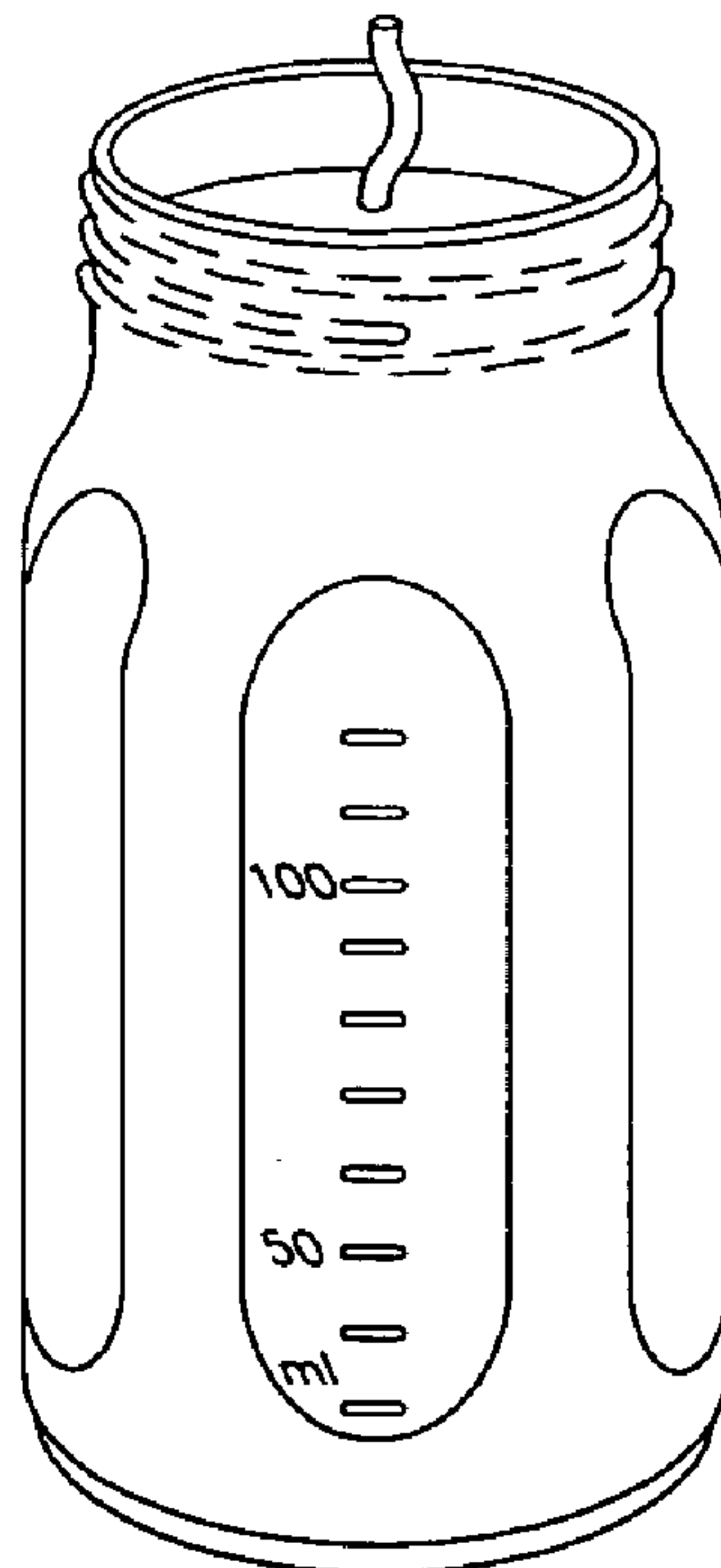


FIG. 9