



US00D587384S

(12) **United States Design Patent**
Wei

(10) **Patent No.:** **US D587,384 S**

(45) **Date of Patent:** **** Feb. 24, 2009**

(54) **SPOTLIGHT**

D571,489 S * 6/2008 Opolka D26/2
D572,385 S * 7/2008 Mazzochette et al. D26/2

(75) Inventor: **Wen-Chen Wei**, Taipei (TW)

* cited by examiner

(73) Assignee: **NENG TYI Precision Industries Co., Ltd.**, Wuku, Taipei County (TW)

Primary Examiner—Marcus A. Jackson
(74) *Attorney, Agent, or Firm*—Roger H. Chu

(**) Term: **14 Years**

(57) **CLAIM**

(21) Appl. No.: **29/323,619**

The ornamental design for a spotlight, as shown and described.

(22) Filed: **Aug. 27, 2008**

(51) **LOC (9) Cl.** **26-04**

(52) **U.S. Cl.** **D26/2**

(58) **Field of Classification Search** D26/1-4;
313/313, 315, 317, 318, 493; 315/52, 53,
315/56, 57, 58

See application file for complete search history.

DESCRIPTION

FIG. 1 is a perspective view of a spotlight showing my new design;

FIG. 2 is a front elevation view thereof;

FIG. 3 is a rear elevation view thereof;

FIG. 4 is a left side elevation view thereof;

FIG. 5 is a right side elevation view thereof;

FIG. 6 is a top plan view thereof; and,

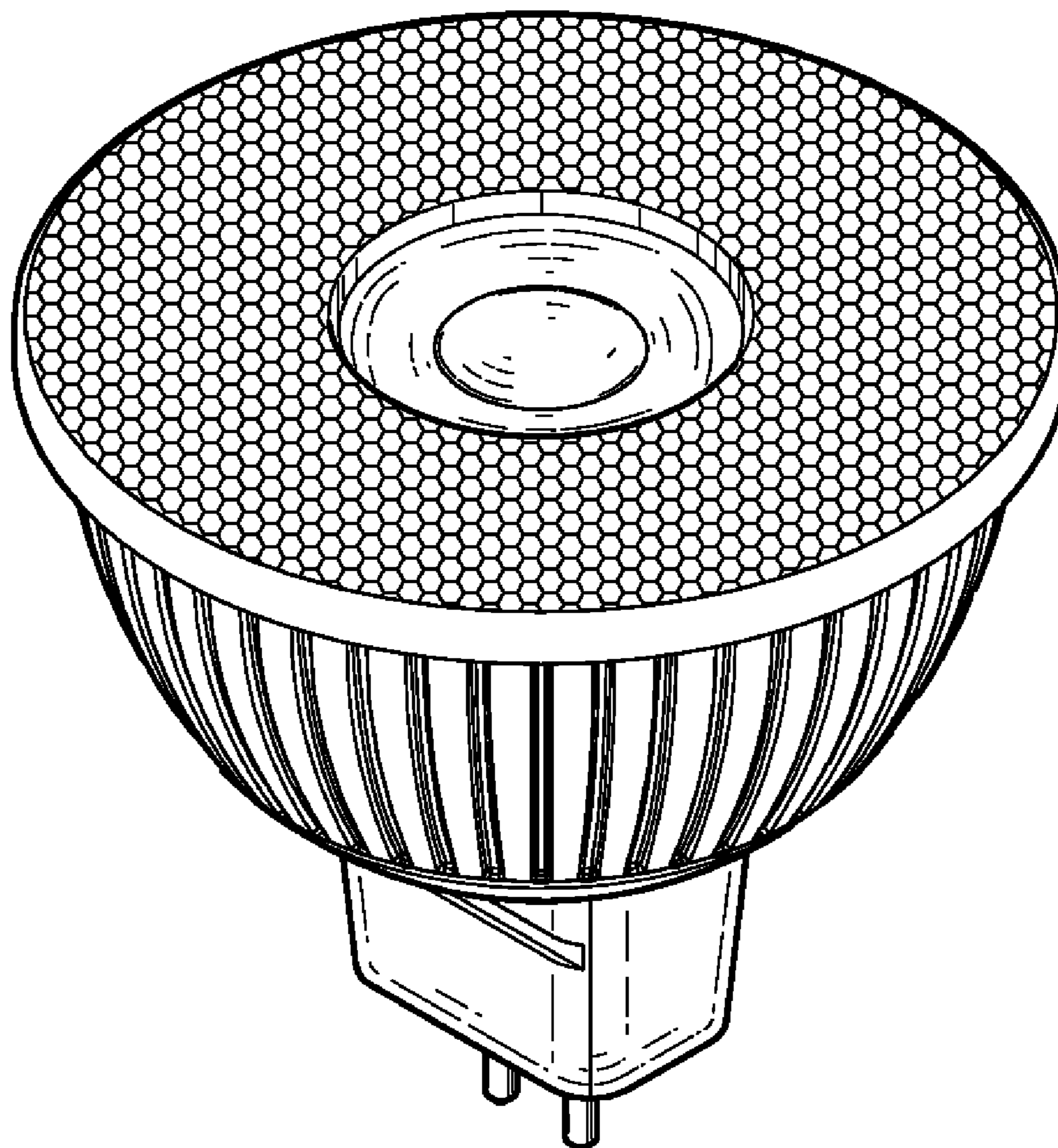
FIG. 7 is a bottom plan view thereof.

(56) **References Cited**

U.S. PATENT DOCUMENTS

D530,836 S * 10/2006 Johnson D26/2
D545,457 S * 6/2007 Chen D26/2
D551,784 S * 9/2007 Krieglmeyer et al. D26/2

1 Claim, 4 Drawing Sheets



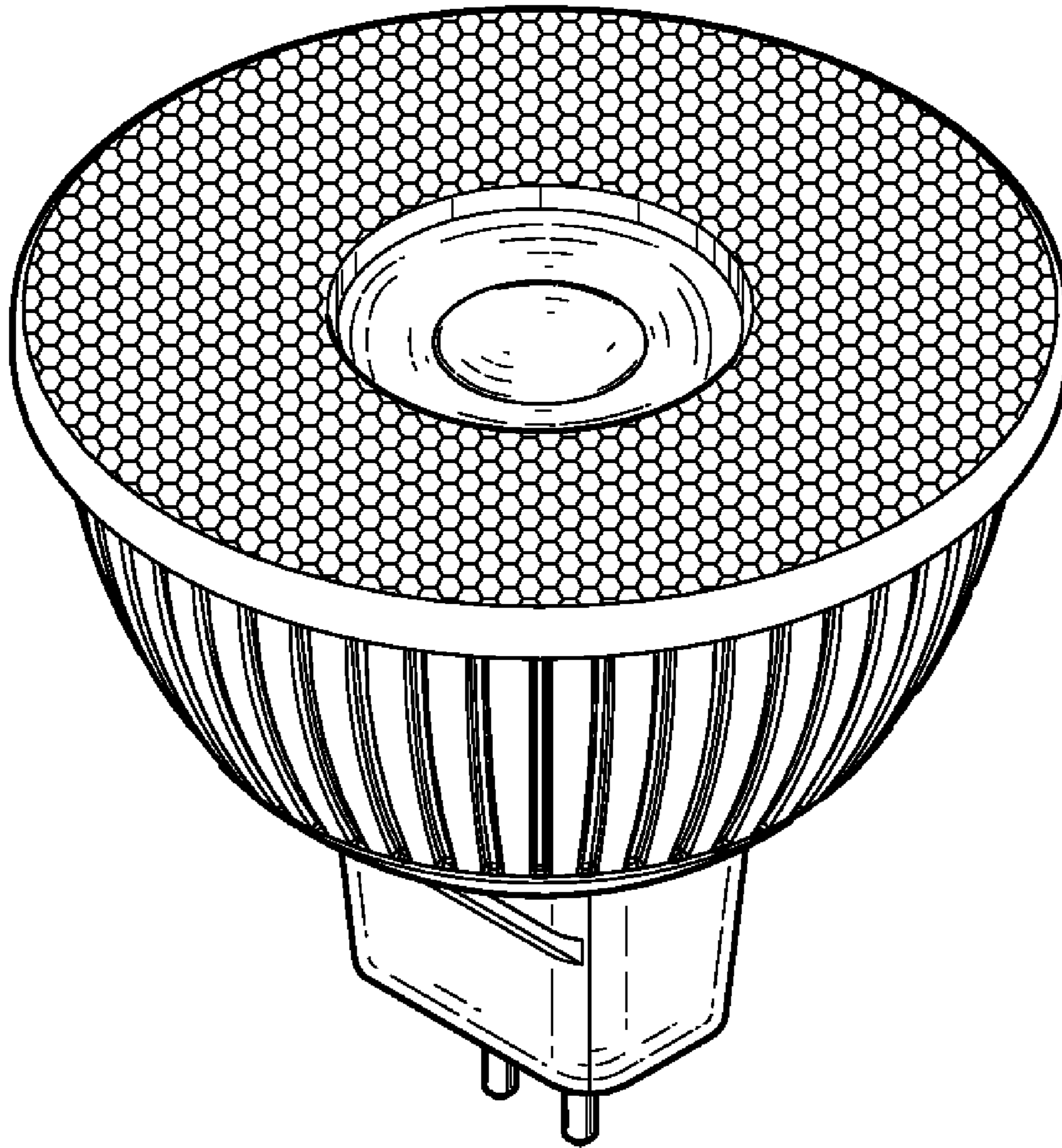


FIG.1

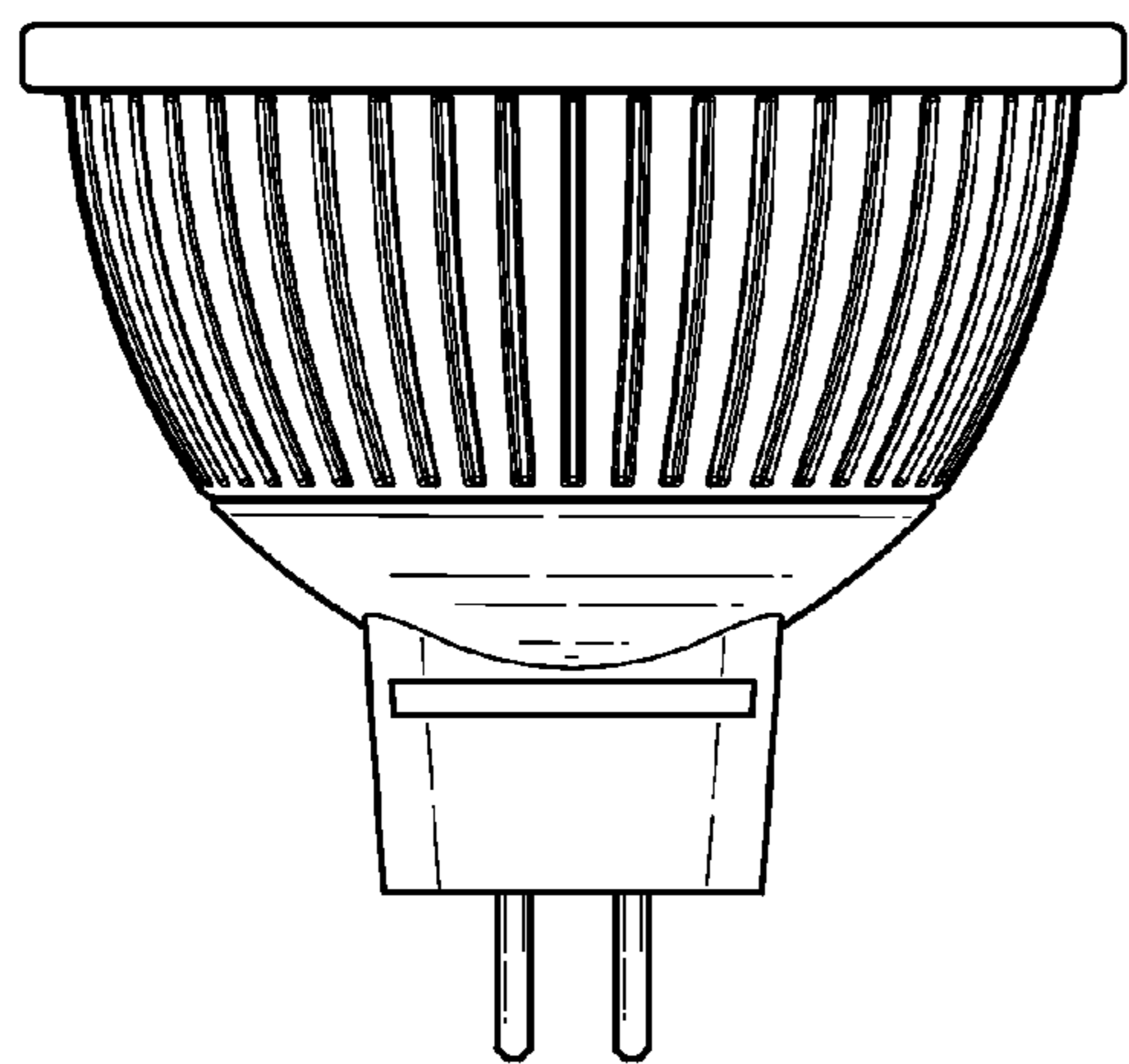


FIG. 2

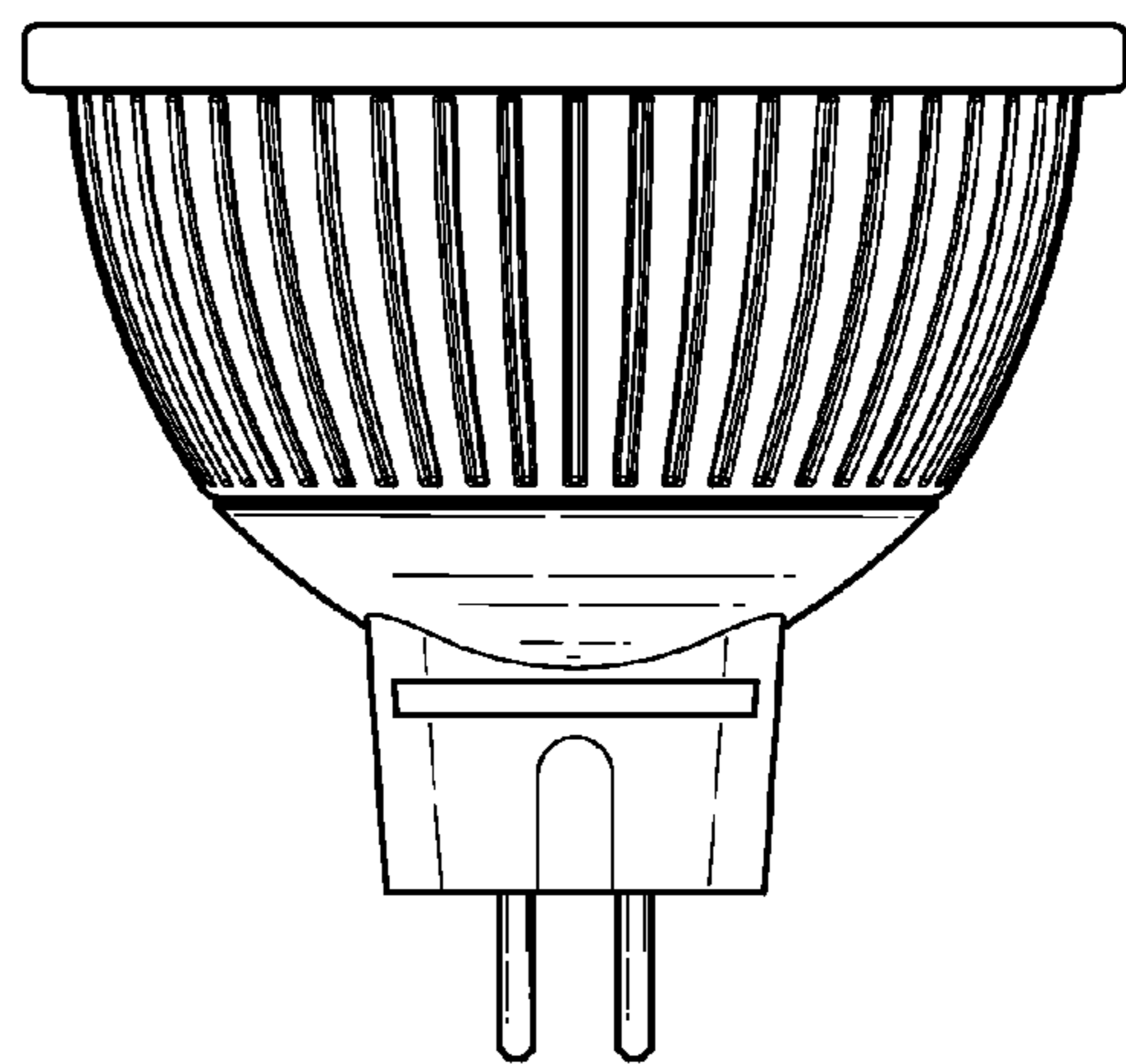


FIG. 3

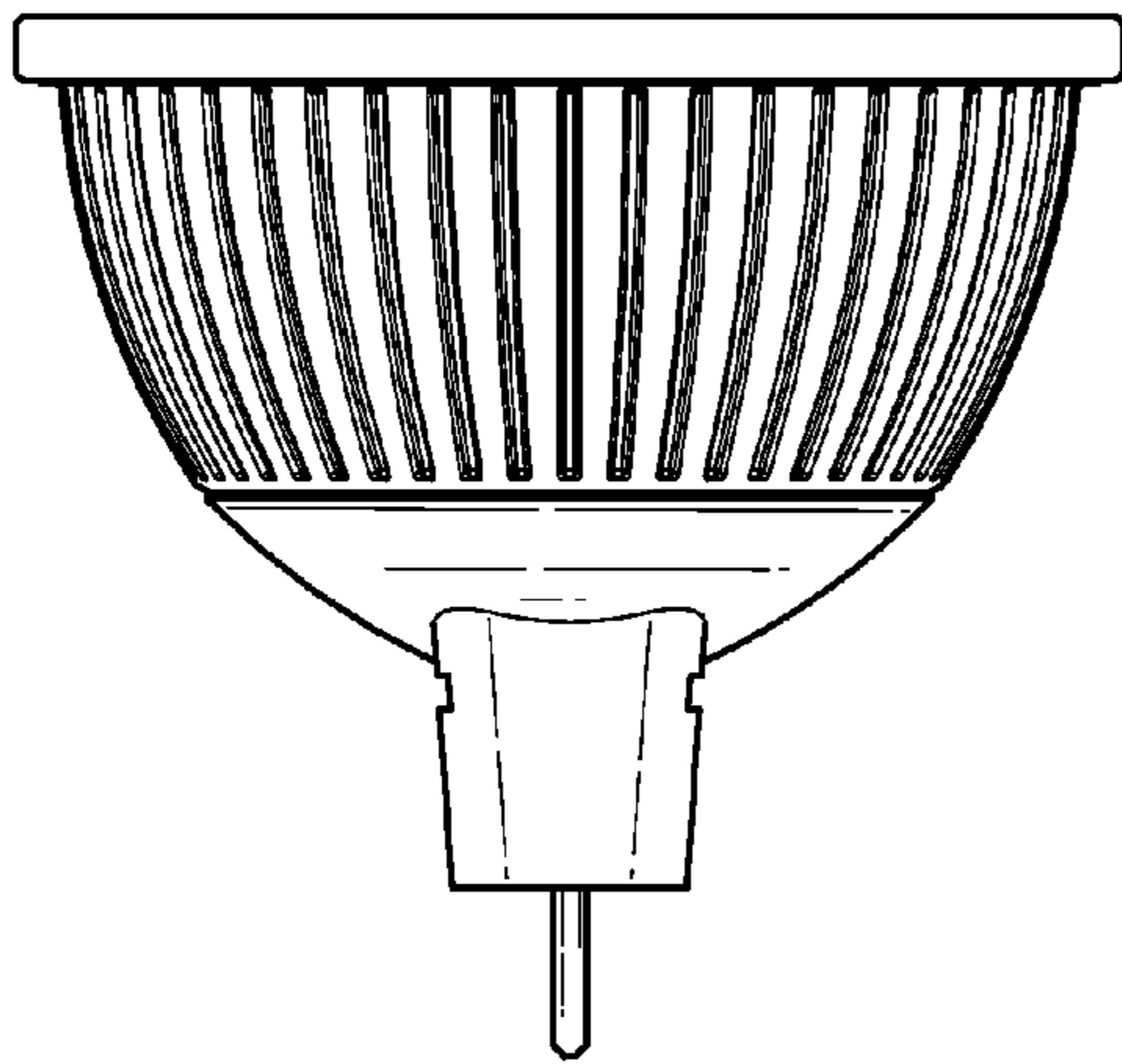


FIG.4

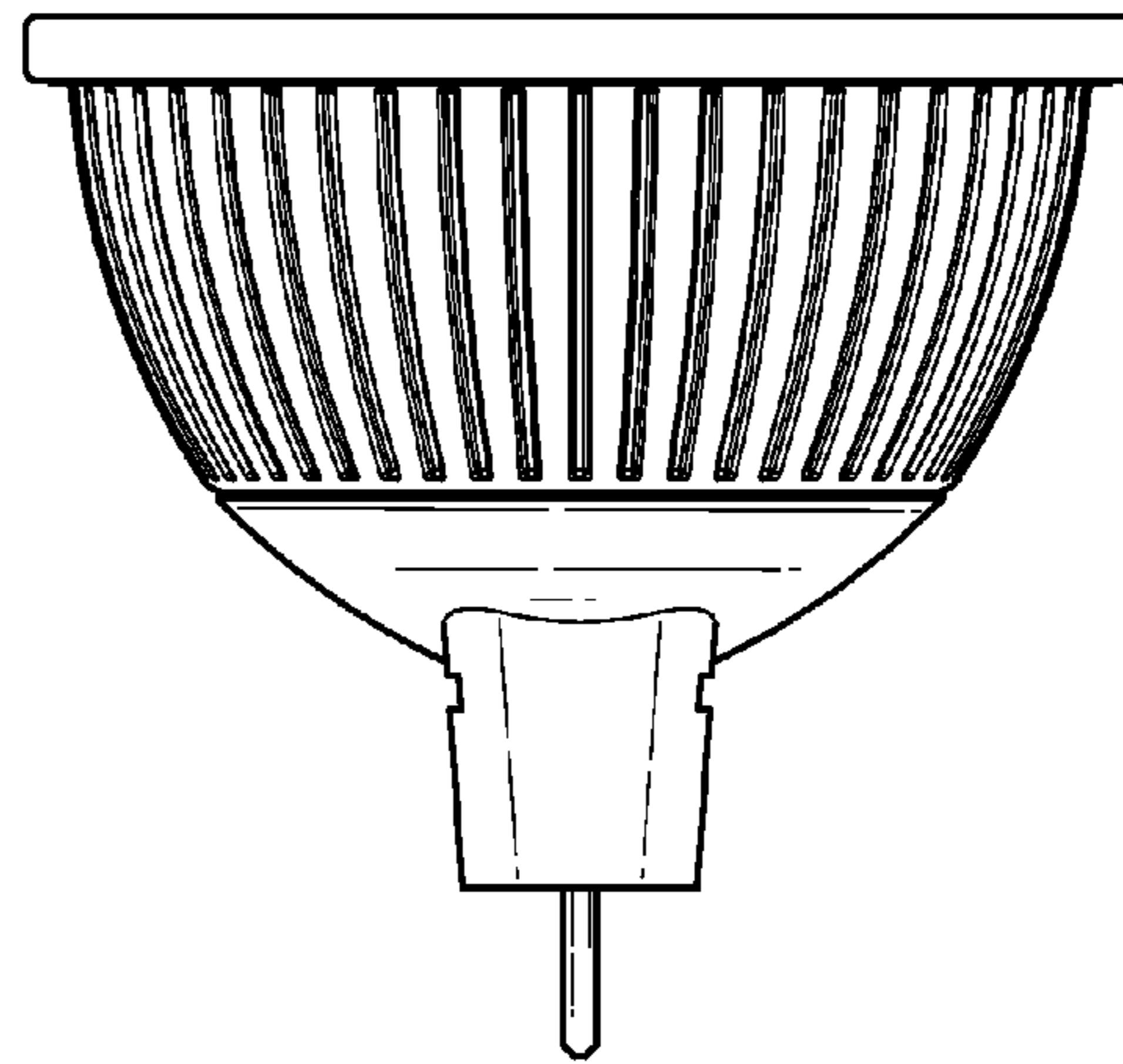


FIG.5

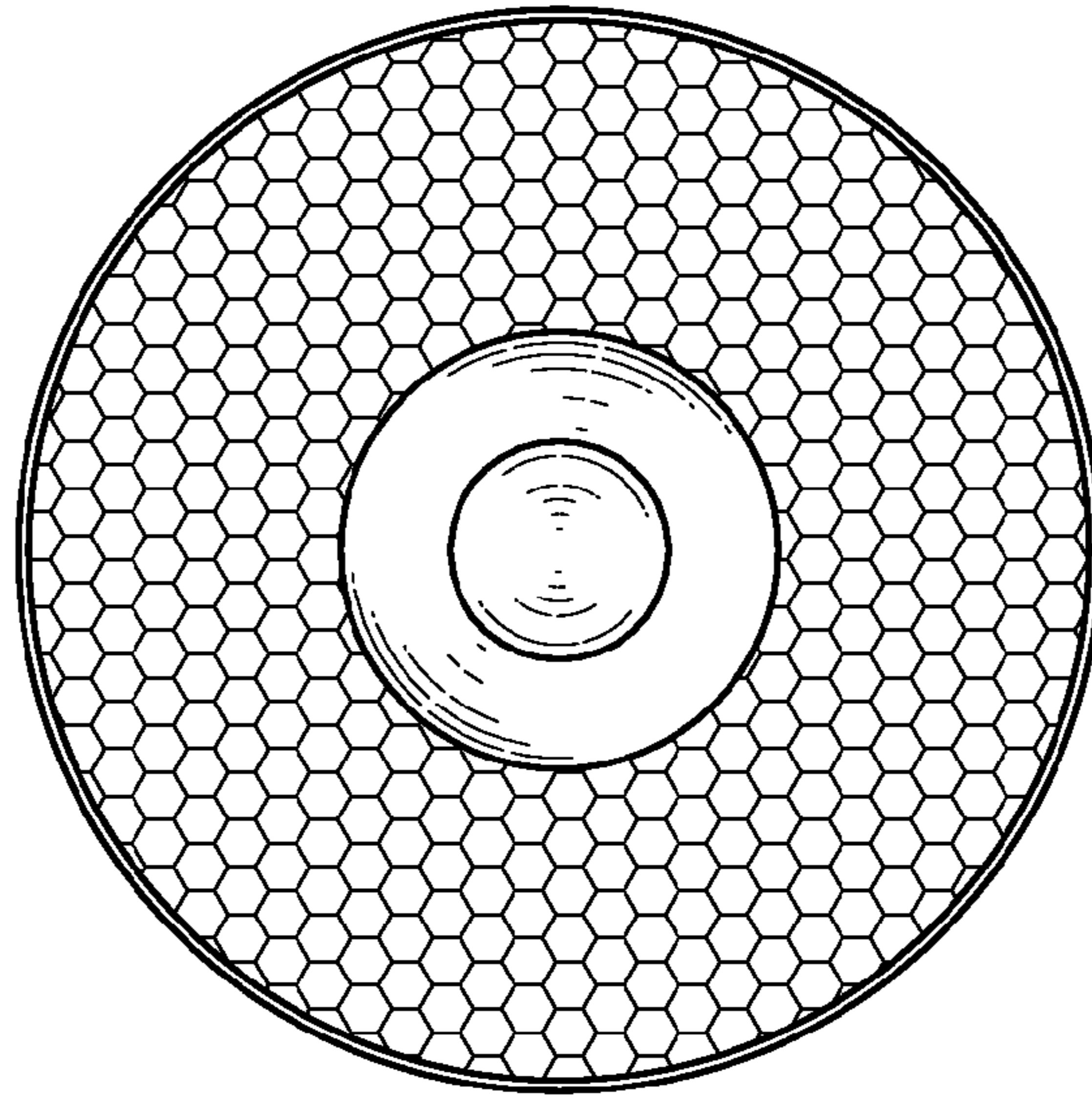


FIG. 6

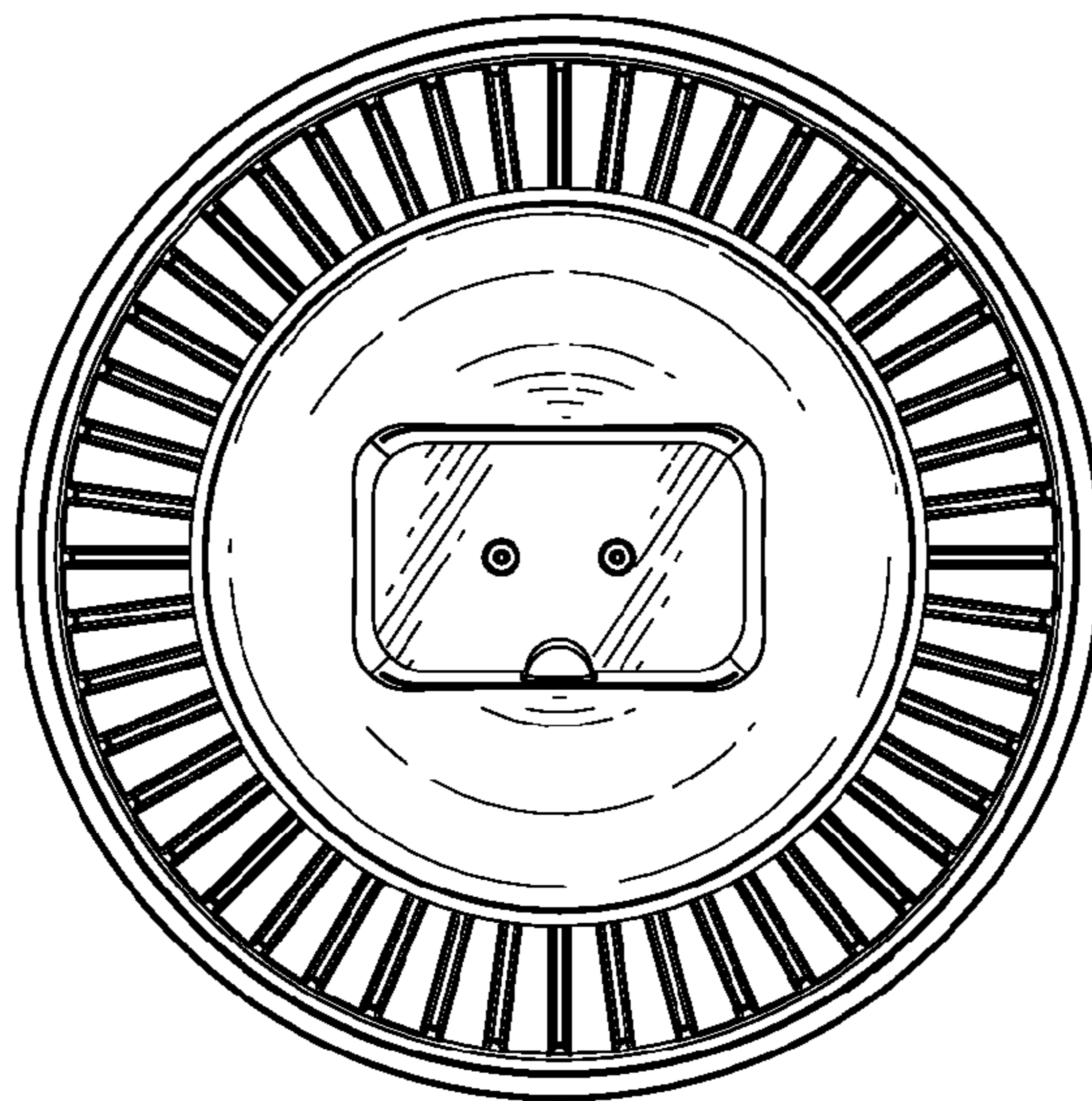


FIG. 7