



US00D587382S

(12) **United States Design Patent**
Wauhop

(10) **Patent No.:** **US D587,382 S**

(45) **Date of Patent:** **** Feb. 24, 2009**

(54) **RETAINING WALL BLOCK**

(74) *Attorney, Agent, or Firm*—Adams & Wilks

(75) **Inventor:** **Billy J. Wauhop**, Belvidere, NJ (US)

(57) **CLAIM**

(73) **Assignee:** **E. Dillon & Company**, Swords Creek, VA (US)

The ornamental design for retaining wall block, as shown and described.

(**) **Term:** **14 Years**

DESCRIPTION

(21) **Appl. No.:** **29/292,538**

FIG. 1 is a top and front perspective view of a retaining wall block showing my new design;

(22) **Filed:** **Oct. 15, 2007**

FIG. 2 is a front elevational view thereof;

(51) **LOC (9) Cl.** **25-01**

FIG. 3 is a rear elevational view thereof;

(52) **U.S. Cl.** **D25/113**

FIG. 4 is a top plan view thereof;

(58) **Field of Classification Search** D25/102,
D25/112–118; D21/484–491, 499–502;
405/16, 17, 33, 35, 284–286; 404/29–31;
52/503, 504, 574, 575, 596–605, 608, 612

FIG. 5 is a bottom plan view thereof;

See application file for complete search history.

FIG. 6 is a left side elevational view thereof, the right side being the same in appearance as the left side;

(56) **References Cited**

FIG. 7 is a front elevational view of a retaining wall block showing a second embodiment of my new design;

U.S. PATENT DOCUMENTS

FIG. 8 is a top plan view of the retaining wall block shown in FIG. 7;

D184,747 S *	3/1959	Livesay	D25/115
D343,461 S *	1/1994	Powell	D25/114
D347,070 S *	5/1994	Anderson et al.	D25/114
5,711,129 A *	1/1998	Woolford	52/604
D445,512 S *	7/2001	Sievert	D25/113
D459,487 S *	6/2002	Bott	D25/118
D467,009 S *	12/2002	Agee	D25/113
6,821,058 B1 *	11/2004	Dawson	405/284
D501,935 S *	2/2005	Dawson et al.	D25/118
D530,832 S *	10/2006	Rainey	D25/114
D539,436 S *	3/2007	Magliocco et al.	D25/113

FIG. 9 is a bottom plan view of the retaining wall block shown in FIG. 7;

FIG. 10 is a front elevational view of a retaining wall block showing a third embodiment of my new design;

FIG. 11 is a top plan view of the retaining wall block shown in FIG. 10; and,

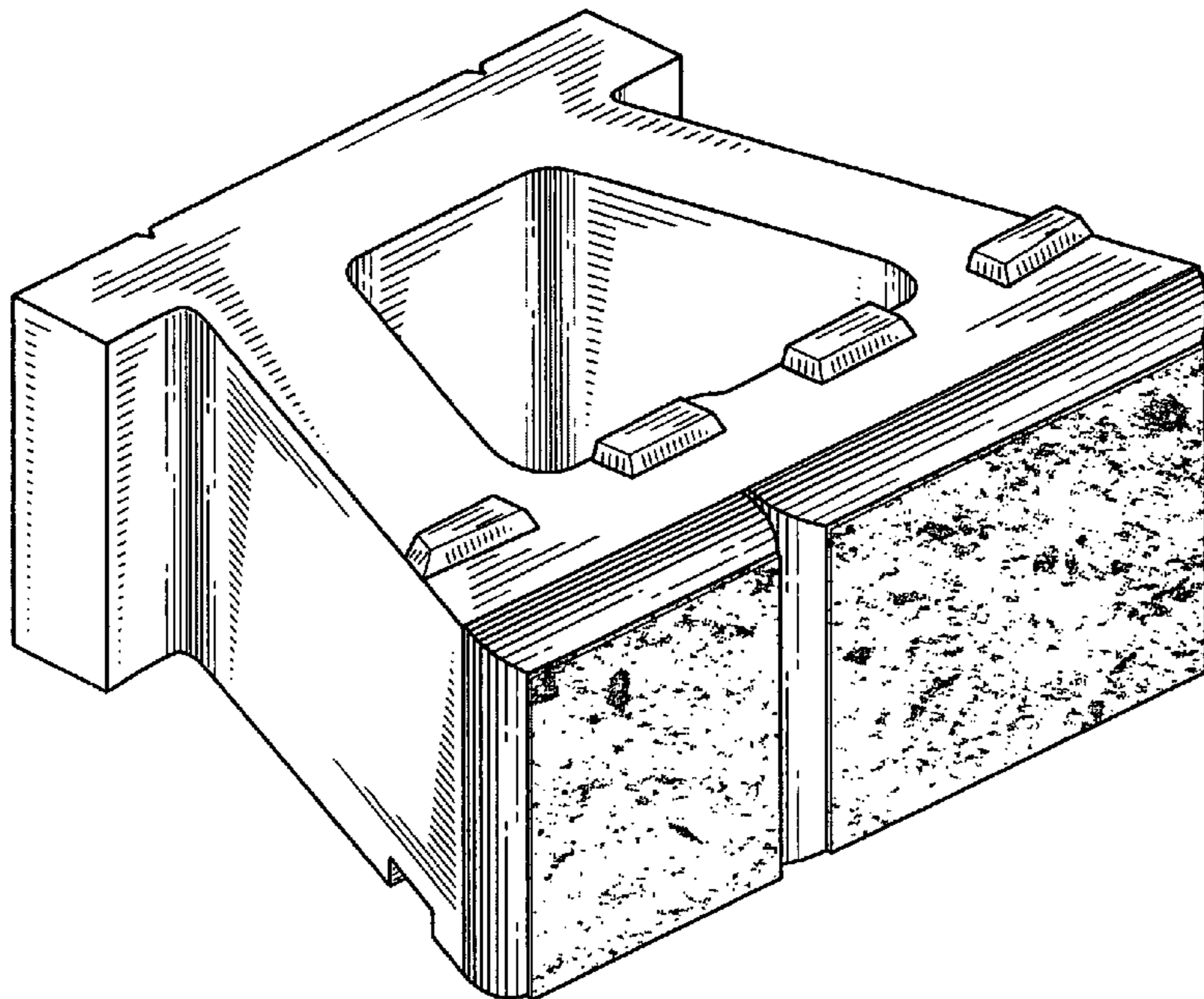
FIG. 12 is a bottom plan view of the retaining wall block shown in FIG. 10.

* cited by examiner

The rear, left side and right side elevational views of the second and third embodiments are the same as those of the first embodiment.

Primary Examiner—Louis S Zarfes
Assistant Examiner—Anhdao Doan

1 Claim, 6 Drawing Sheets



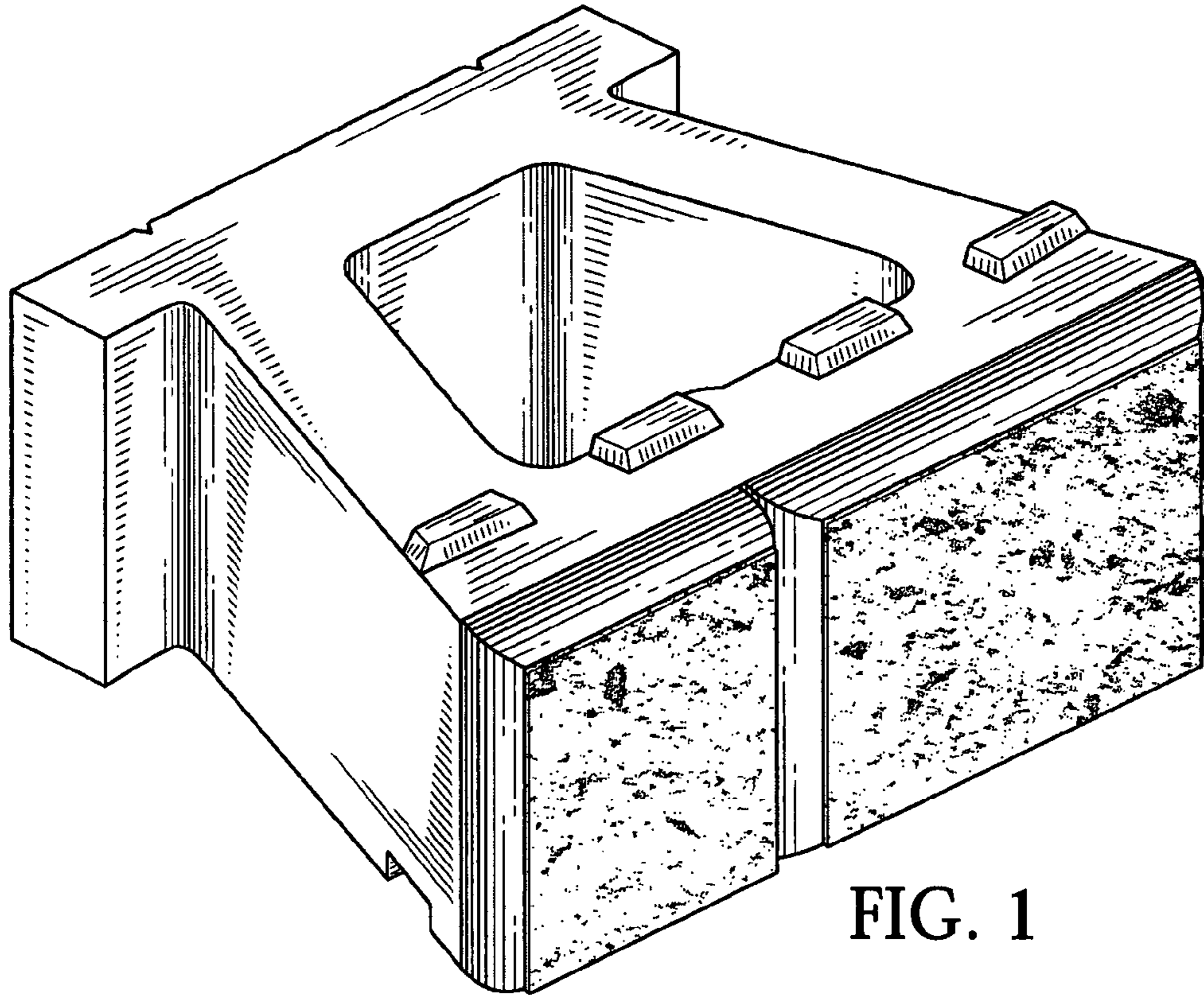


FIG. 1

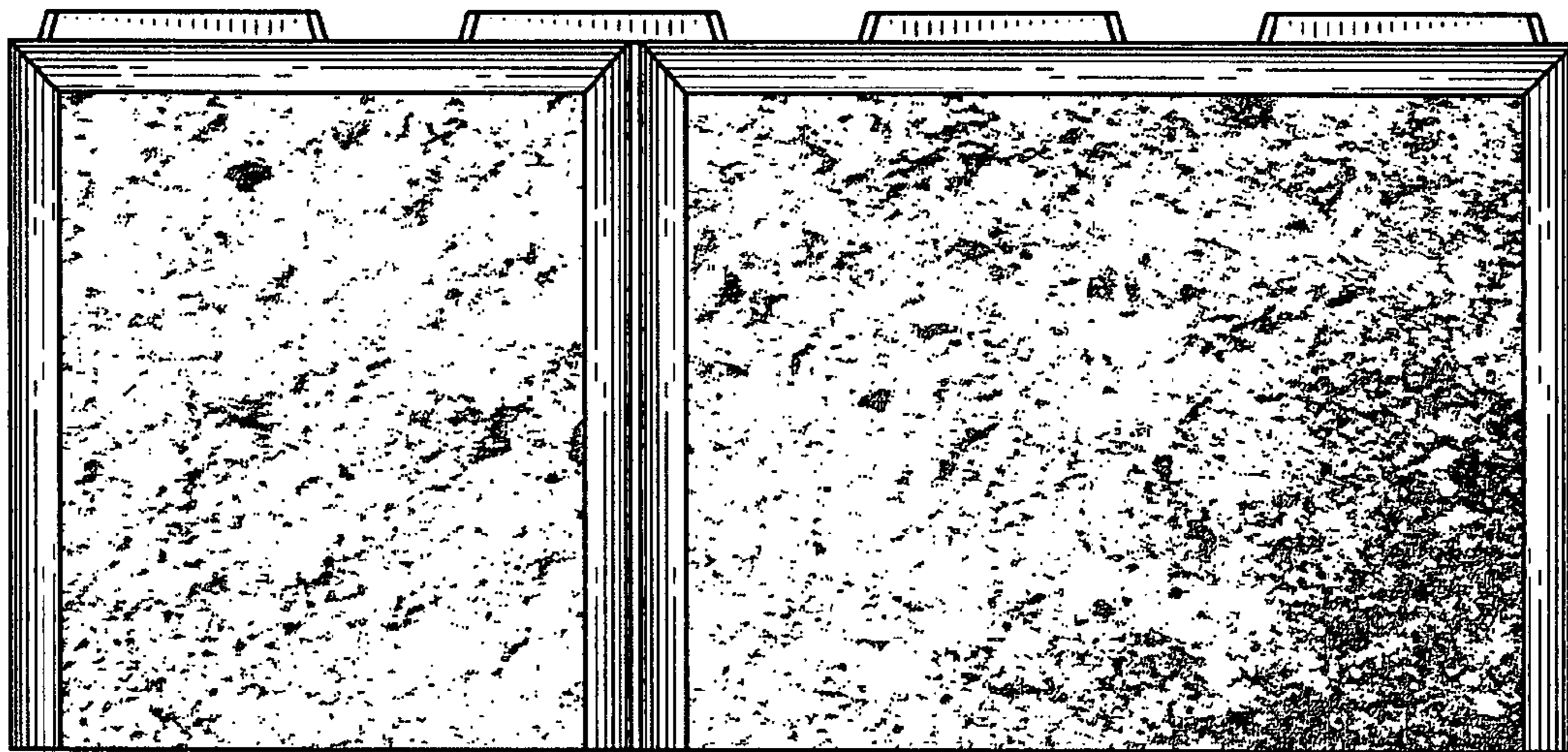


FIG. 2

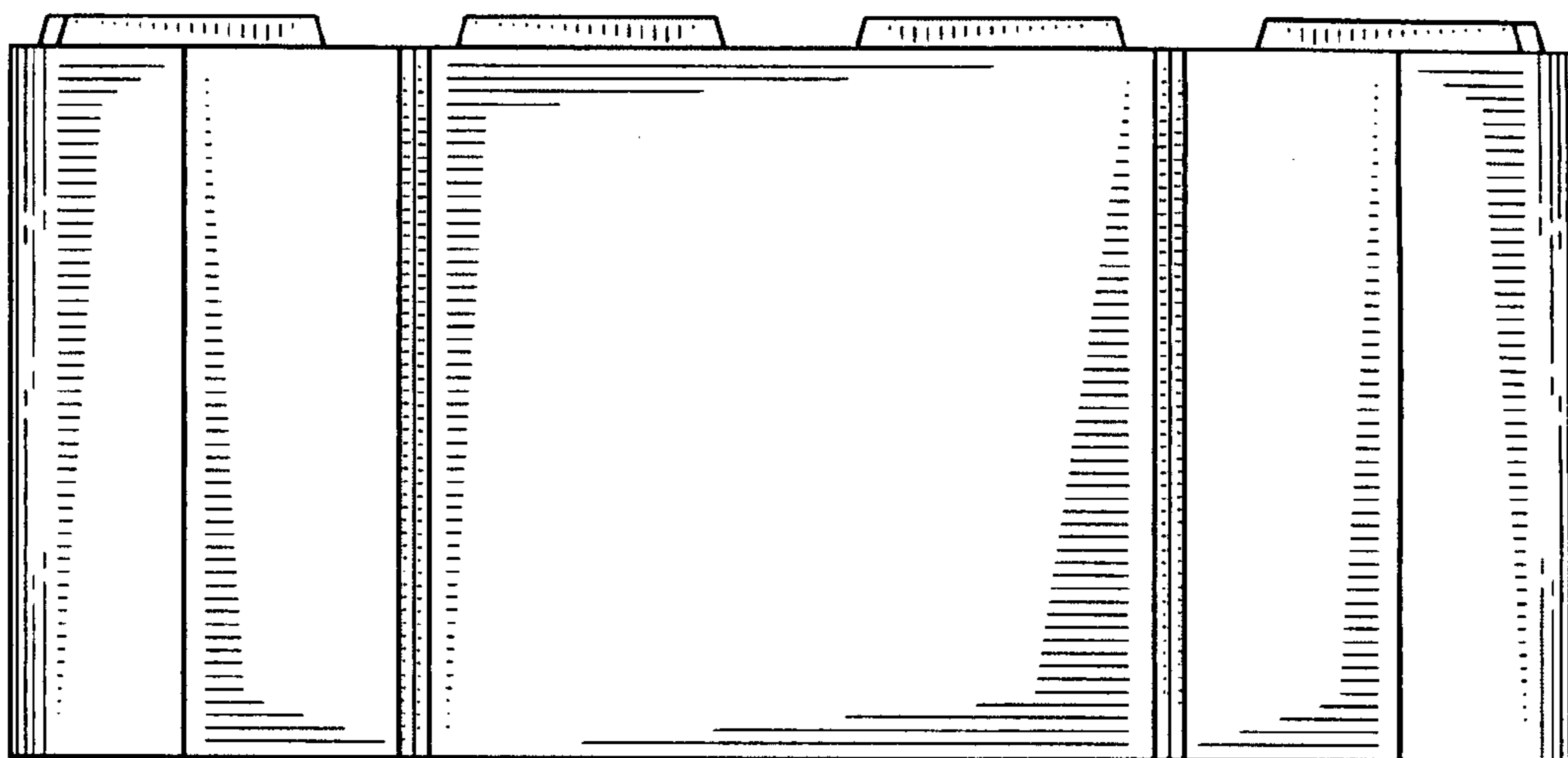


FIG. 3

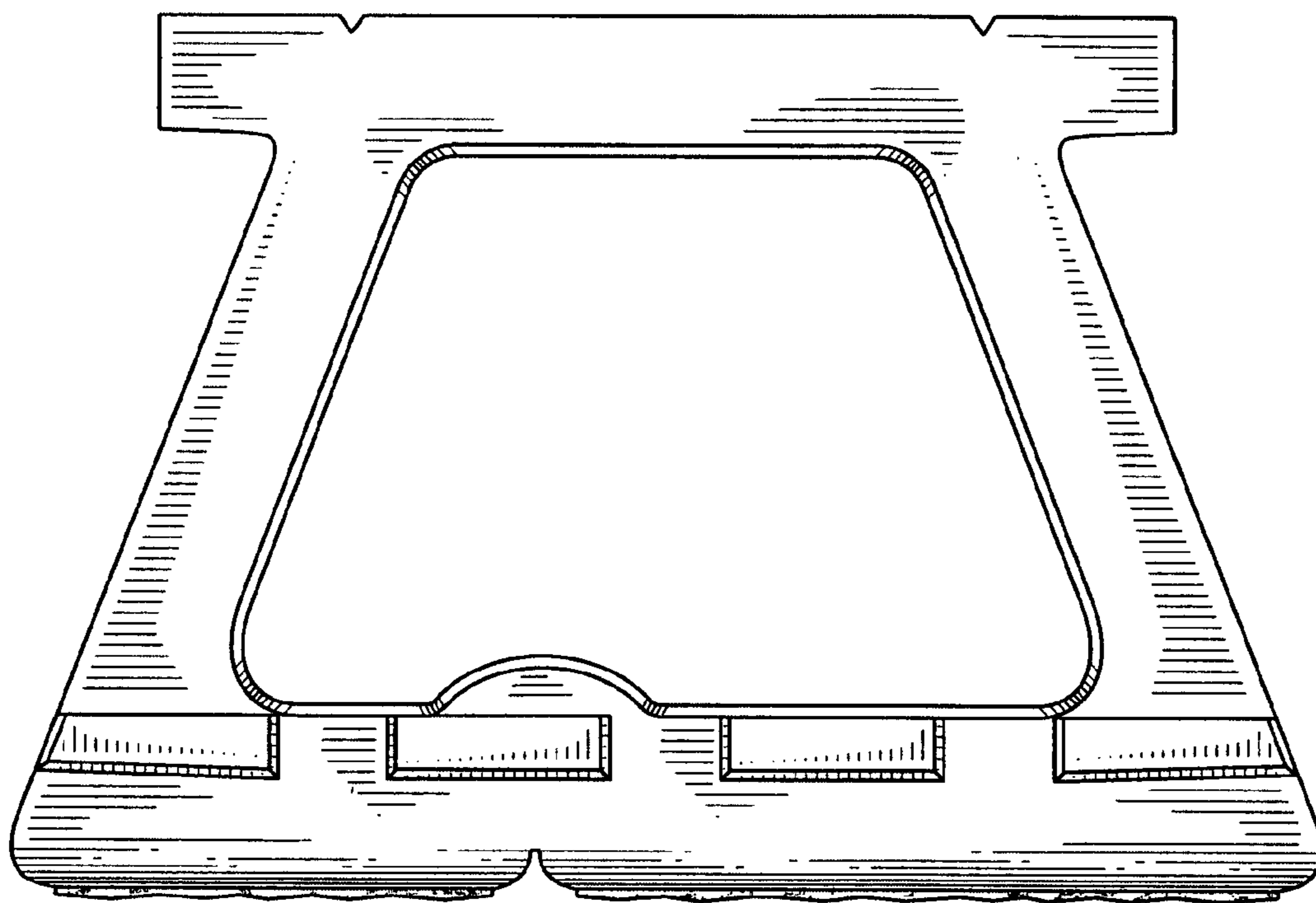


FIG. 4

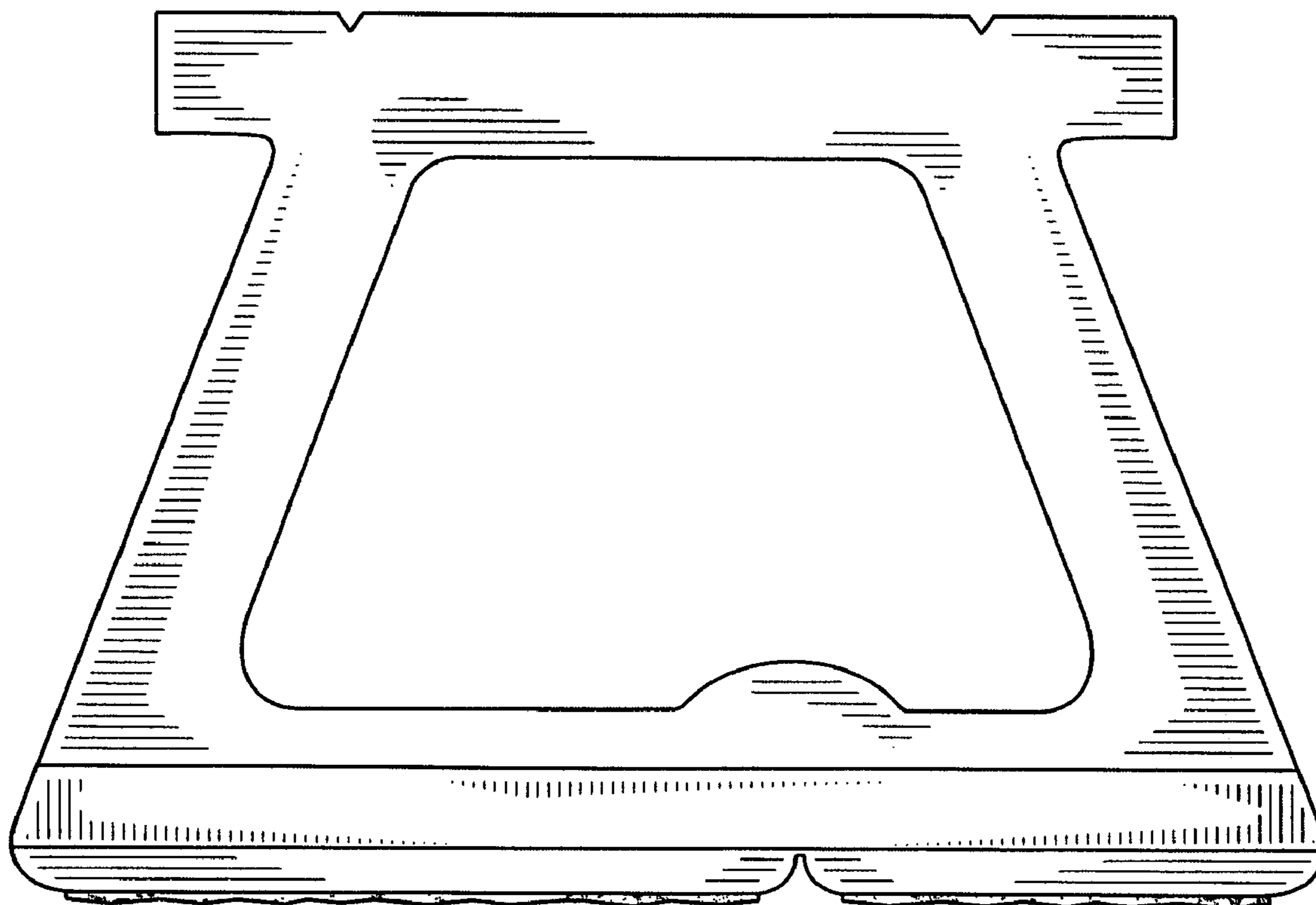


FIG. 5

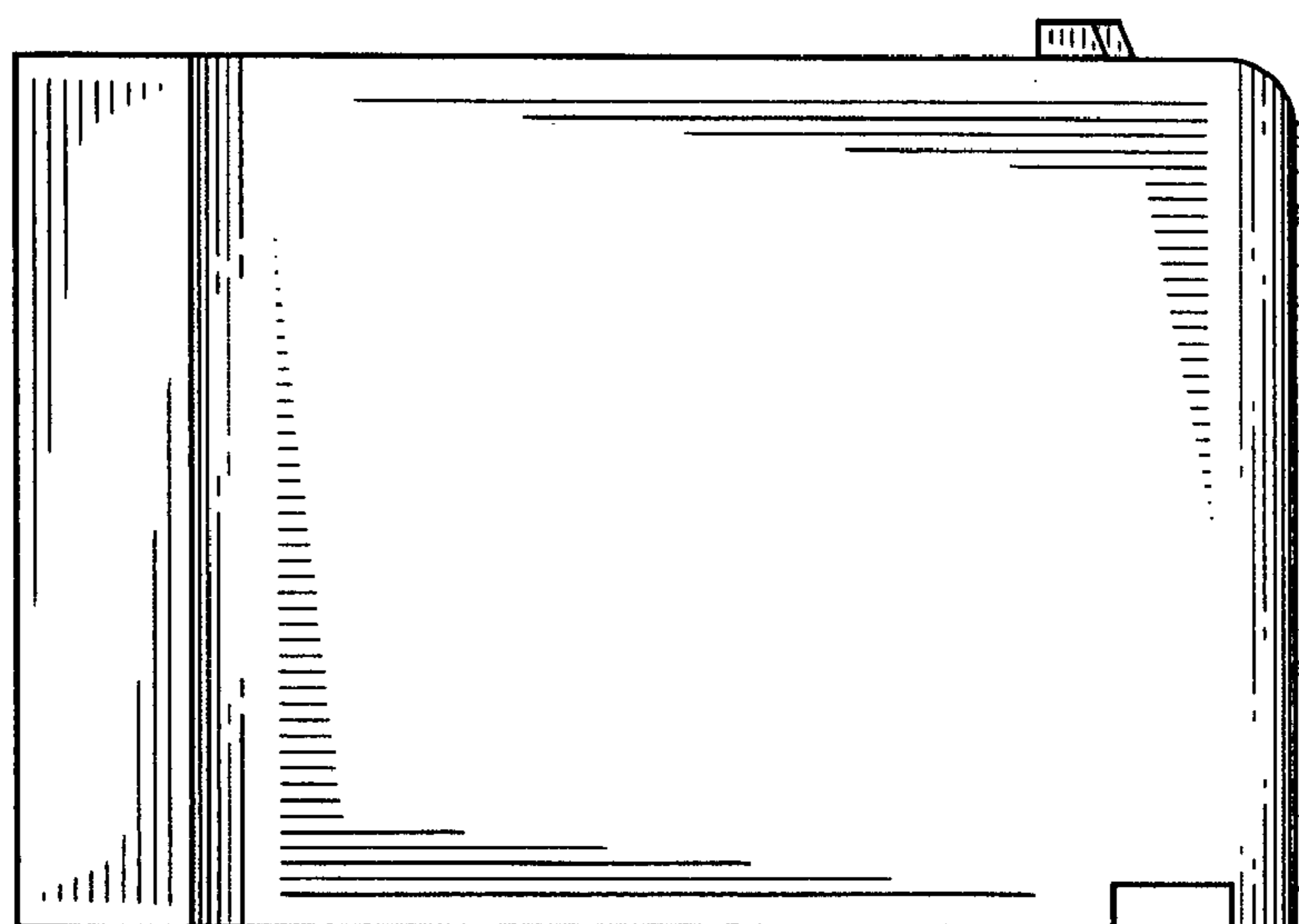


FIG. 6

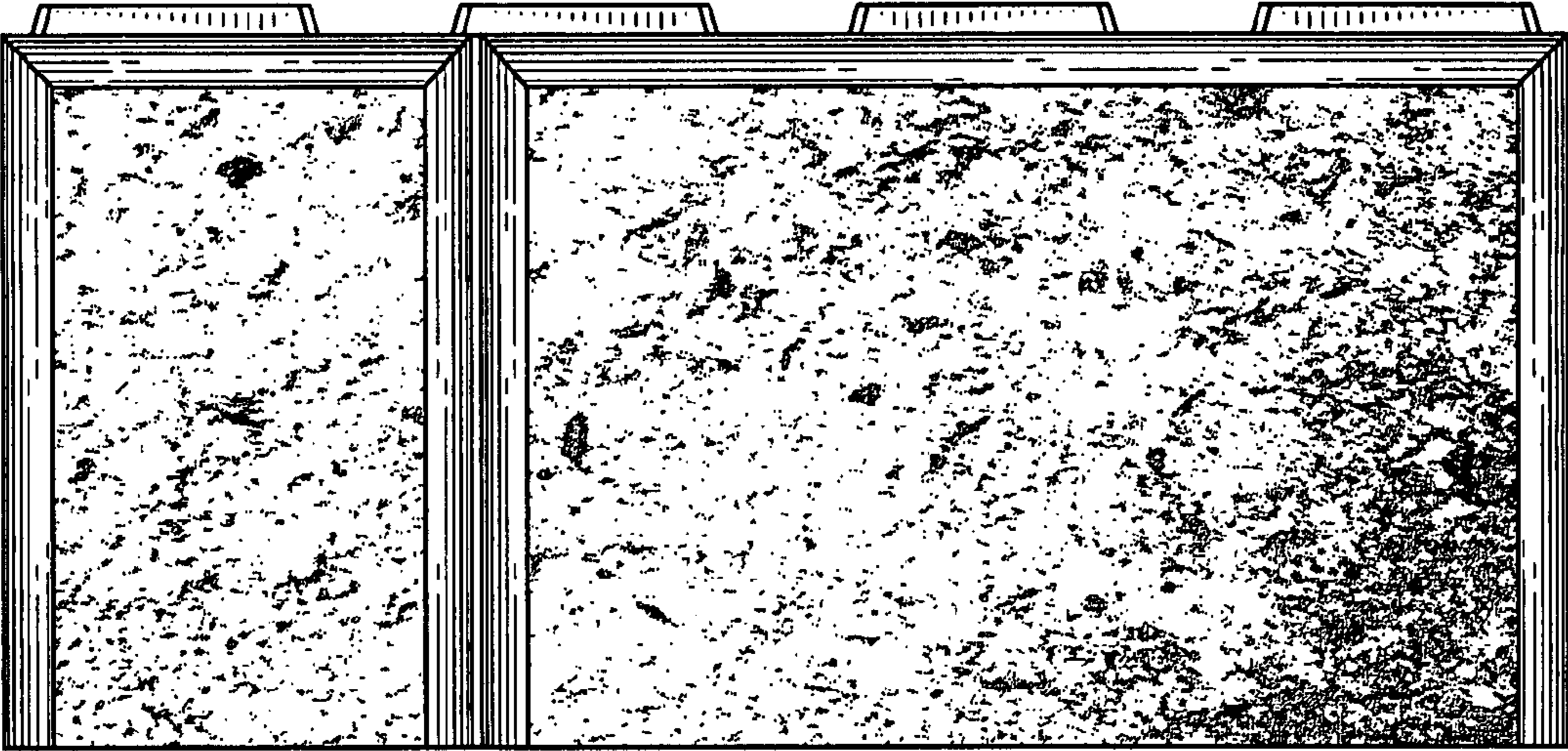


FIG. 7

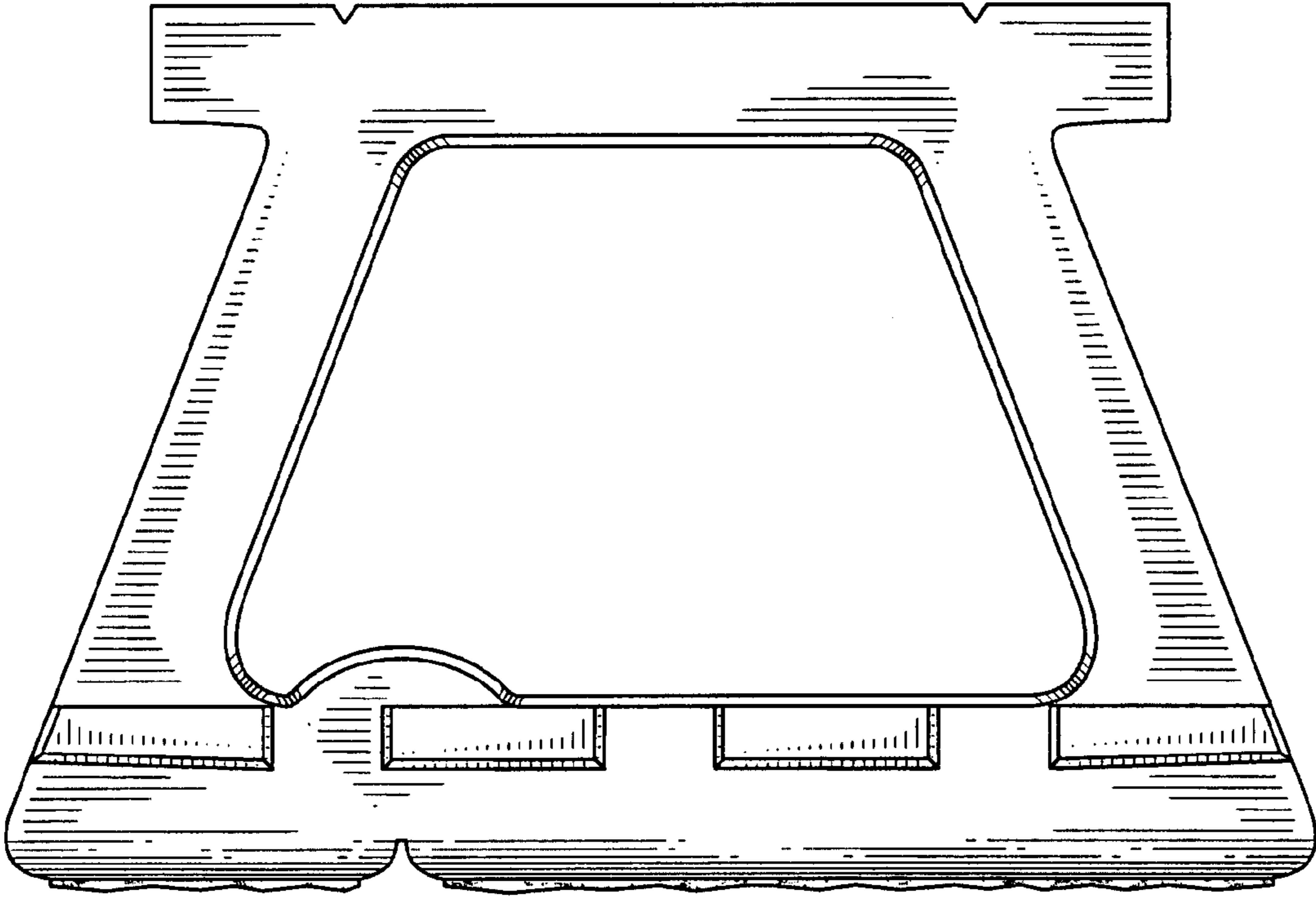


FIG. 8

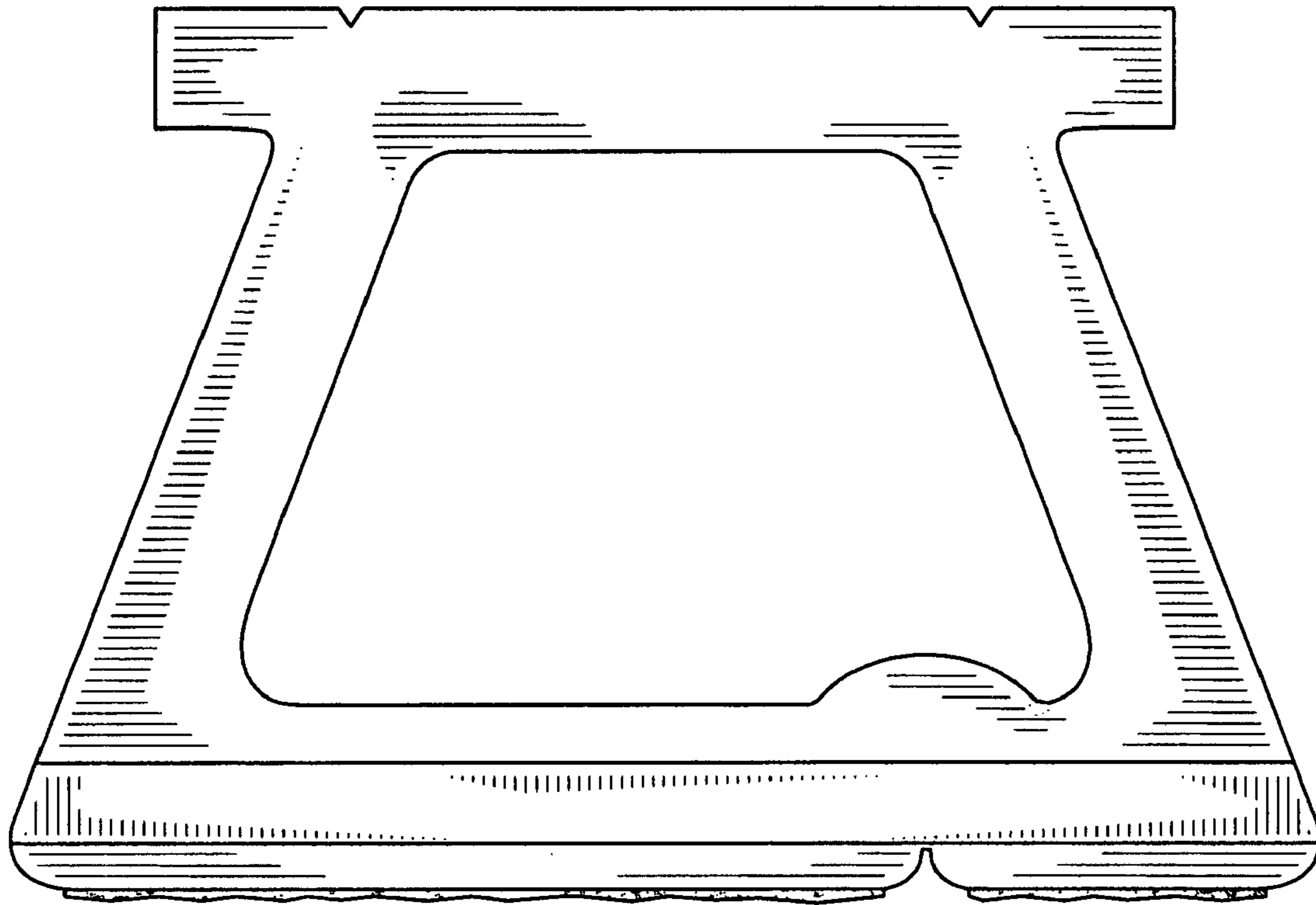


FIG. 9

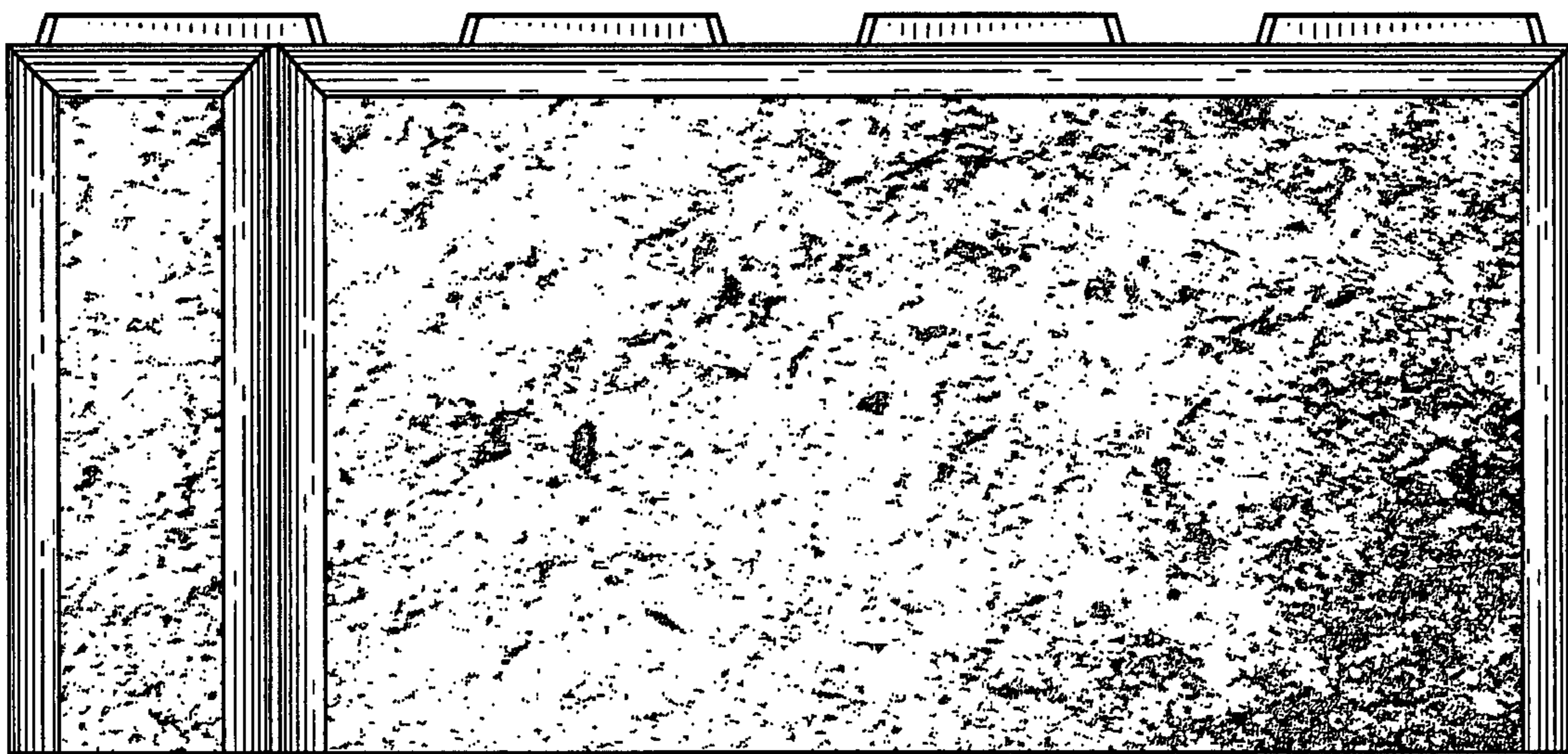


FIG. 10

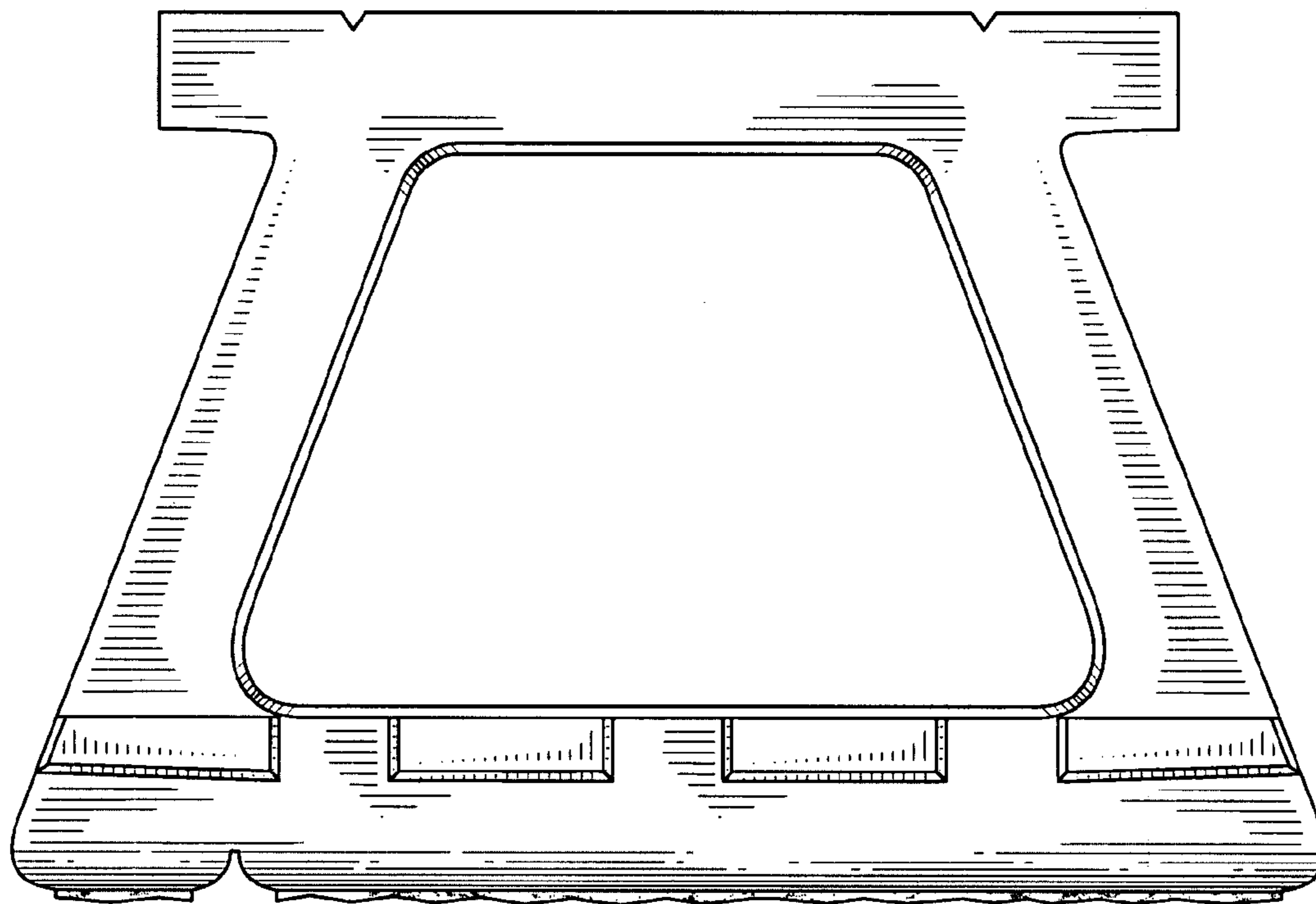


FIG. 11

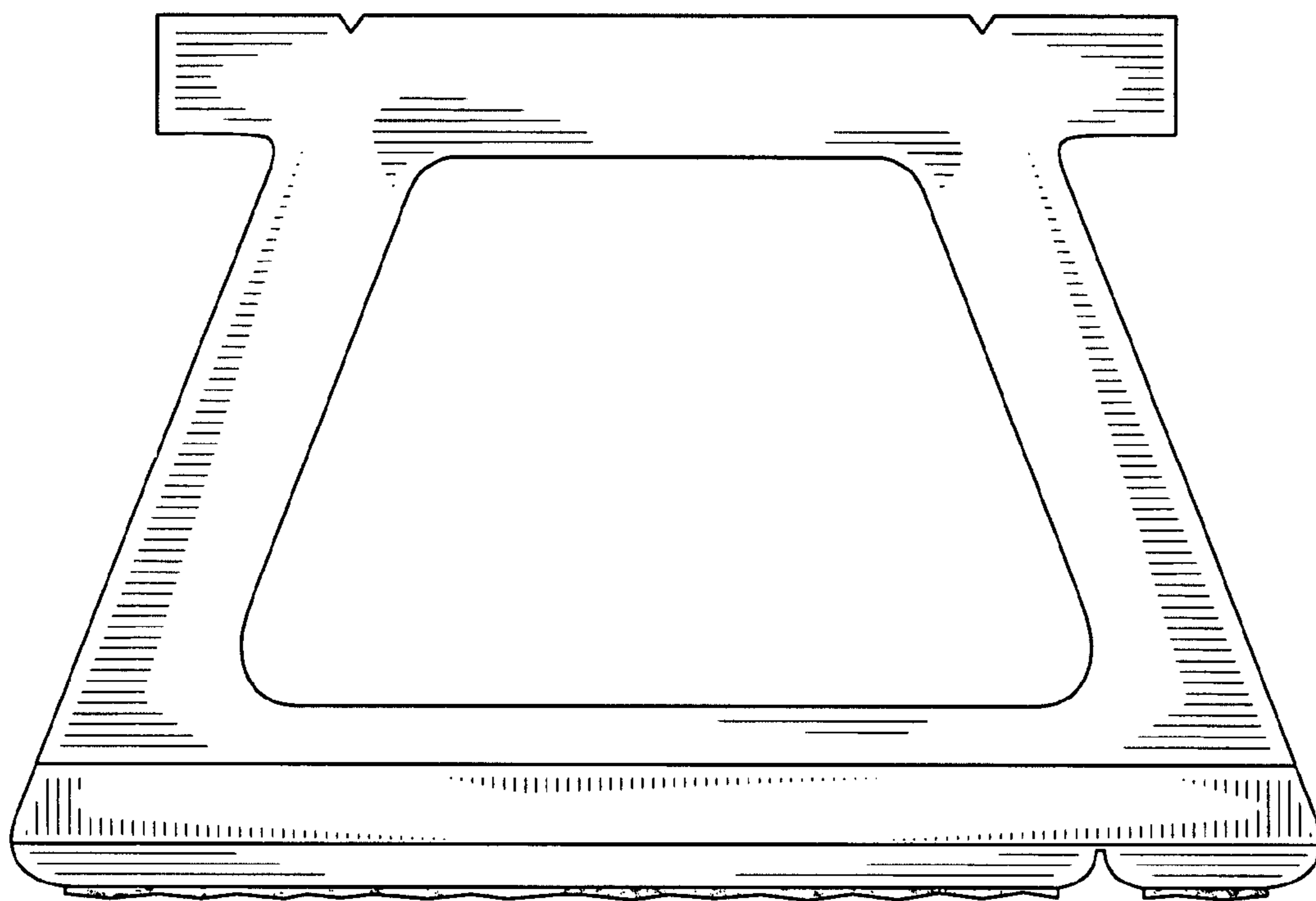


FIG. 12