



US00D587381S

(12) **United States Design Patent**
McIntosh

(10) **Patent No.:** **US D587,381 S**

(45) **Date of Patent:** **** Feb. 24, 2009**

(54) **LANDSCAPING BLOCK**

(75) Inventor: **Robert Gordon McIntosh**, Abbotsford (CA)

(73) Assignee: **Pacific Fence-Crete Ltd.**, Aldergrove, BC (CA)

(**) Term: **14 Years**

(21) Appl. No.: **29/290,012**

(22) Filed: **Oct. 11, 2007**

(51) **LOC (9) Cl.** **25-01**

(52) **U.S. Cl.** **D25/113**

(58) **Field of Classification Search** D25/102,
D25/112-118, 158; D21/484-486, 490,
D21/491, 493, 500-503; 405/16, 284, 286;
52/102, 574, 596-612

See application file for complete search history.

(56) **References Cited**

U.S. PATENT DOCUMENTS

4,068,482 A	1/1978	Hilfiker	
D250,898 S *	1/1979	Schuring	D25/113
D252,951 S *	9/1979	Schuring	D25/113
D299,068 S *	12/1988	McSorley et al.	D25/117
4,815,897 A	3/1989	Risi et al.	
D313,280 S	12/1990	Rodenburgh et al.	
D336,140 S	6/1993	Lavery	
D336,341 S	6/1993	Van Steenlandt	
D340,996 S	11/1993	Woolbright	
D347,285 S	5/1994	Woolbright	
5,337,527 A *	8/1994	Wagenaar	52/169.2
D352,560 S *	11/1994	Lin	D25/118
5,372,676 A	12/1994	Lowe	
D362,311 S	9/1995	Cataldo	
D370,272 S	5/1996	Risi et al.	
5,601,384 A	2/1997	Dawson	
5,622,456 A	4/1997	Risi et al.	
D381,437 S	7/1997	Browning	
D382,349 S	8/1997	Hinton	
D386,265 S *	11/1997	Ellington	D25/113
5,800,095 A	9/1998	Egan	

5,913,790 A	6/1999	Dawson	
D464,149 S	10/2002	Risi et al.	
D464,440 S	10/2002	Risi et al.	
D465,855 S	11/2002	Risi et al.	
D466,228 S	11/2002	Hammer	
D466,229 S	11/2002	Risi et al.	
D466,619 S	12/2002	Britton	
D468,449 S	1/2003	Britton	
6,536,994 B2	3/2003	Race	
6,651,401 B2	11/2003	Price et al.	
D485,371 S	1/2004	Burgess et al.	
6,854,220 B2	2/2005	Dueck et al.	
D509,910 S	9/2005	Risi et al.	
D510,144 S	9/2005	Risi et al.	
D511,579 S *	11/2005	Risi et al.	D25/113
D511,846 S	11/2005	Evans	
6,978,580 B1	12/2005	Clark et al.	
D516,734 S	3/2006	Keys et al.	
D517,221 S	3/2006	Keys et al.	
7,096,635 B2	8/2006	Price et al.	
D546,972 S	7/2007	Price	
7,244,079 B1	7/2007	Blomquist et al.	
D548,365 S	8/2007	Price	
2003/0012608 A1	1/2003	Race	
2005/0069389 A1	3/2005	Shaw	
2006/0283128 A1	12/2006	Price et al.	

OTHER PUBLICATIONS

Allan Block, www.allanblock.com/RetainingWalls/Literature/LandscapeWallsGuide2006.pdf, "Landscape Walls, Plan, Design & Build", 44 pages.

"Build Stackable or Segmental Retaining Walls", Tim Carter, 1993-2007, http://www.askthebuilder.com/128_Stackable_amp_Segmental_Retaining_Walls.shtml, 3 pages.

Redi-Rock International Newsletter, Jan. 2003, 2 pages.

"Form Usage", Brochure, Stone Strong Systems, pp. 3-4, May 14, 2003.

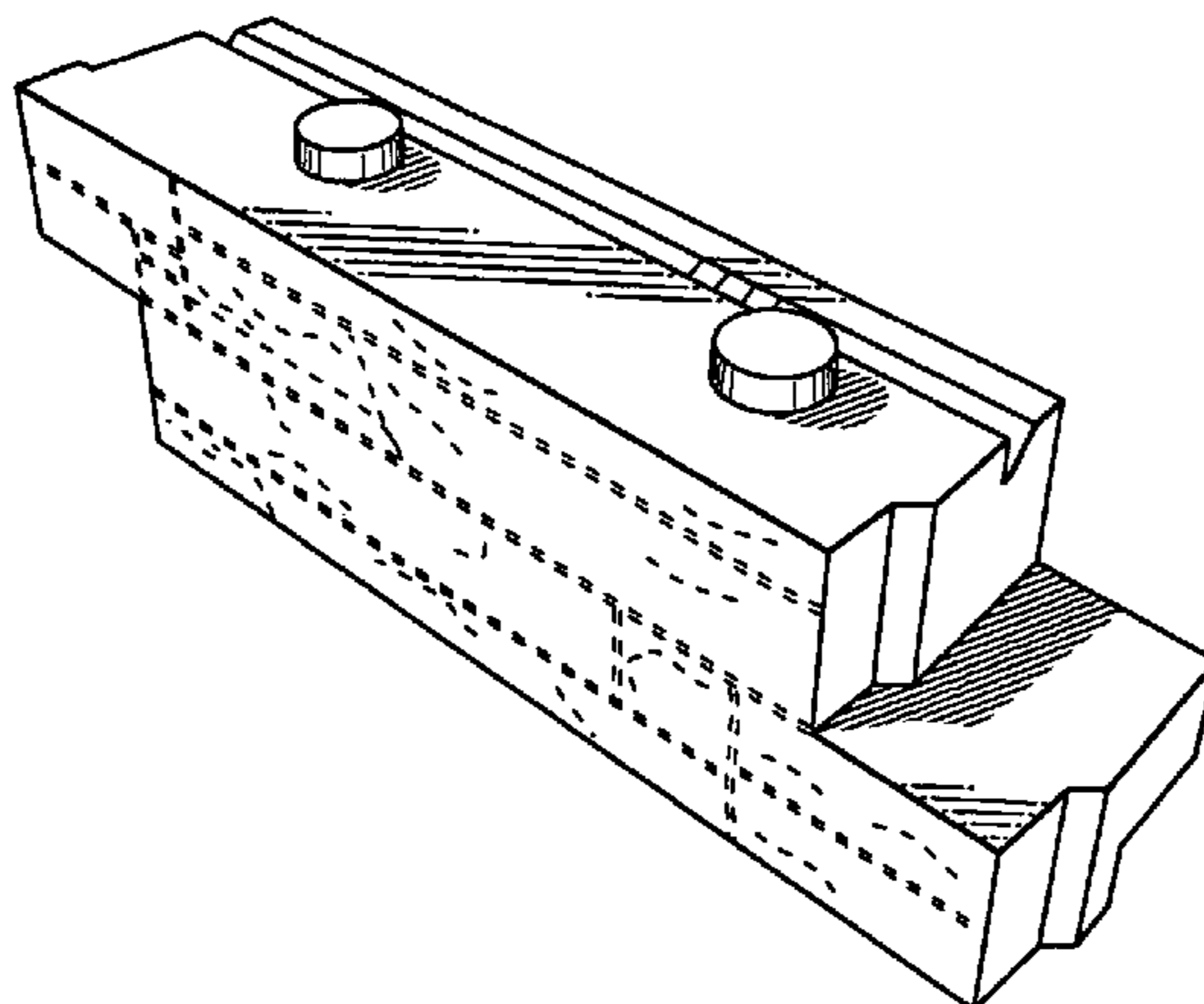
"Typical Details" Engineering Drawings, Thiele Geotech, Inc., Stone Strong Systems, Apr. 11, 2003, 2 pages.

"Typical Details" Engineering Drawings, Thiele Geotech, Inc., Stone Strong Systems, Apr. 30, 2003, 7 pages.

"Typical Details" Engineering Drawings, Thiele Geotech, Inc., Stone Strong Systems, May 6, 2003, 1 page.

"Keybrick comes to North America", MC Magazine, Jan./Feb. 2005, p. 72.

* cited by examiner



Primary Examiner—Louis S Zarfes
Assistant Examiner—Anhdao Doan

(57)

CLAIM

The ornamental design for landscaping block, as shown and described.

DESCRIPTION

FIG. 1 is a pictorial view of a landscaping block according to my new design;

FIG. 2 is a front elevation of the landscaping block of FIG. 1;

FIG. 3 is a top elevation of the landscaping block of FIG. 1;

FIG. 4 is a left side elevation of the landscaping block of FIG. 1;

FIG. 5 is a right side elevation of the landscaping block of FIG. 1;

FIG. 6 is a rear view of the landscaping block of FIG. 1;

FIG. 7 is a bottom view of the landscaping block of FIG. 1.

FIG. 8 is a pictorial view of a landscaping block according to a first variant of my new design;

FIG. 9 is a front elevation of the landscaping block of FIG. 8;

FIG. 10 is a top elevation of the landscaping block of FIG. 8;

FIG. 11 is a left side elevation of the landscaping block of FIG. 8;

FIG. 12 is a right side elevation of the landscaping block of FIG. 8;

FIG. 13 is a rear view of the landscaping block of FIG. 8;

FIG. 14 is a bottom view of the landscaping block of FIG. 8.

FIG. 15 is a pictorial view of a landscaping block according to a second variant of my new design;

FIG. 16 is a front elevation of the landscaping block of FIG. 15;

FIG. 17 is a top elevation of the landscaping block of FIG. 15;

FIG. 18 is a left side elevation of the landscaping block of FIG. 15;

FIG. 19 is a right side elevation of the landscaping block of FIG. 15;

FIG. 20 is a rear view of the landscaping block of FIG. 15;

FIG. 21 is a bottom view of the landscaping block of FIG. 15.

FIG. 22 is a pictorial view of a landscaping block according to a third variant of my new design;

FIG. 23 is a front elevation of the landscaping block of FIG. 22;

FIG. 24 is a top elevation of the landscaping block of FIG. 22;

FIG. 25 is a right side elevation of the landscaping block of FIG. 22;

FIG. 26 is a left side elevation of the landscaping block of FIG. 22;

FIG. 27 is a rear view of the landscaping block of FIG. 22;

FIG. 28 is a bottom view of the landscaping block of FIG. 22.

FIG. 29 is a pictorial view of a landscaping block according to a fourth variant of my new design;

FIG. 30 is a front elevation of the landscaping block of FIG. 29;

FIG. 31 is a top elevation of the landscaping block of FIG. 29;

FIG. 32 is a left side elevation of the landscaping block of FIG. 29;

FIG. 33 is a right side elevation of the landscaping block of FIG. 29;

FIG. 34 is a rear view of the landscaping block of FIG. 29; and,

FIG. 35 is a bottom view of the landscaping block of FIG. 29.

The broken line showing of the environment is for illustrative purposes only and forms no part of the claimed design.

1 Claim, 15 Drawing Sheets

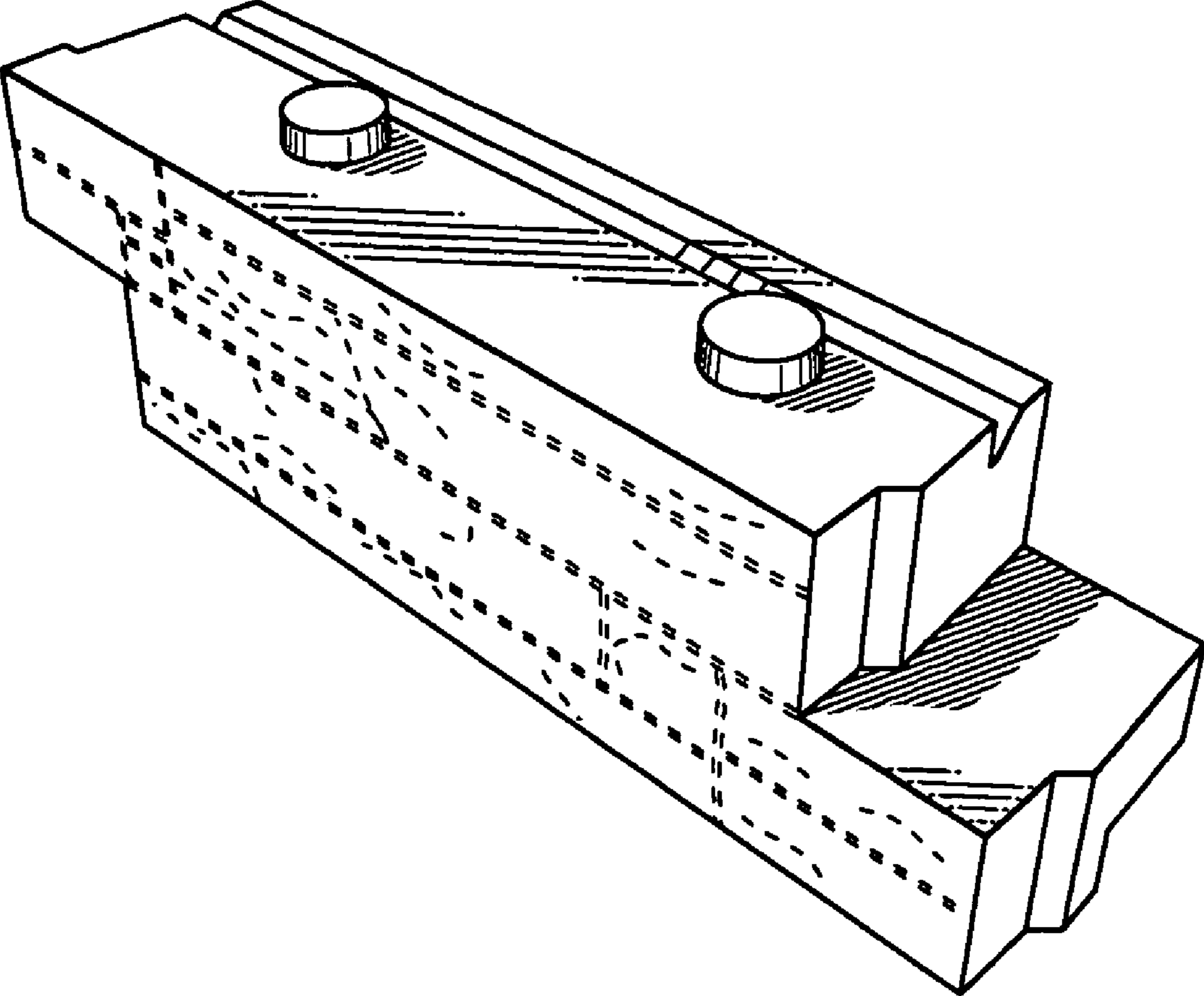


FIG. 1

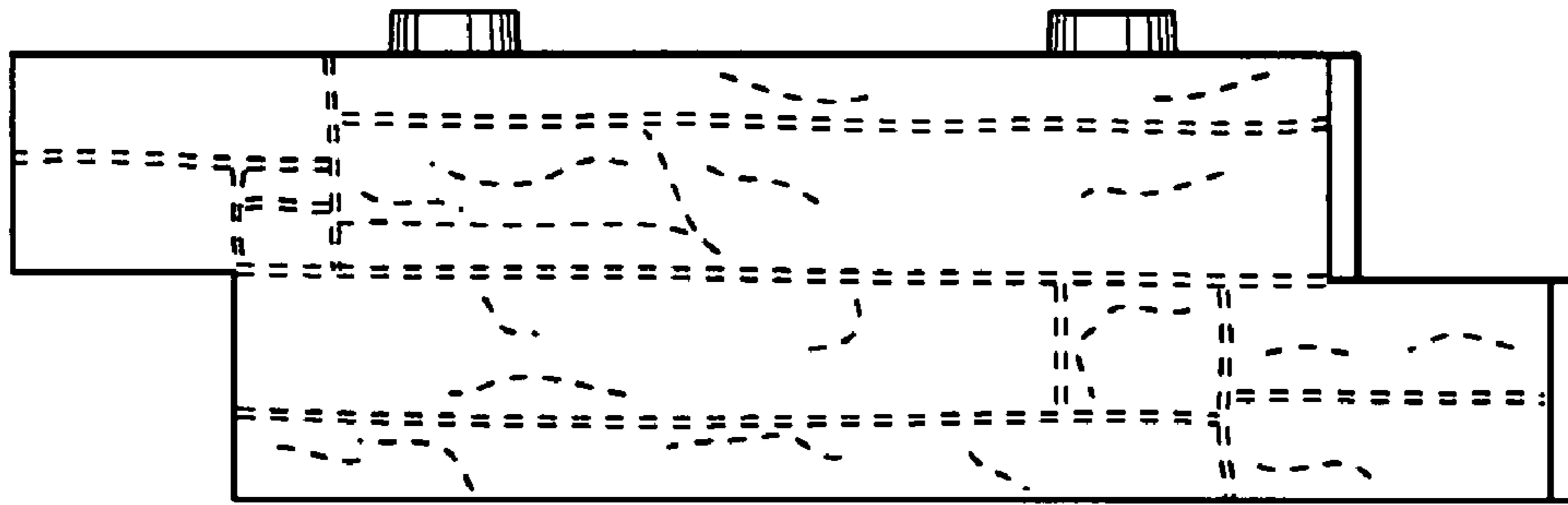


FIG. 2

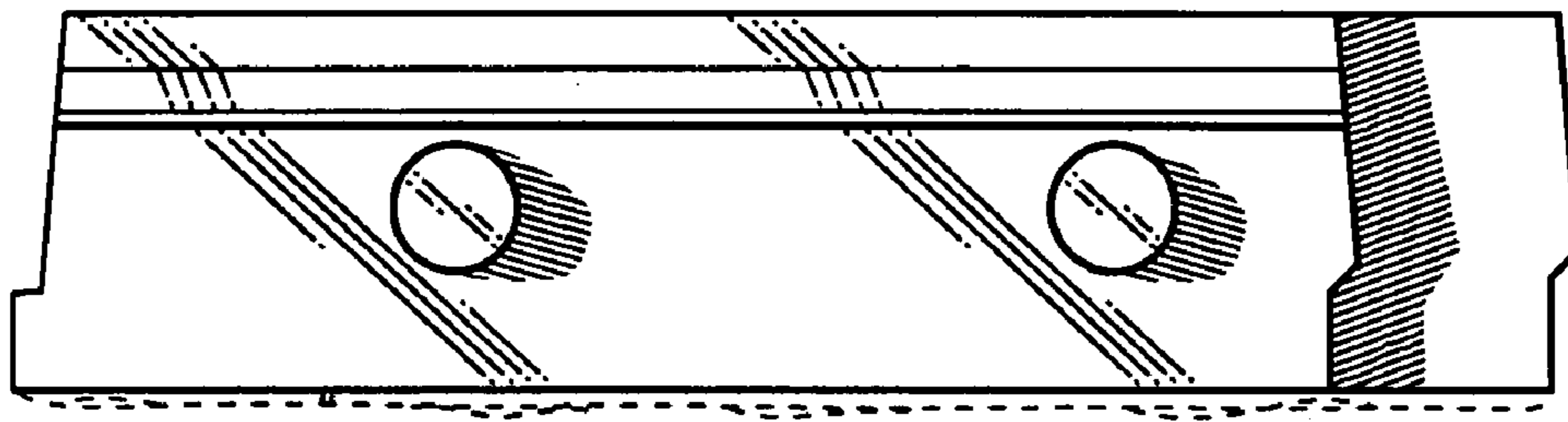


FIG. 3

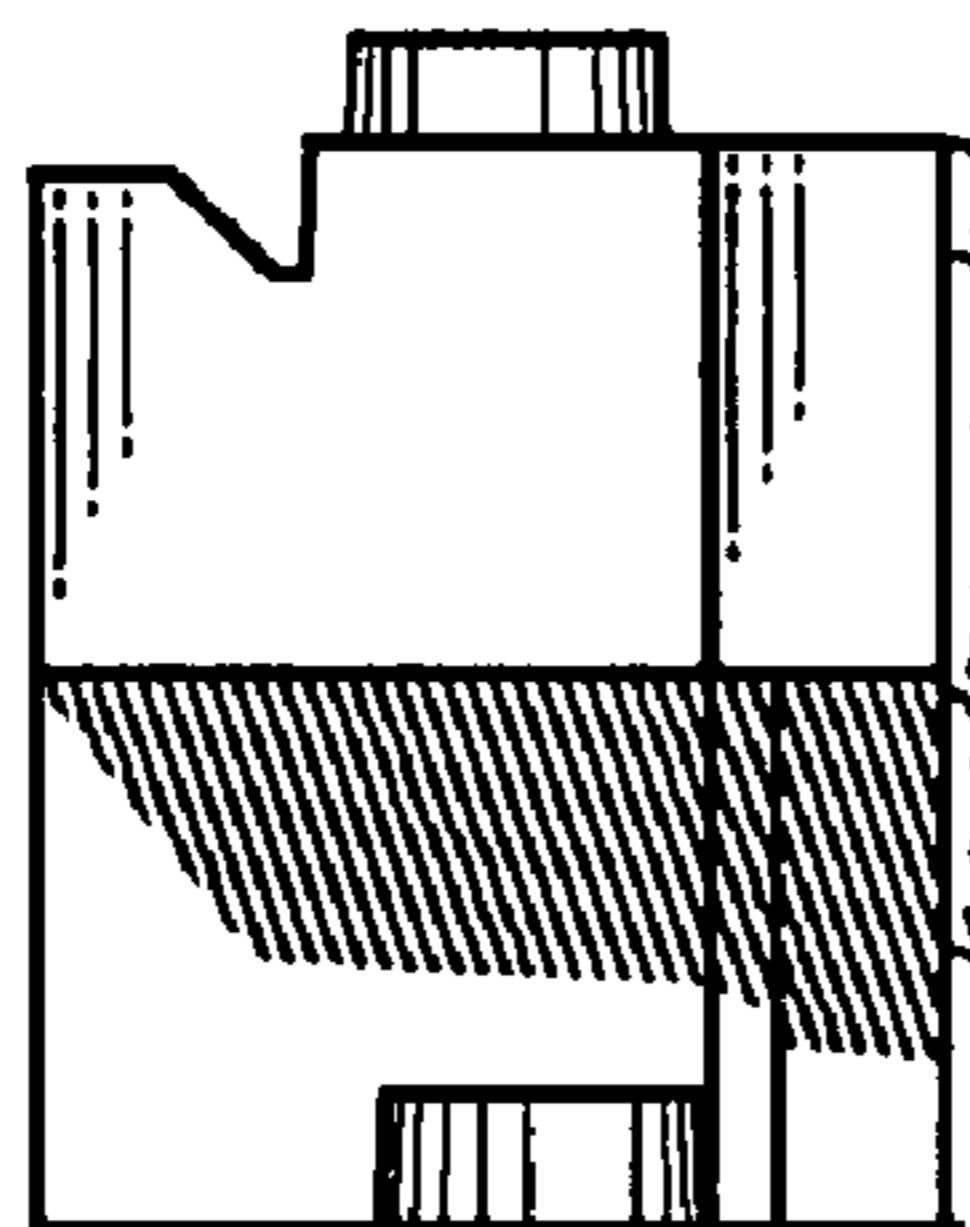


FIG. 4

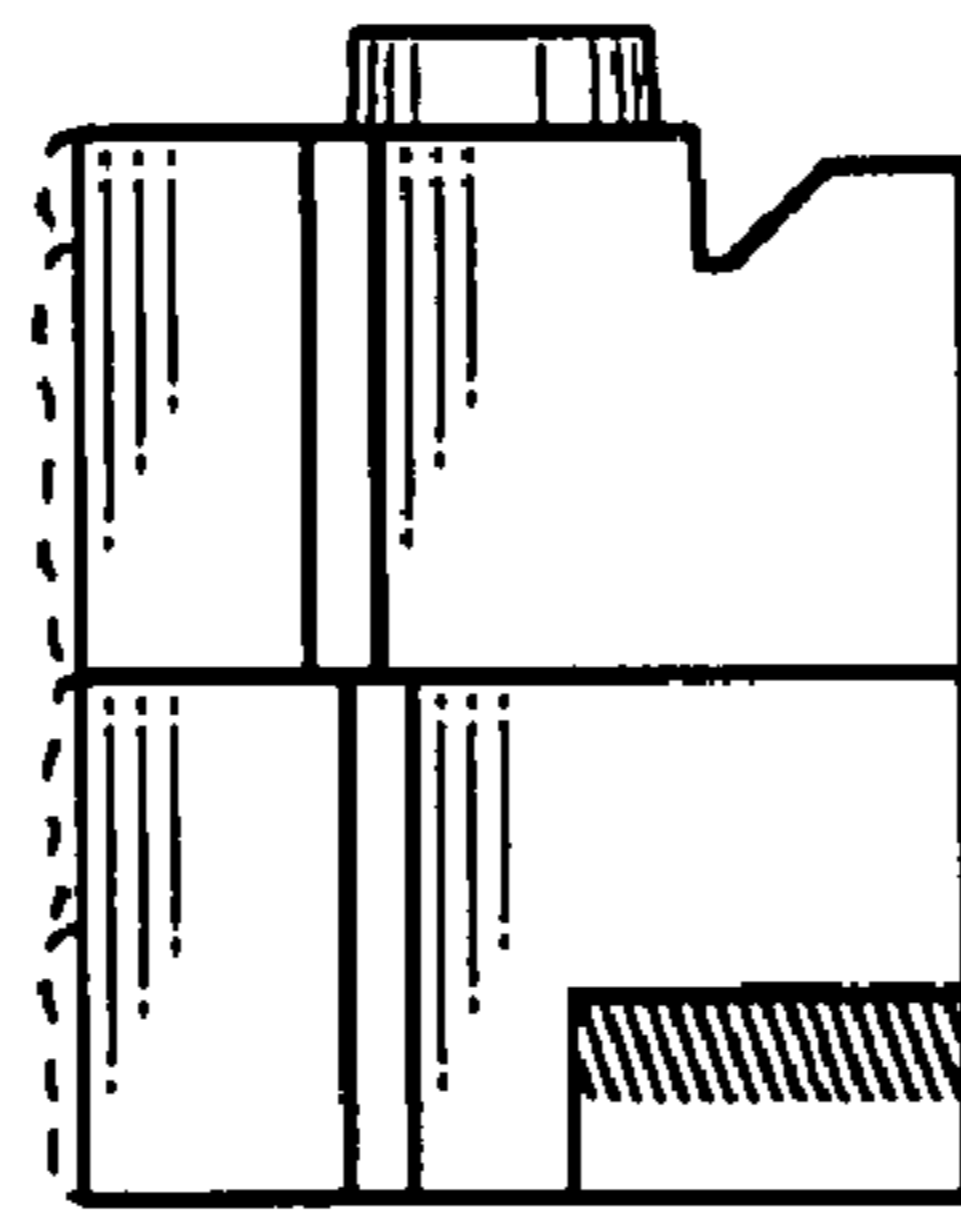


FIG. 5

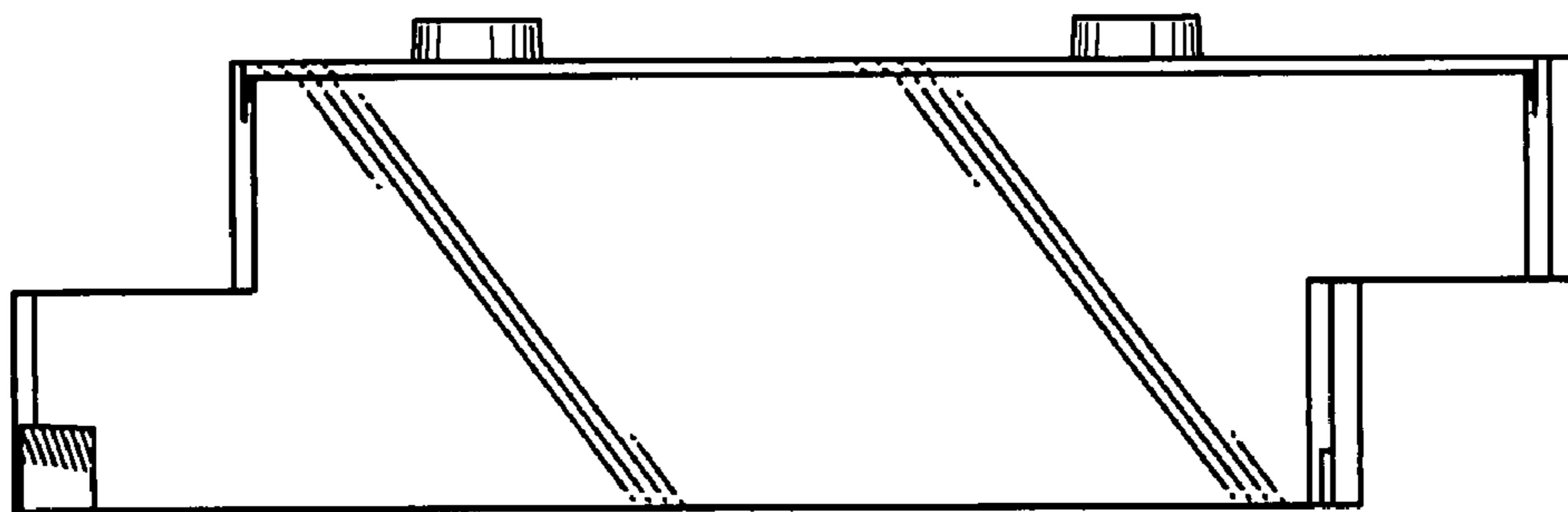


FIG. 6

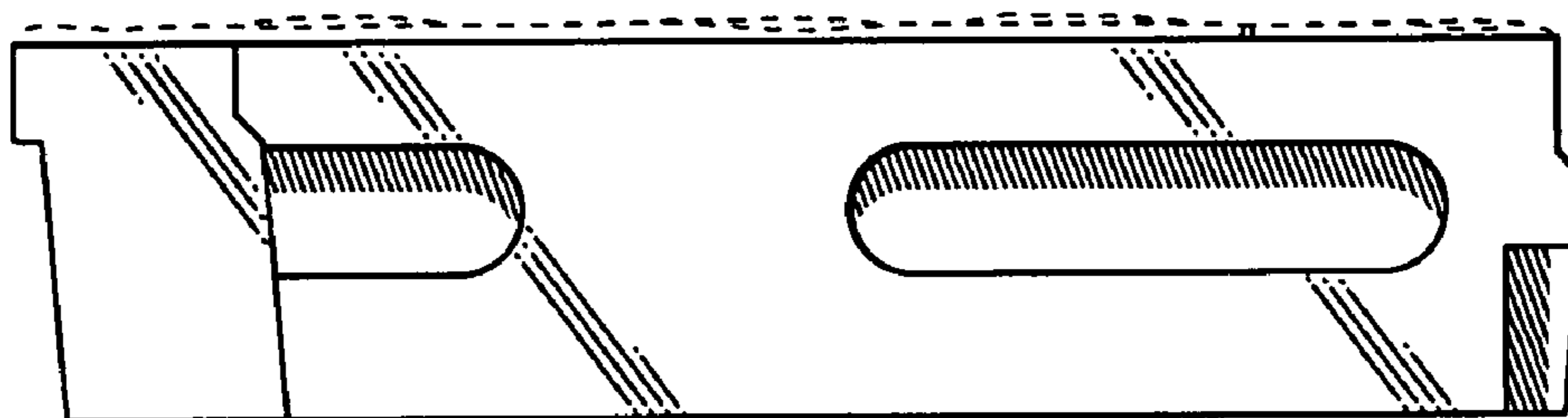


FIG. 7

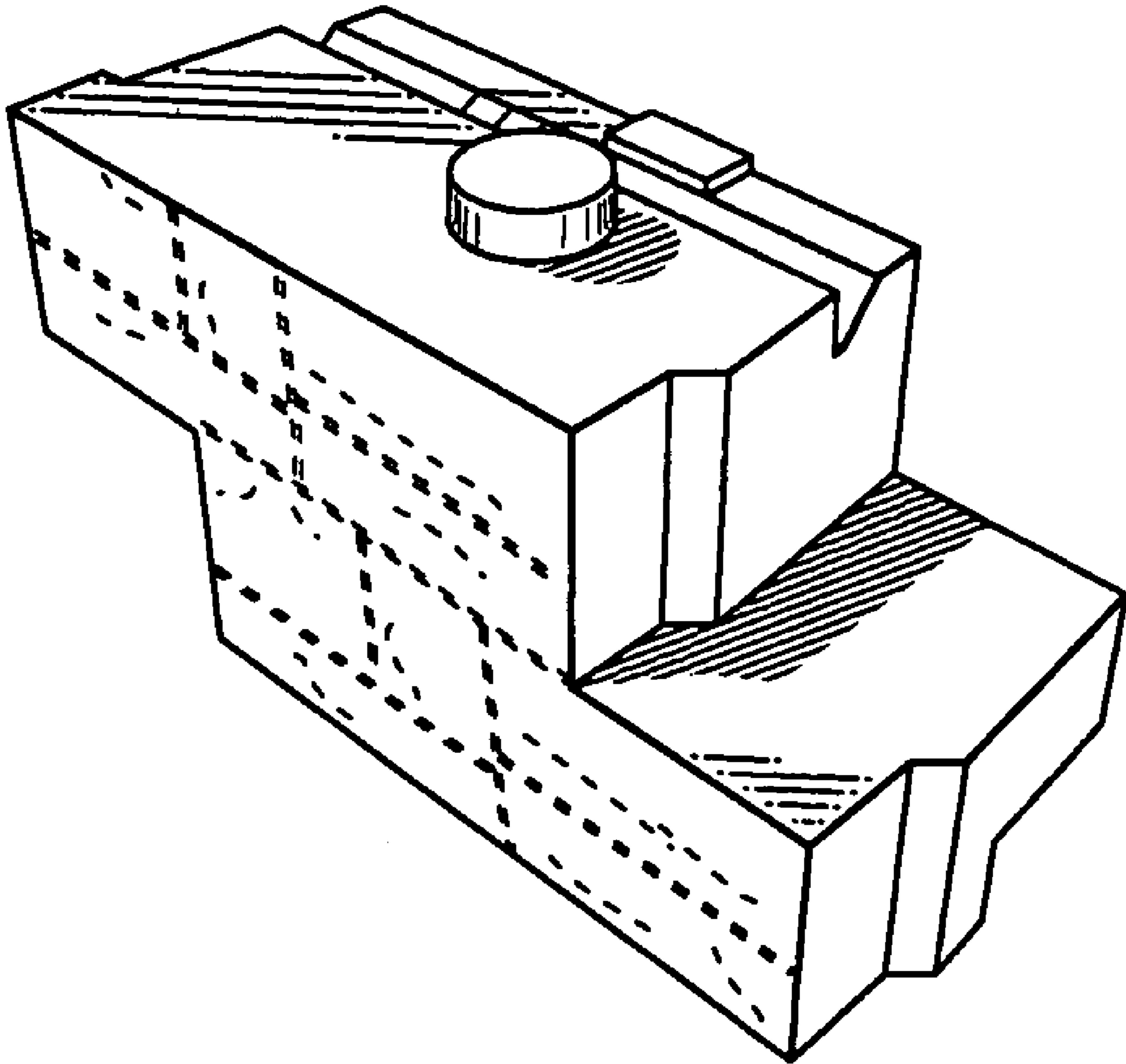


FIG. 8

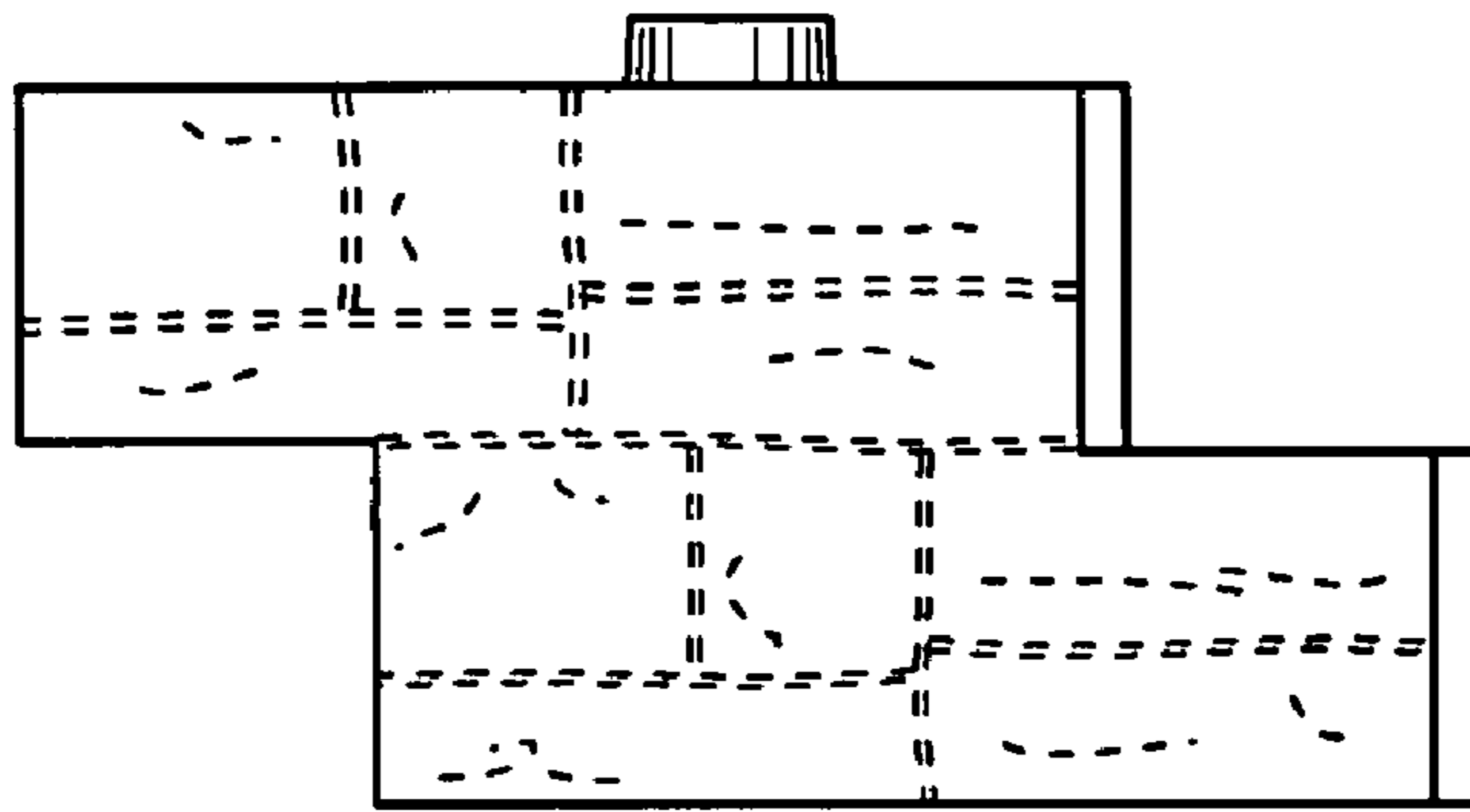


FIG. 9

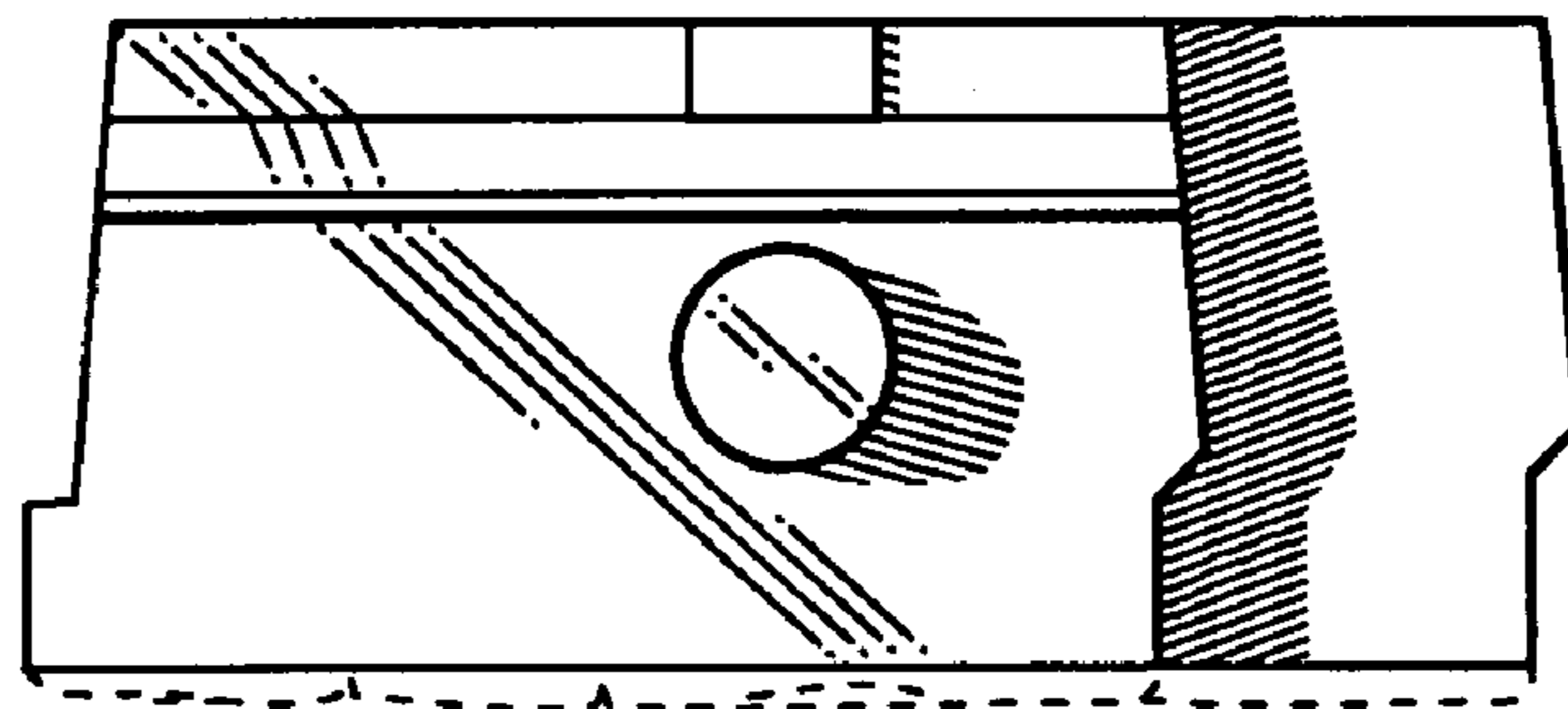


FIG. 10

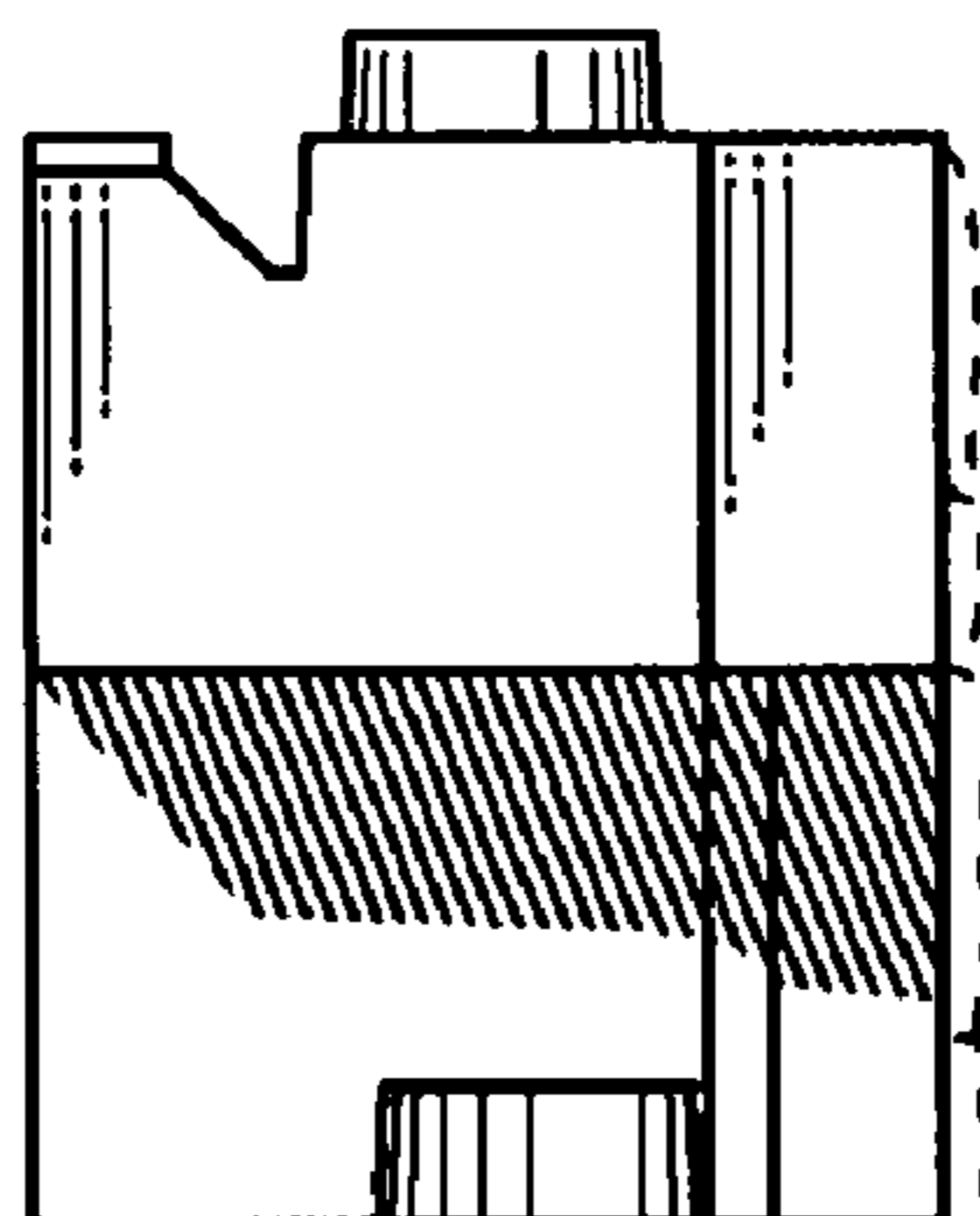


FIG. 11

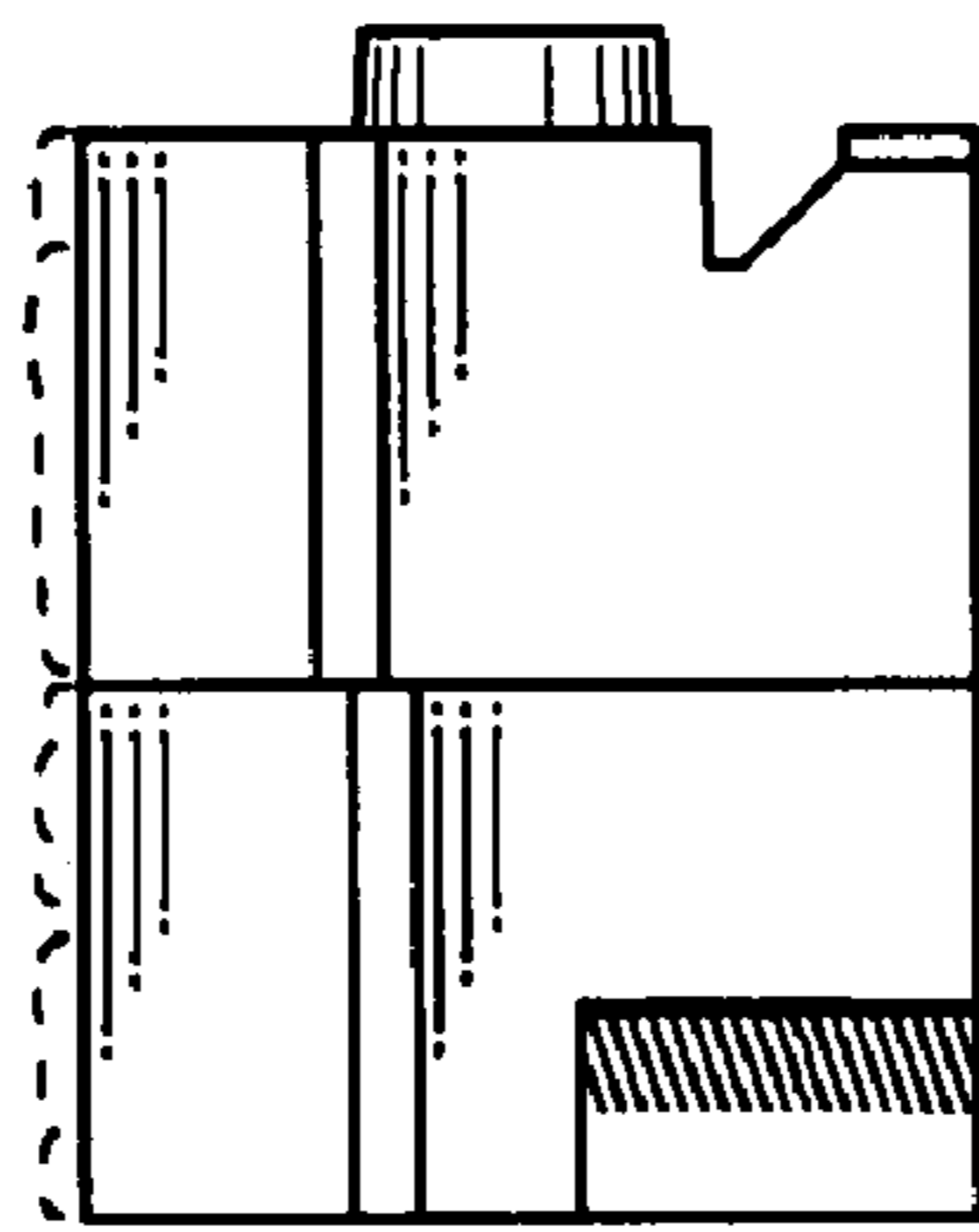


FIG. 12

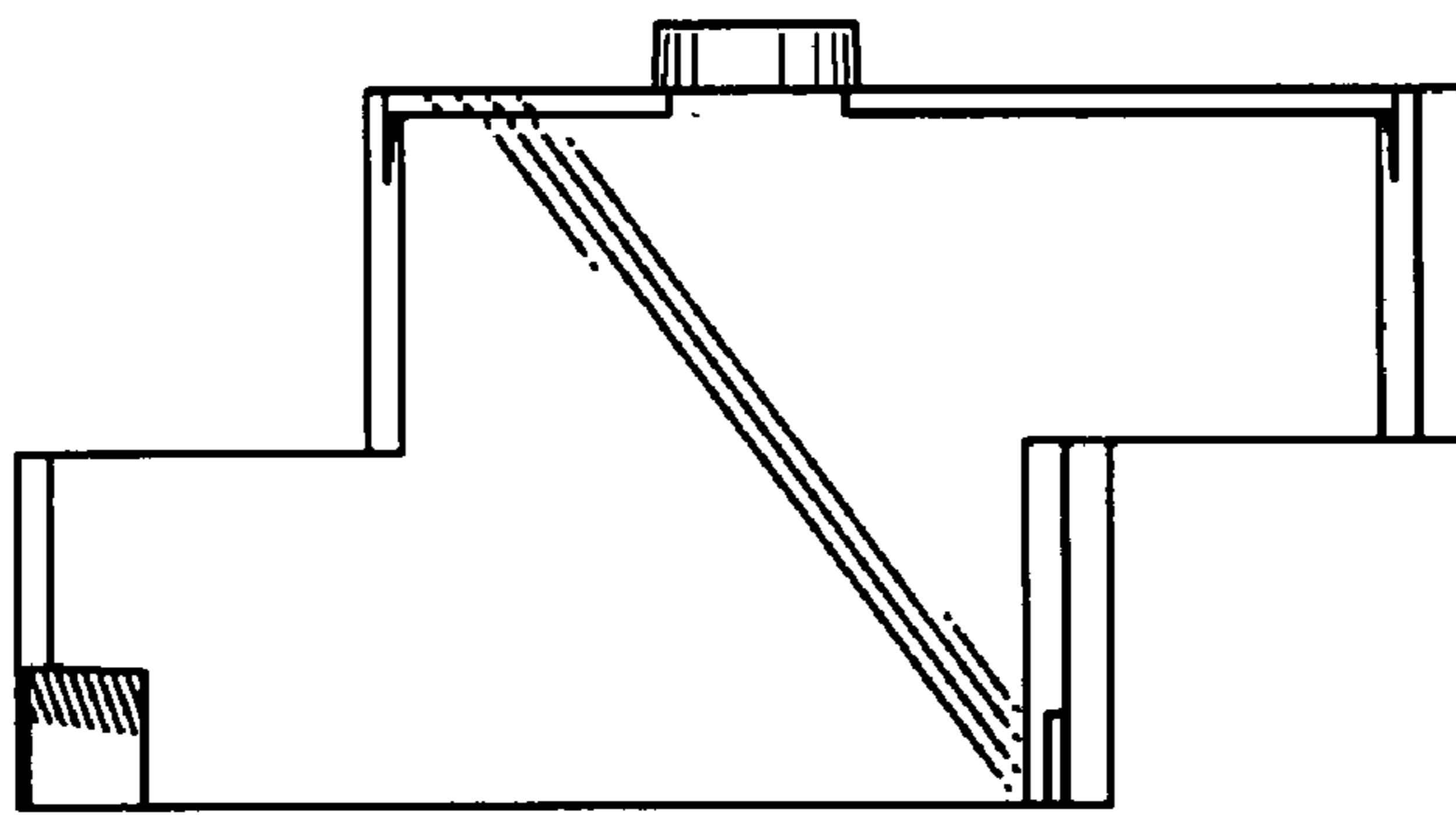


FIG. 13

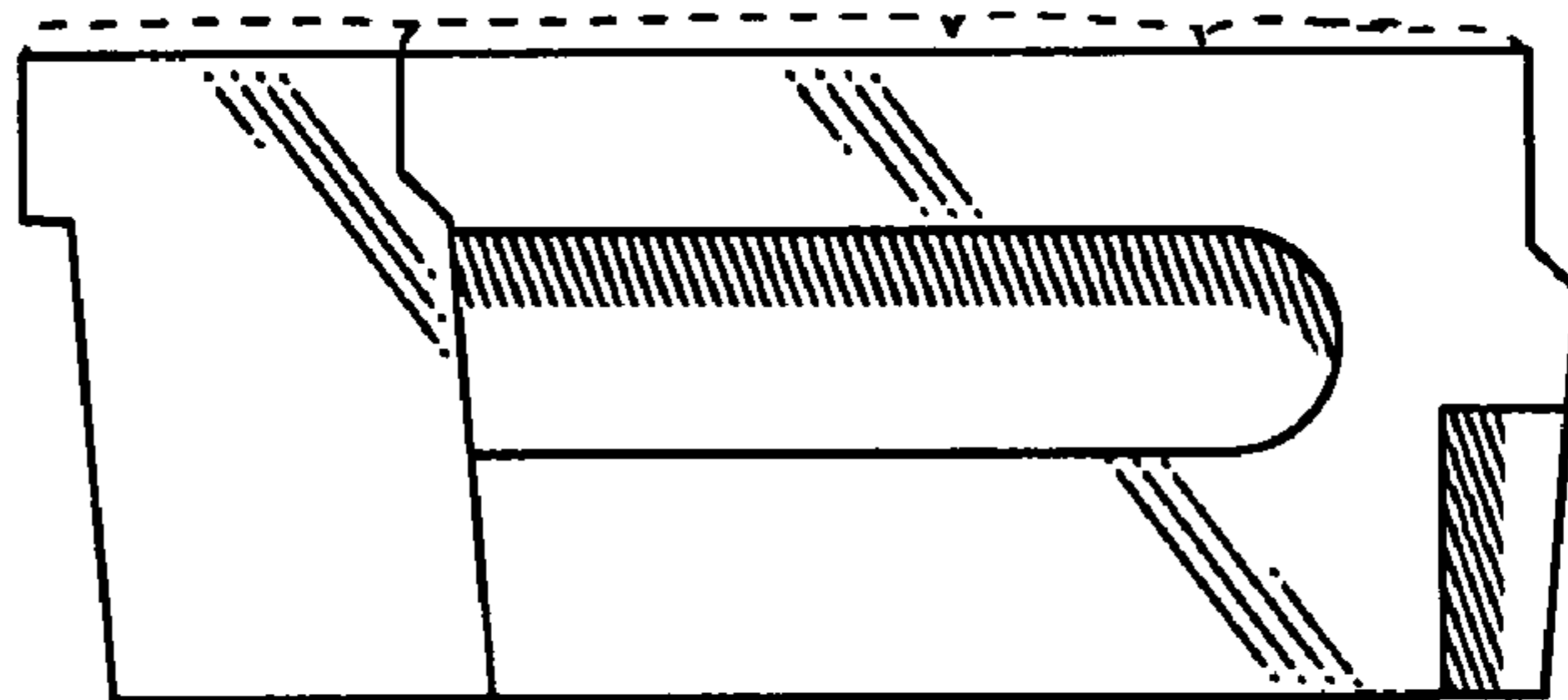


FIG. 14

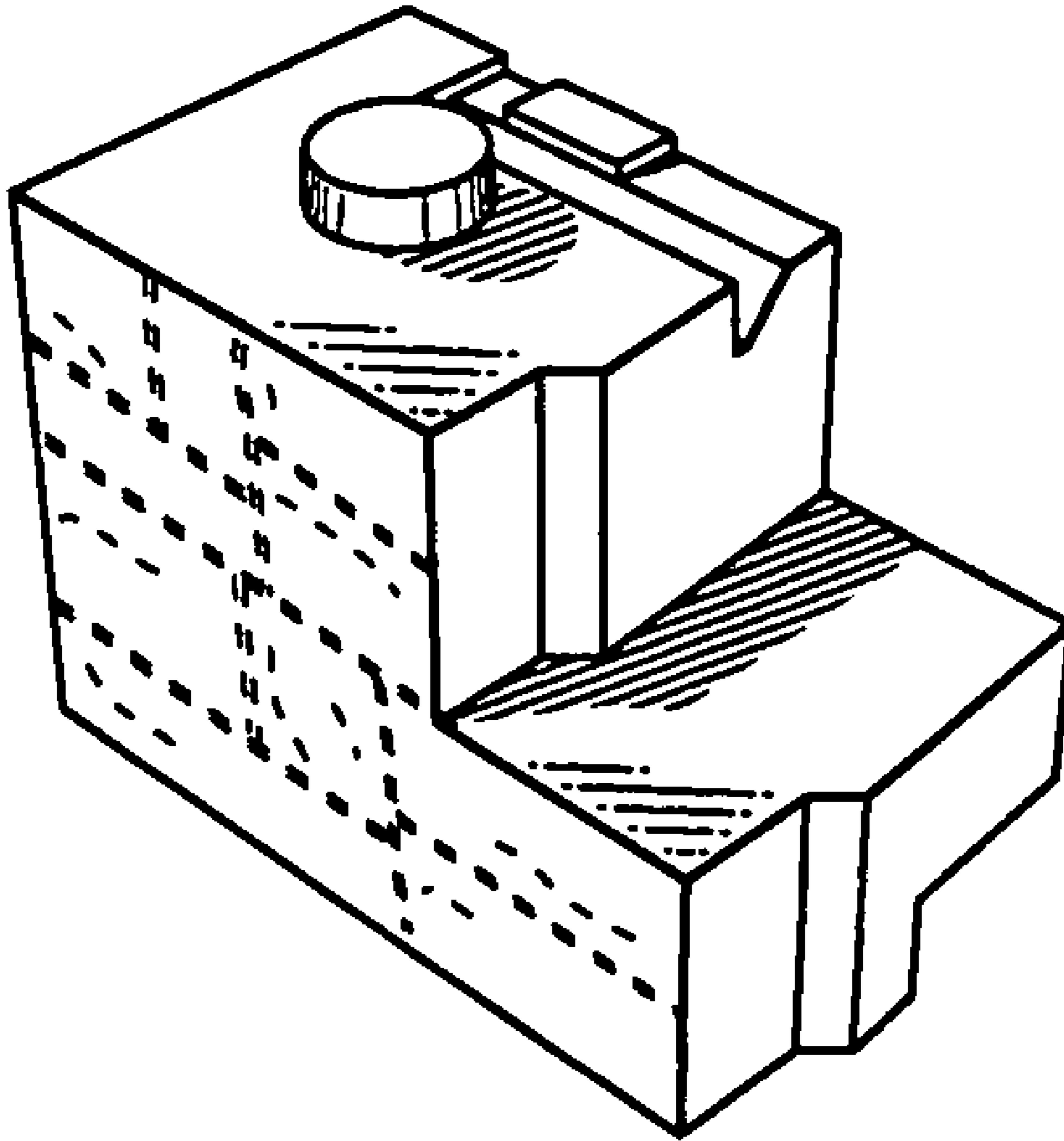


FIG. 15

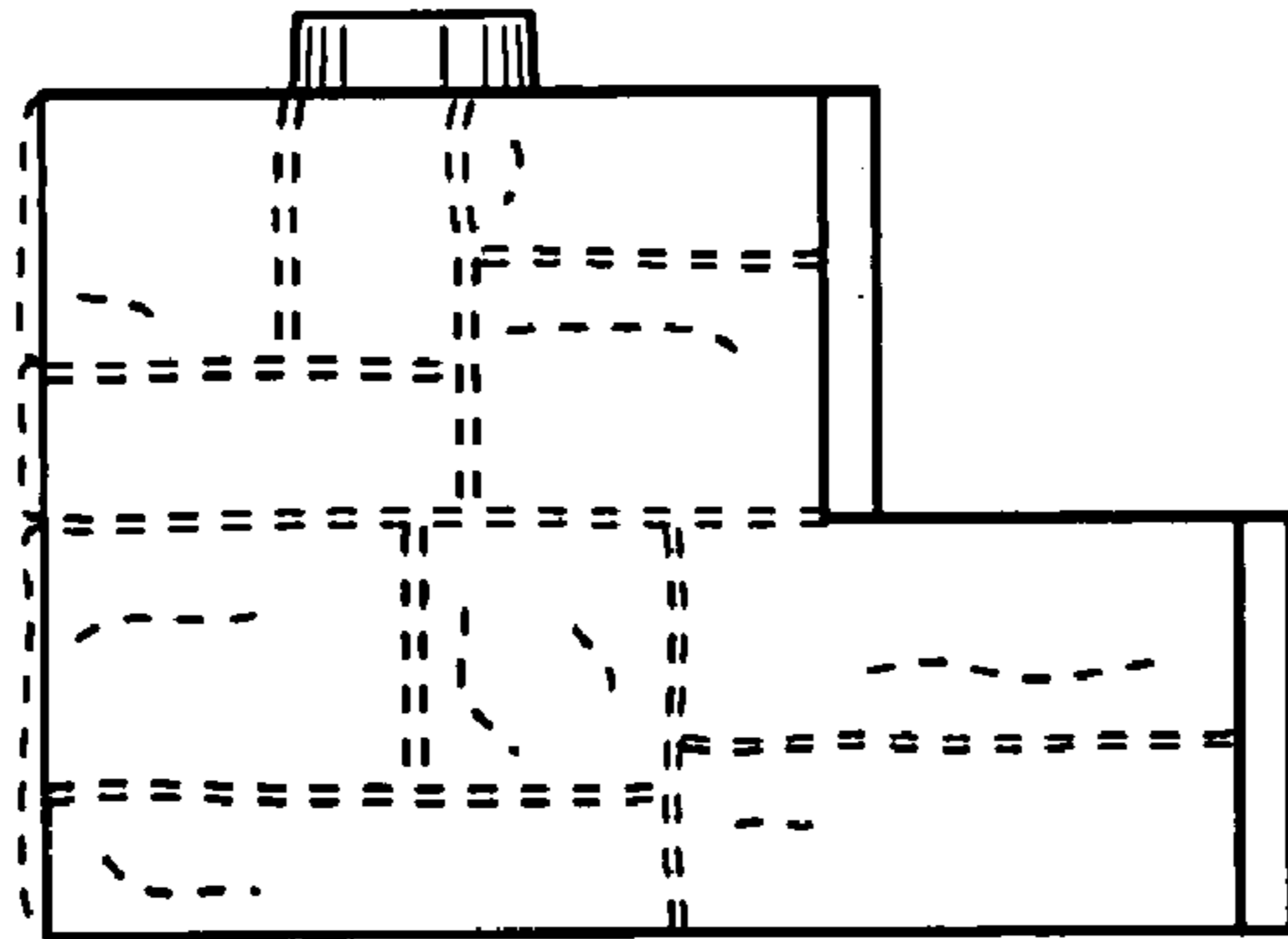


FIG. 16

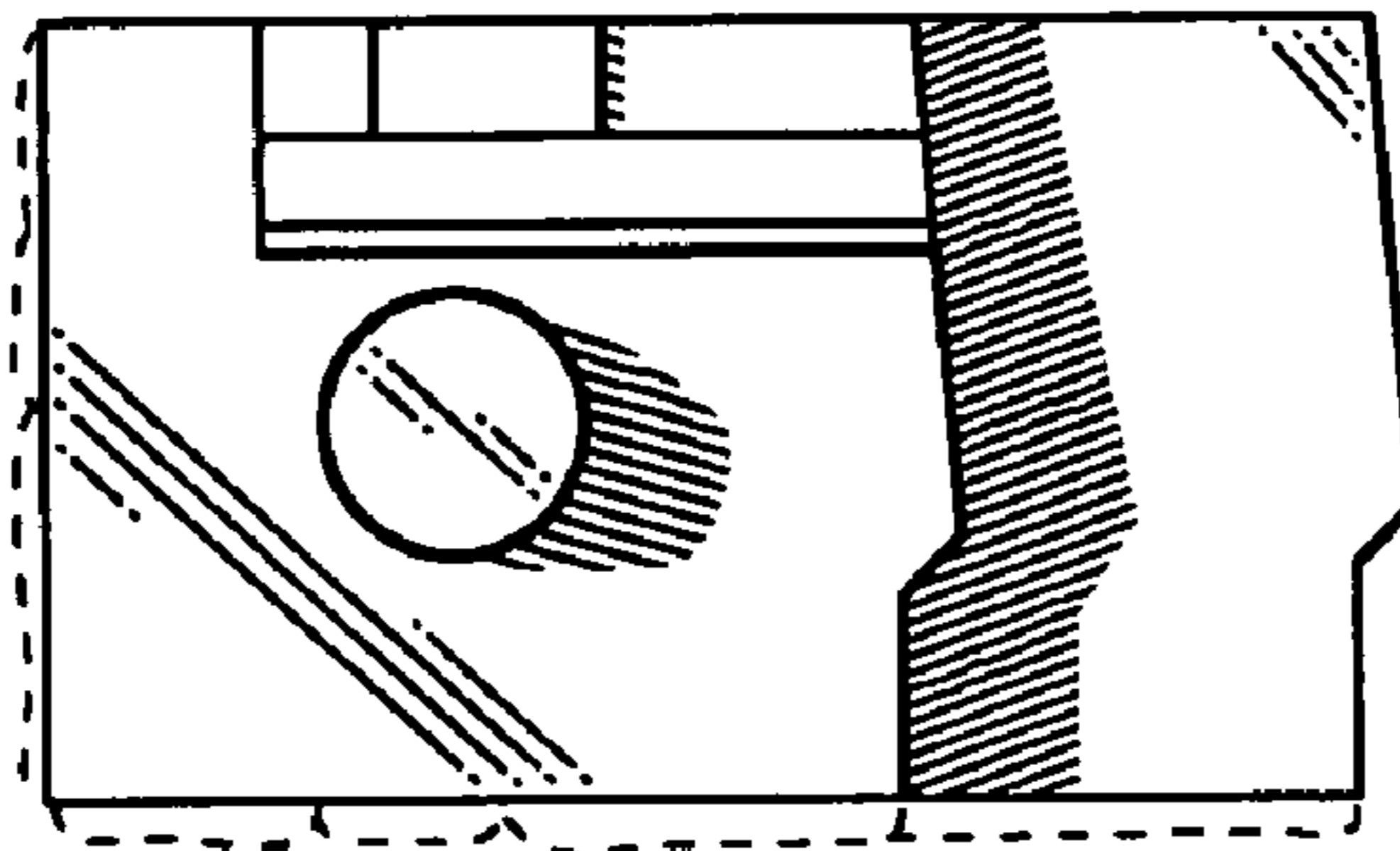


FIG. 17

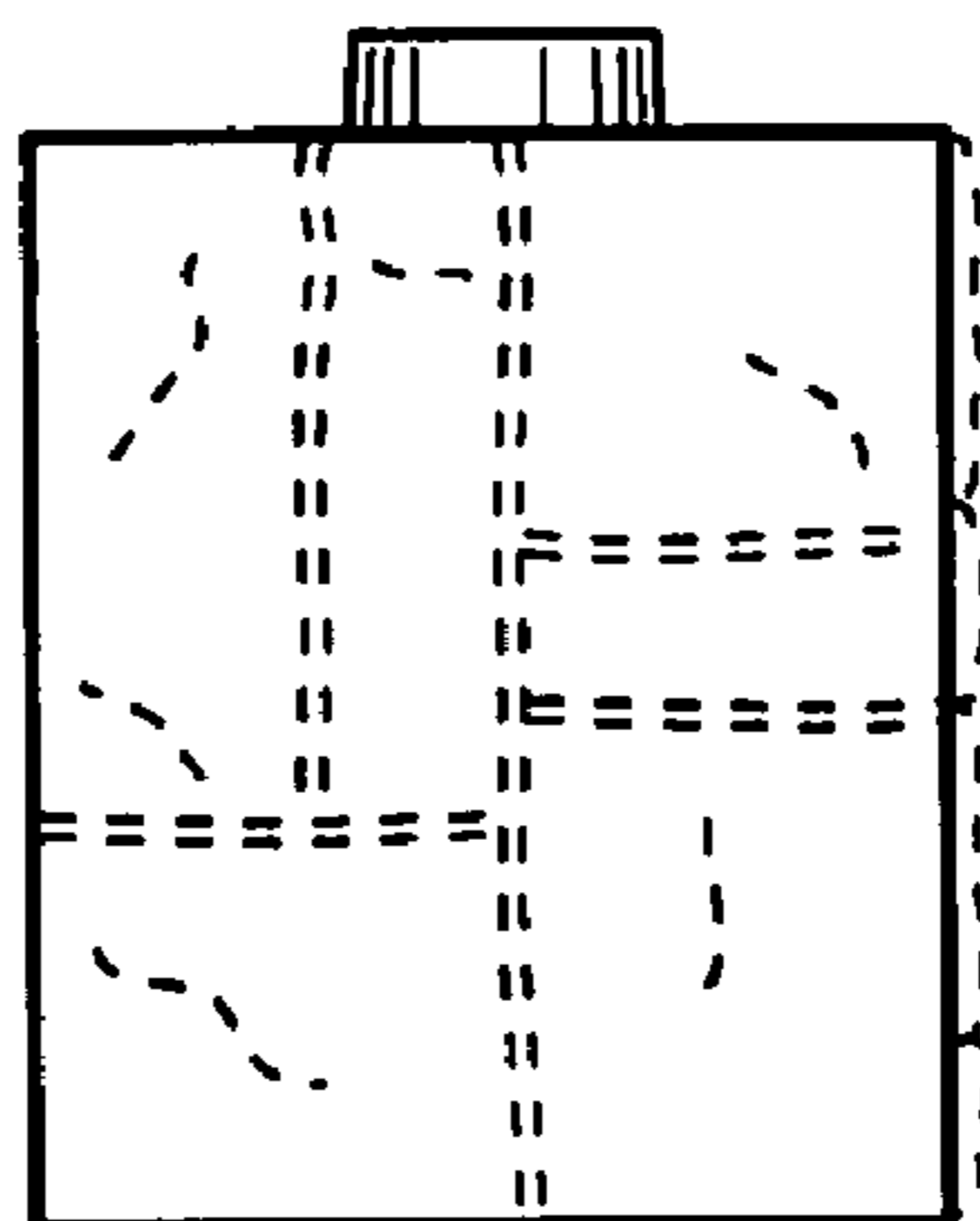


FIG. 18

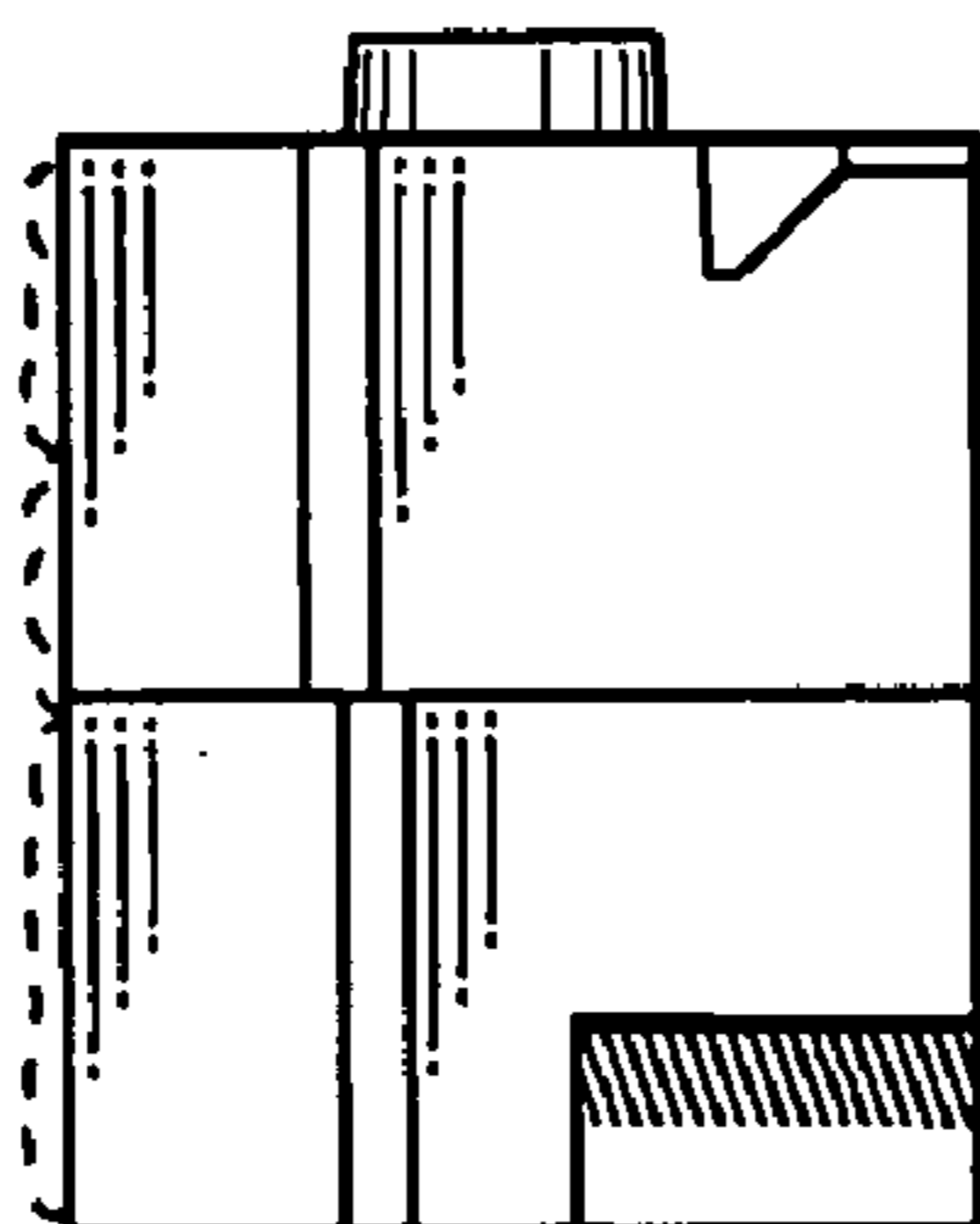


FIG. 19

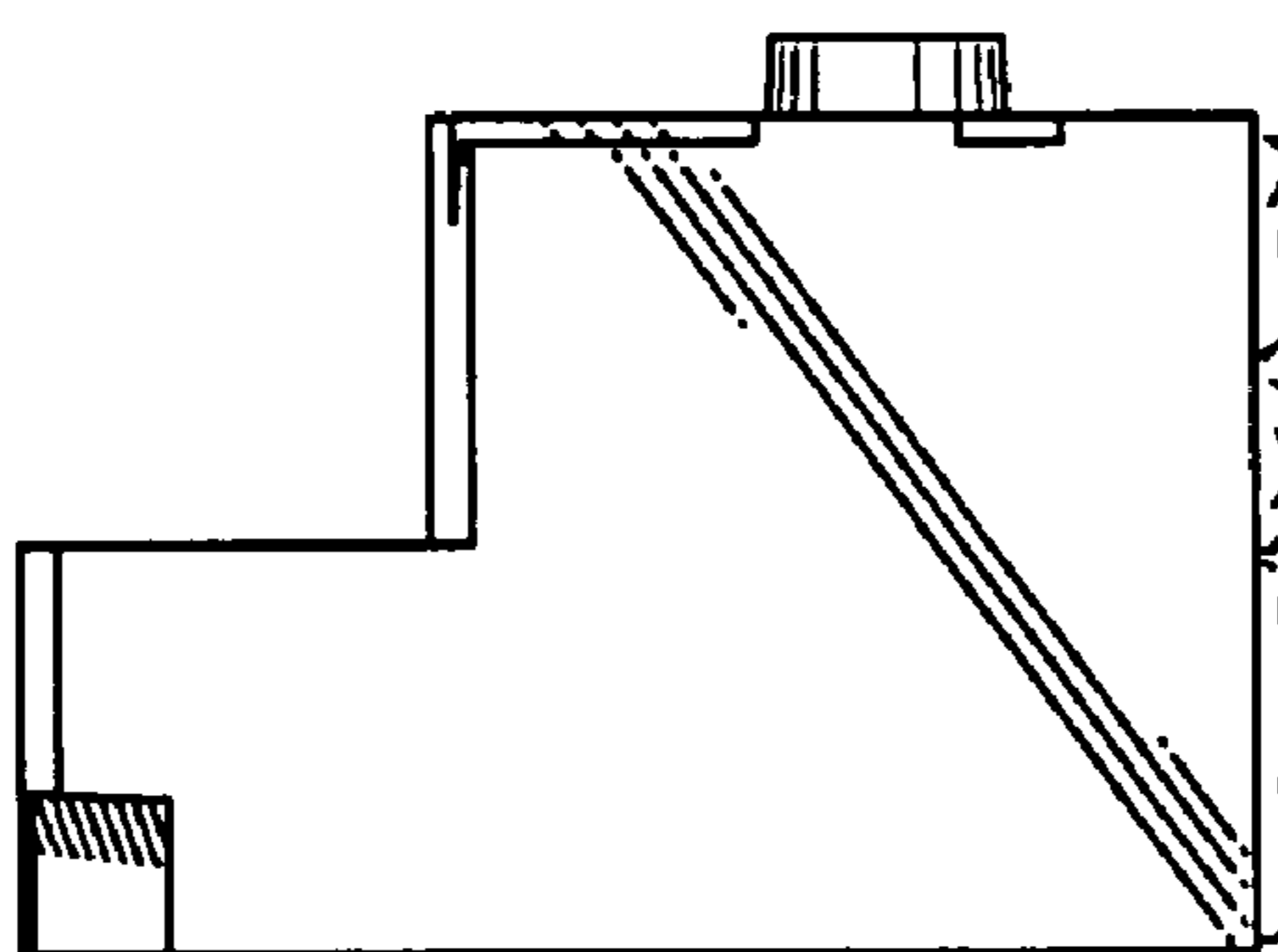


FIG. 20

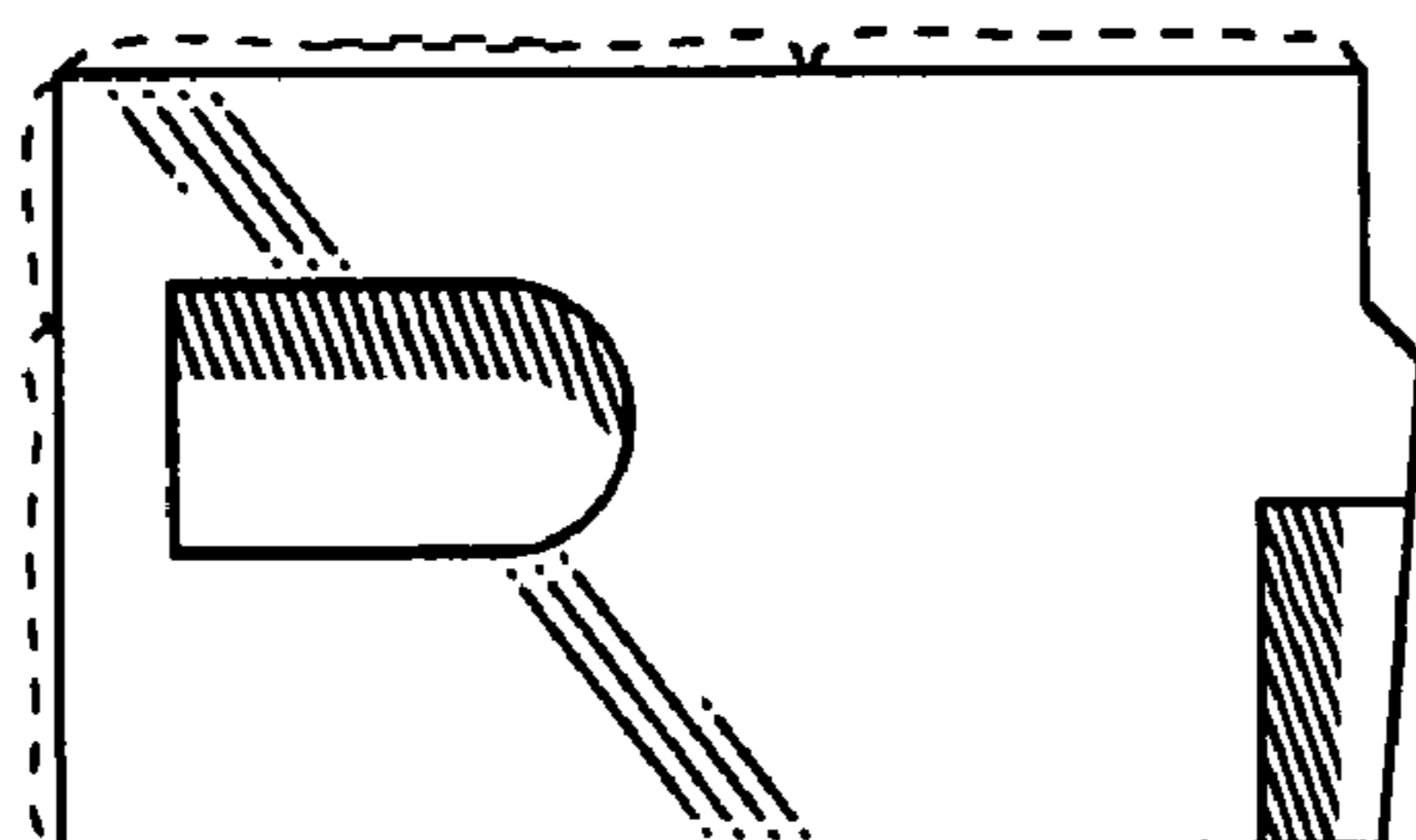


FIG. 21

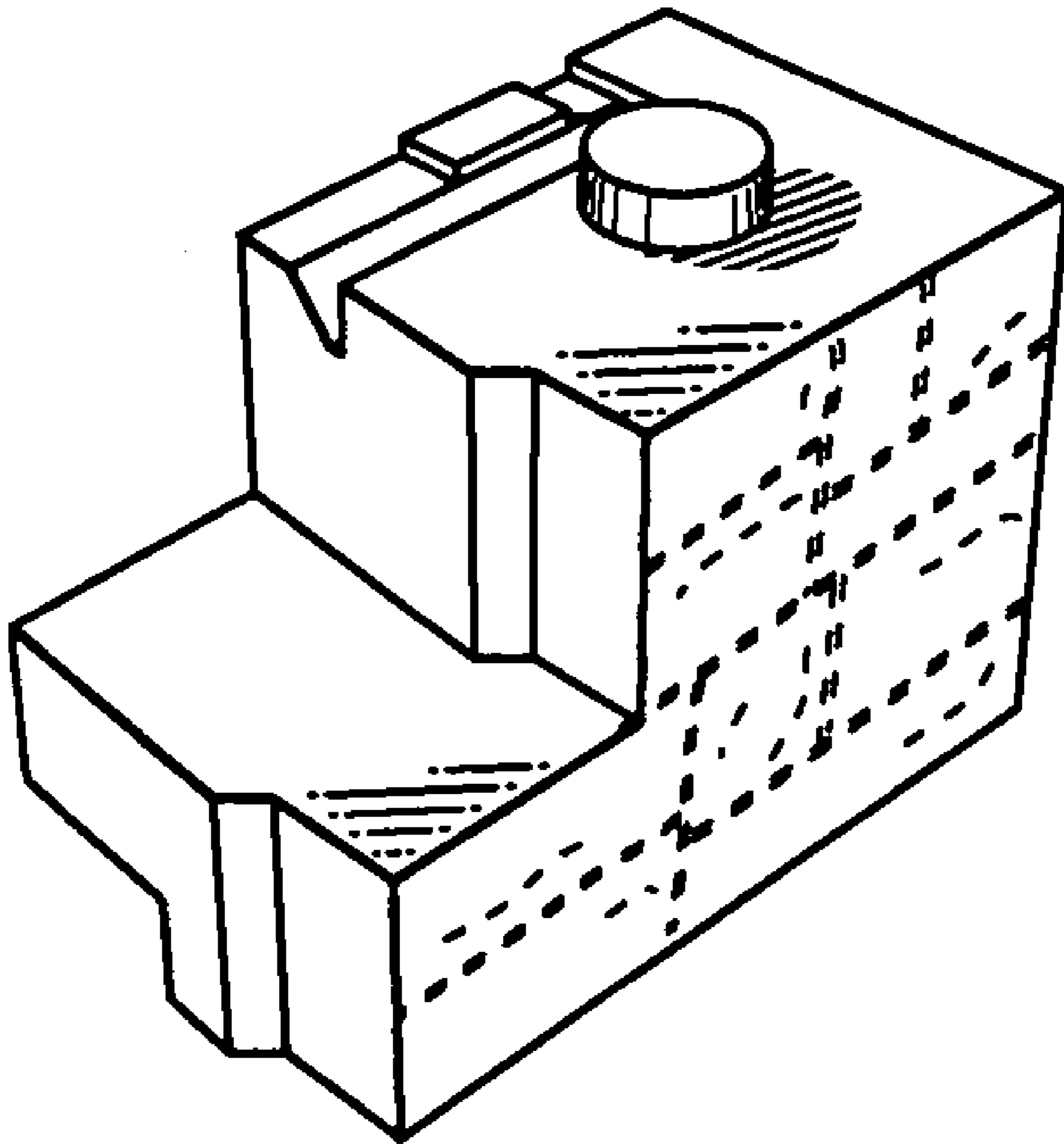


FIG. 22

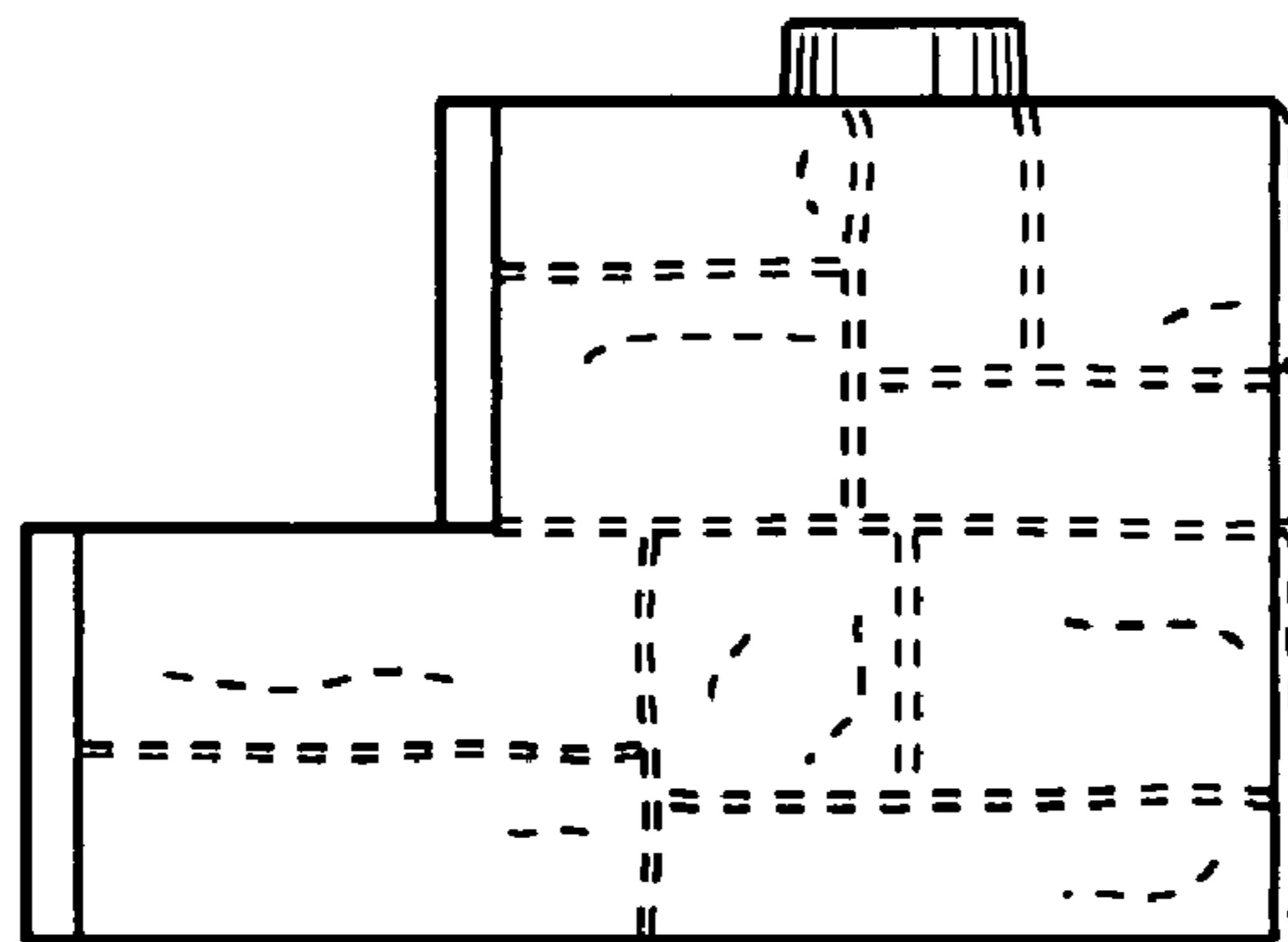


FIG. 23

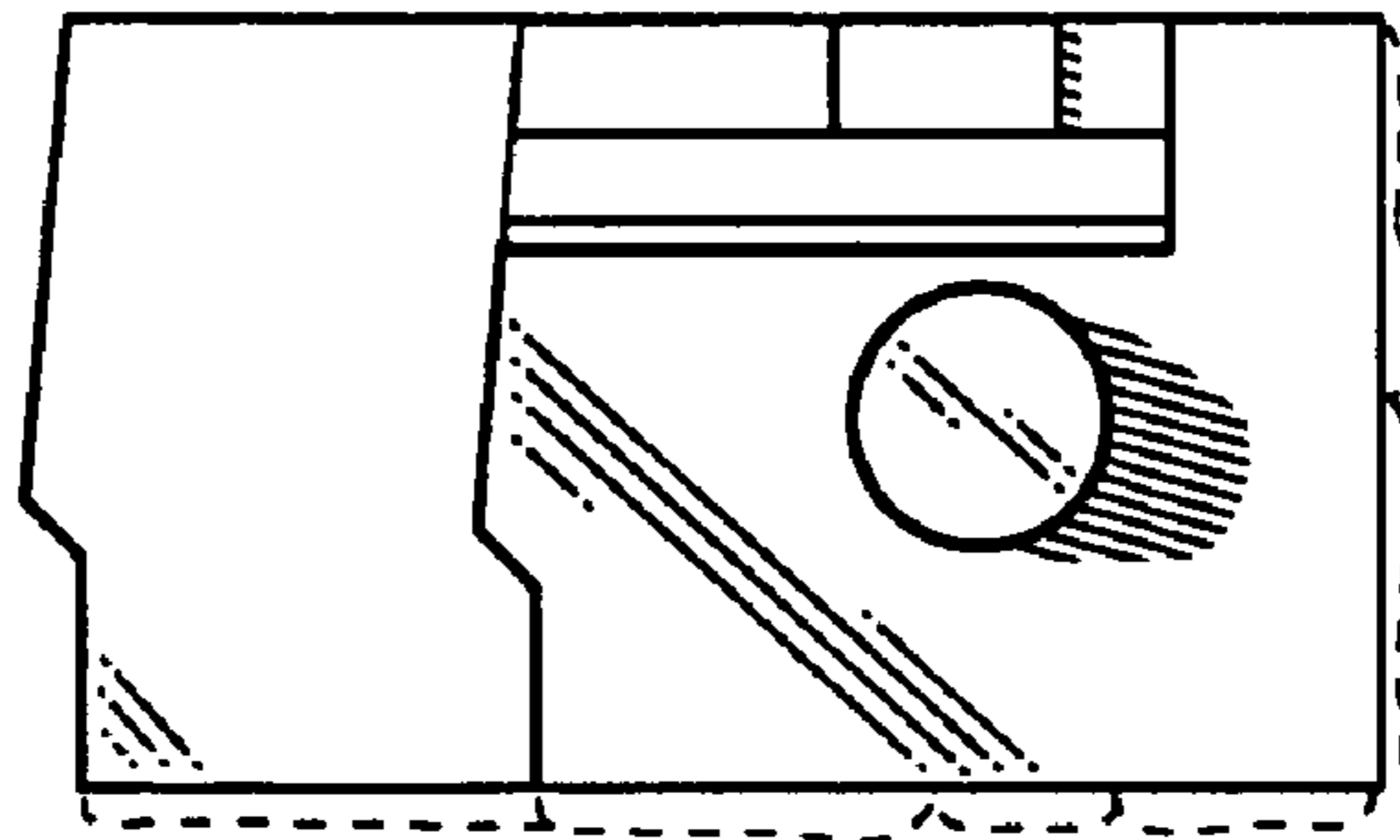


FIG. 24

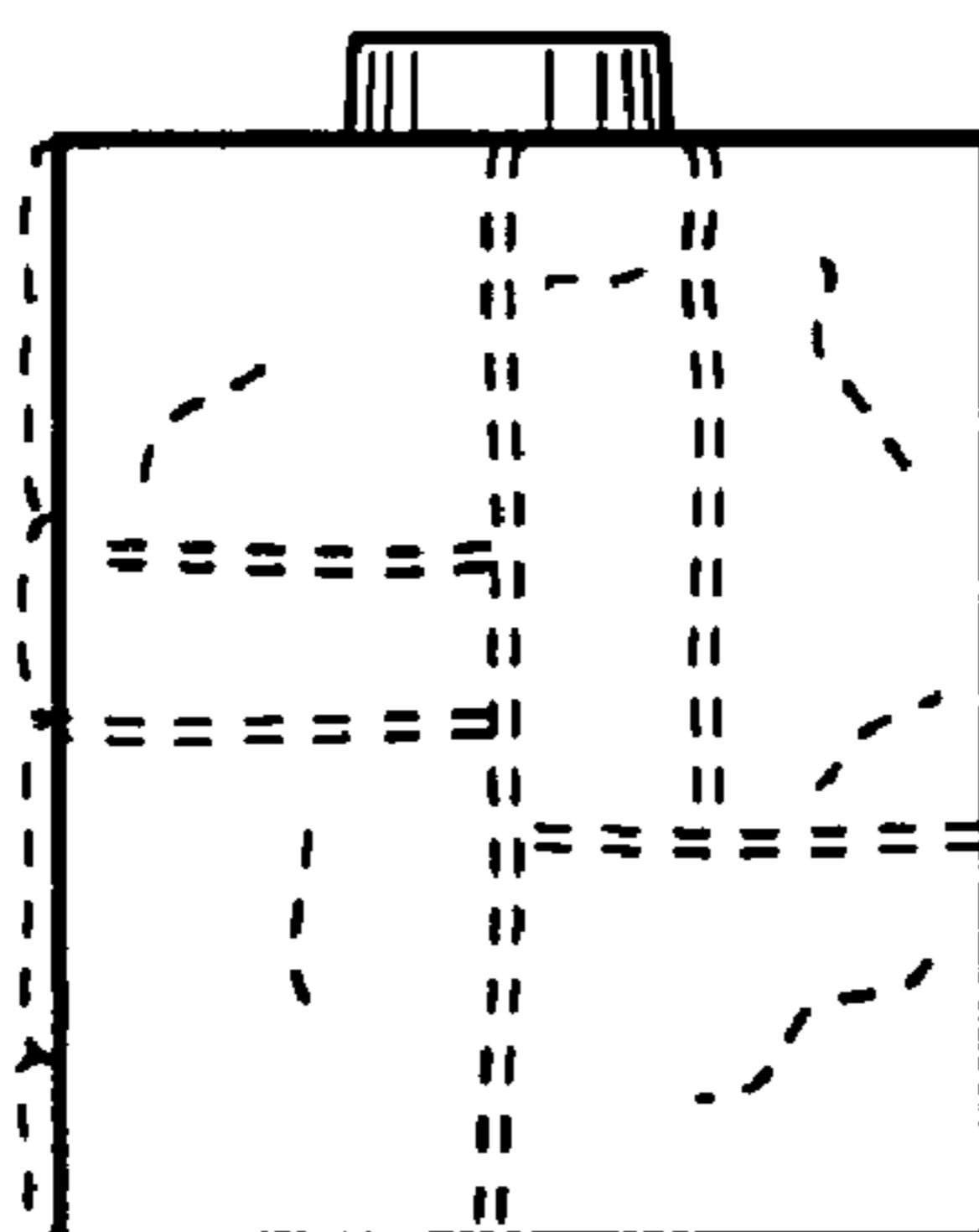


FIG. 25

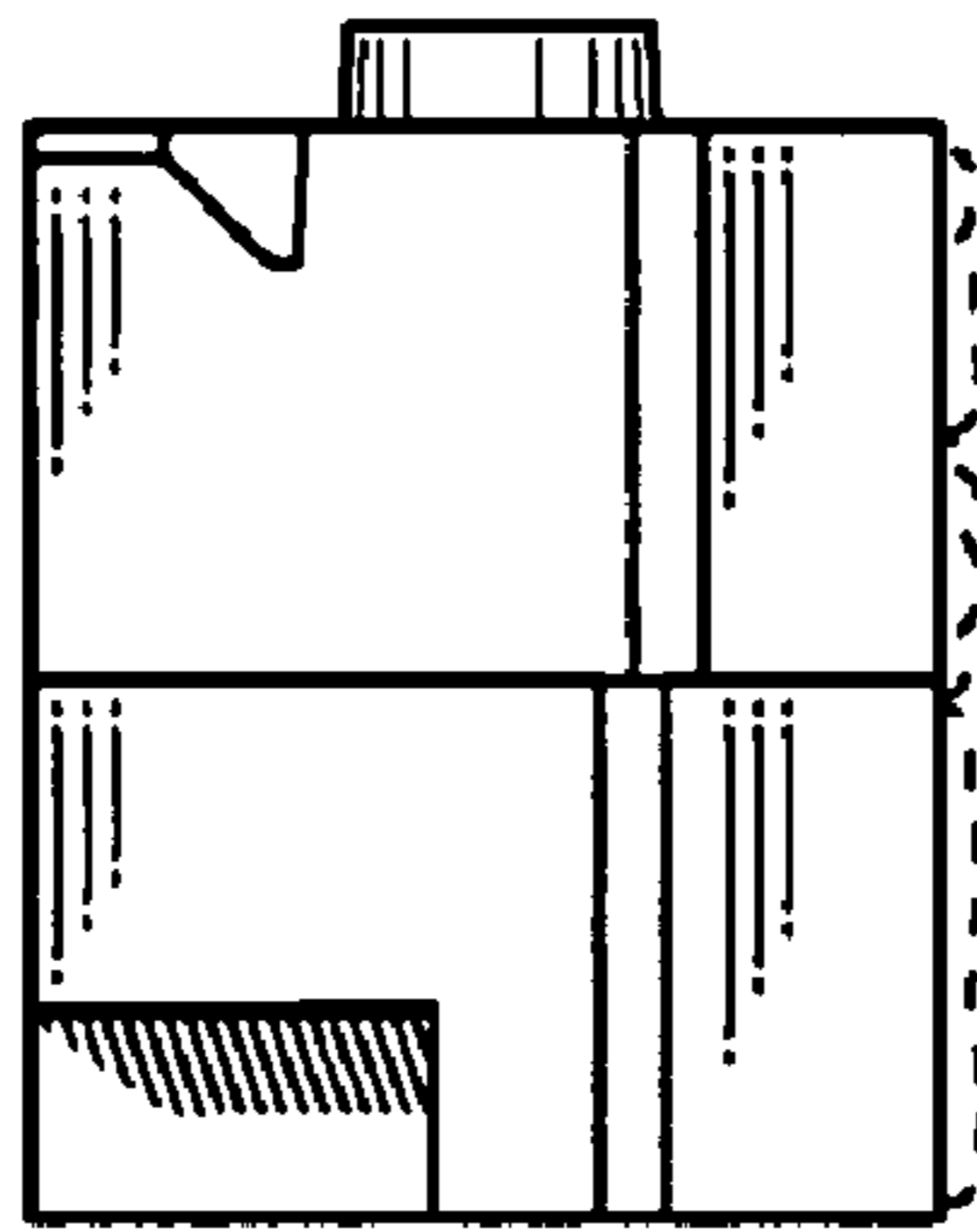


FIG. 26

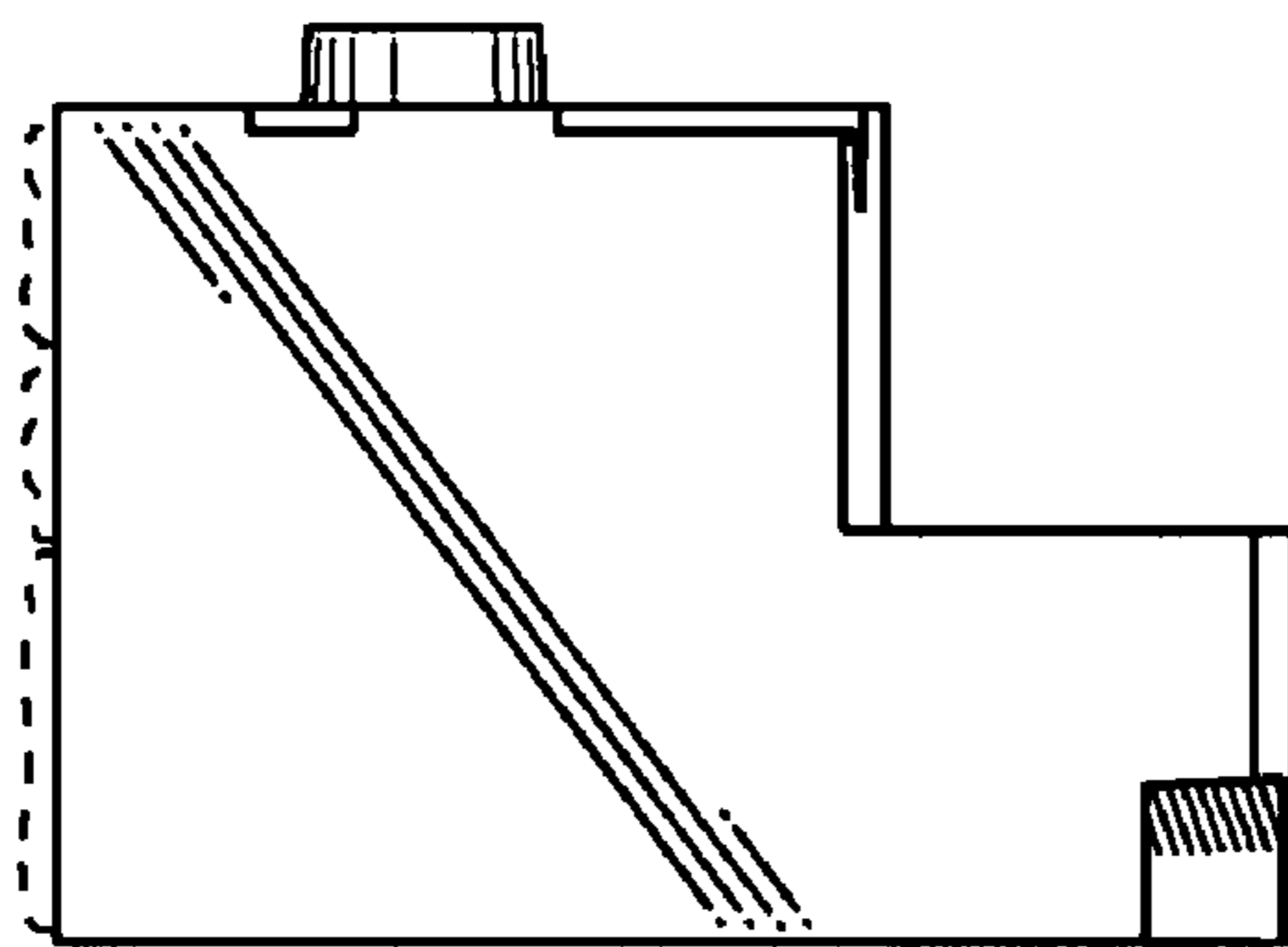


FIG. 27

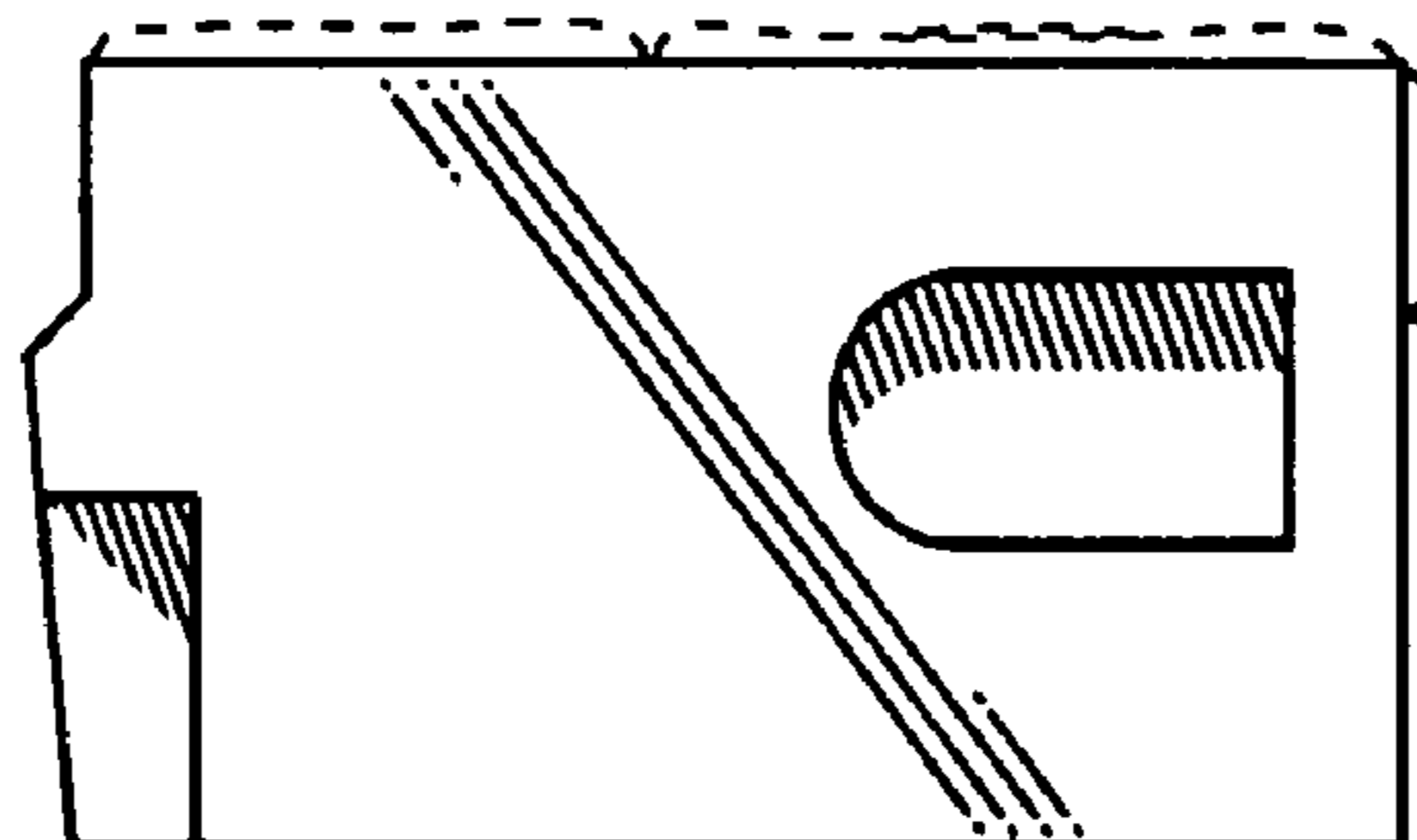


FIG. 28

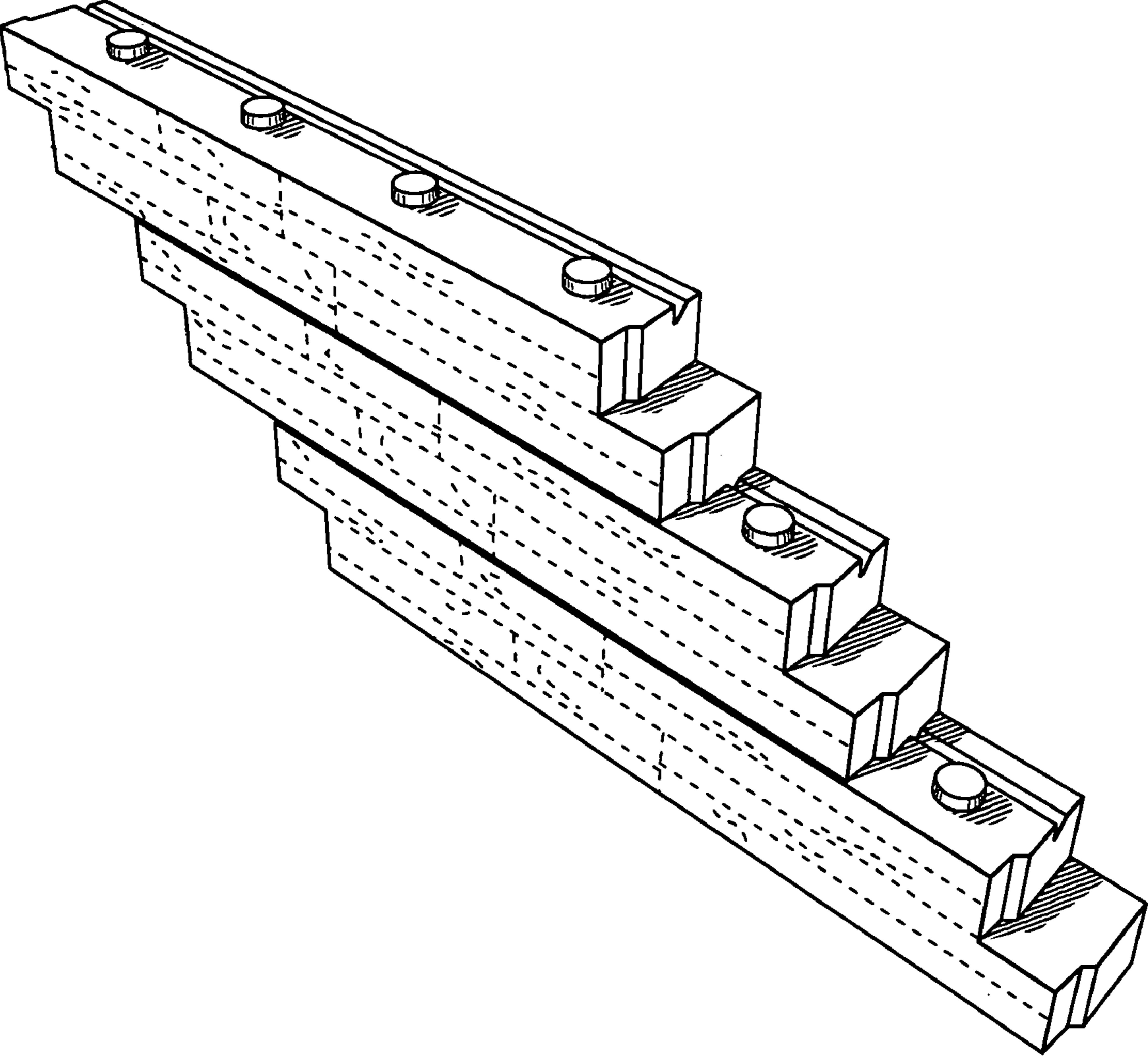


FIG. 29

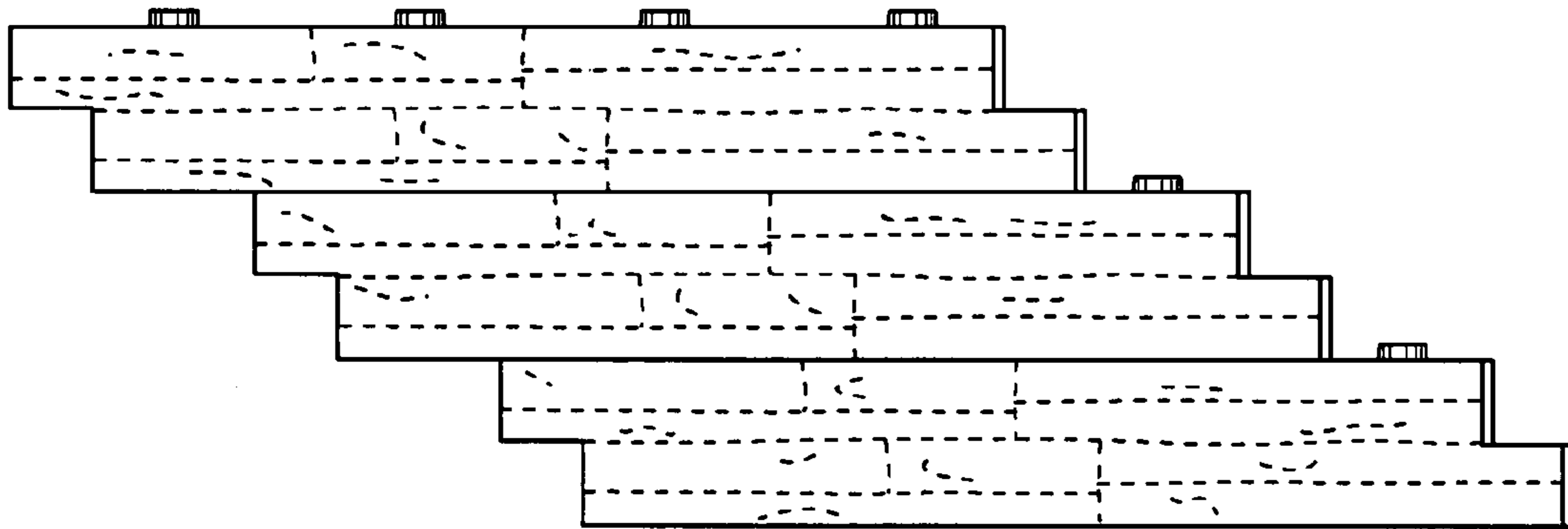


FIG. 30

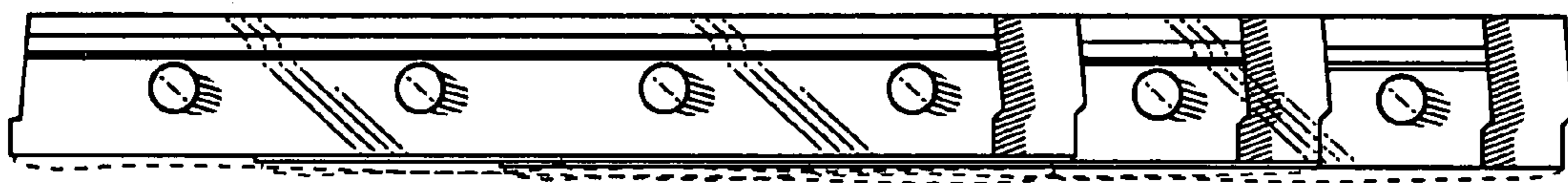


FIG. 31

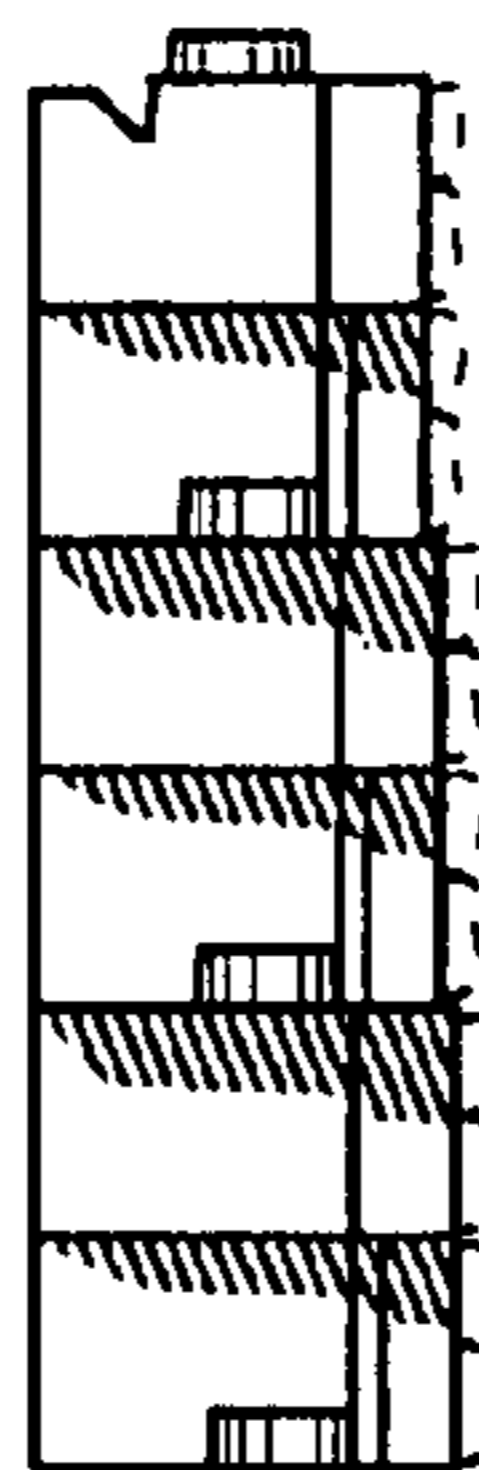


FIG. 32

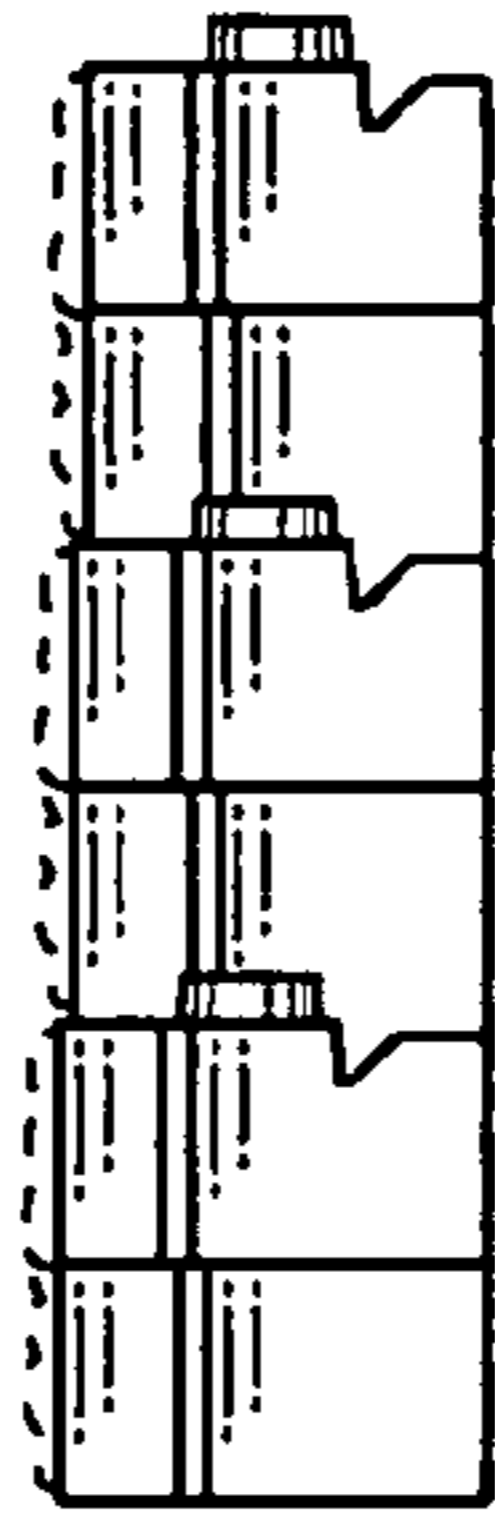


FIG. 33

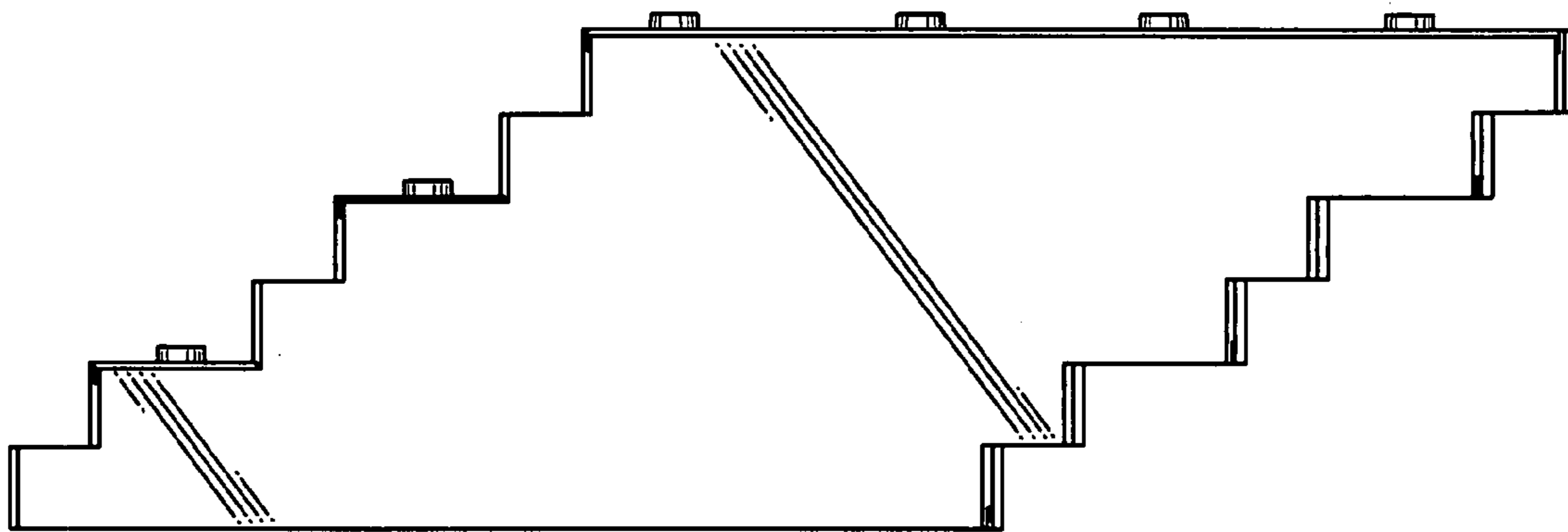


FIG. 34

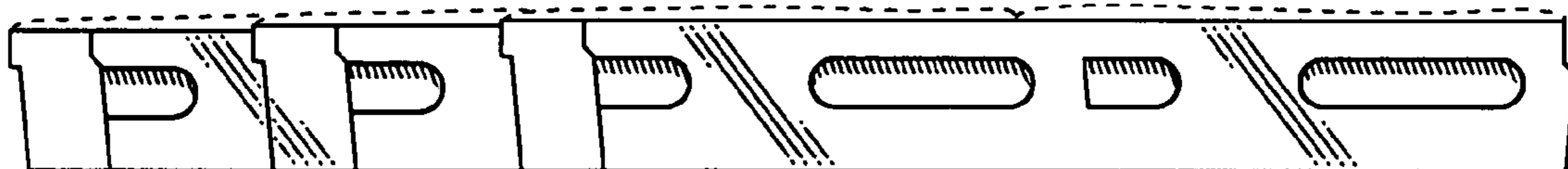


FIG. 35