



US00D587377S

(12) **United States Design Patent**
Py et al.

(10) **Patent No.:** **US D587,377 S**

(45) **Date of Patent:** **** Feb. 24, 2009**

(54) **OPHTHALMIC DELIVERY DEVICE**

(75) Inventors: **Daniel Py**, Stamford, CT (US); **Julian V. Chan**, Spring Valley, NY (US)

(73) Assignee: **Medical Instill Technologies, Inc.**, New Milford, CT (US)

(**) Term: **14 Years**

(21) Appl. No.: **29/297,806**

(22) Filed: **Nov. 19, 2007**

Related U.S. Application Data

(62) Division of application No. 29/258,989, filed on Apr. 28, 2006, now Pat. No. Des. 555,791, which is a division of application No. 29/193,804, filed on Nov. 14, 2003, now Pat. No. Des. 521,639.

(51) **LOC (9) Cl.** **24-01**

(52) **U.S. Cl.** **D24/172**

(58) **Field of Classification Search** D24/108, D24/133, 150, 172; D9/685, 688; D16/331; 222/210, 105, 386, 420; 294/1.2
See application file for complete search history.

(56) **References Cited**

U.S. PATENT DOCUMENTS

1,471,091 A 10/1923 Bessesen
3,921,333 A 11/1975 Clendinning et al. 47/37
3,993,069 A 11/1976 Buckles et al. 128/214 F

(Continued)

FOREIGN PATENT DOCUMENTS

EP 0802827 B1 8/1998

Primary Examiner—Louis S Zarfaz

Assistant Examiner—Anhdao Doan

(74) *Attorney, Agent, or Firm*—McCarter & English, LLP

(57) **CLAIM**

The ornamental design for an ophthalmic device, as shown and described.

DESCRIPTION

FIG. 1 is a right side elevational view of an ophthalmic delivery according to our new design;

FIG. 2 is a top plan view of the ophthalmic delivery device of FIG. 1;

FIG. 3 is a bottom plan view of the ophthalmic delivery device of FIG. 1;

FIG. 4 is a front elevational view of the ophthalmic delivery device of FIG. 1;

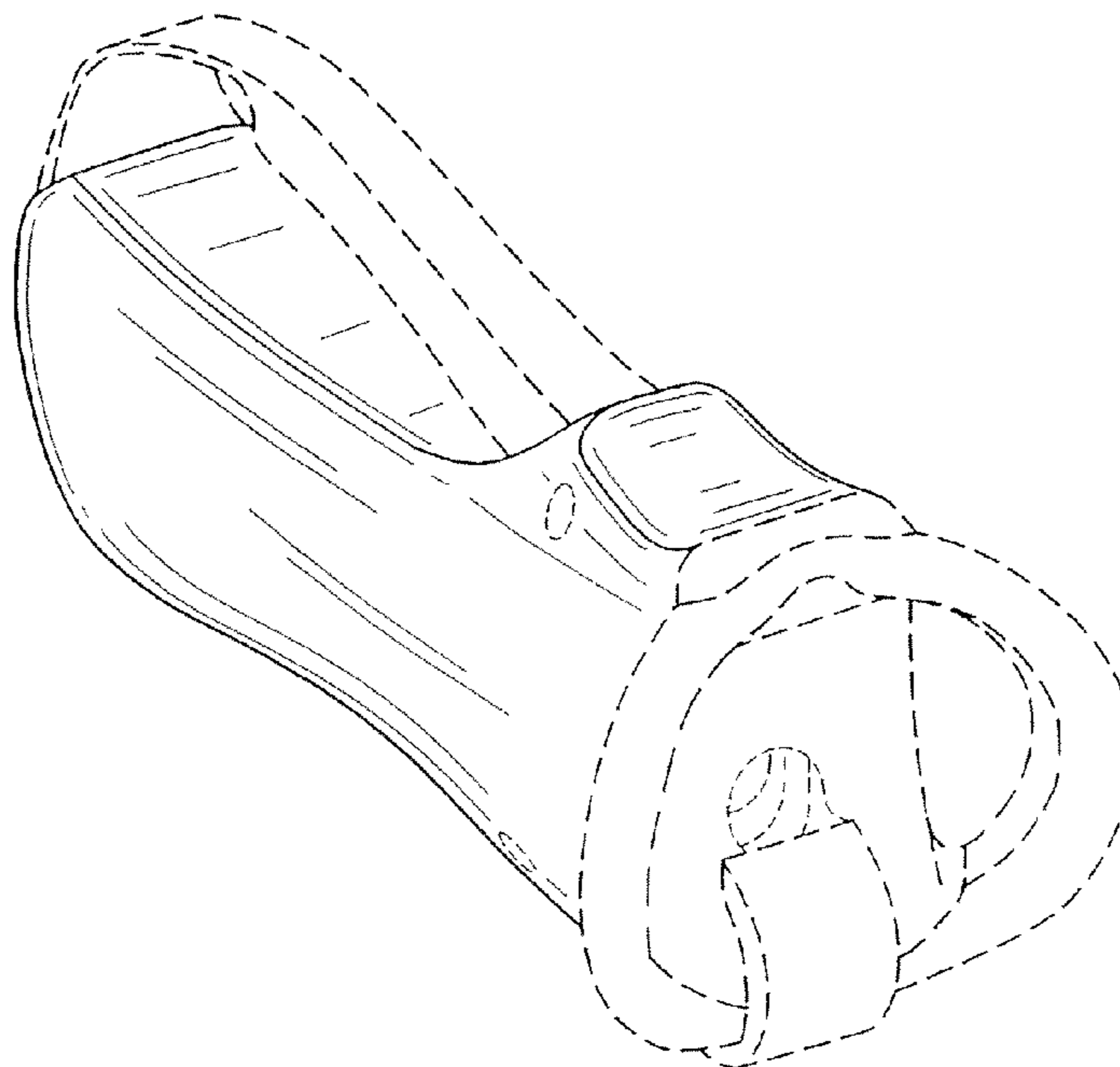
FIG. 5 is a rear elevational view of the ophthalmic delivery device of FIG. 1;

FIG. 6 is a left side elevational view of the ophthalmic delivery device of FIG. 1; and,

FIG. 7 is a front perspective view of the ophthalmic delivery device of FIG. 1.

The broken lines immediately adjacent the shaded areas represent the bounds of the claim, and all other broken lines are included for the purposes of illustrating portions of the ophthalmic delivery device that form no part of the claimed design. None of the broken lines form a part of the claimed design.

1 Claim, 7 Drawing Sheets



US D587,377 S

Page 2

U.S. PATENT DOCUMENTS

4,023,607 A	5/1977	Jensen et al.	150/1	5,419,465 A	5/1995	Schroeder	222/386.5
4,233,262 A	11/1980	Curto	264/509	5,429,254 A	7/1995	Christine	215/11.1
4,240,465 A	12/1980	Rader	137/564.5	RE35,187 E	3/1996	Gortz	222/105
4,264,018 A	4/1981	Warren	222/95	D368,774 S	4/1996	Py	D24/113
4,378,126 A *	3/1983	Procenko	294/1.2	D374,719 S	10/1996	Py	D24/120
4,479,989 A	10/1984	Mahal	428/35	5,562,960 A	10/1996	Sugiura et al.	428/35.7
4,482,585 A	11/1984	Ohodaira et al.	428/35	5,565,160 A	10/1996	Makuuchi et al.	264/485
4,501,781 A	2/1985	Kushida et al.	428/35	5,613,957 A	3/1997	Py	604/294
4,578,295 A	3/1986	Jabarin	428/35	5,615,795 A	4/1997	Tipps	220/410
4,579,757 A	4/1986	Su et al.	428/35	5,641,004 A	6/1997	Py	141/3
4,603,066 A	7/1986	Jabarin	428/35	5,676,267 A	10/1997	Slat et al.	215/12.1
4,636,412 A	1/1987	Field	428/35	5,685,869 A	11/1997	Py	604/294
4,700,838 A	10/1987	Falciani et al.	206/438	5,687,882 A	11/1997	Mueller	222/212
4,704,510 A	11/1987	Matsui	219/10.55 E	5,746,728 A	5/1998	Py	604/298
4,784,652 A	11/1988	Wikström	604/295	5,780,130 A	7/1998	Hansen et al.	428/35.7
4,854,481 A	8/1989	Bohl et al.	222/94	5,803,311 A	9/1998	Fuchs	222/105
4,859,513 A	8/1989	Gibbons et al.	428/34.2	5,804,236 A	9/1998	Frisk	426/106
4,880,675 A	11/1989	Mehta	428/35.7	5,816,772 A	10/1998	Py	414/786
4,910,147 A	3/1990	Bacehowski et al.	435/296	5,875,931 A	3/1999	Py	222/137
4,921,733 A	5/1990	Gibbons et al.	428/34.2	5,931,386 A	8/1999	Jouillat	239/463
4,981,479 A	1/1991	Py	604/302	5,944,702 A	8/1999	Py	604/298
5,102,705 A	4/1992	Yammoto et al.	428/36.92	D413,668 S *	9/1999	Mannberg et al.	D24/120
5,238,153 A	8/1993	Castillo et al.	222/189	RE36,410 E	11/1999	Meshberg	141/2
5,263,946 A	11/1993	Klug	604/327	6,033,384 A	3/2000	Py	604/186
5,267,986 A	12/1993	Py	604/294	6,062,430 A	5/2000	Fuchs	222/105
5,320,845 A	6/1994	Py	424/427	6,343,713 B1	2/2002	Abplanalp	222/95
5,366,108 A	11/1994	Darling	222/1	D485,489 S	1/2004	Kadlubowski et al.	D9/300
5,401,259 A *	3/1995	Py	604/294	D492,192 S *	6/2004	Py et al.	D9/688
				D495,946 S *	9/2004	Py et al.	D9/685

* cited by examiner

FIG. 1

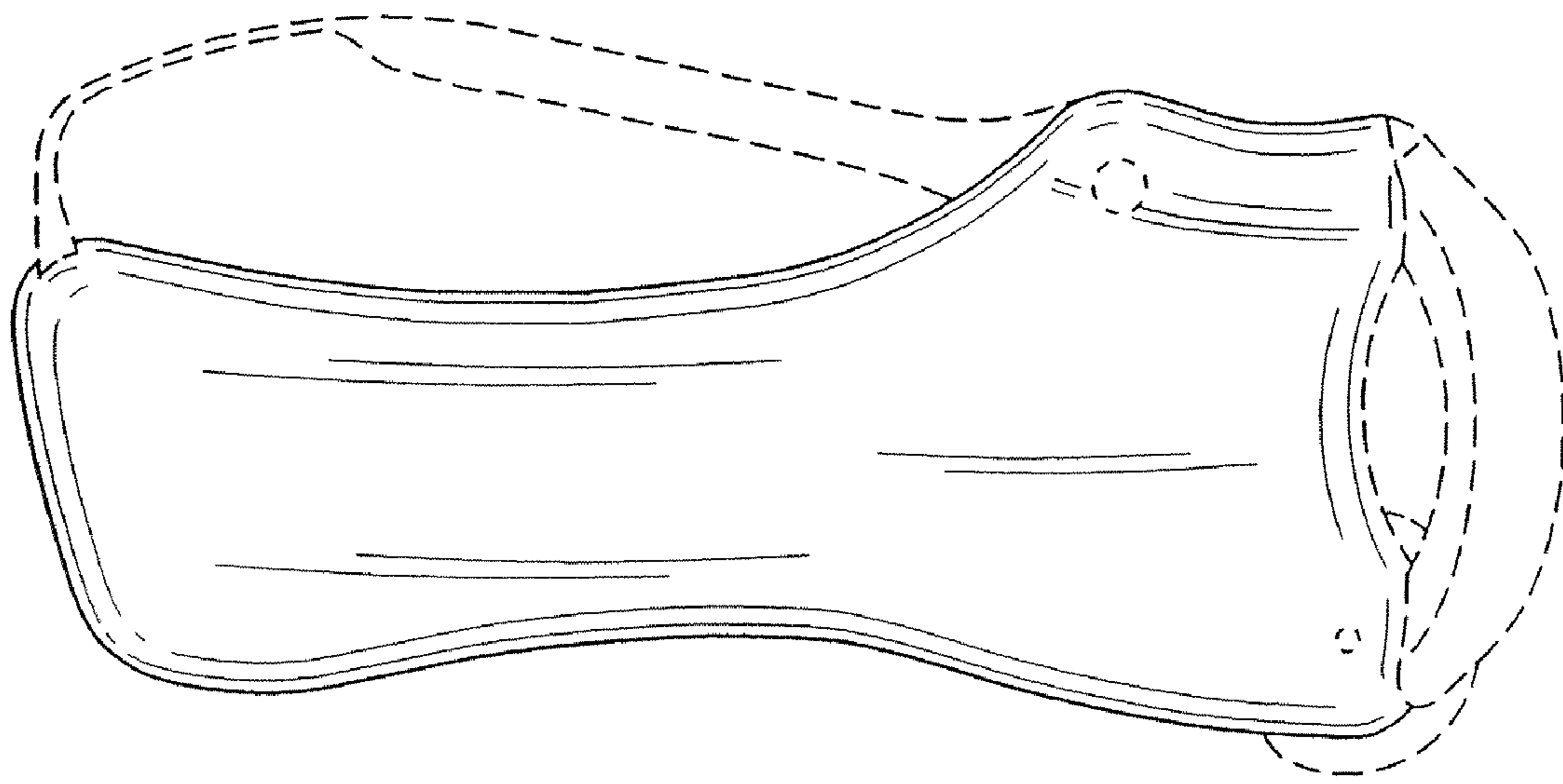


FIG. 2

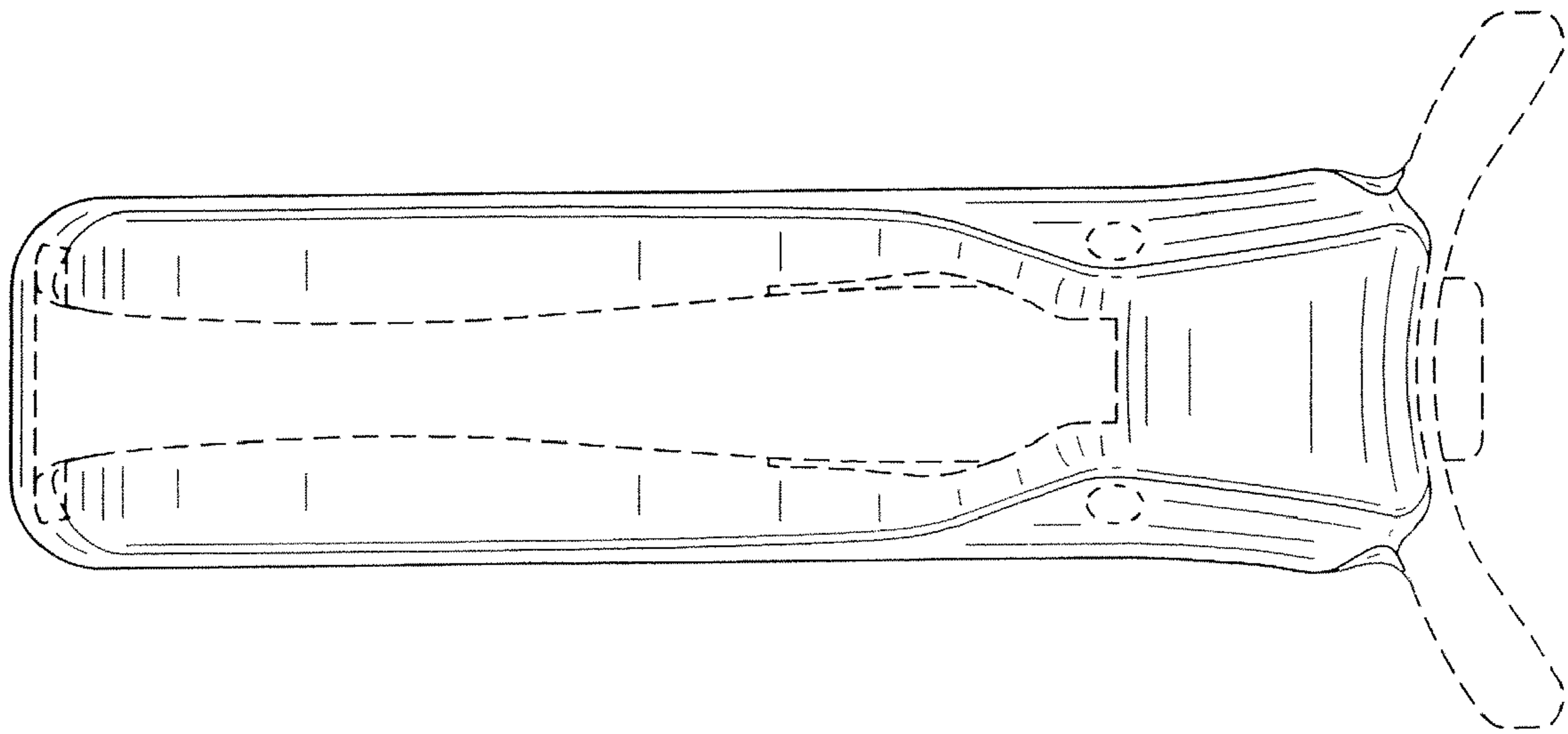


FIG. 3

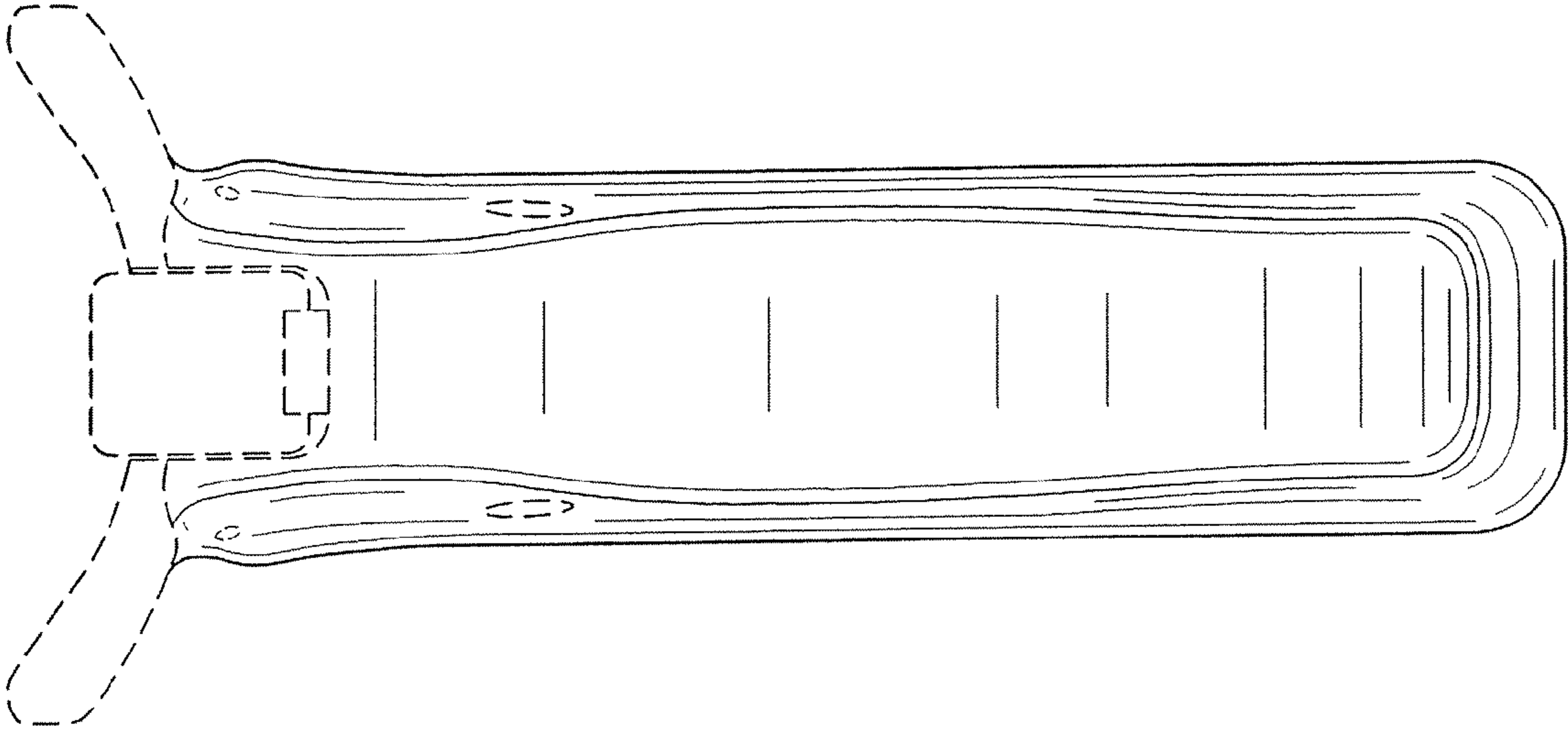


FIG. 4

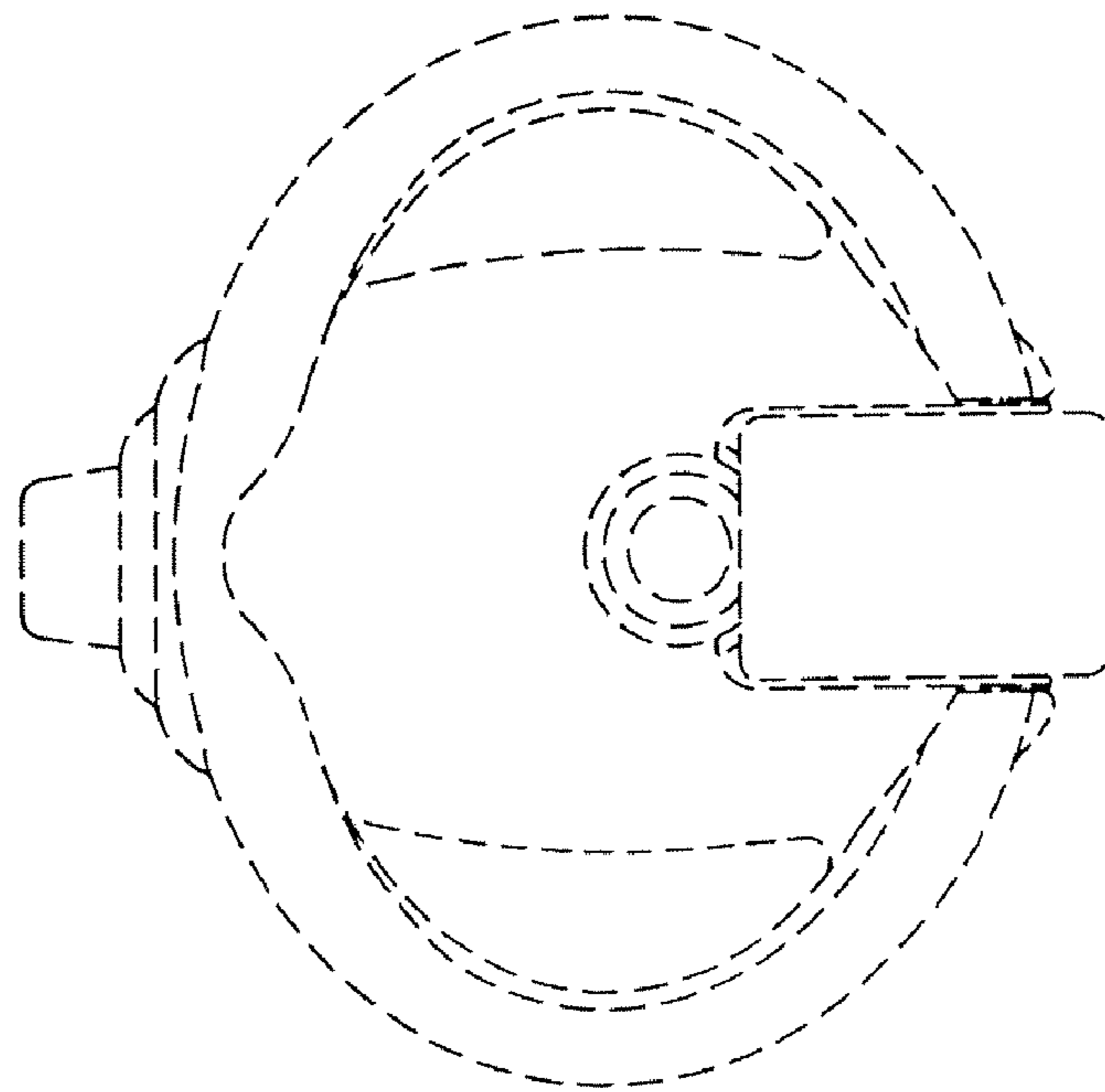


FIG. 5

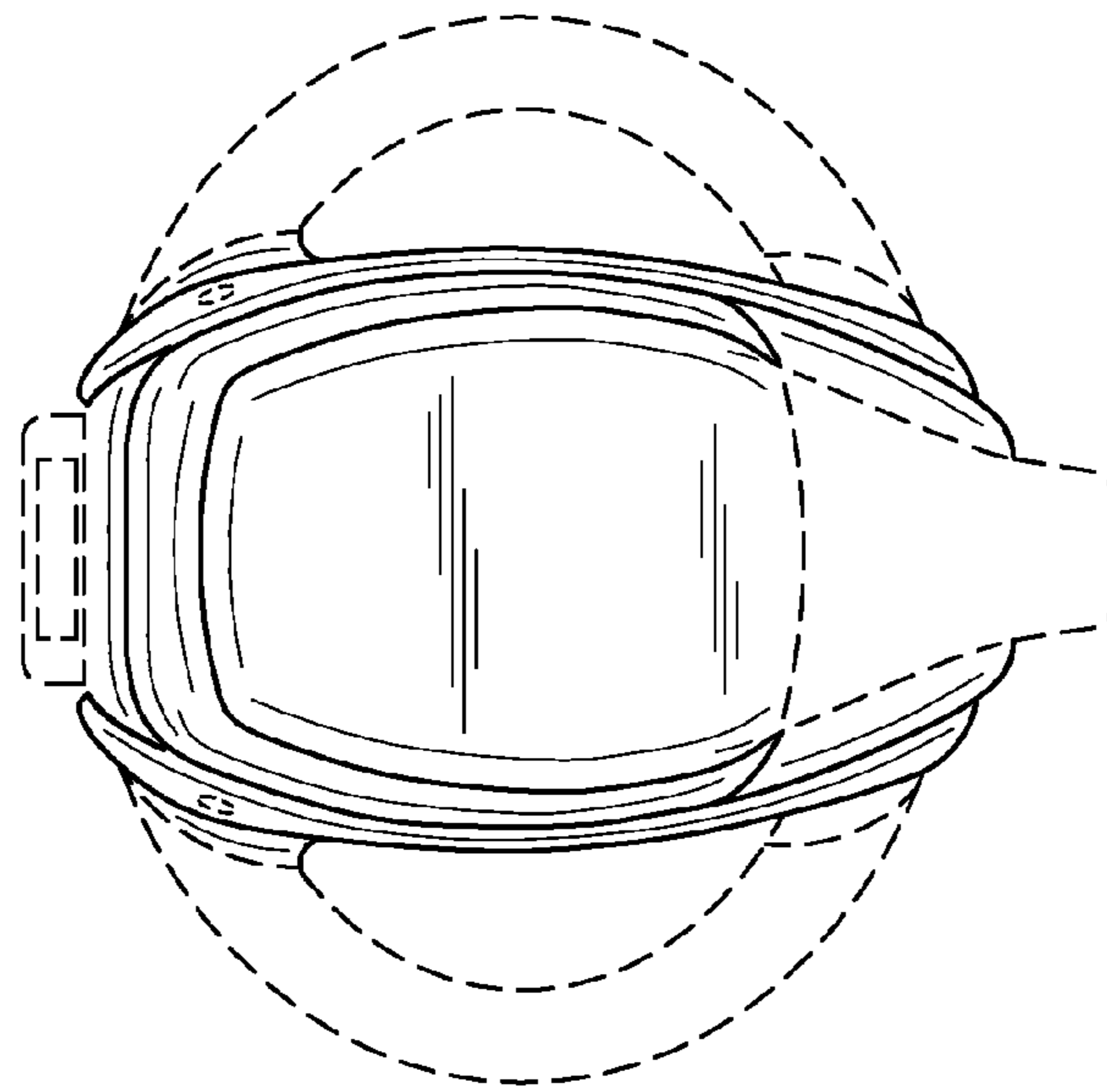


FIG. 6

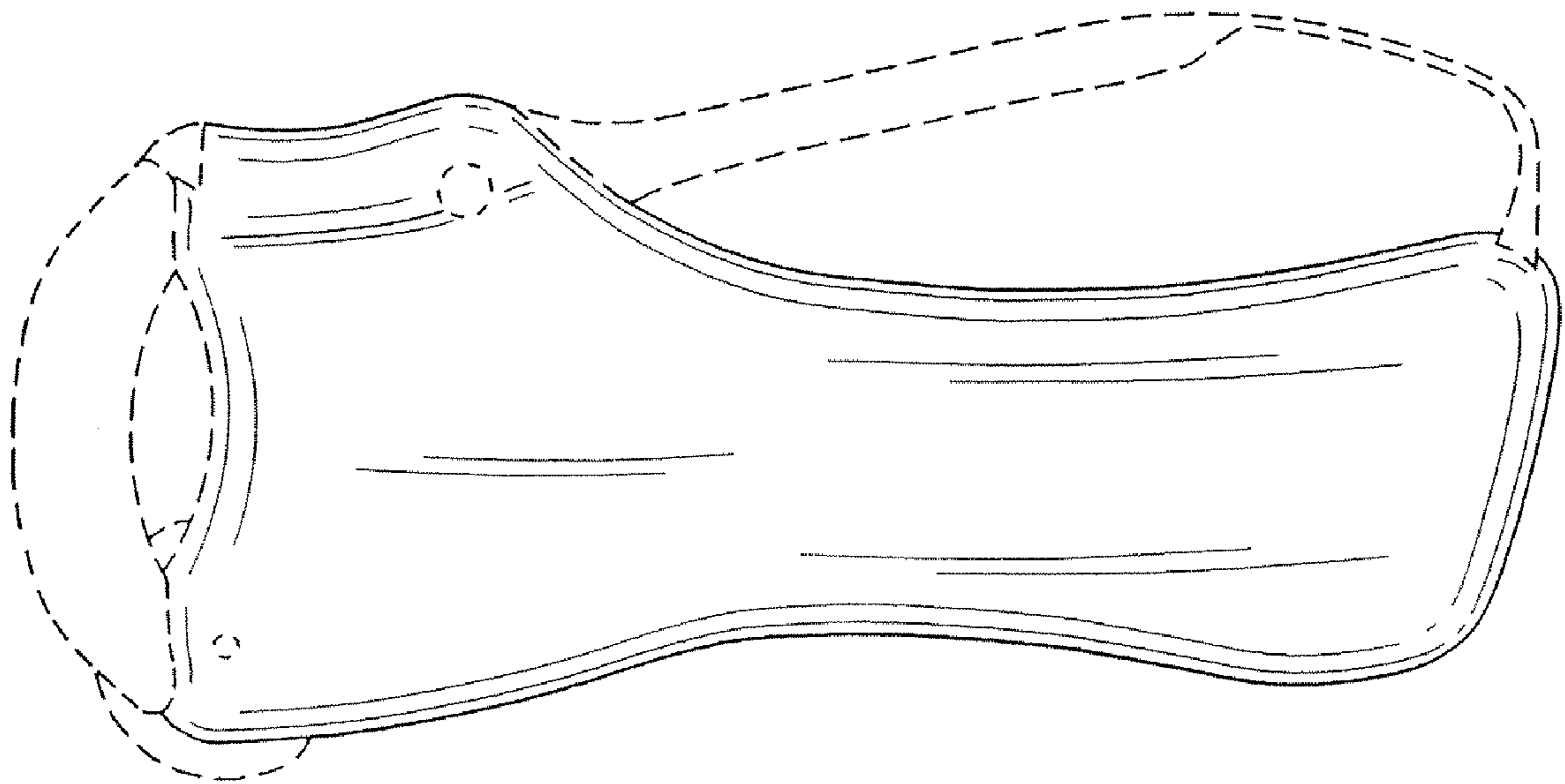


FIG. 7

