



US00D587375S

(12) **United States Design Patent**  
**Mao et al.**

(10) **Patent No.:** **US D587,375 S**  
(45) **Date of Patent:** **\*\* Feb. 24, 2009**

(54) **CEREBRAL SENSOR**

(75) Inventors: **Jimmy Jian-min Mao**, Fremont, CA (US); **Robert E. Lash**, Redwood City, CA (US)

(73) Assignee: **ViOptix, Inc.**, Fremont, CA (US)

(\*\*) Term: **14 Years**

(21) Appl. No.: **29/305,102**

(22) Filed: **Mar. 13, 2008**

**Related U.S. Application Data**

(63) Continuation of application No. 29/281,301, filed on Jun. 20, 2007, now Pat. No. Des. 568,479.

(51) **LOC (9) Cl.** ..... **24-01**

(52) **U.S. Cl.** ..... **D24/168**

(58) **Field of Classification Search** ..... D24/158, D24/167, 168, 187; 600/384, 391, 393; 607/142, 607/148, 152

See application file for complete search history.

(56) **References Cited**

**U.S. PATENT DOCUMENTS**

D243,476 S *	2/1977	Avery	.....	D24/187
D321,761 S	11/1991	Shimizu		
D327,325 S	6/1992	Strand		
5,139,025 A	8/1992	Lewis et al.		
5,217,013 A	6/1993	Lewis et al.		
D343,684 S *	1/1994	Paton et al.	.....	D24/189
D361,619 S *	8/1995	Phleps et al.	.....	D24/158
5,465,714 A	11/1995	Schening		
5,477,853 A	12/1995	Farkas et al.		
5,482,034 A	1/1996	Lewis et al.		
5,584,296 A	12/1996	Cui et al.		
5,697,367 A	12/1997	Lewis et al.		
5,795,292 A	8/1998	Lewis et al.		
D409,307 S *	5/1999	Phleps et al.	.....	D24/158
5,902,235 A	5/1999	Lewis et al.		
D425,203 S	5/2000	Sheehan et al.		

6,516,209 B2	2/2003	Cheng et al.		
D471,281 S	3/2003	Baura et al.		
6,587,703 B2	7/2003	Cheng et al.		
6,597,931 B1	7/2003	Cheng et al.		
6,615,065 B1	9/2003	Barrett et al.		
6,735,458 B2	5/2004	Cheng et al.		
D495,055 S	8/2004	Siber		
6,782,293 B2 *	8/2004	Dupelle et al.	.....	607/142
D504,722 S *	5/2005	Cianciosi	.....	D24/158
7,247,142 B1	7/2007	Elmandjra et al.		
7,355,688 B2	4/2008	Lash et al.		
2002/0091335 A1	7/2002	John et al.		
2005/0268916 A1	12/2005	Mumford et al.		
2007/0038251 A1	2/2007	Pachon et al.		
2007/0148260 A1	6/2007	Denault		
2007/0208269 A1	9/2007	Mumford et al.		

\* cited by examiner

*Primary Examiner*—Louis S Zarfaz

*Assistant Examiner*—Anhdao Doan

(74) *Attorney, Agent, or Firm*—Aka Chan LLP

(57) **CLAIM**

The ornamental design for a cerebral sensor, as shown and described.

**DESCRIPTION**

FIG. 1 shows a perspective view of a design for a cerebral sensor.

FIG. 2 shows a top view of the design.

FIG. 3 shows a bottom view of the design.

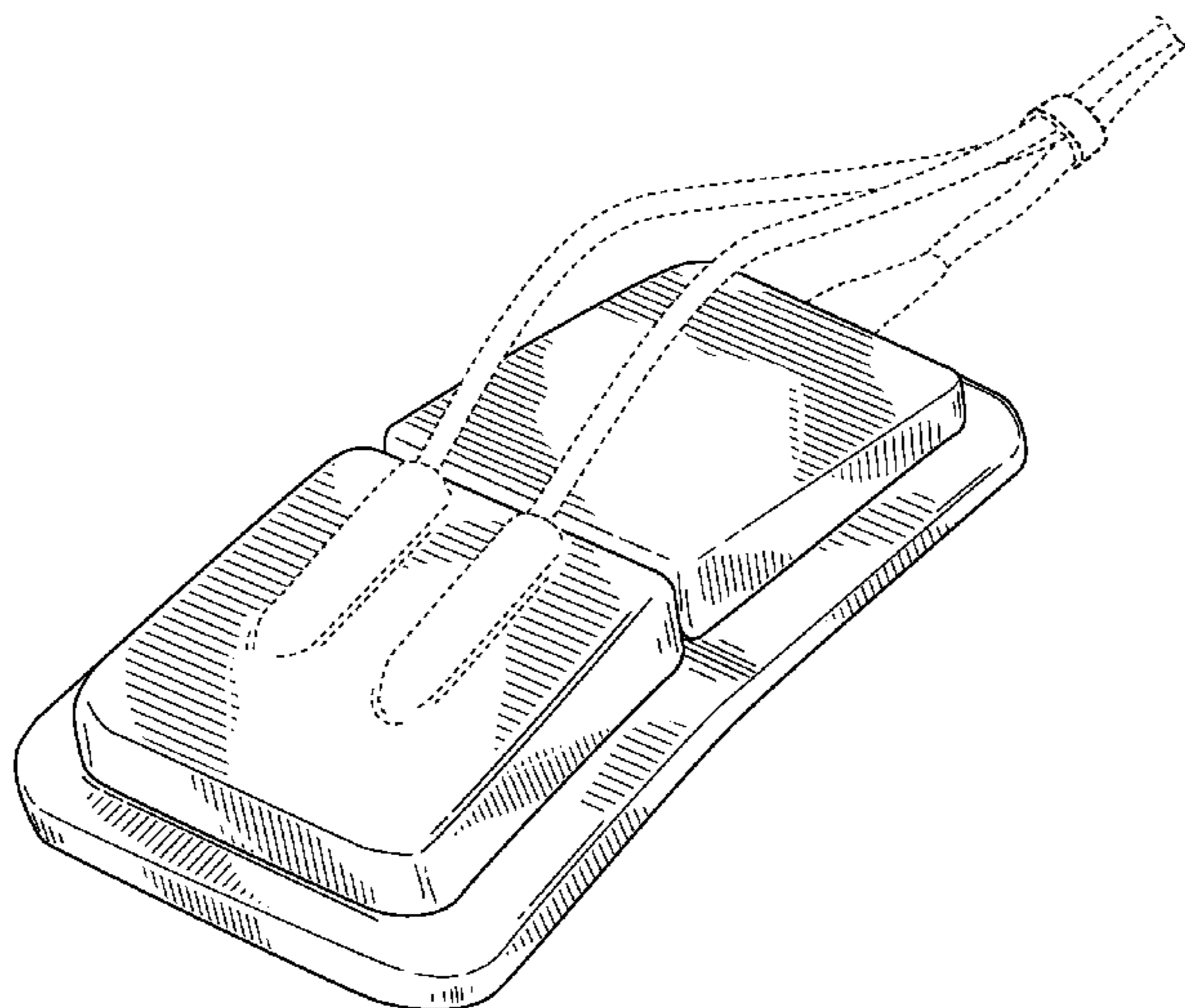
FIG. 4 shows a left side view of the design. A right side view of the design is a mirror image of the left side view.

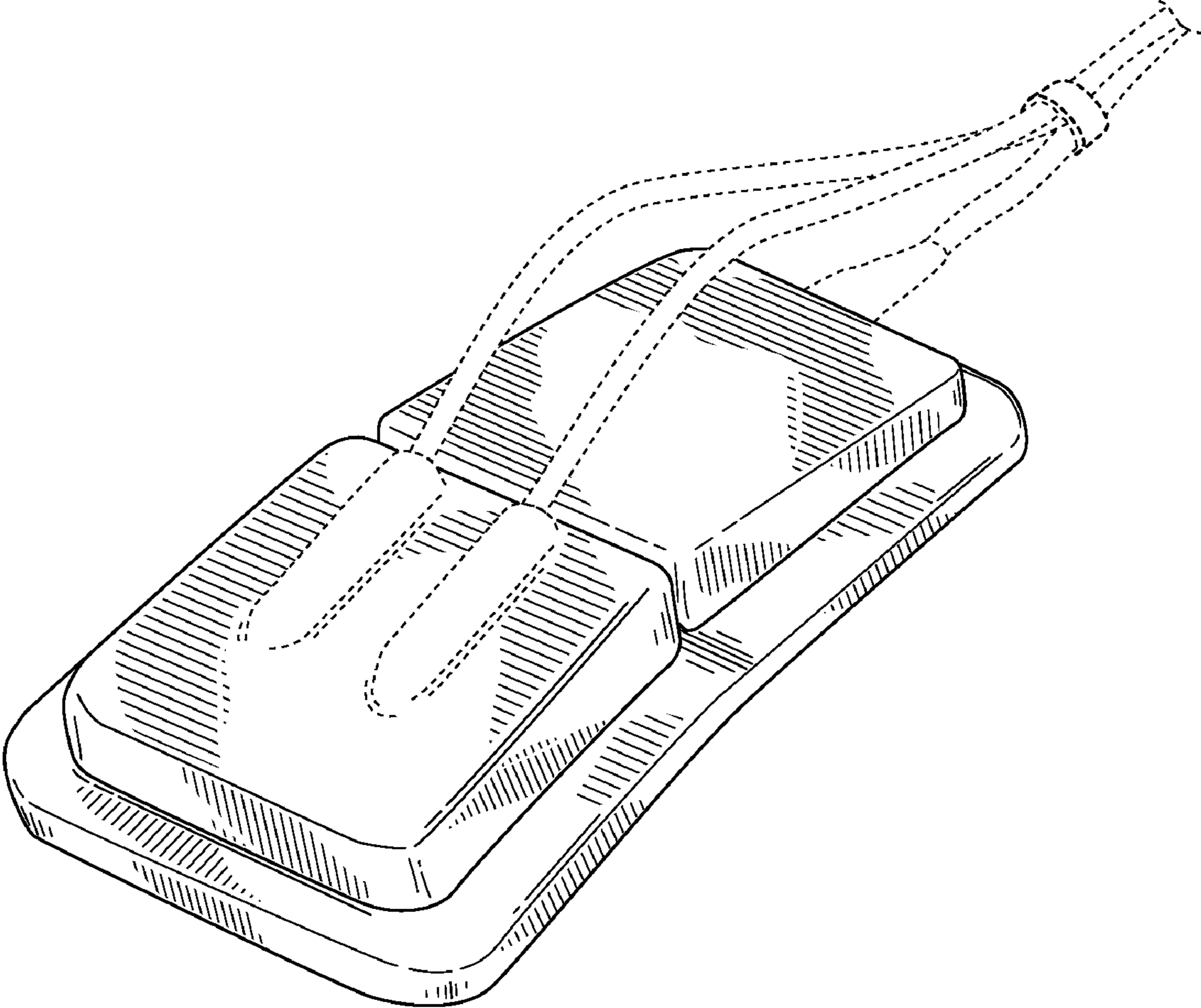
FIG. 5 shows a front view of the design; and,

FIG. 6 shows a view of the sensor when placed on a forehead of a person.

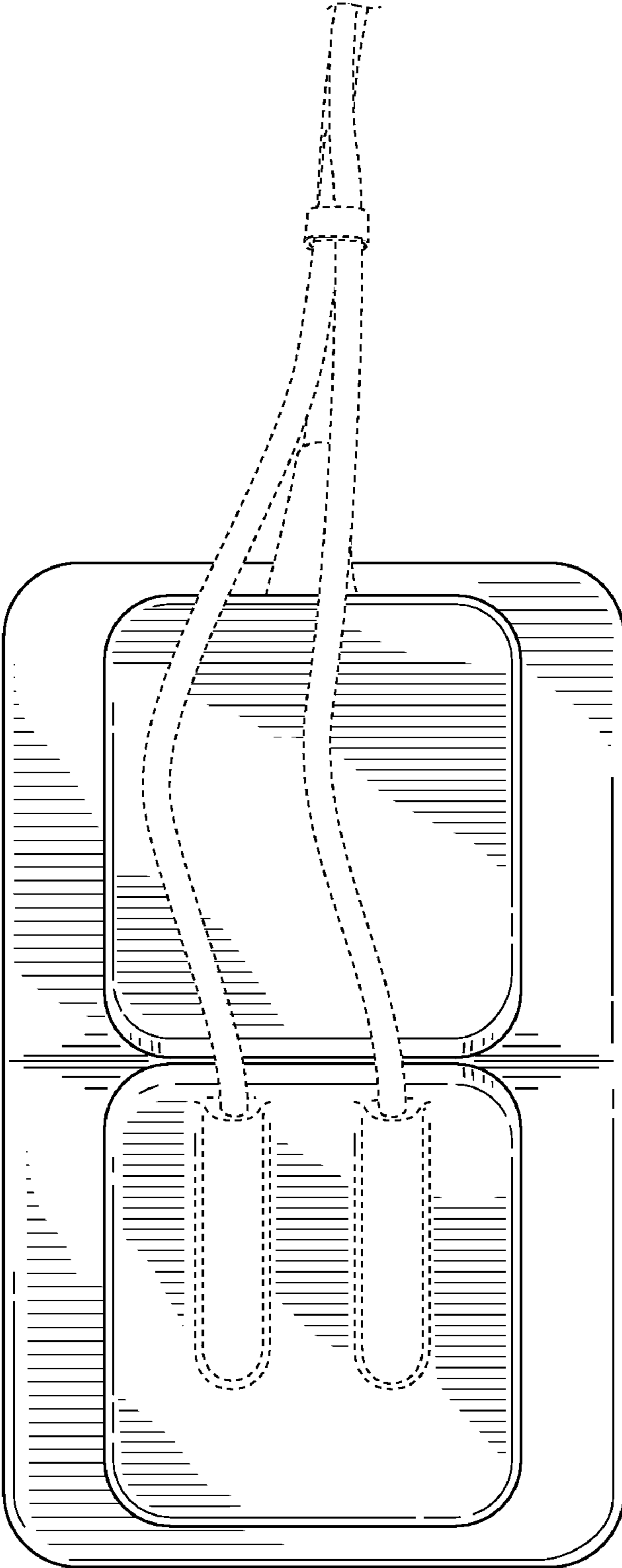
The broken lines in the figures are included for the purpose of illustrating portions of the cerebral sensor that form no part of the claimed design.

**1 Claim, 6 Drawing Sheets**

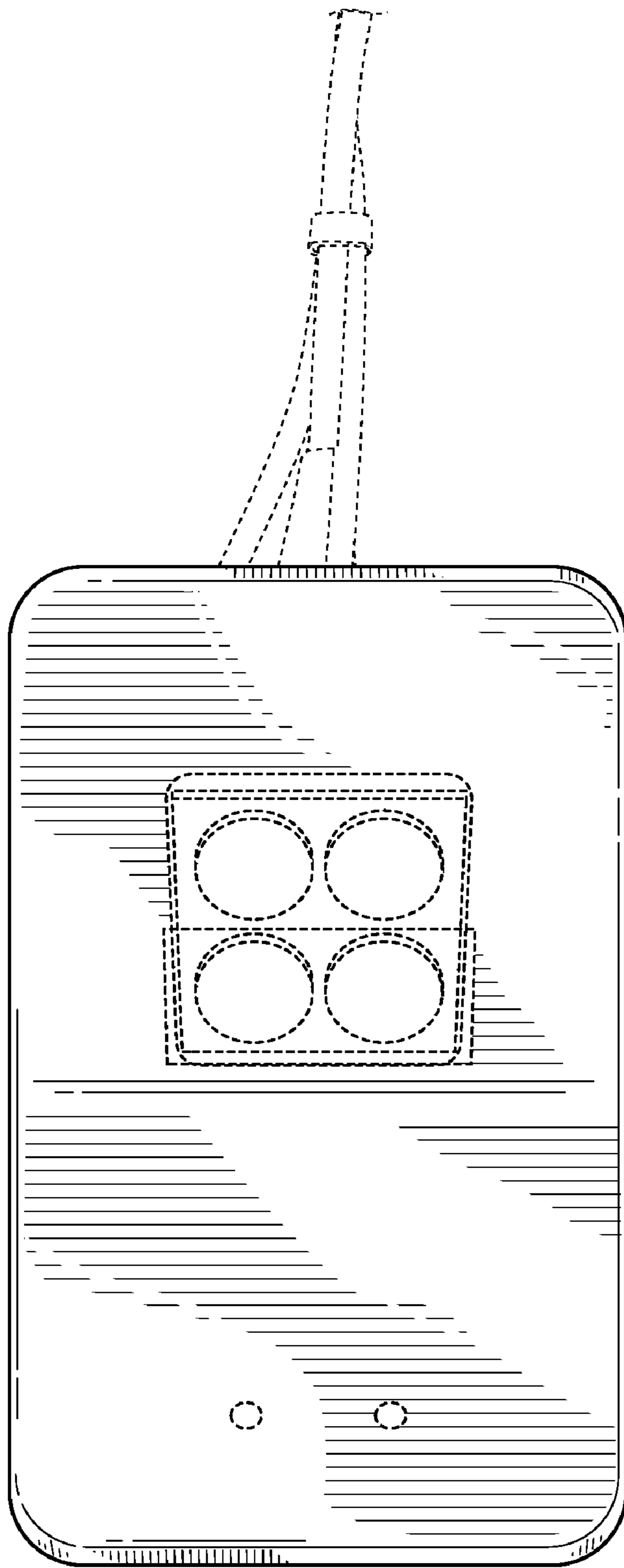




**FIG. 1**



**FIG. 2**



**FIG. 3**

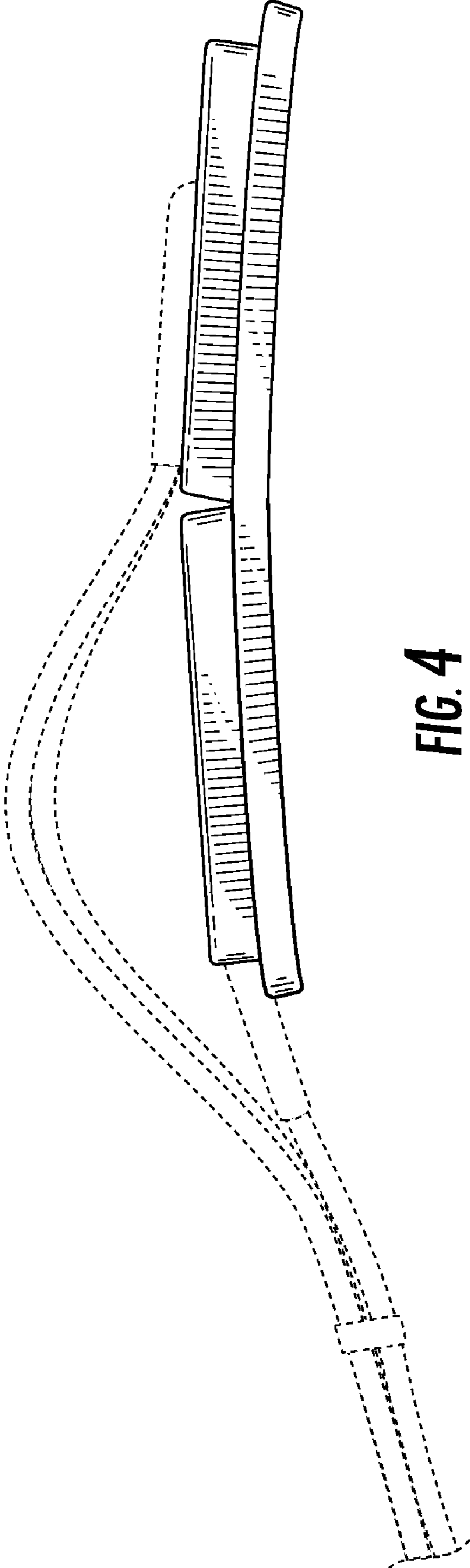
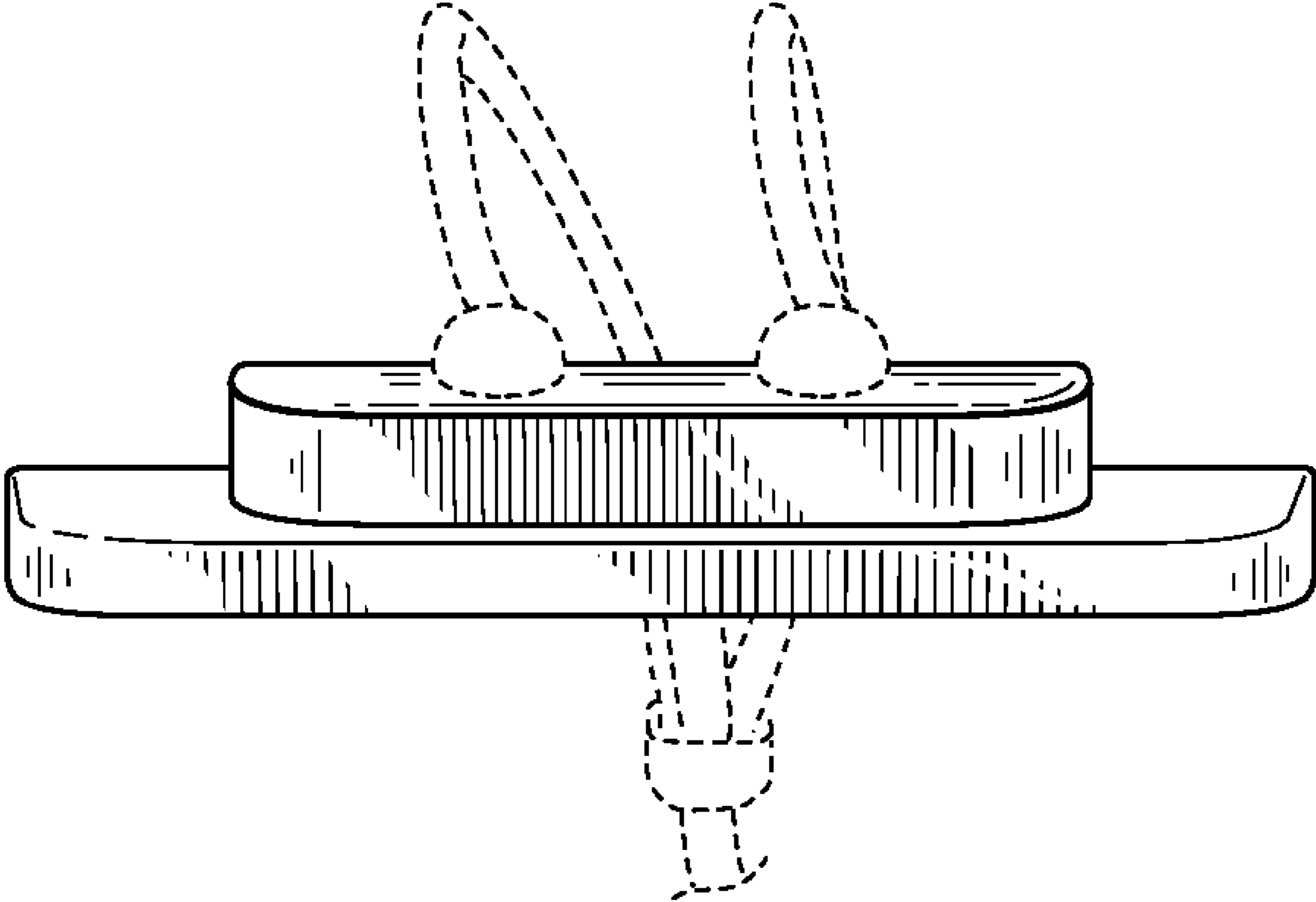
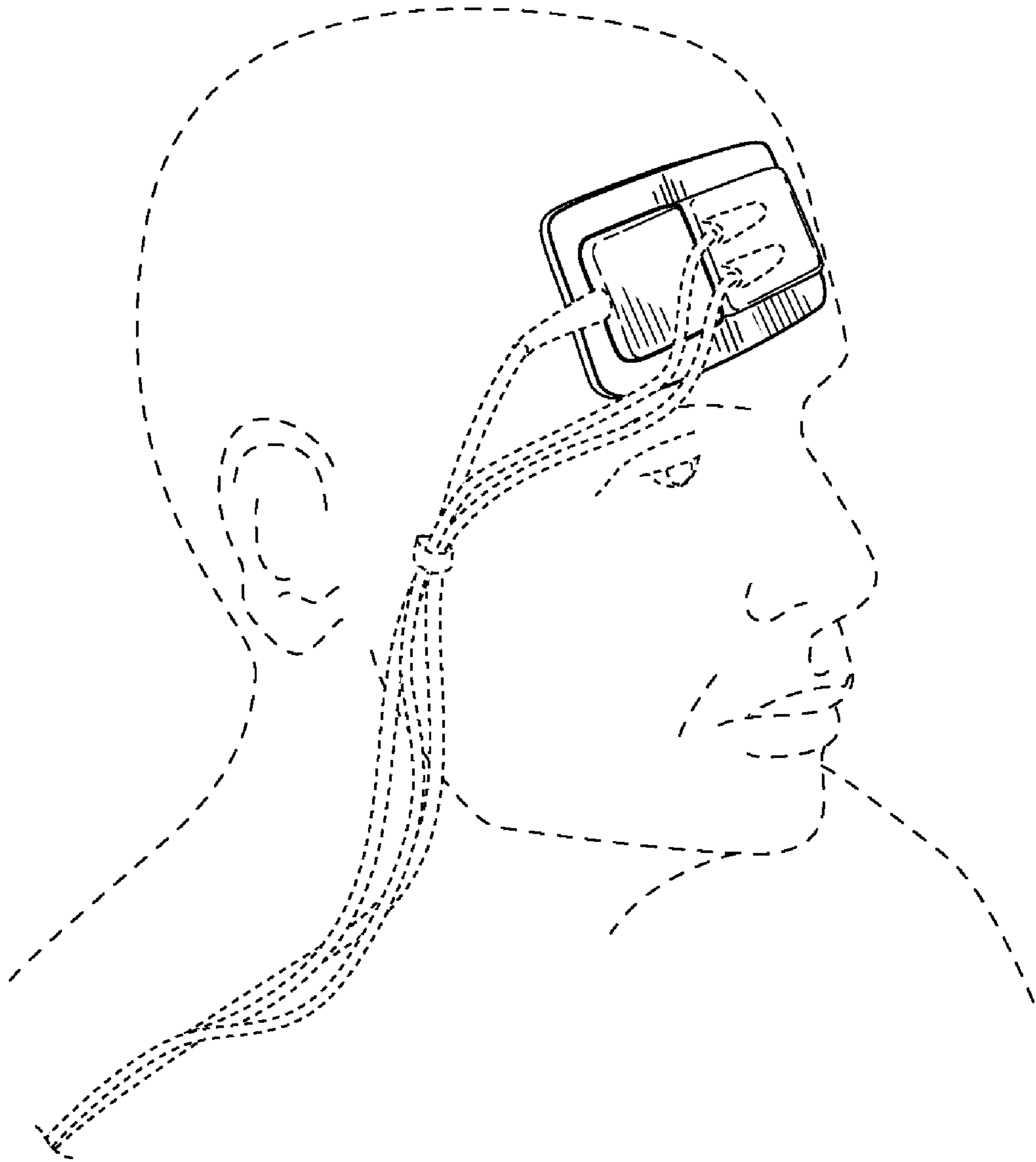


FIG. 4



**FIG. 5**



**FIG. 6**