



US00D587371S

(12) **United States Design Patent**
Purga et al.

(10) **Patent No.:** **US D587,371 S**
(45) **Date of Patent:** **** Feb. 24, 2009**

(54) **ABUTMENT FOR DENTAL IMPLANT**

(75) Inventors: **Johnny Purga**, Laufen (CH); **Ulrich Mundwiler**, Tenniken (CH); **Andreas Utz**, Freiburg (DE)

(73) Assignee: **Straumann Holding AG**, Basel (CH)

(**) Term: **14 Years**

(21) Appl. No.: **29/321,683**

(22) Filed: **Jul. 22, 2008**

Related U.S. Application Data

(62) Division of application No. 29/286,604, filed on May 14, 2007.

(30) **Foreign Application Priority Data**

Nov. 16, 2006 (EM) 000623749

(51) **LOC (9) Cl.** **24-03**

(52) **U.S. Cl.** **D24/156**

(58) **Field of Classification Search** D24/155,
D24/156, 107; 433/173, 176; D8/387, 388
See application file for complete search history.

(56) **References Cited**

U.S. PATENT DOCUMENTS

D317,200 S * 5/1991 Jorneus D24/156
D319,500 S * 8/1991 Soderberg D24/156
D353,674 S * 12/1994 Jorneus D24/156

D362,720 S * 9/1995 Holmen et al. D24/155
D374,079 S * 9/1996 Broberg D24/156
D374,080 S * 9/1996 Broberg D24/156
D414,556 S * 9/1999 Broberg et al. D24/156
6,261,097 B1 * 7/2001 Schmutz et al. 433/173
6,358,050 B1 * 3/2002 Bergstrom et al. 433/173
6,857,874 B2 * 2/2005 Kim 433/173
2003/0224328 A1 * 12/2003 Sopian 433/173

* cited by examiner

Primary Examiner—Charles A Rademaker

(74) *Attorney, Agent, or Firm*—Scully, Scott, Murphy & Presser, P.C.

(57) **CLAIM**

The ornamental design for the “abutment for a dental implant”, as shown and described.

DESCRIPTION

FIG. 1 is a bottom plan view of an abutment for a dental implant showing our new design;

FIG. 2 is a top perspective view thereof;

FIG. 3 is a front elevation thereof;

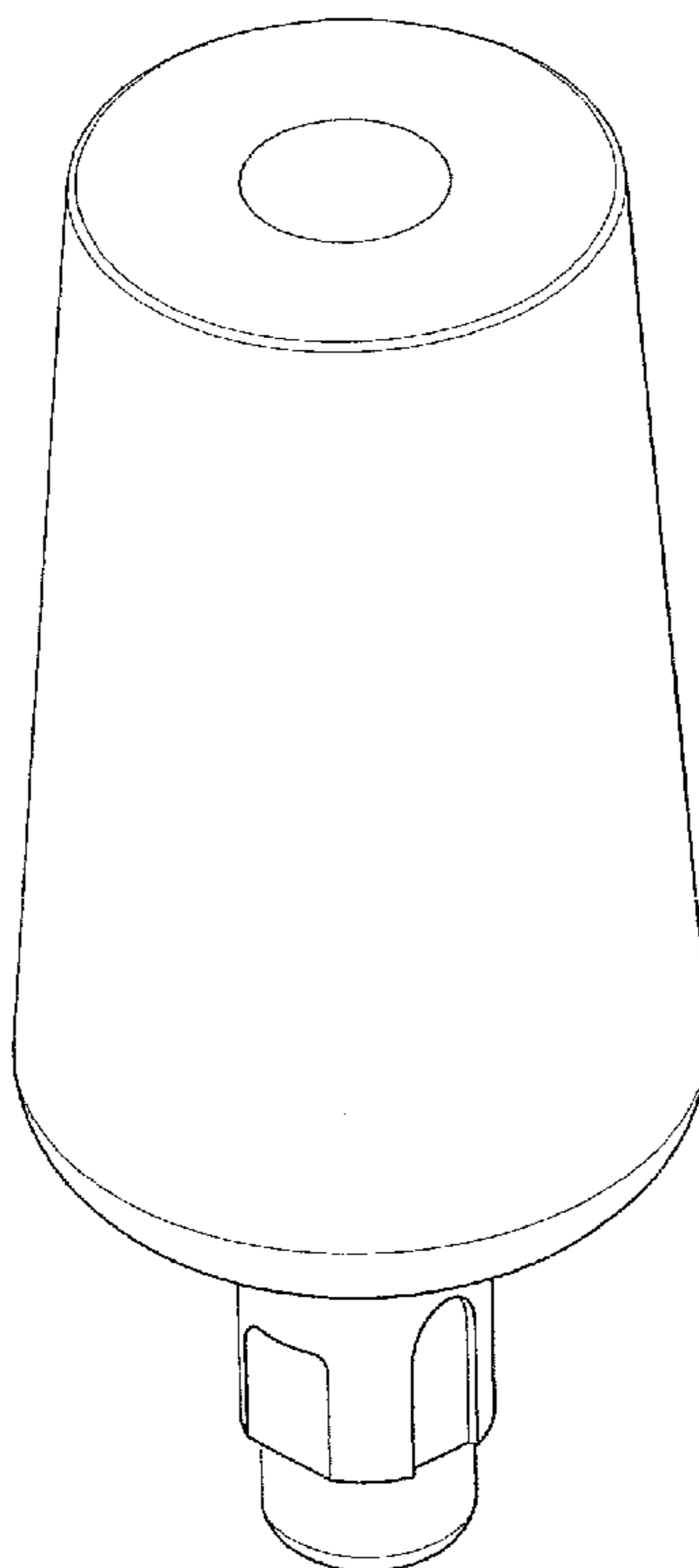
FIG. 4 is a left side elevation thereof, the side opposite being a mirror image;

FIG. 5 is a rear elevation thereof; and,

FIG. 6 is a bottom perspective view thereof; and,

FIG. 7 is a top plan view thereof.

1 Claim, 3 Drawing Sheets



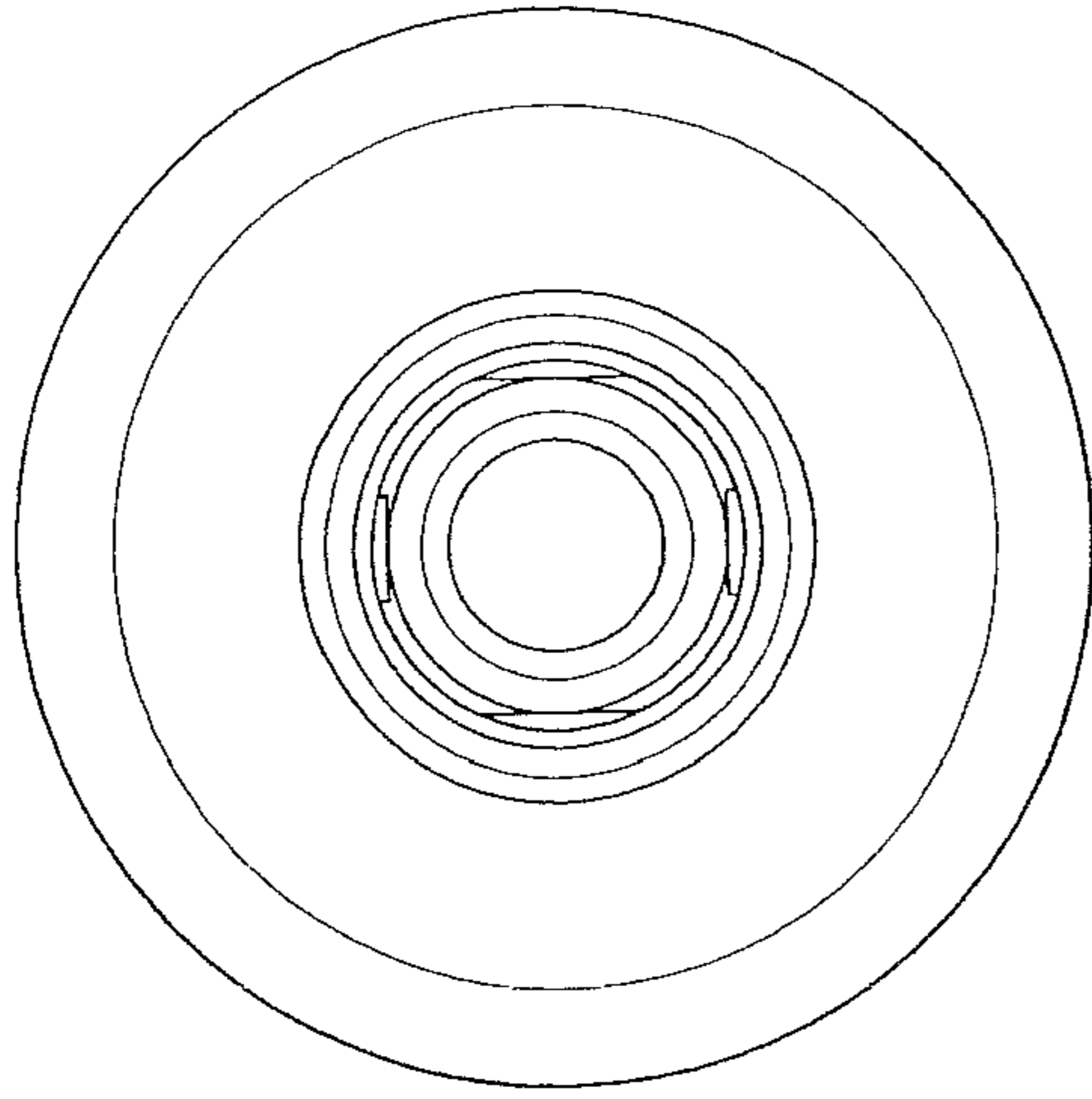


Fig. 1

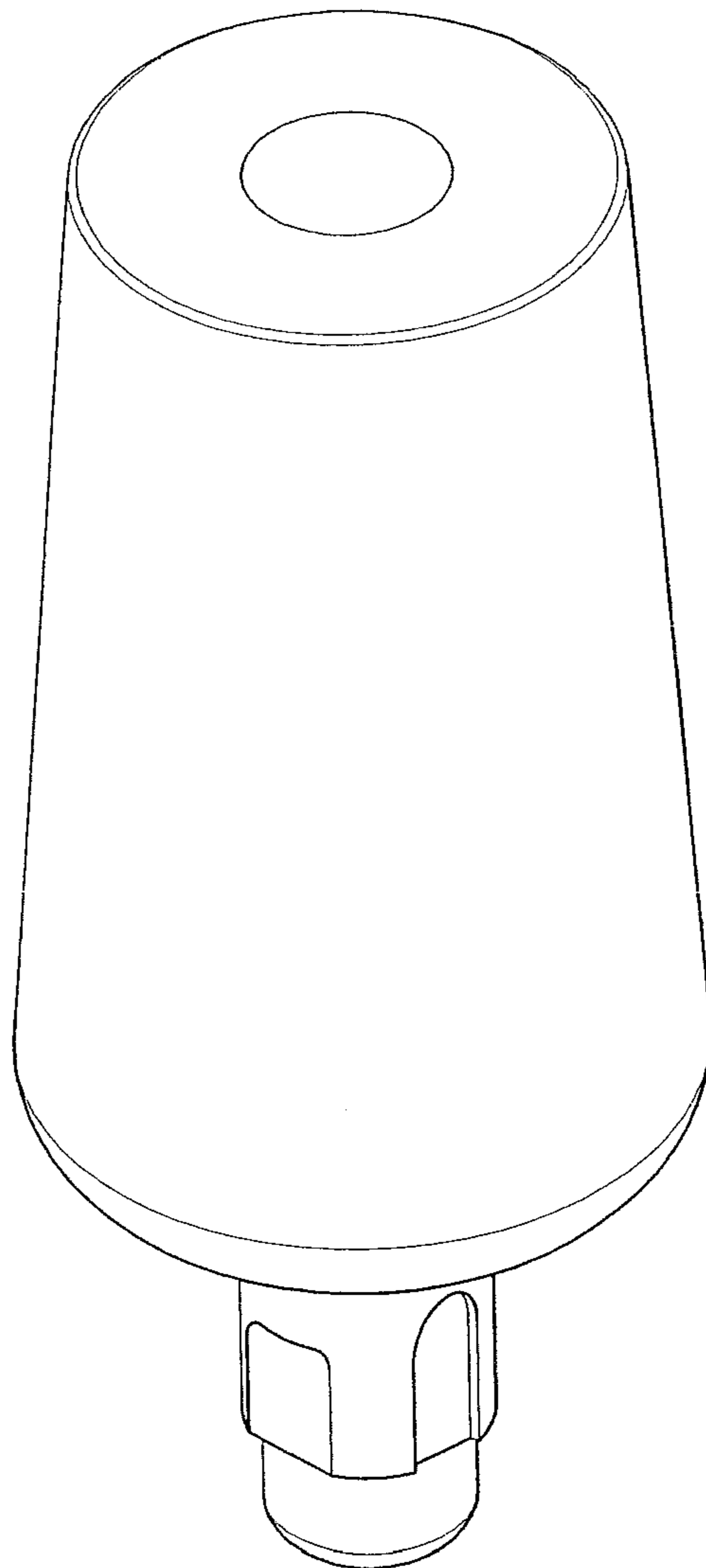


Fig. 2

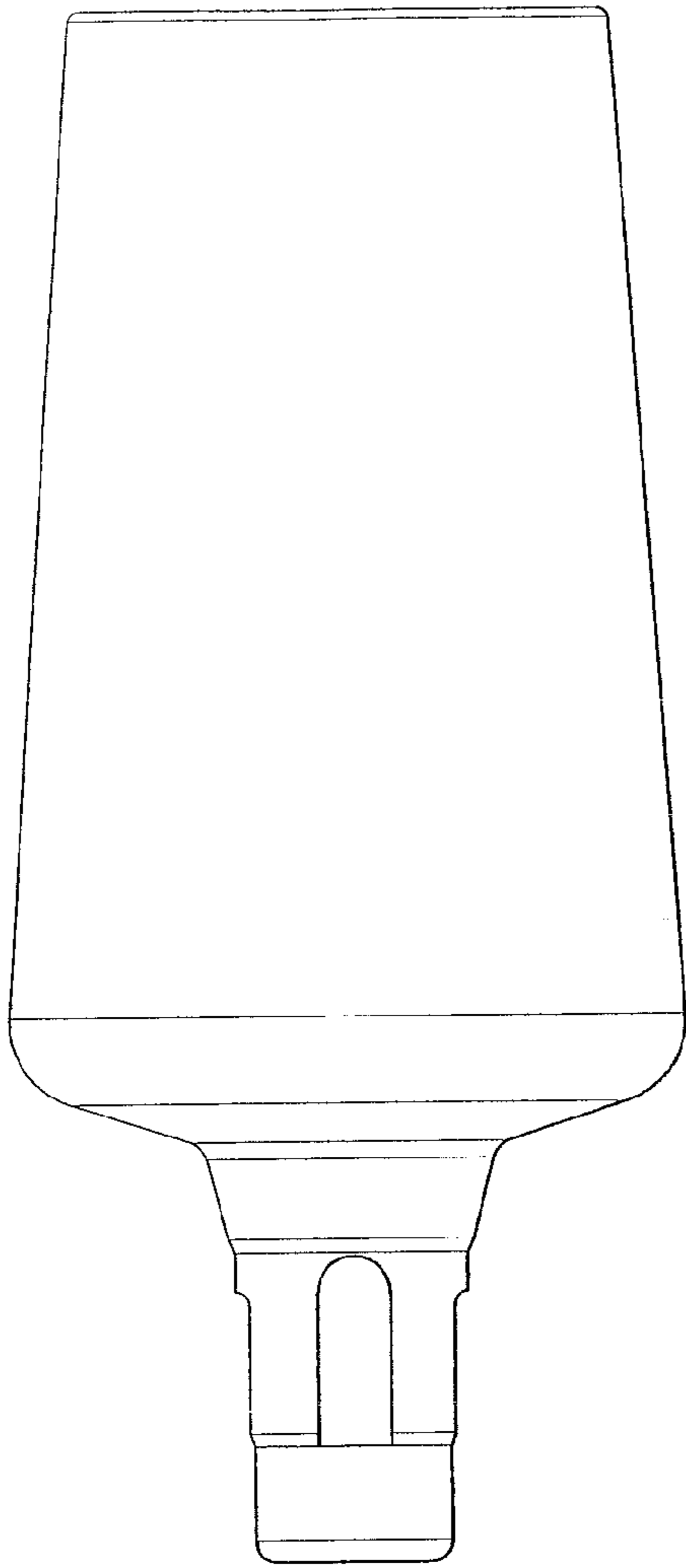


Fig. 3

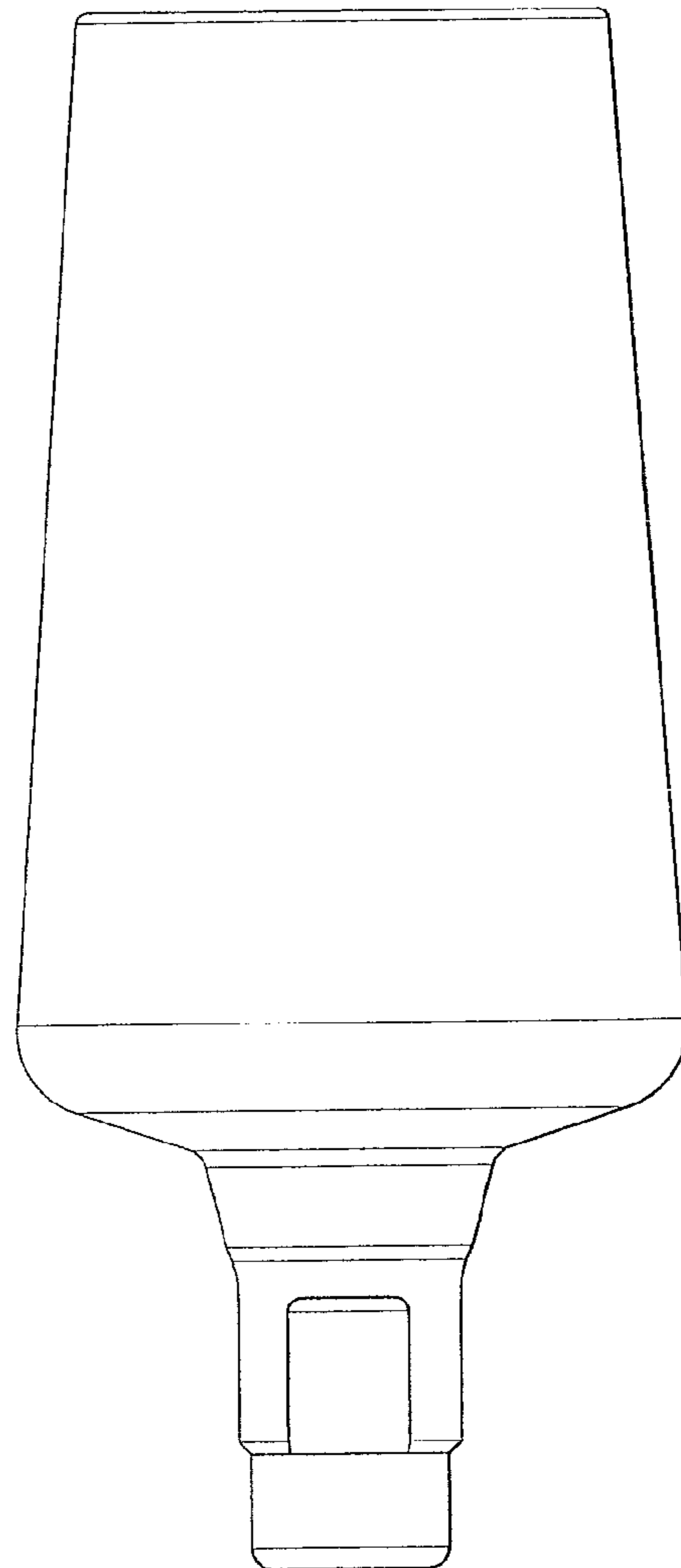


Fig. 4

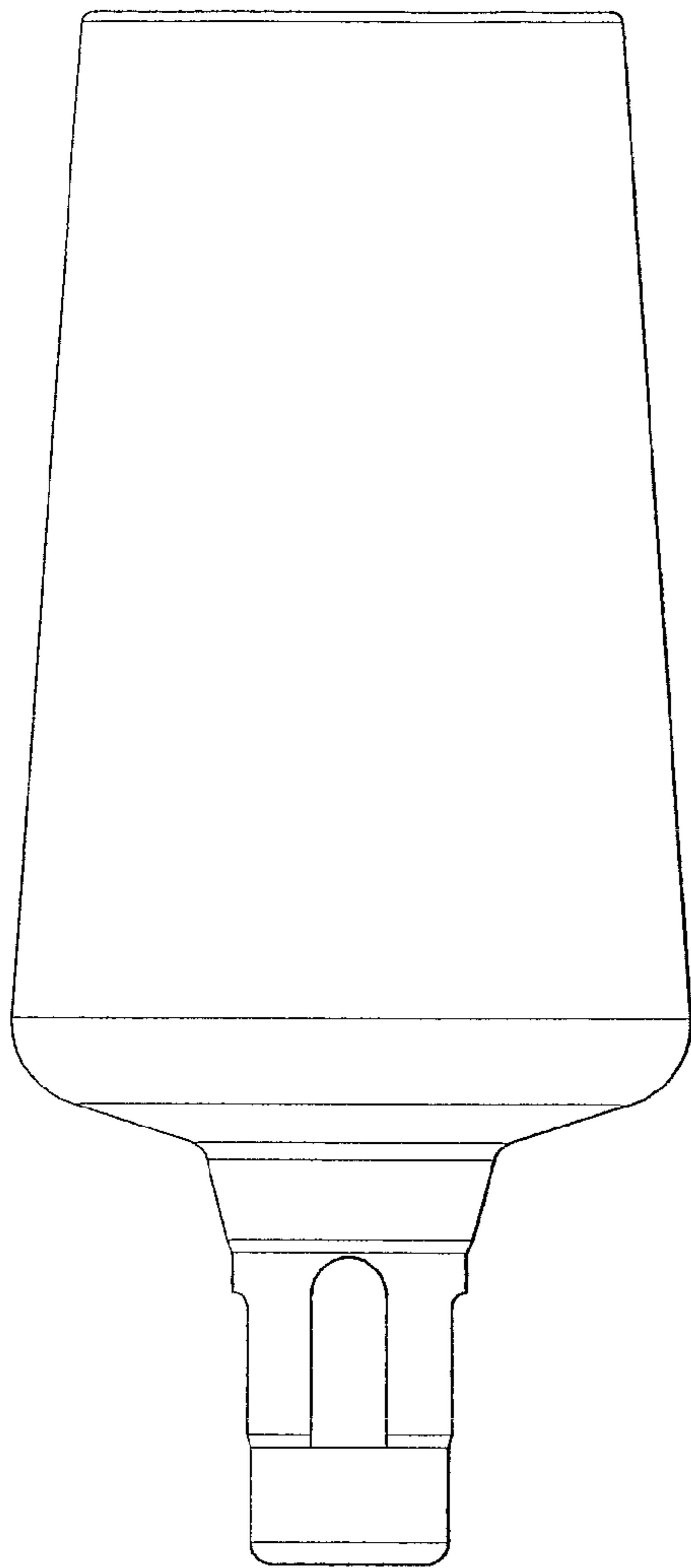


Fig. 5

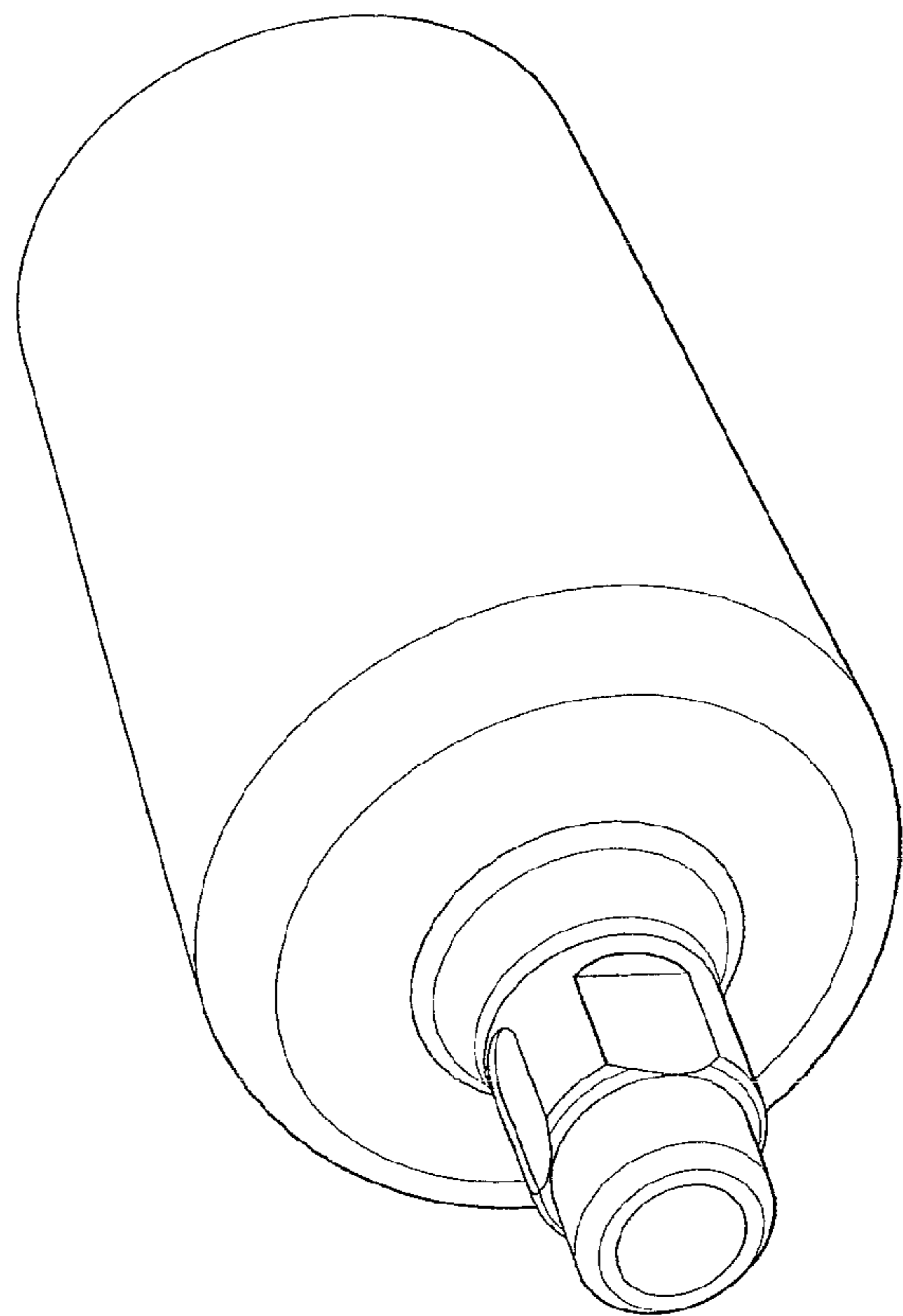


Fig. 6

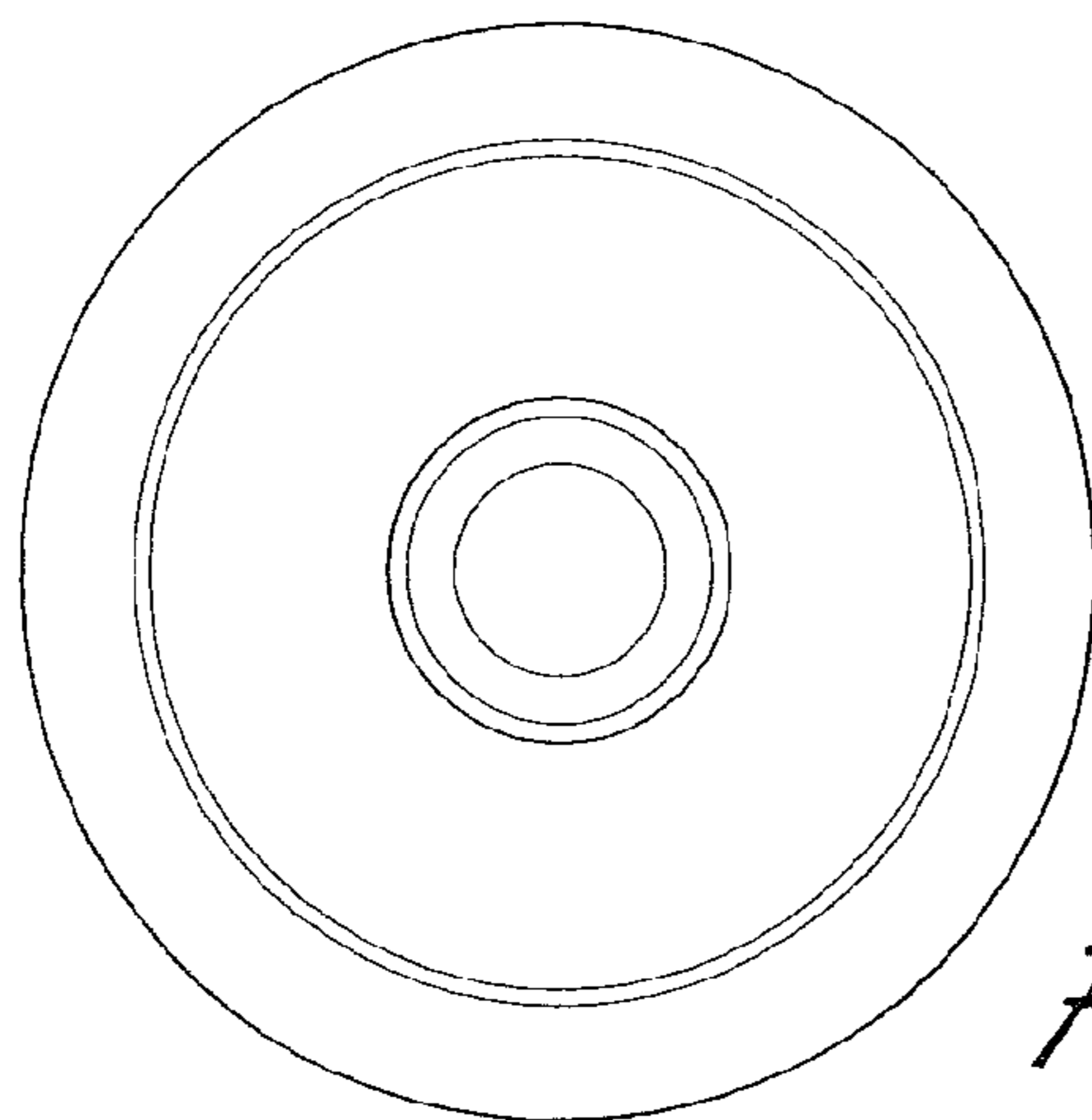


Fig. 7