



US00D587362S

(12) **United States Design Patent**
Weggelaar

(10) **Patent No.:** **US D587,362 S**

(45) **Date of Patent:** **** Feb. 24, 2009**

(54) **AIR DEODORISING APPARATUS**

(75) Inventor: **Bjorn Weggelaar**, Haarlem (NL)

(73) Assignee: **Sara Lee Household and Body Care Nederland B.V.**, Utrecht (NL)

(**) Term: **14 Years**

(21) Appl. No.: **29/289,960**

(22) Filed: **Aug. 8, 2007**

(30) **Foreign Application Priority Data**

Feb. 19, 2007 (EM) 000673041

(51) **LOC (9) Cl.** **28-99**

(52) **U.S. Cl.** **D23/366**

(58) **Field of Classification Search** D23/355-369;
261/DIG. 17, DIG. 42, DIG. 65, DIG. 88,
261/DIG. 89; D28/5, 6; 392/386, 390-394,
392/401, 404, 406; 239/34, 35, 41-44, 53-60,
239/136, 326

See application file for complete search history.

(56) **References Cited**

U.S. PATENT DOCUMENTS

4,214,146	A *	7/1980	Schimanski	392/390
4,391,781	A *	7/1983	van Lit	422/125
4,467,177	A *	8/1984	Zobele	392/392
D400,662	S *	11/1998	Davis	D23/366
D503,973	S *	4/2005	Millan	D23/366
D522,118	S	5/2006	Miro		
D539,407	S *	3/2007	Zobele	D23/366
D540,931	S *	4/2007	Luo	D23/366
D544,950	S *	6/2007	Zobele	D23/366
D551,333	S *	9/2007	Wu	D23/366

D554,746 S * 11/2007 Davis et al. D23/366
2007/0194144 A1 * 8/2007 Davis et al. 239/34

* cited by examiner

Primary Examiner—Sandra Snapp

(74) *Attorney, Agent, or Firm*—Foley & Lardner LLP

(57) **CLAIM**

I claim the ornamental design for a air deodorising apparatus, as shown.

DESCRIPTION

FIG. 1 is a top, front, left side perspective view of an air deodorising apparatus comprising the present invention.

FIG. 2 is top, rear, right side perspective view of the air deodorising apparatus shown in FIG. 1.

FIG. 3 is a front elevational view of the air deodorising apparatus shown in FIG. 1 and FIG. 2.

FIG. 4 is a rear elevational view of the air deodorising apparatus shown in FIG. 1, FIG. 2, and FIG. 3.

FIG. 5 is a left side elevational view of the air deodorising apparatus shown in FIG. 1, FIG. 2, FIG. 3, and FIG. 4.

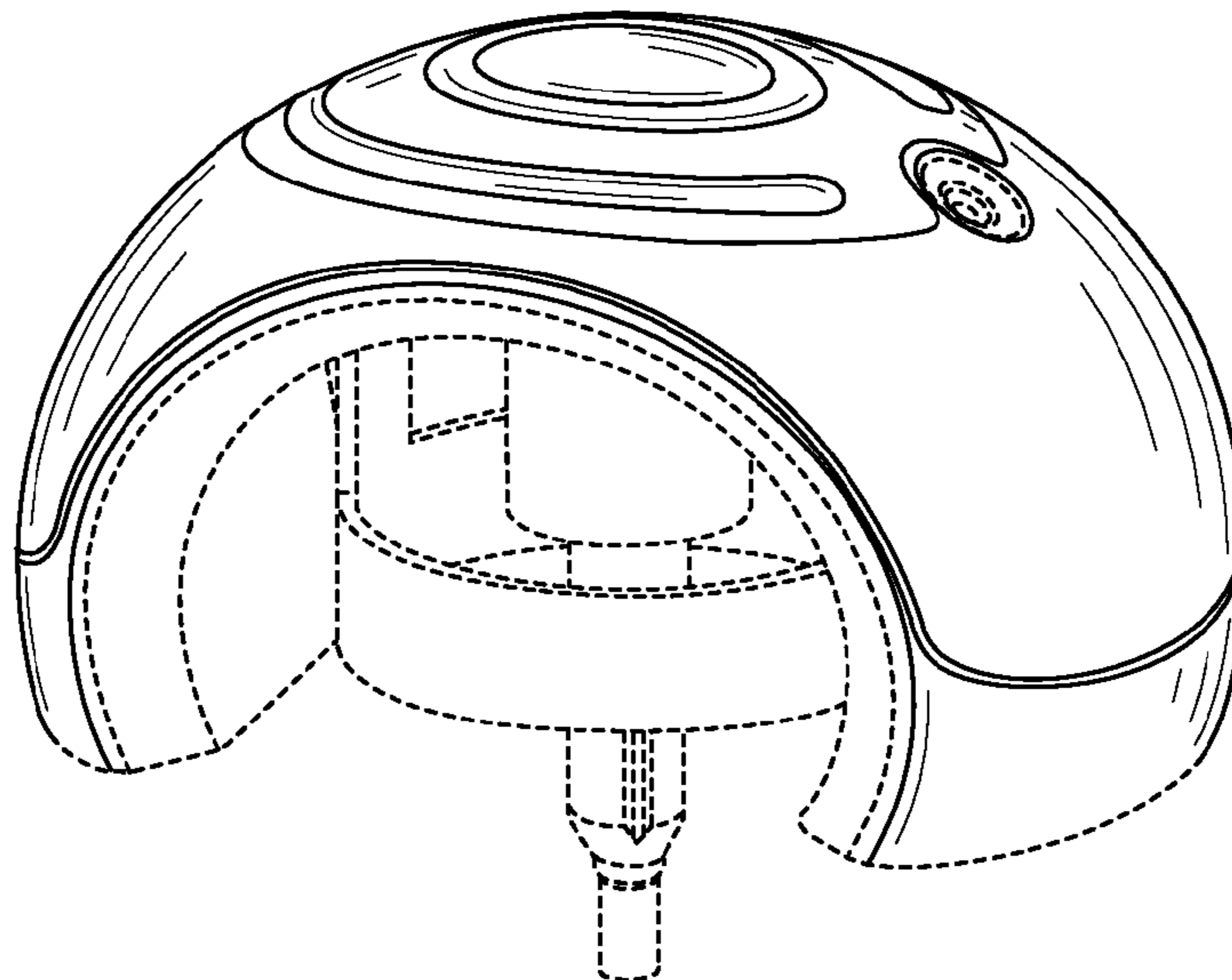
FIG. 6 is right side elevational view of the air deodorising apparatus shown in FIG. 1, FIG. 2, FIG. 3, FIG. 4, and FIG. 5.

FIG. 7 is a top plan view of the air deodorising apparatus shown in FIG. 1, FIG. 2, FIG. 3, FIG. 4, FIG. 5, and FIG. 6; and,

FIG. 8 is a bottom plan view of the air deodorising apparatus shown in FIG. 1, FIG. 2, FIG. 3, FIG. 4, FIG. 5, FIG. 6, and FIG. 7.

The broken lines shown in the drawings are for illustrative purposes only and form no part of the claimed design.

1 Claim, 8 Drawing Sheets



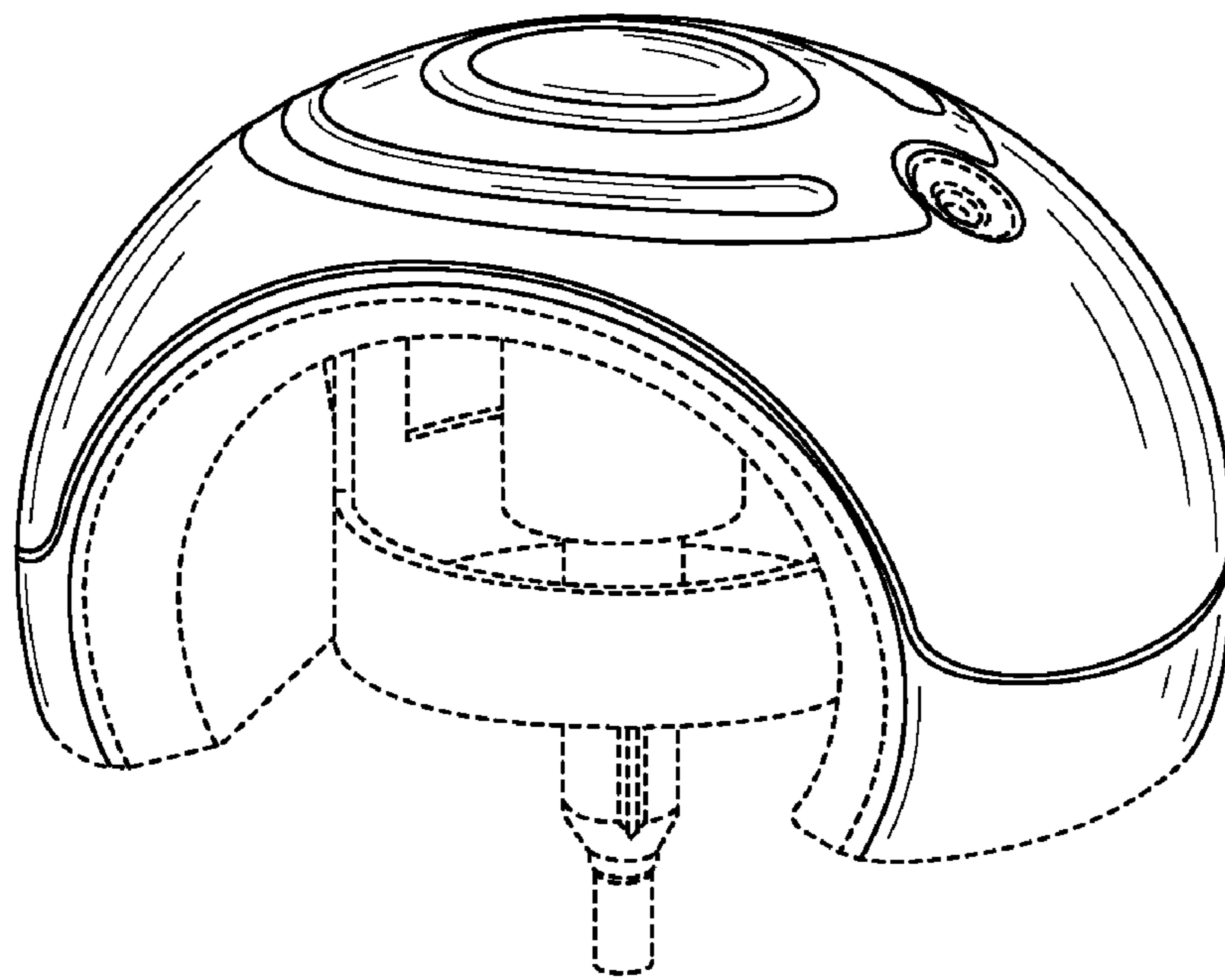


FIG. 1

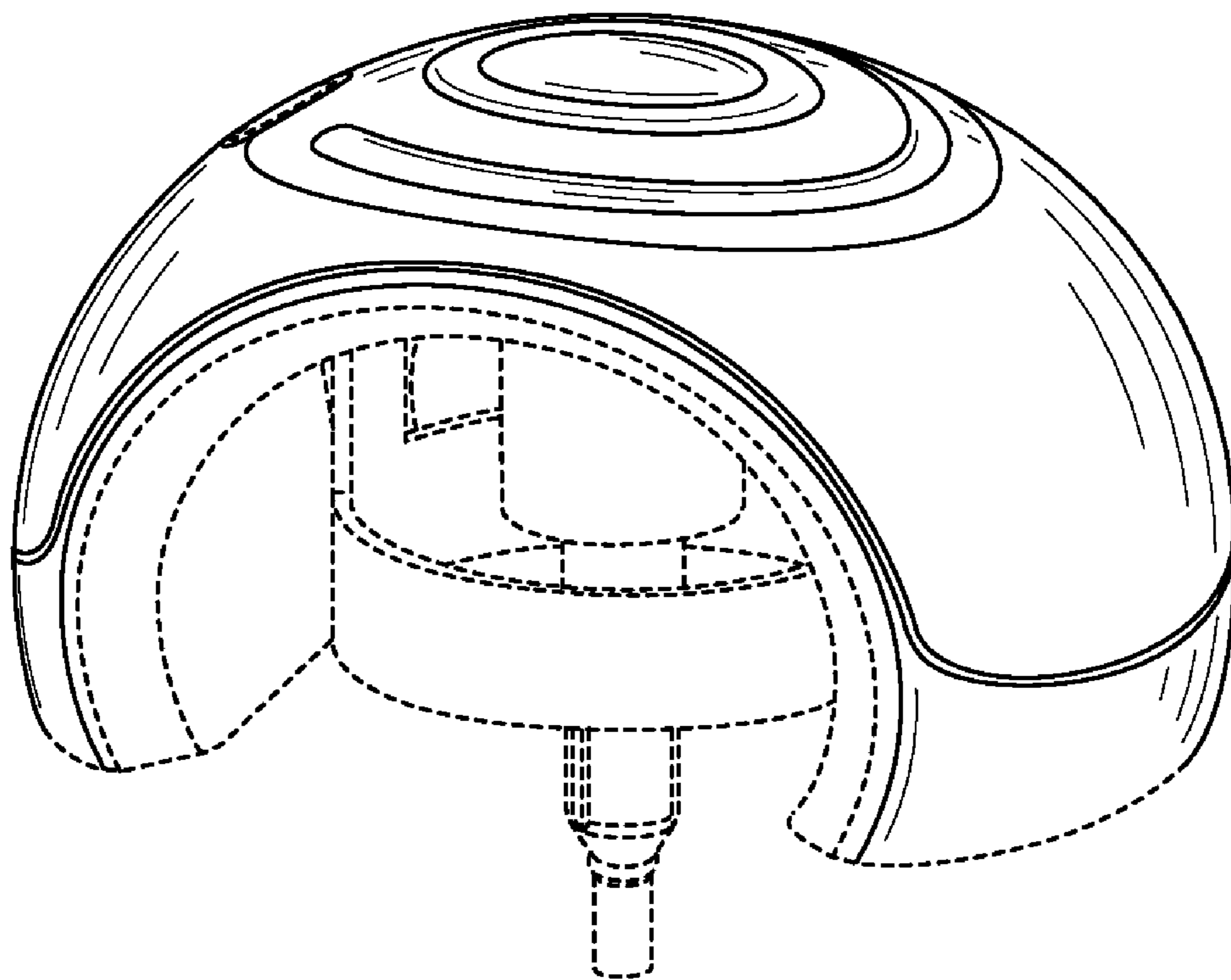


FIG. 2

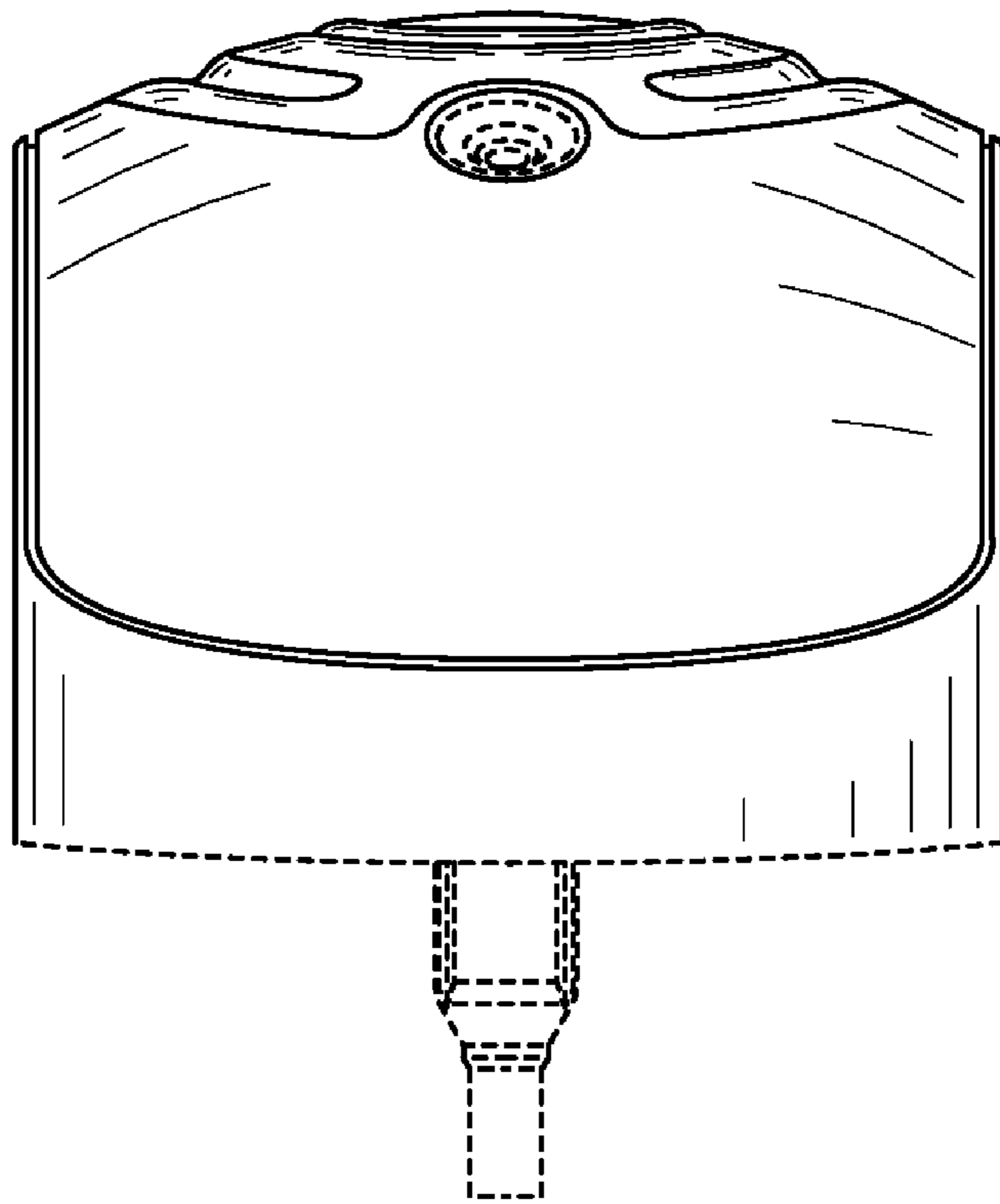


FIG. 3

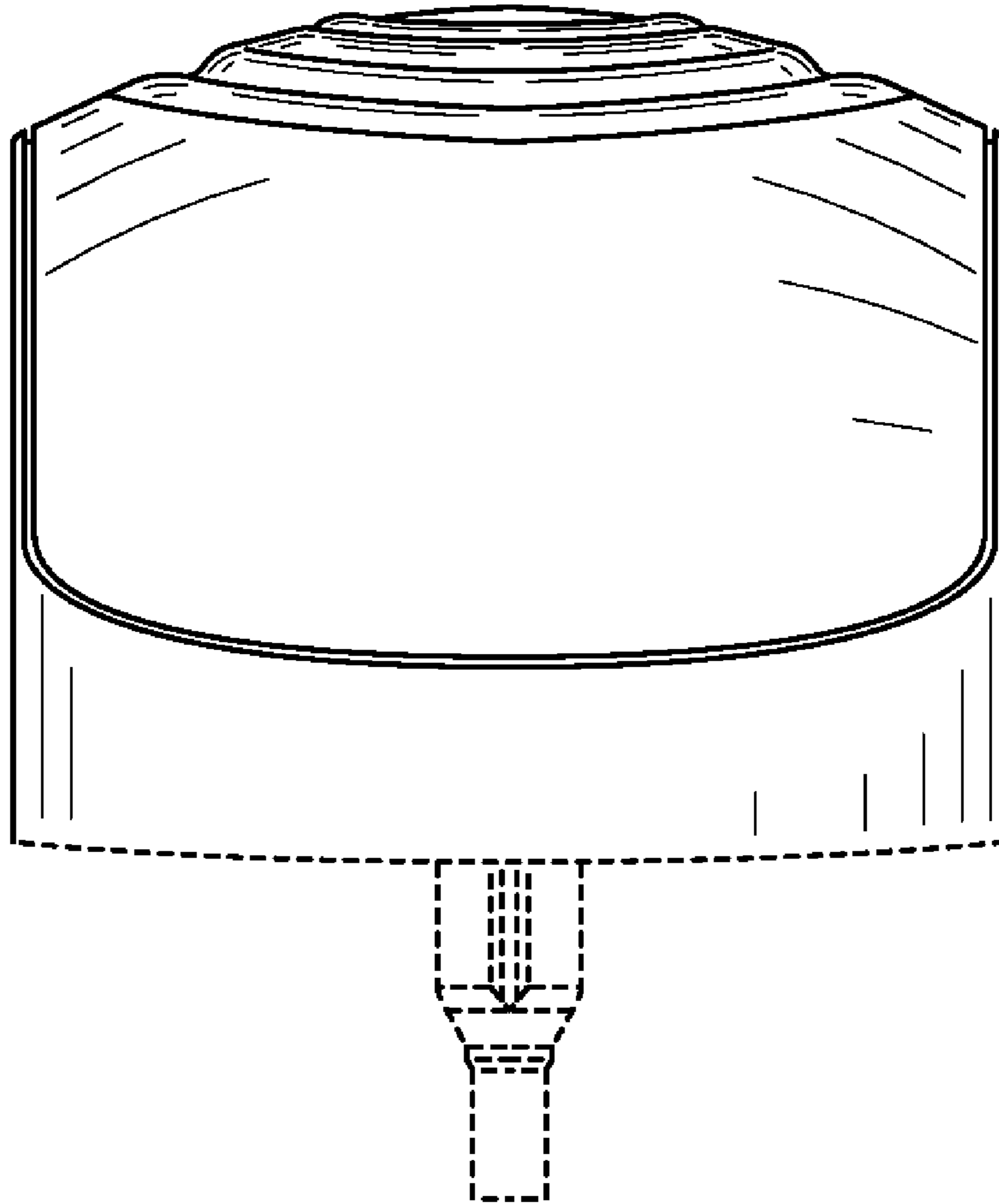


FIG. 4

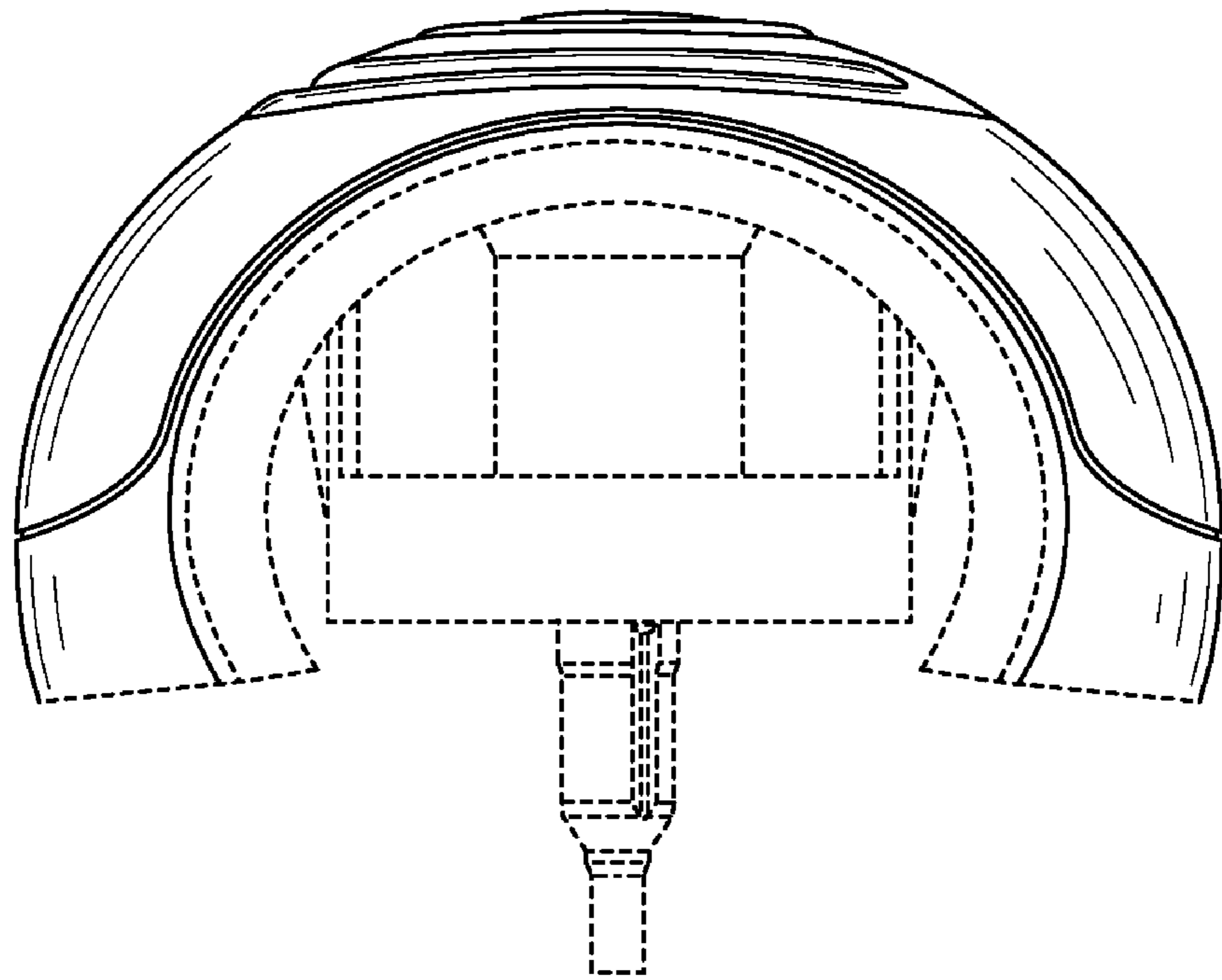


FIG. 5

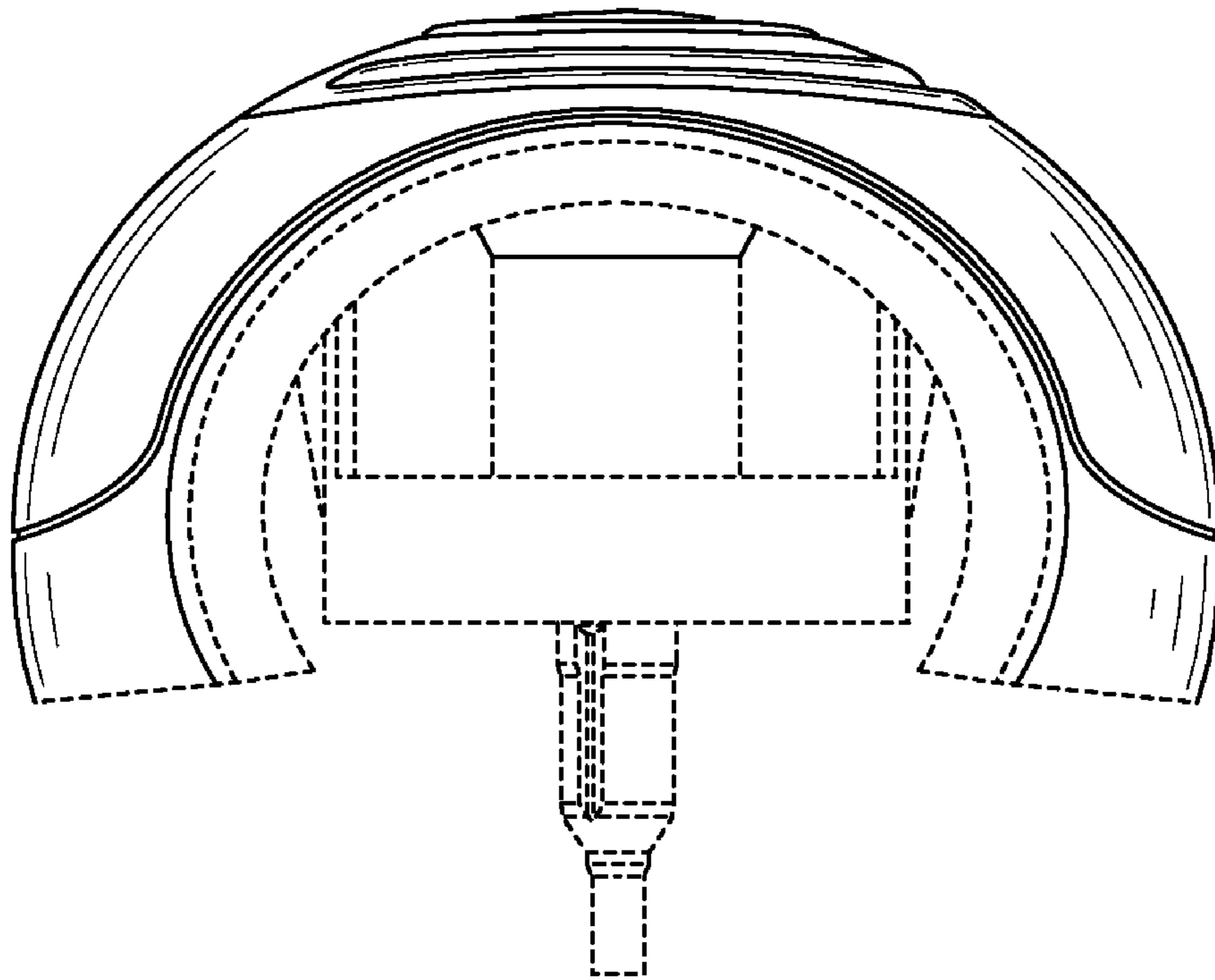


FIG. 6

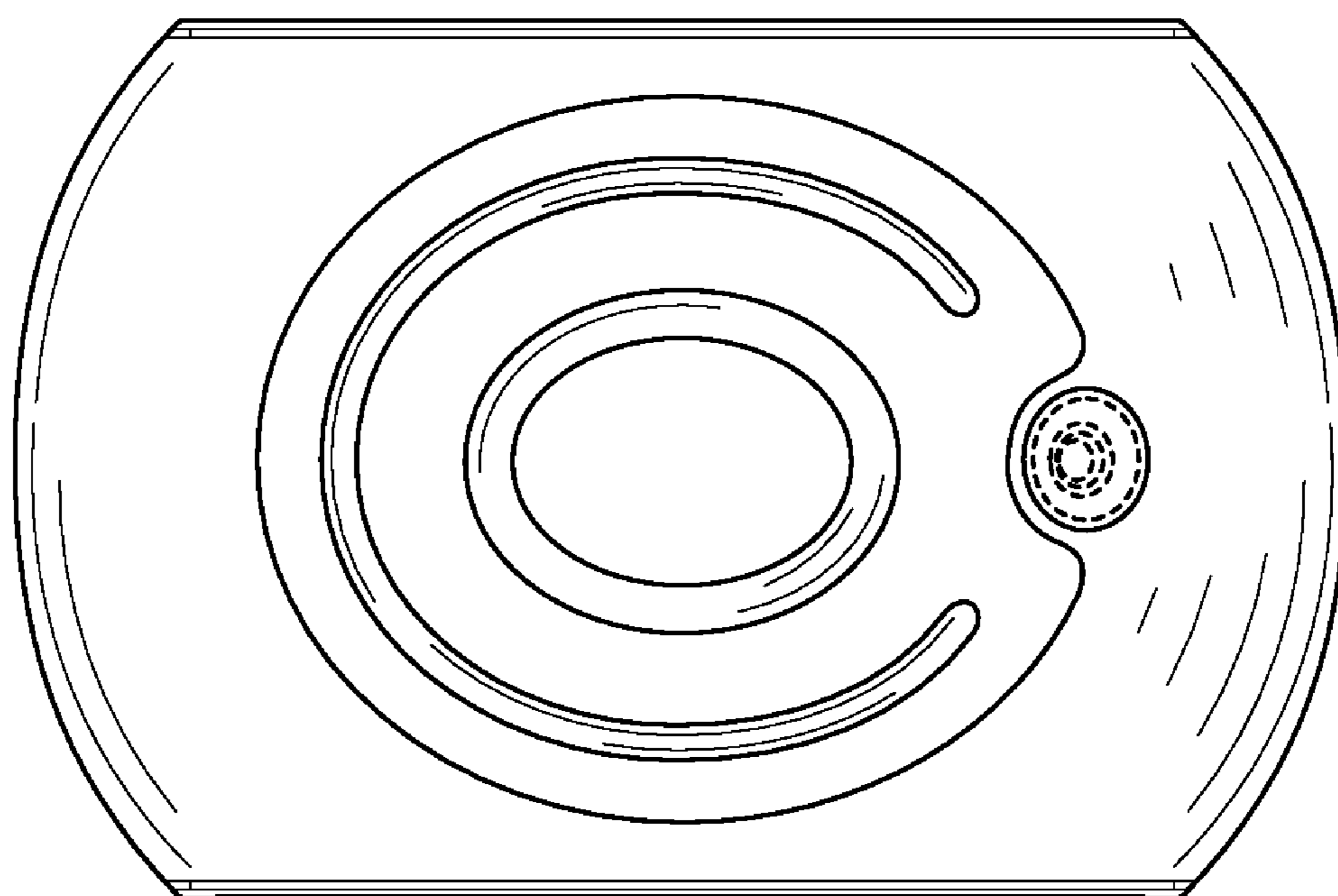


FIG. 7

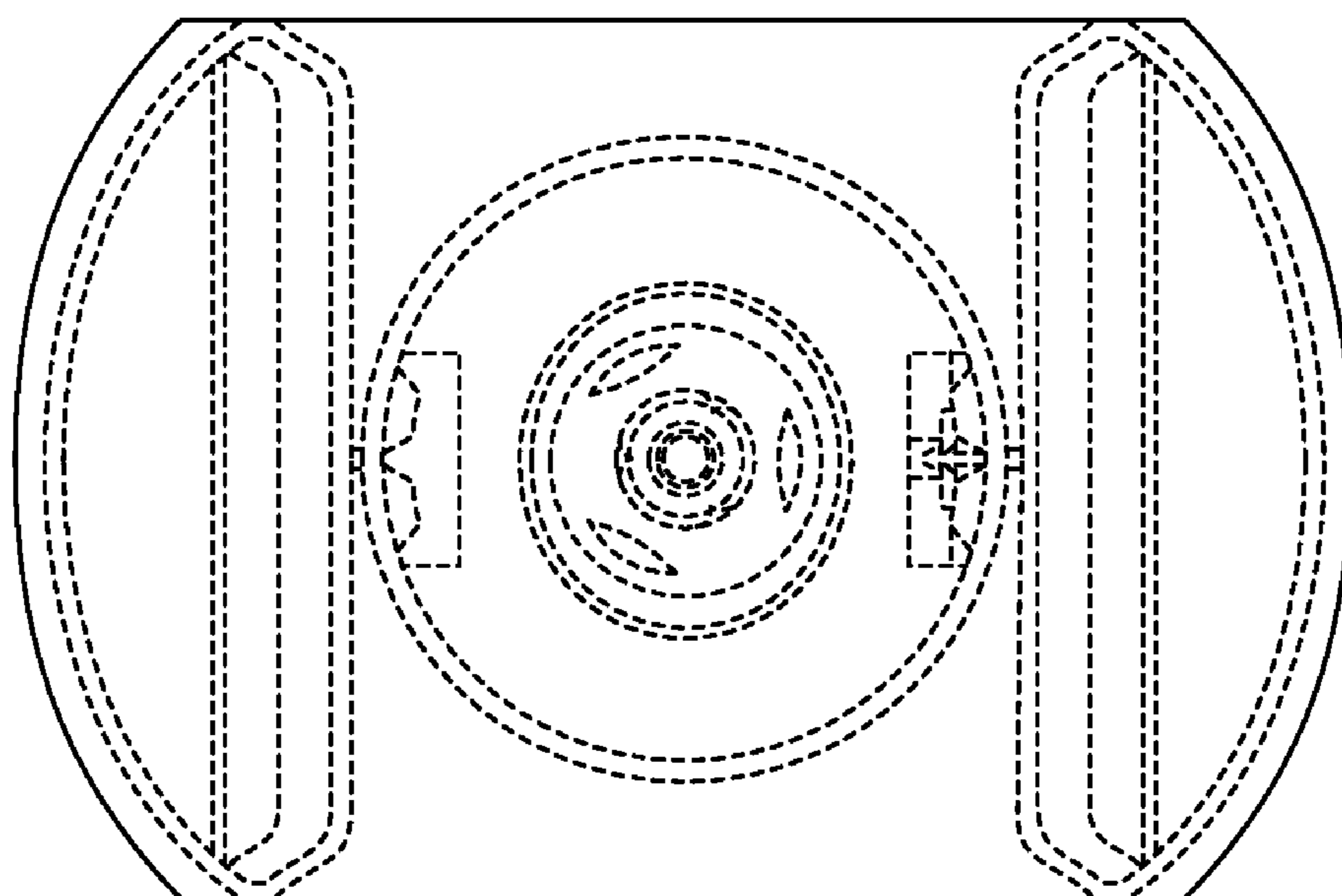


FIG. 8