

US00D587361S

(12) **United States Design Patent**  
**Sakairi**

(10) **Patent No.:** **US D587,361 S**

(45) **Date of Patent:** **\*\* Feb. 24, 2009**

(54) **AIR FILTER**

(75) Inventor: **Shigemitsu Sakairi**, Tsukubamirai (JP)

(73) Assignee: **SMC Corporation**, Chiyoda-ku, Tokyo (JP)

(\*\*) Term: **14 Years**

(21) Appl. No.: **29/310,143**

(22) Filed: **Jul. 28, 2008**

(30) **Foreign Application Priority Data**

Feb. 19, 2008 (JP) ..... 2008-003619

(51) **LOC (9) Cl.** ..... **23-04**

(52) **U.S. Cl.** ..... **D23/365**

(58) **Field of Classification Search** ..... D23/365,  
D23/363, 358, 386, 354, 341, 364, 209; 55/385.3,  
55/502, 497, 498, 506, 505, 521, 495, 422,  
55/493, DIG. 30; 210/497.01, DIG. 17; D12/194;  
D15/5, 9; 138/37-39, 114; 181/227, 223;  
D9/549, 558, 559, 560; D22/108; D19/41  
See application file for complete search history.

(56) **References Cited**

**U.S. PATENT DOCUMENTS**

1,487,312 A \* 3/1924 Bull ..... 181/223  
1,953,120 A \* 4/1934 Miller ..... D12/194  
D205,001 S \* 6/1966 Englesberg ..... D23/209  
D263,496 S \* 3/1982 Kimball et al. .... D23/365  
D285,331 S \* 8/1986 Cellini ..... D22/108  
D308,334 S \* 6/1990 Gormley et al. .... D9/549

H1157 H \* 4/1993 Yanou et al. .... D23/209  
D426,161 S \* 6/2000 Hestehave et al. .... D9/560  
D432,622 S \* 10/2000 Thompson et al. .... D23/209  
D455,782 S \* 4/2002 Singh et al. .... D19/41  
D465,181 S \* 11/2002 Wang ..... D12/194  
D491,066 S \* 6/2004 Le Goff ..... D9/549  
D540,349 S \* 4/2007 Waki ..... D15/9

\* cited by examiner

*Primary Examiner*—Louis S Zarfes

*Assistant Examiner*—David G Muller

(74) *Attorney, Agent, or Firm*—Yokoi & Co., U.S.A., Inc.;  
Peter Ganjian

(57) **CLAIM**

The ornamental design for an air filter, as shown and described.

**DESCRIPTION**

FIG. 1 shows a front view of an air filter showing my new design;

FIG. 2 shows a rear view thereof;

FIG. 3 shows a top view thereof;

FIG. 4 shows a bottom view thereof;

FIG. 5 shows a left side view thereof;

FIG. 6 shows a right side view thereof;

FIG. 7 shows a top, front and right side perspective view thereof; and,

FIG. 8 shows a top, rear and left side perspective view thereof.

**1 Claim, 4 Drawing Sheets**

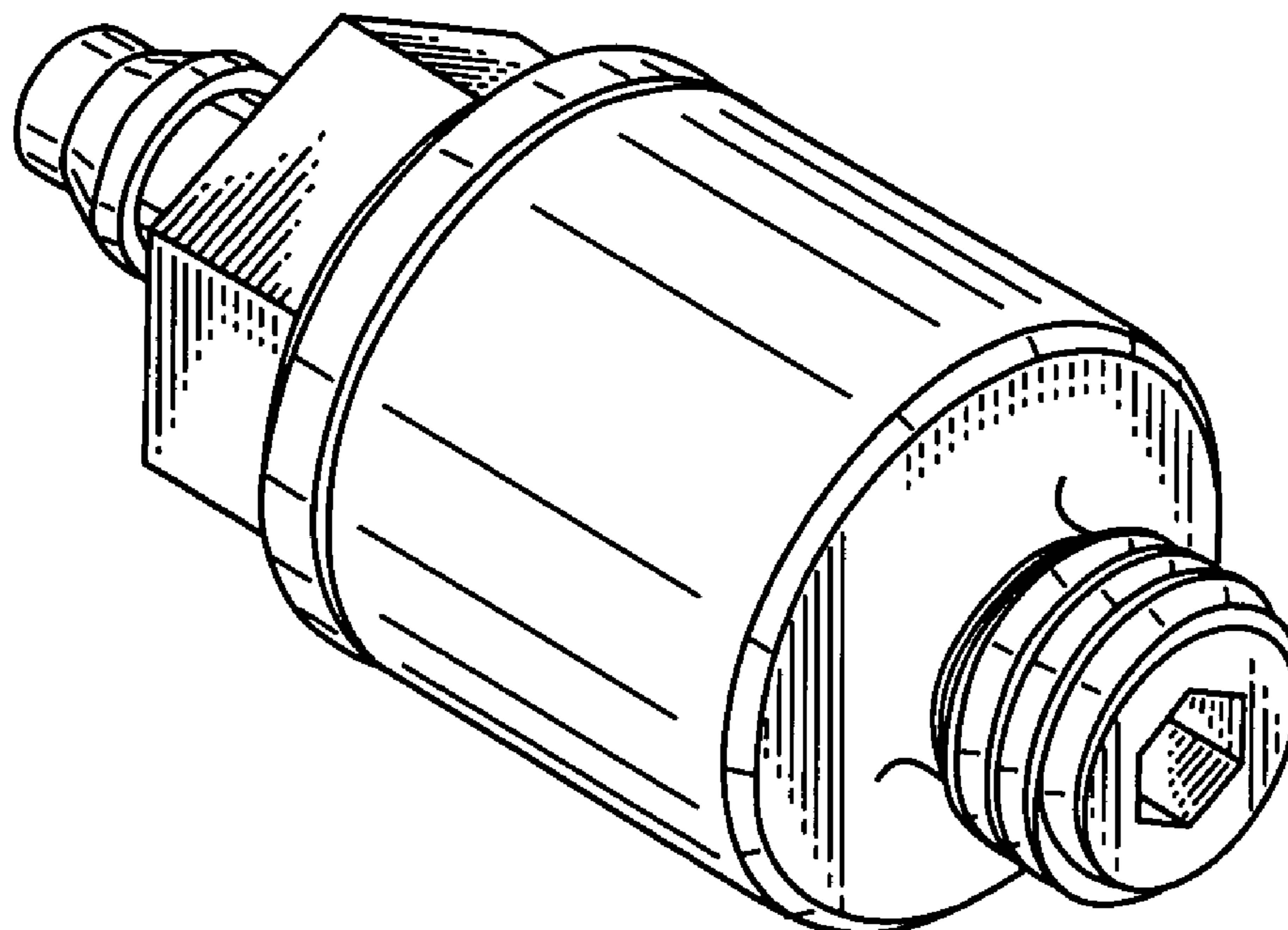


FIG. 1

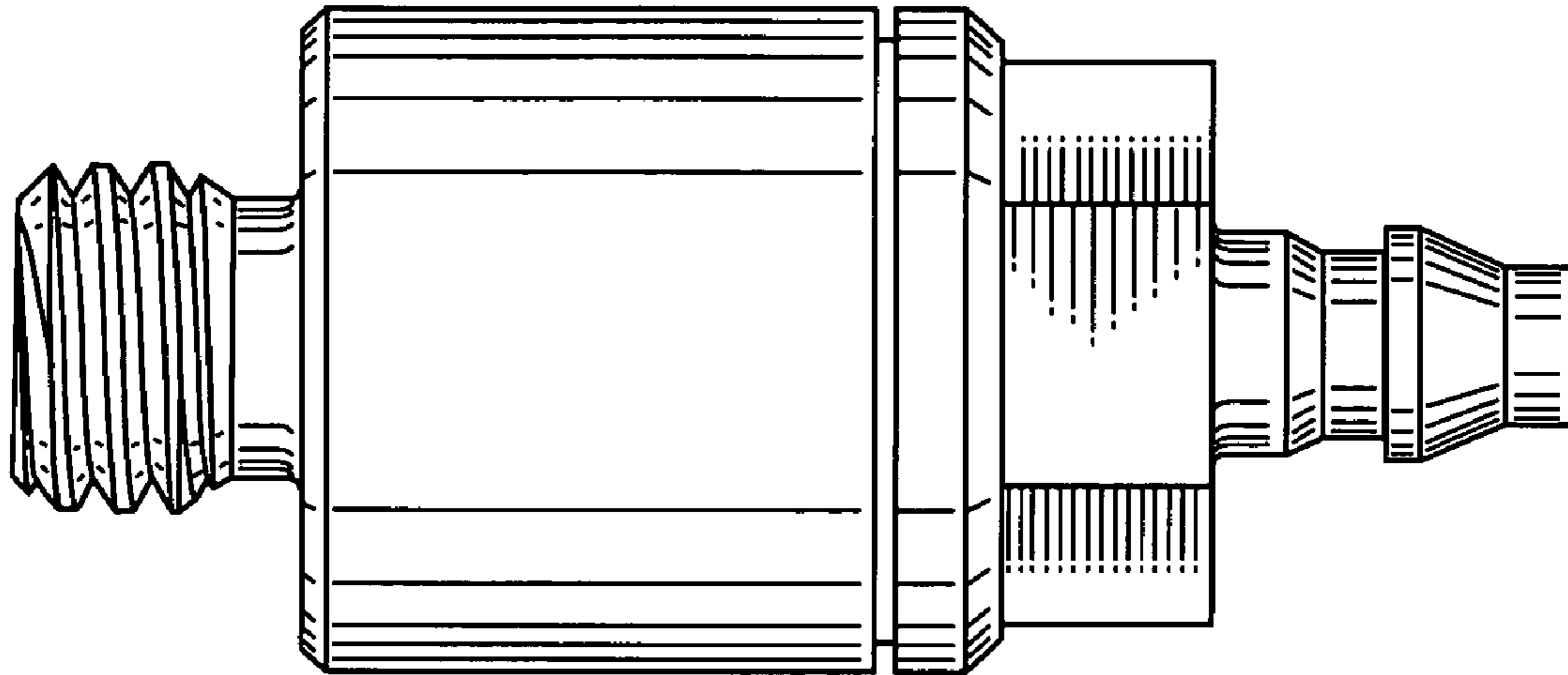


FIG. 2

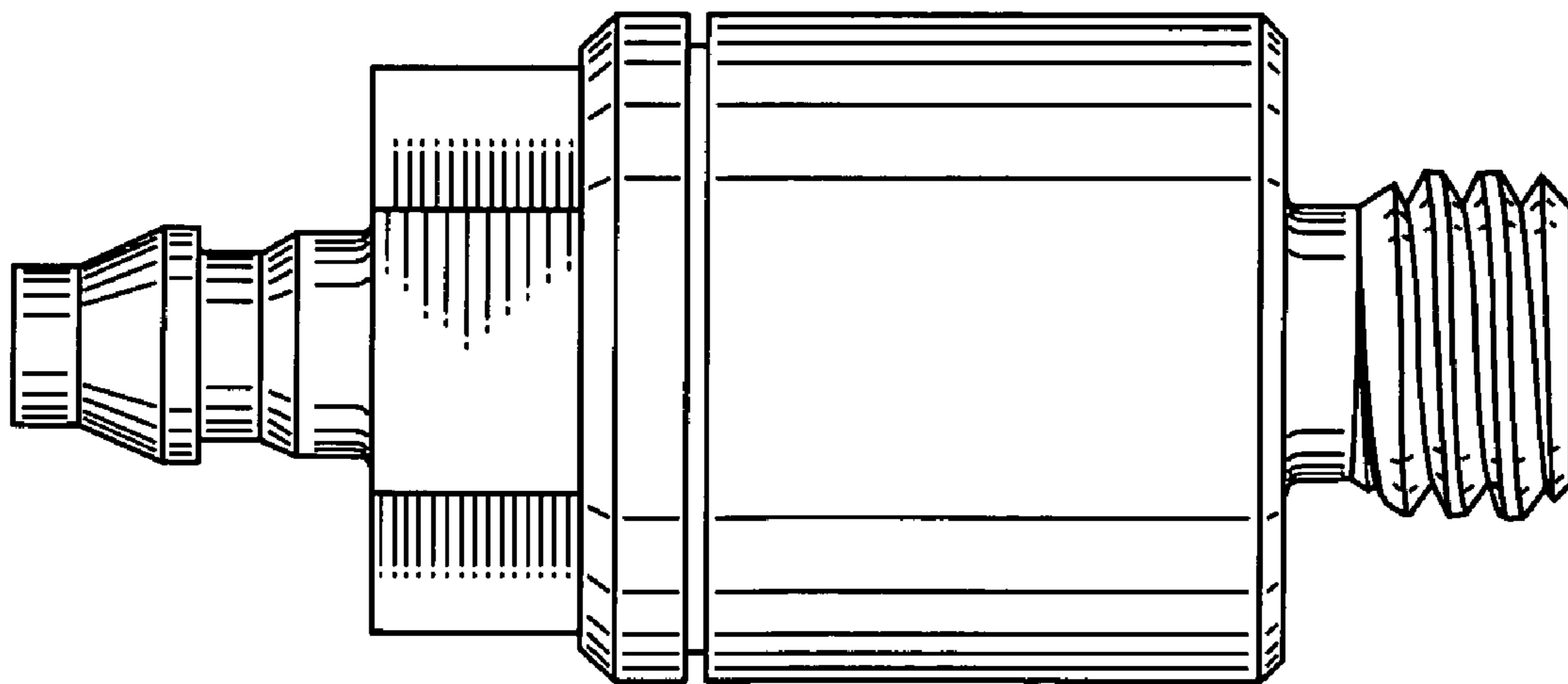


FIG. 3

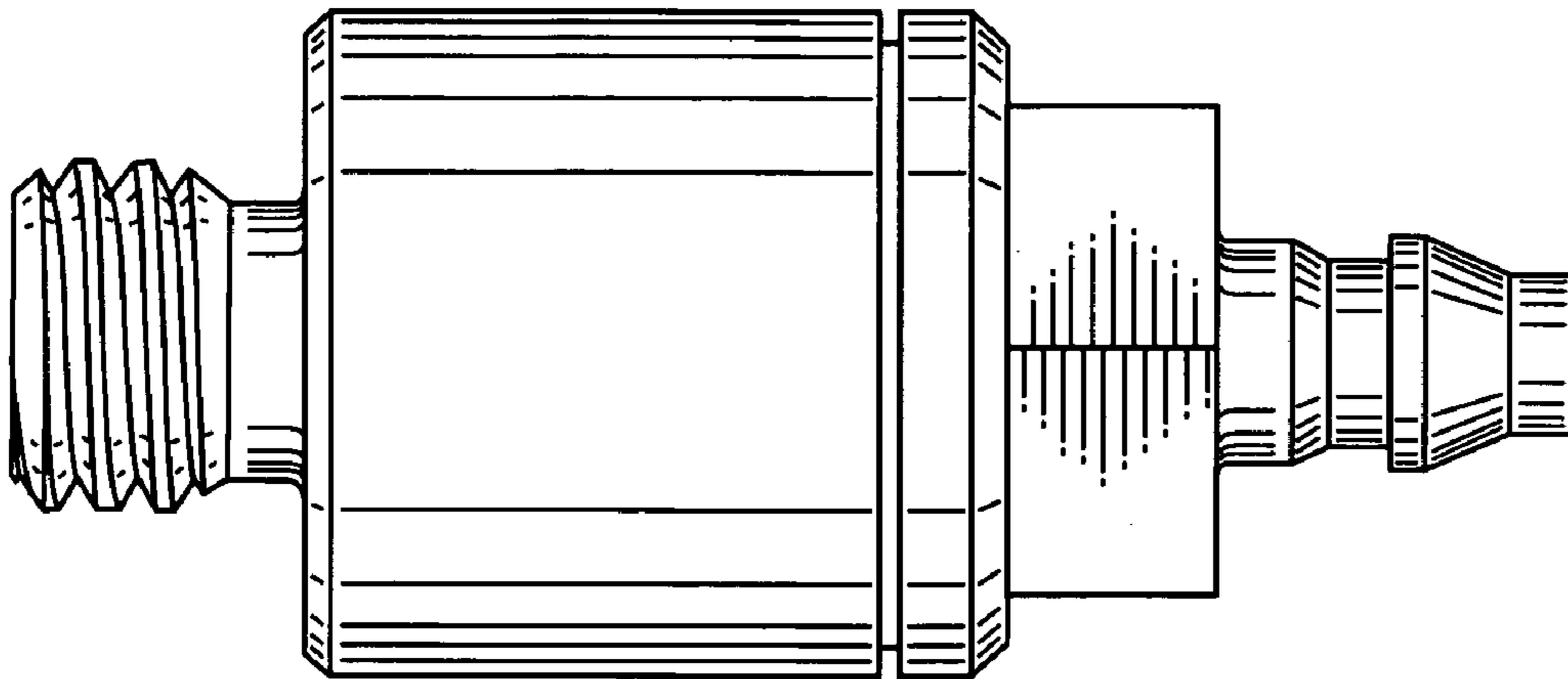


FIG. 4

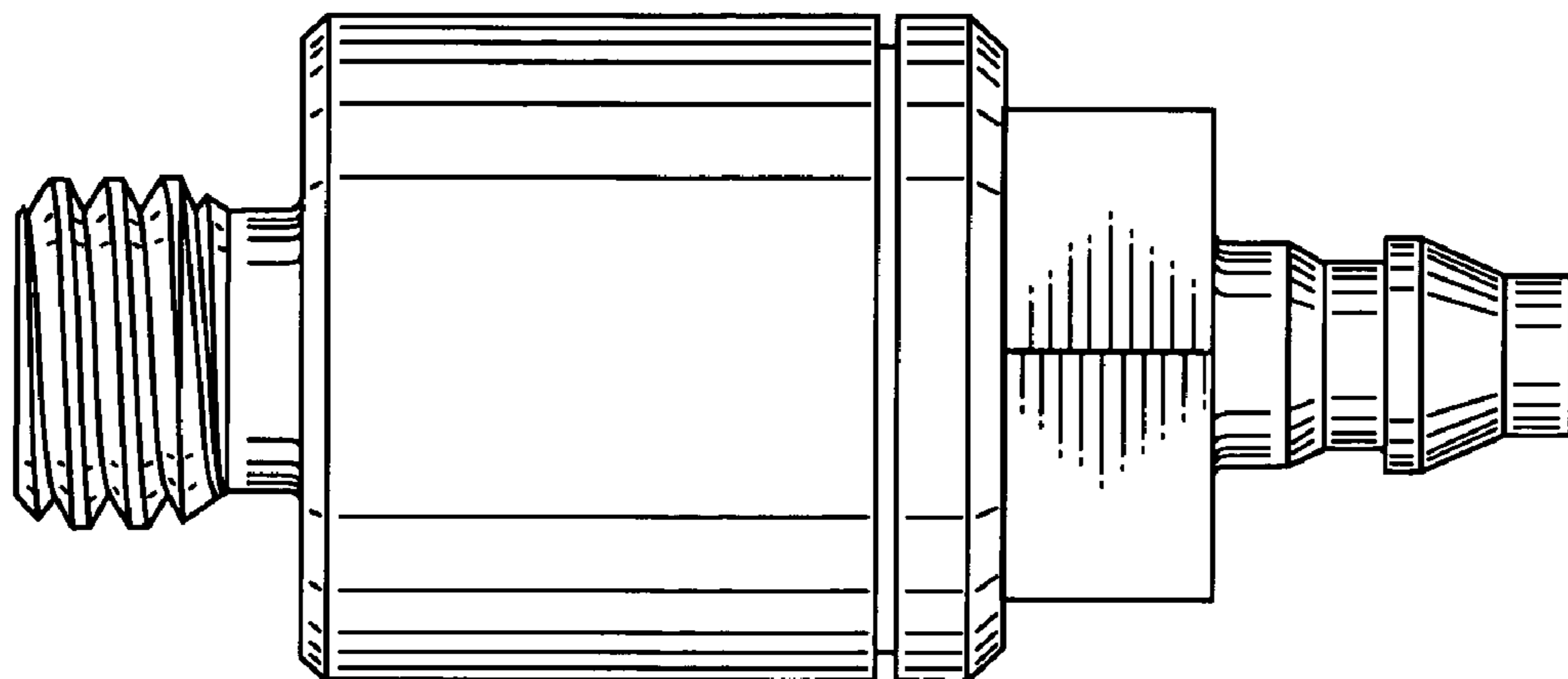


FIG. 5

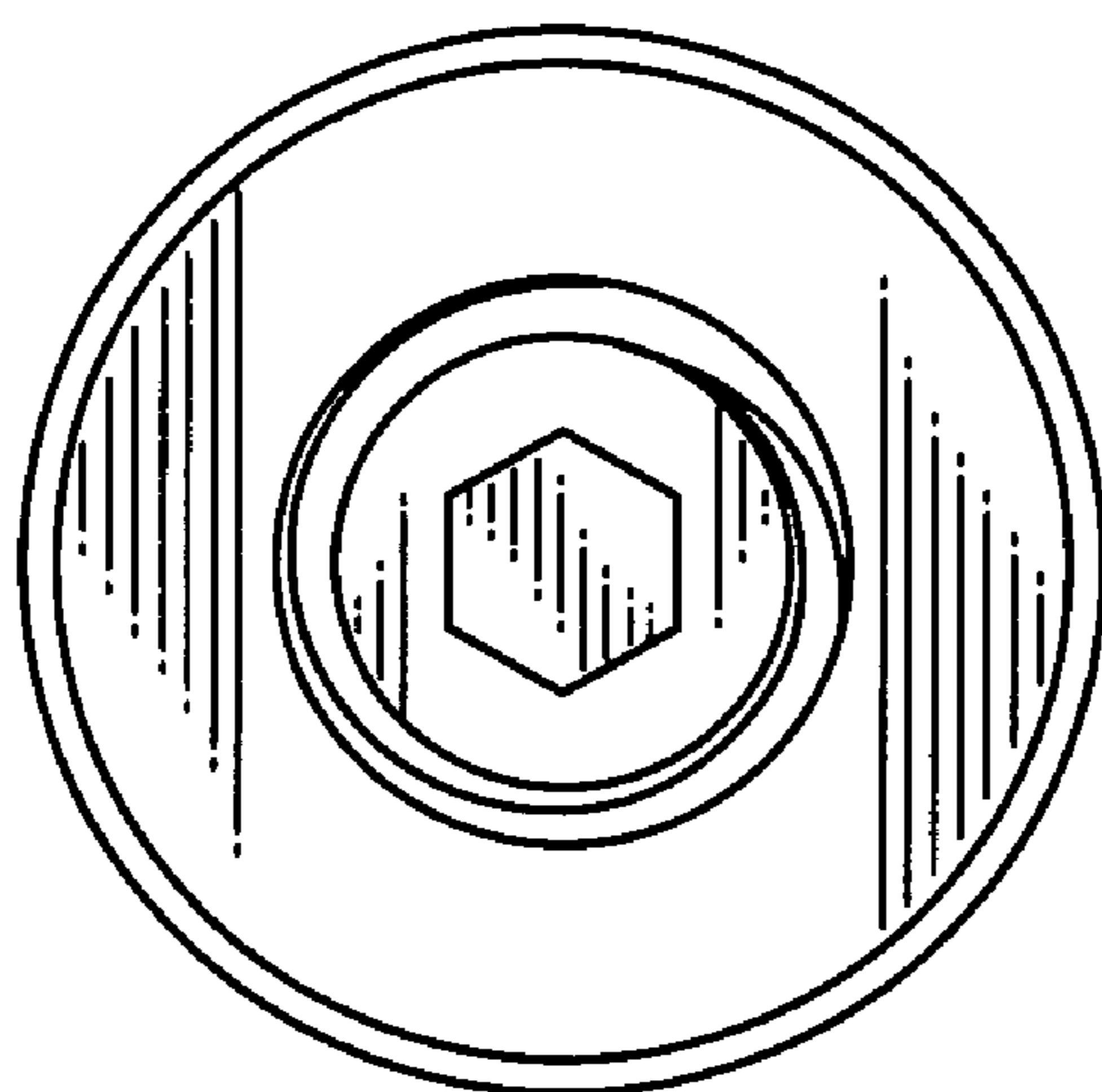


FIG. 6

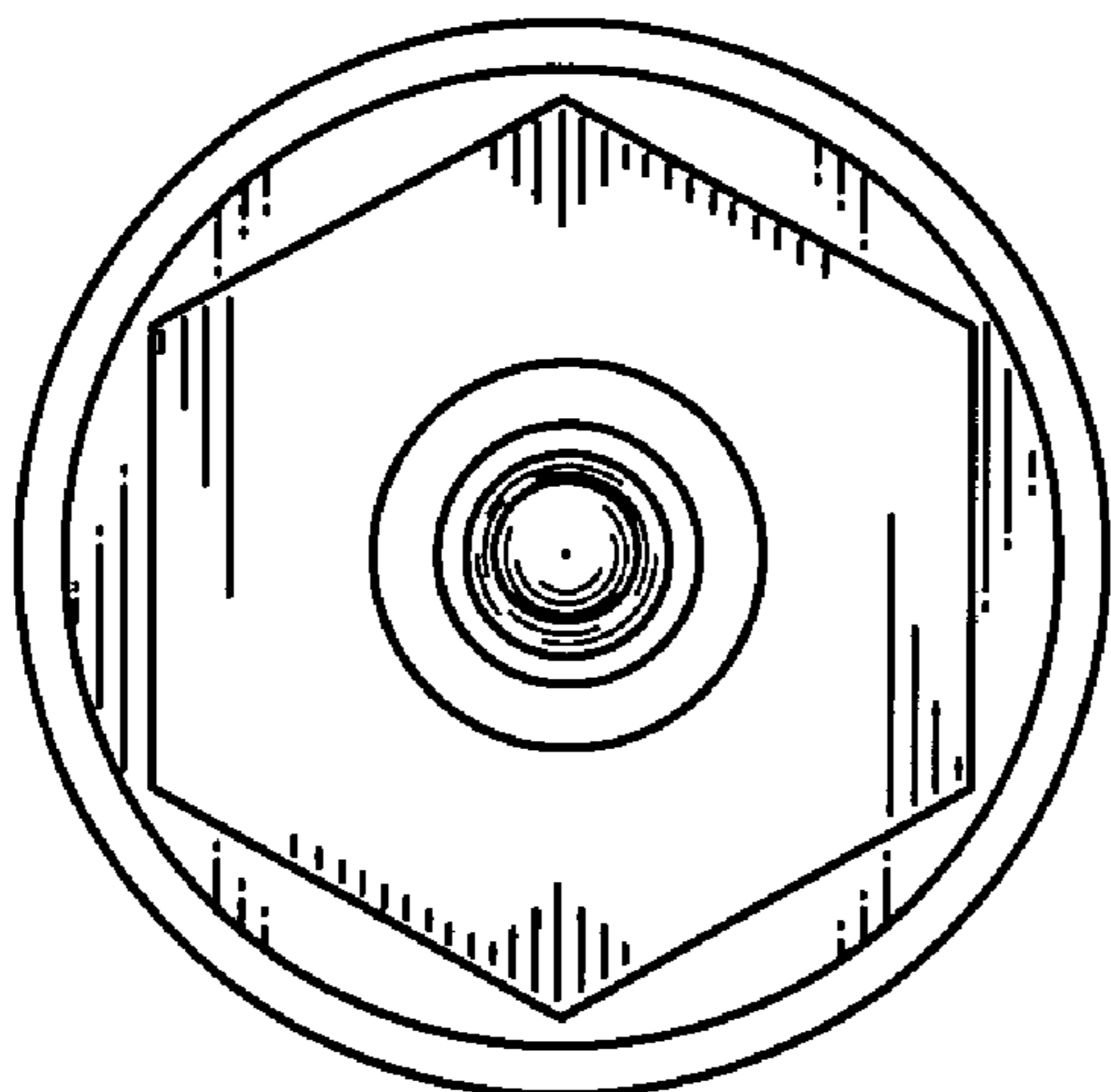


FIG. 7

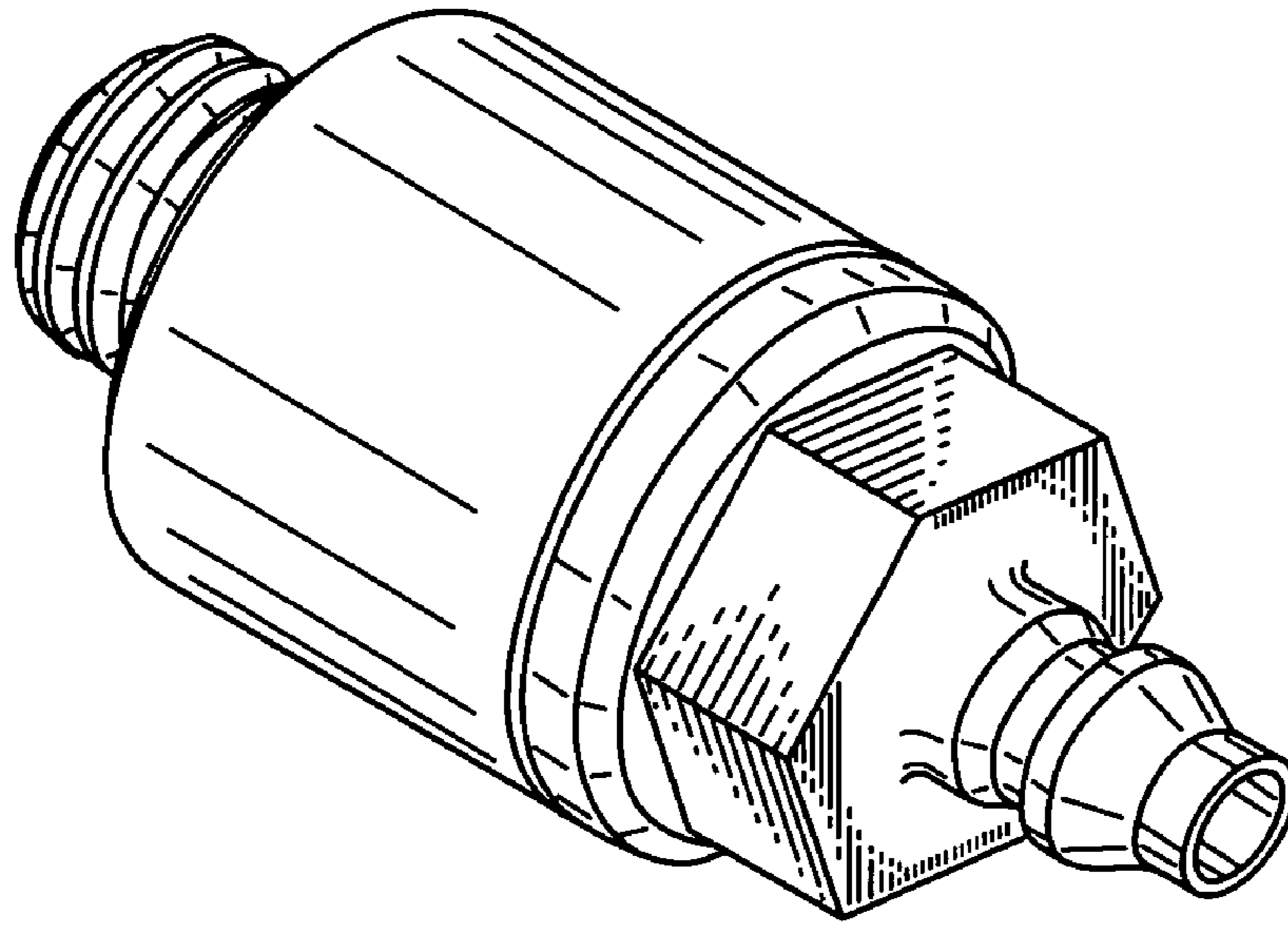


FIG. 8

