



US00D587360S

(12) **United States Design Patent**
Sakairi

(10) **Patent No.:** **US D587,360 S**

(45) **Date of Patent:** **** Feb. 24, 2009**

(54) **AIR FILTER**

(75) Inventor: **Shigemitsu Sakairi**, Tsukubamirai (JP)

(73) Assignee: **SMC Corporation**, Chiyoda-ku, Tokyo (JP)

(**) Term: **14 Years**

(21) Appl. No.: **29/310,134**

(22) Filed: **Jul. 28, 2008**

(30) **Foreign Application Priority Data**

Feb. 19, 2008 (JP) 2008-003618

(51) **LOC (9) Cl.** **23-04**

(52) **U.S. Cl.** **D23/365**

(58) **Field of Classification Search** D23/365,
D23/363, 358, 386, 354, 341, 364, 209; 55/385.3,
55/502, 497, 498, 506, 505, 521, 495, 422,
55/493, DIG. 30; 210/497.01, DIG. 17; D12/194;
D15/5, 9; 138/37-39, 114; 181/227, 223;
D9/549, 558, 559, 560; D22/108; D19/41
See application file for complete search history.

(56) **References Cited**

U.S. PATENT DOCUMENTS

1,487,312 A * 3/1924 Bull 181/223
1,953,120 A * 4/1934 Miller D12/194
D205,001 S * 6/1966 Englesberg D23/209
D263,496 S * 3/1982 Kimball et al. D23/365
D285,331 S * 8/1986 Cellini D22/108
D308,334 S * 6/1990 Gormley et al. D9/549

H1157 H * 4/1993 Yanou et al. D23/209
D426,161 S * 6/2000 Hestehave et al. D9/560
D432,622 S * 10/2000 Thompson et al. D23/209
D455,782 S * 4/2002 Singh et al. D19/41
D465,181 S * 11/2002 Wang D12/194
D491,066 S * 6/2004 Le Goff D9/549
D540,349 S * 4/2007 Waki D15/9

* cited by examiner

Primary Examiner—Louis S Zarfaz

Assistant Examiner—David G Muller

(74) *Attorney, Agent, or Firm*—Yokoi & Co., U.S.A., Inc.;
Peter Ganjian

(57) **CLAIM**

The ornamental design for an air filter, as shown and described.

DESCRIPTION

FIG. 1 shows a front view of an air filter showing my new design;

FIG. 2 shows a rear view thereof;

FIG. 3 shows a top view thereof;

FIG. 4 shows a bottom view thereof;

FIG. 5 shows a left side view thereof;

FIG. 6 shows a right side view thereof;

FIG. 7 shows a top, front and right side perspective view thereof; and,

FIG. 8 shows a top, rear and left side perspective view thereof.

1 Claim, 4 Drawing Sheets

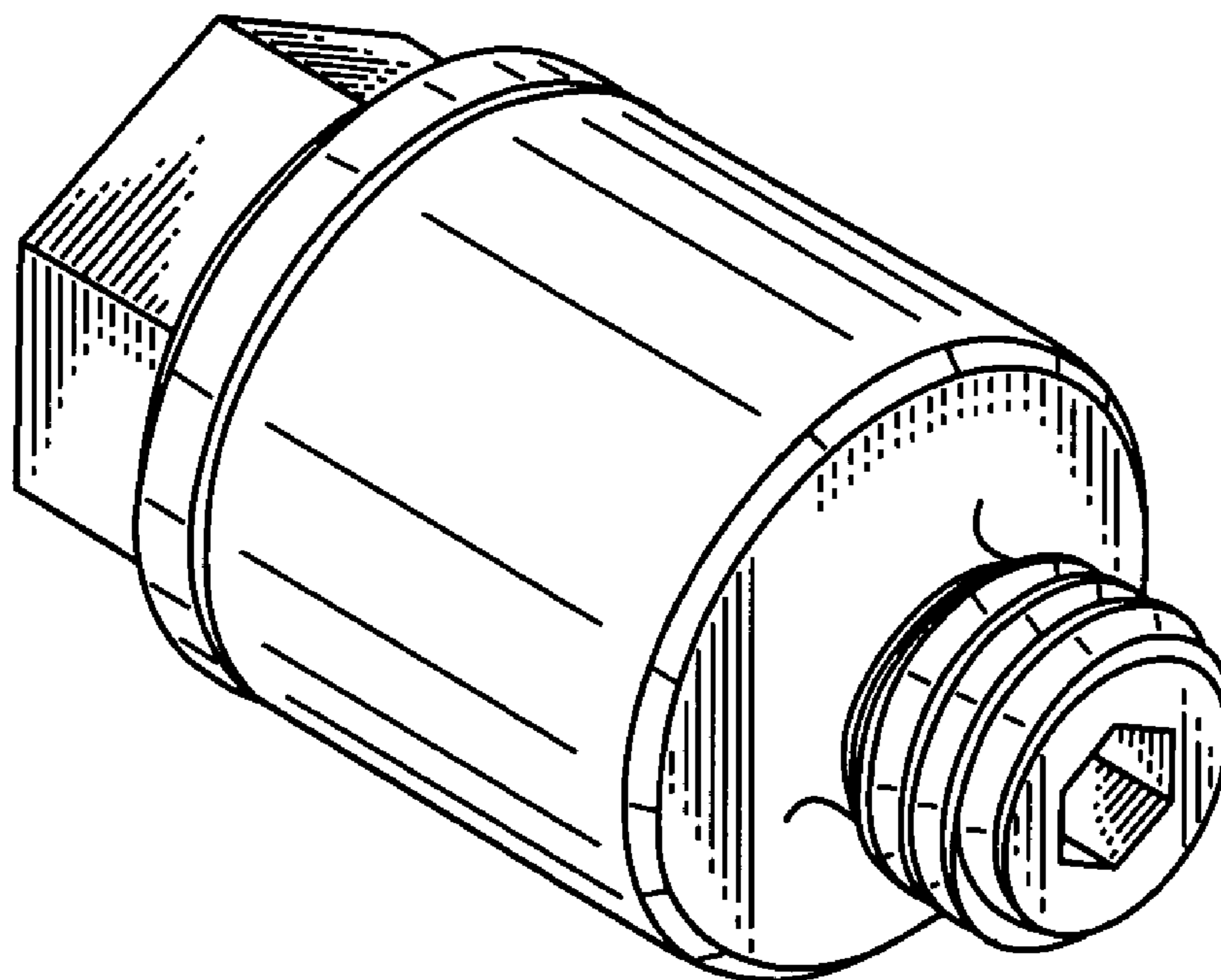


FIG. 1

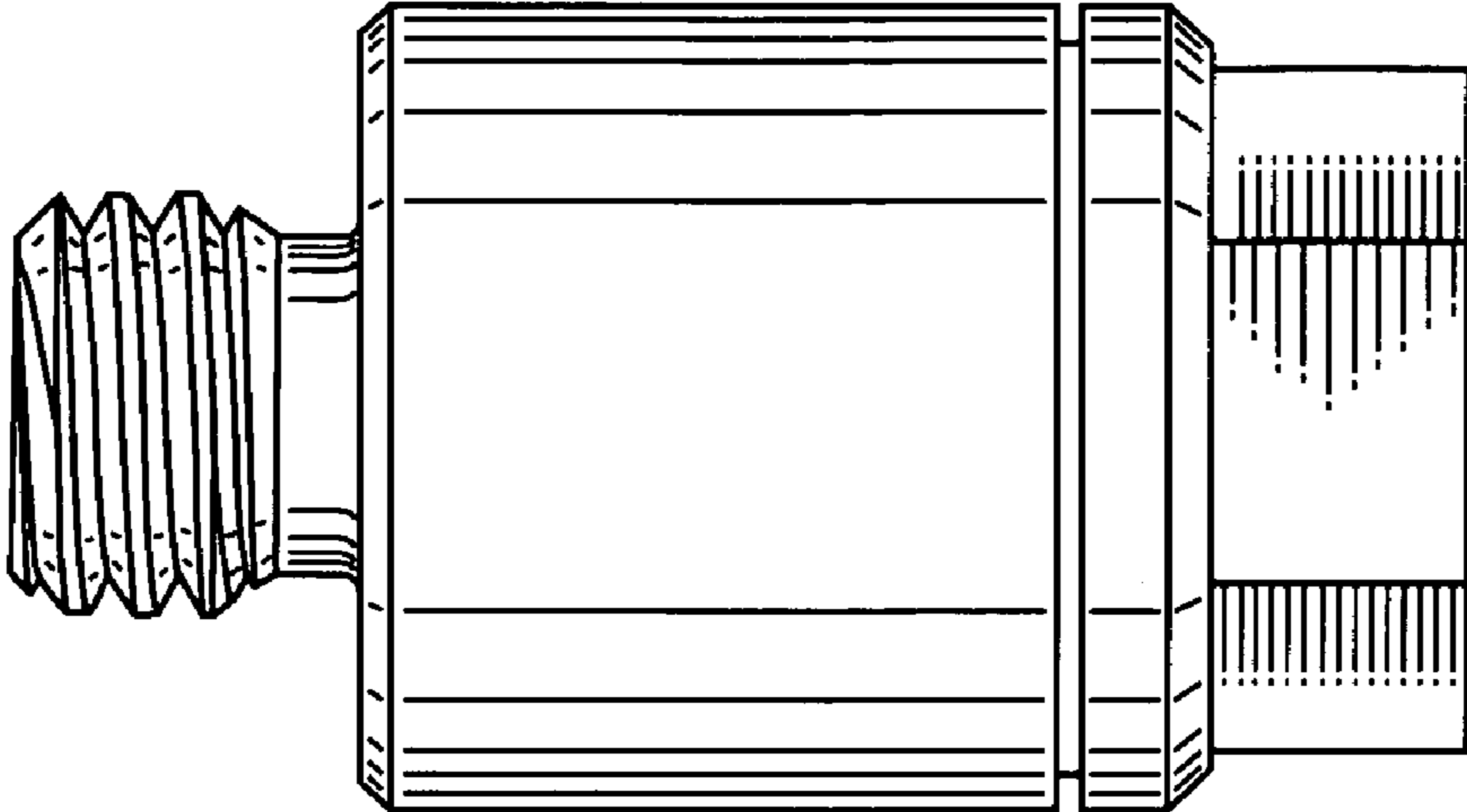


FIG. 2

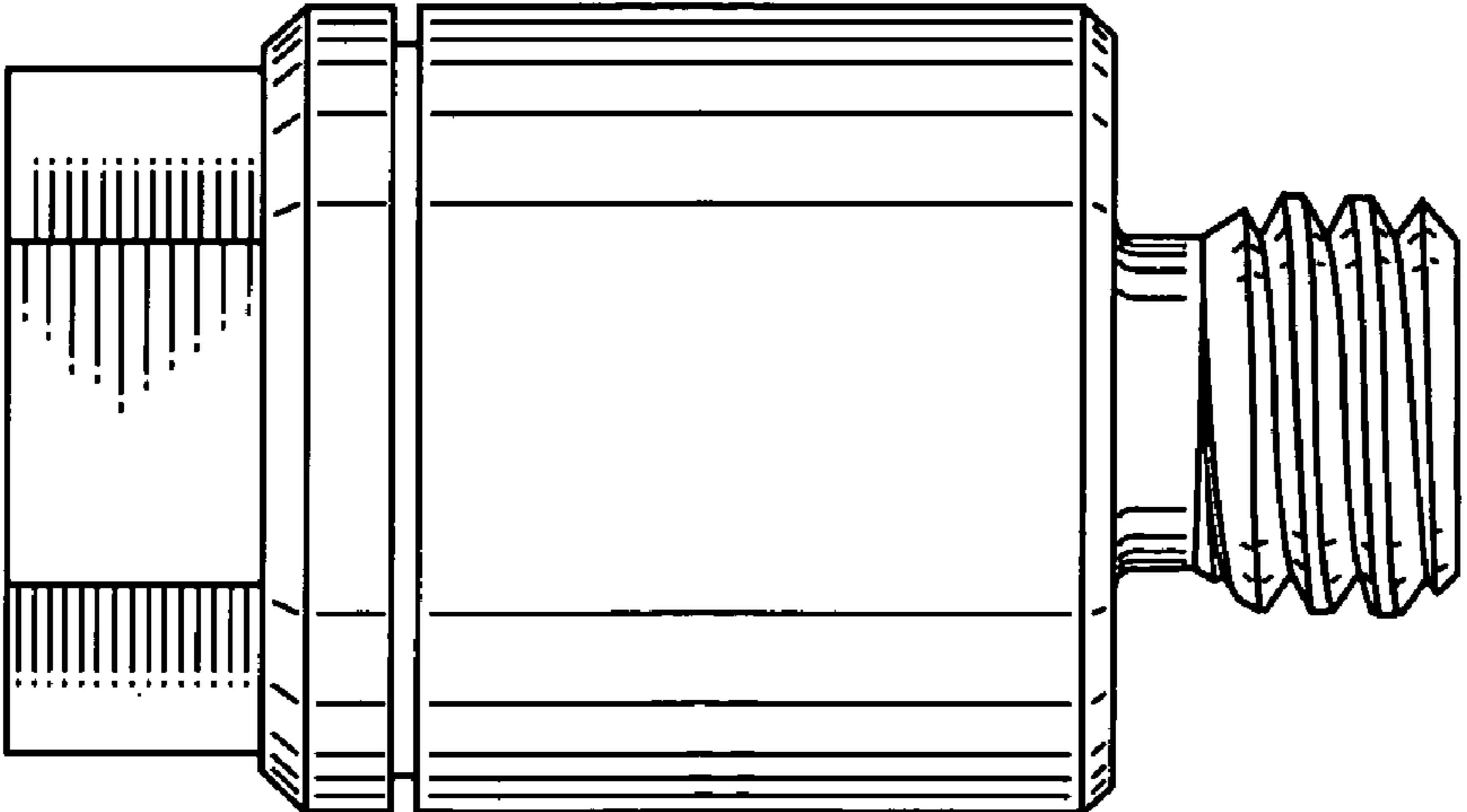


FIG. 3

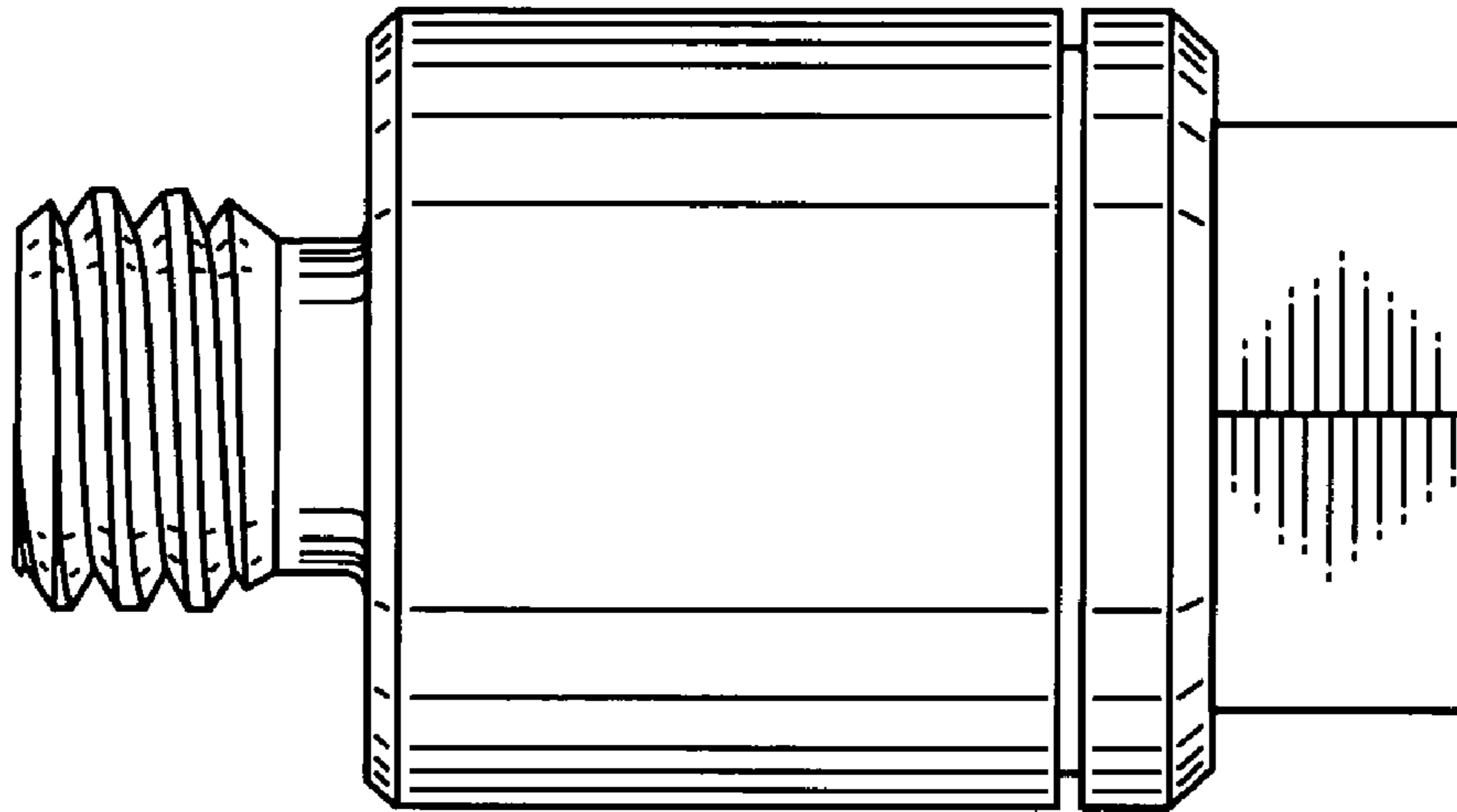


FIG. 4

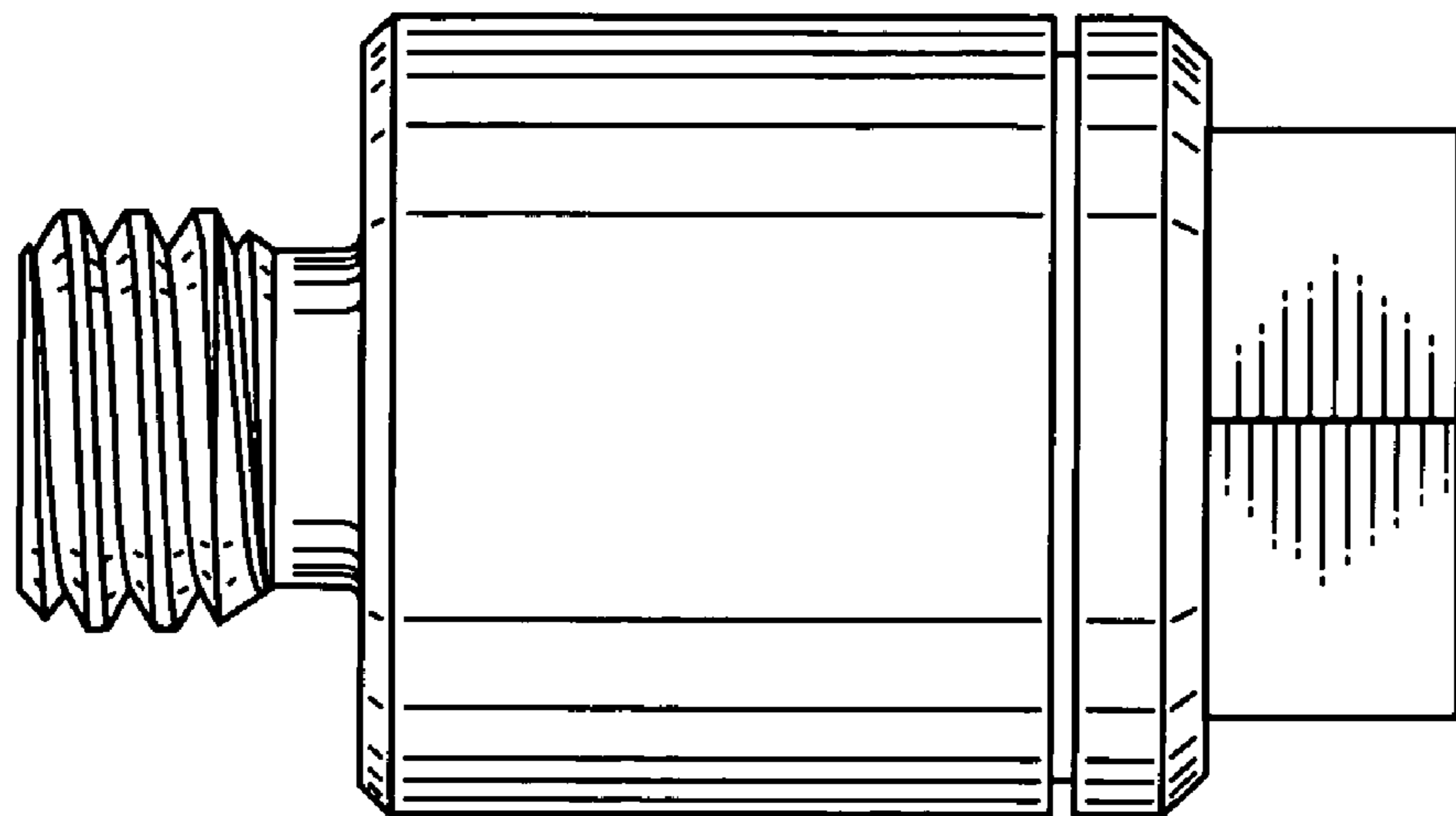


FIG. 5

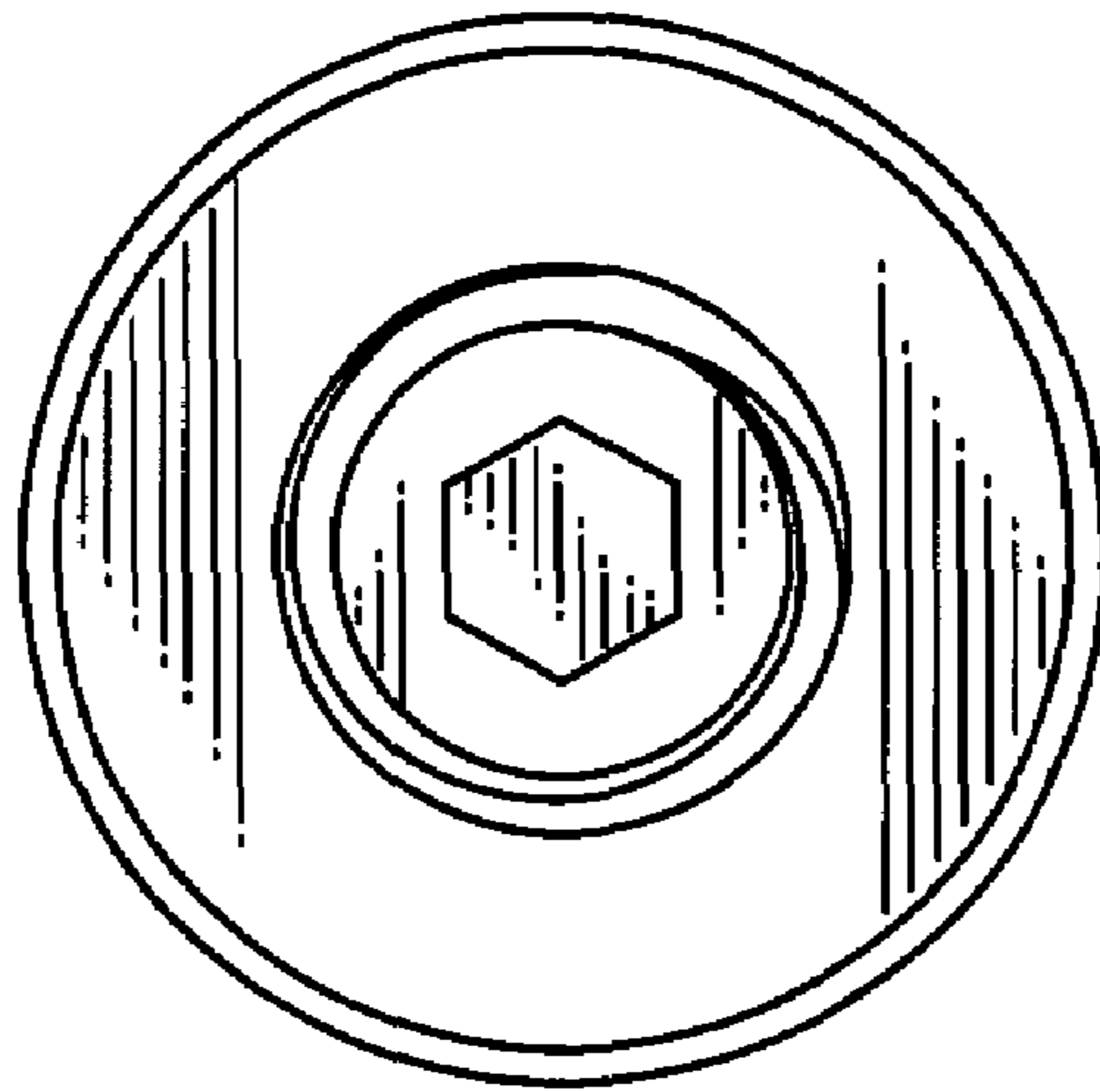


FIG. 6

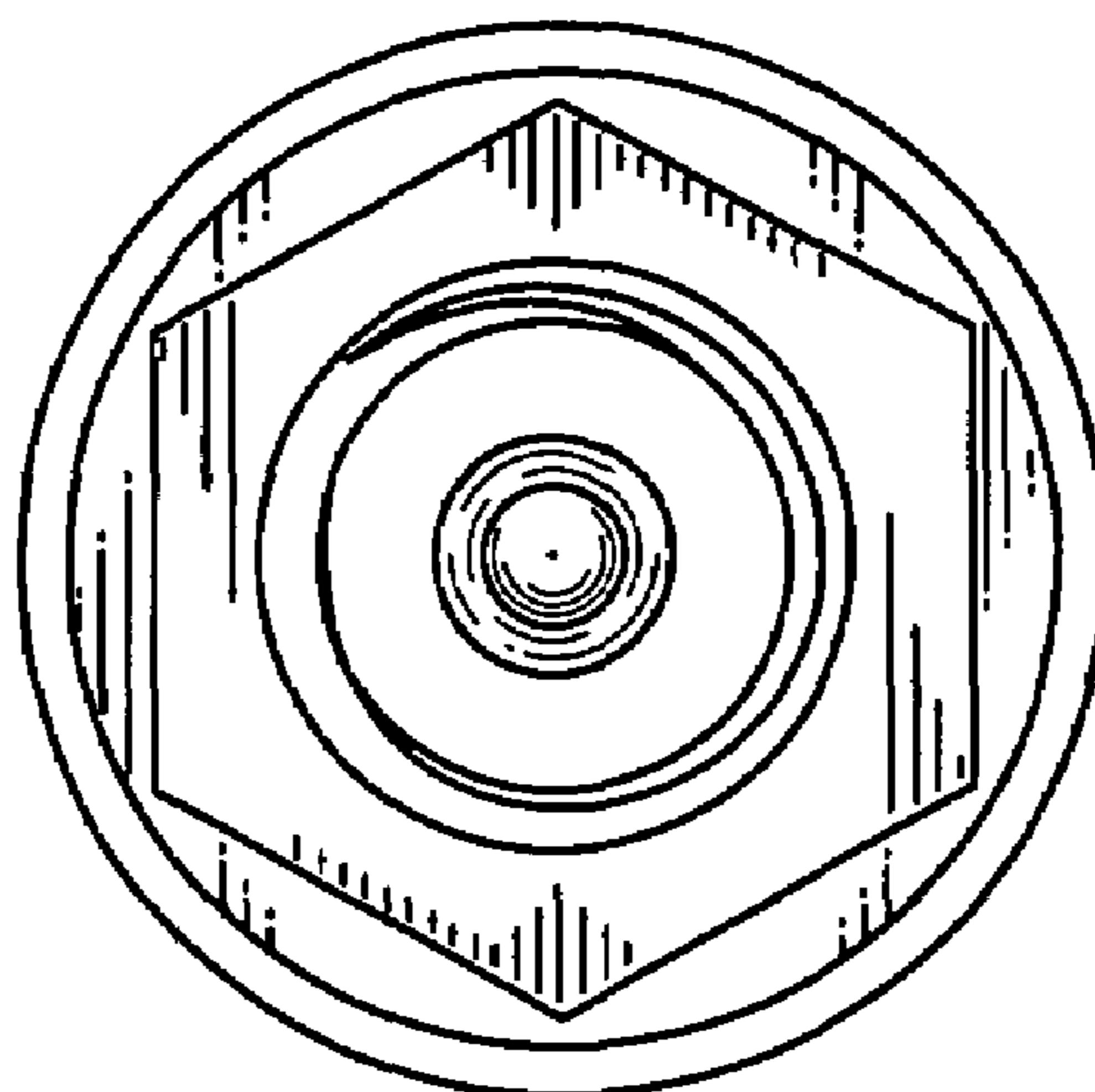


FIG. 7

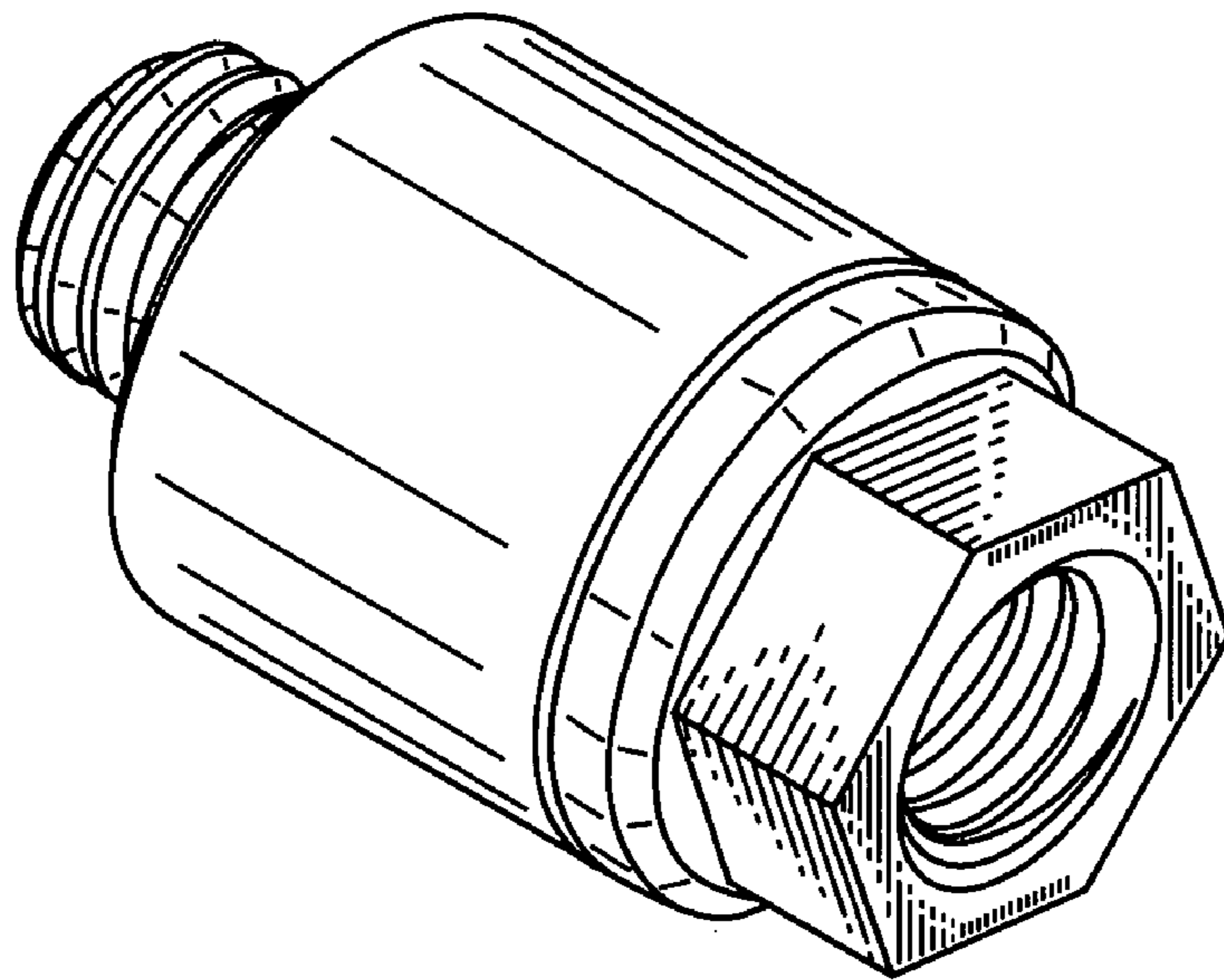


FIG. 8

