



US00D587357S

(12) **United States Design Patent**  
**Hoernig et al.**

(10) **Patent No.:** **US D587,357 S**

(45) **Date of Patent:** **\*\* Feb. 24, 2009**

(54) **SHOWERHEAD HOLDER**

D391,341 S \* 2/1998 Sutherland ..... D23/304

(75) Inventors: **Victor Hoernig**, Lowell, IN (US);  
**Geraint Krumpe**, Chicago, IL (US);  
**Julian Clive Giggs**, Hillsdale, MI (US);  
**Michael Miller**, Portage, MI (US);  
**James Thomas Young**, Hudson, MI (US)

\* cited by examiner

*Primary Examiner*—Robert A Delehanty  
(74) *Attorney, Agent, or Firm*—Edgar A. Zarins; Lloyd D. Doigan

(73) Assignee: **Alsons Corporation**, Hillsdale, MI (US)

(57) **CLAIM**

(\*\*) Term: **14 Years**

The ornamental design for a showerhead holder, as shown and described.

(21) Appl. No.: **29/271,882**

(22) Filed: **Jan. 29, 2007**

**DESCRIPTION**

(51) **LOC (9) Cl.** ..... **23-02**

FIG. 1 is a perspective view of a showerhead holder showing our new design;

(52) **U.S. Cl.** ..... **D23/304**

FIG. 2 is a top plan view thereof, the opposite side being a mirror image of the side shown;

(58) **Field of Classification Search** ..... D23/275,  
D23/283, 303-304; 4/570, 615, 661, 900;

FIG. 3 is a first side view thereof; and,

D8/363, 377; 248/229.1, 218.4

FIG. 4 is a second side view thereof.

See application file for complete search history.

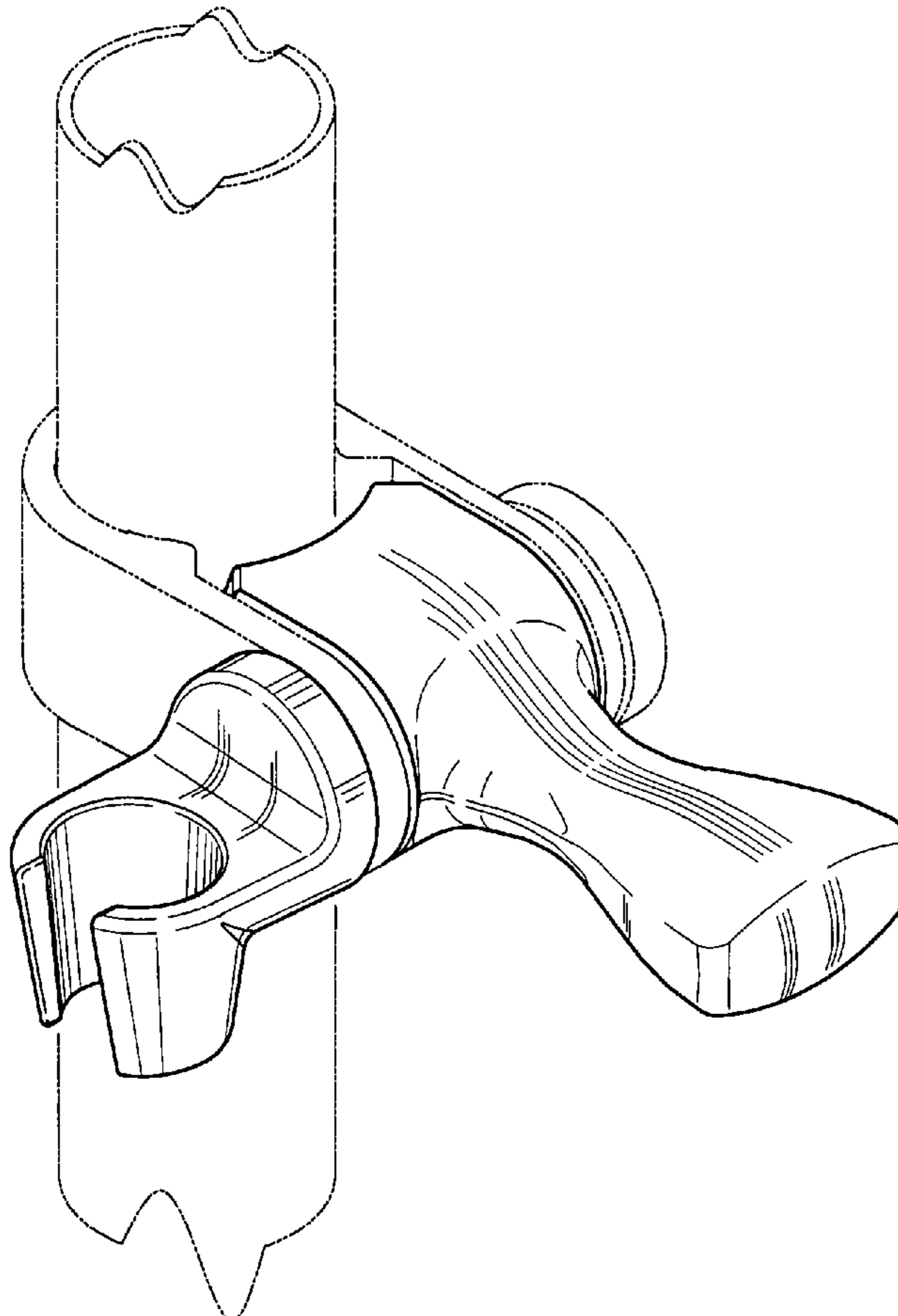
The broken line showing of a mounting stem is for illustrative purposes only and forms no part of the claimed design.

(56) **References Cited**

**U.S. PATENT DOCUMENTS**

D385,333 S \* 10/1997 Caroen et al. .... D23/304

**1 Claim, 3 Drawing Sheets**



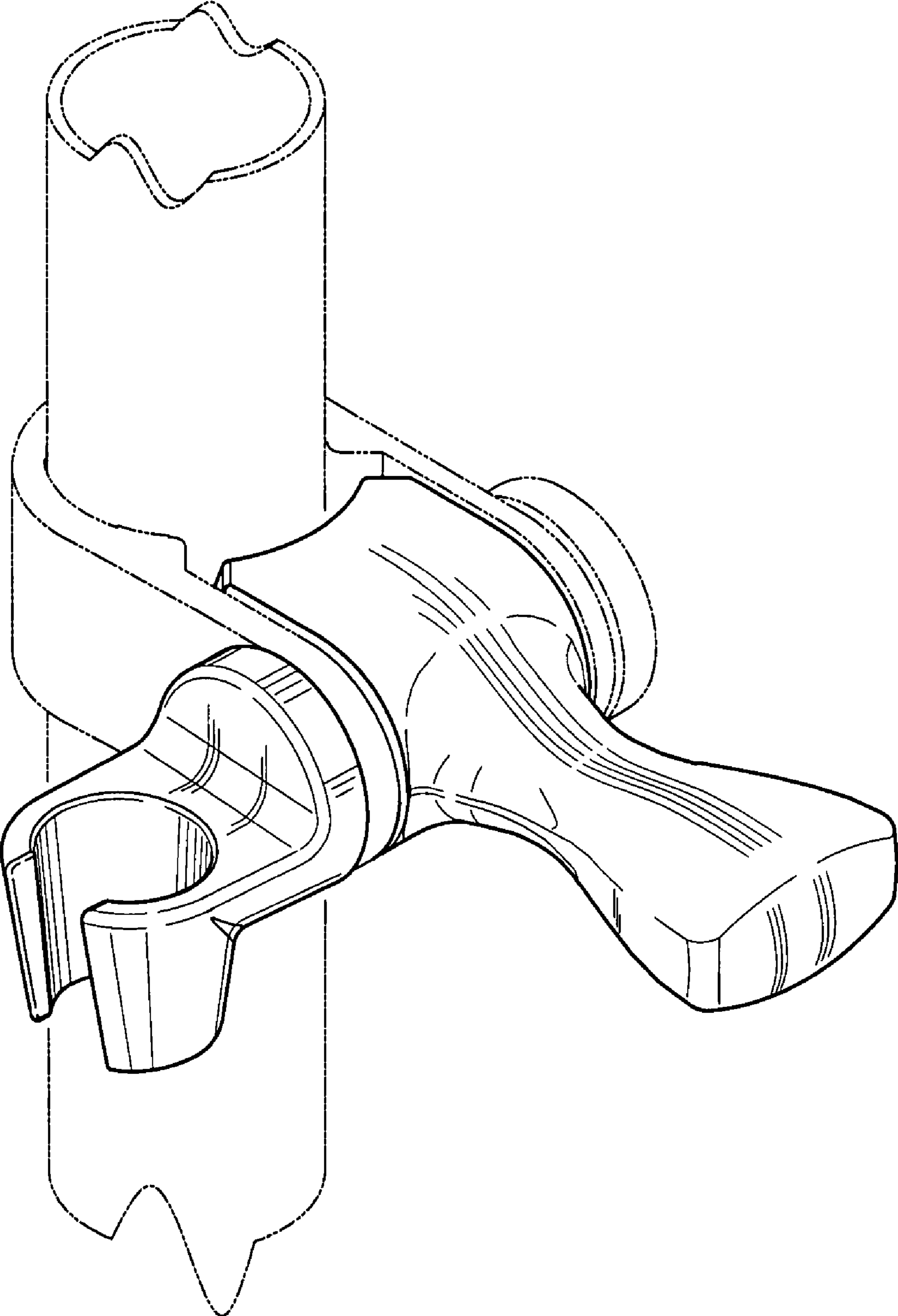


Fig-1

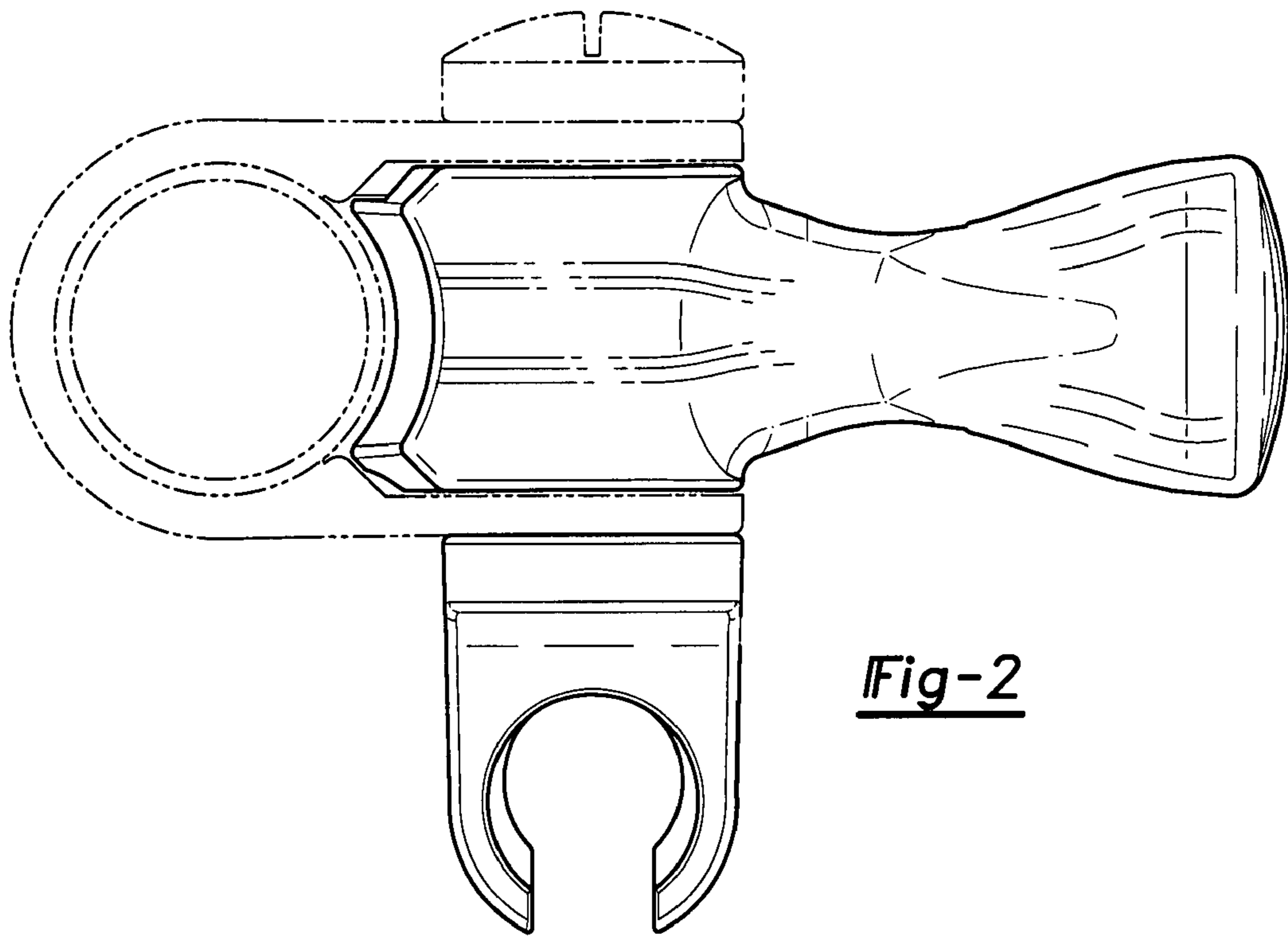


Fig-2

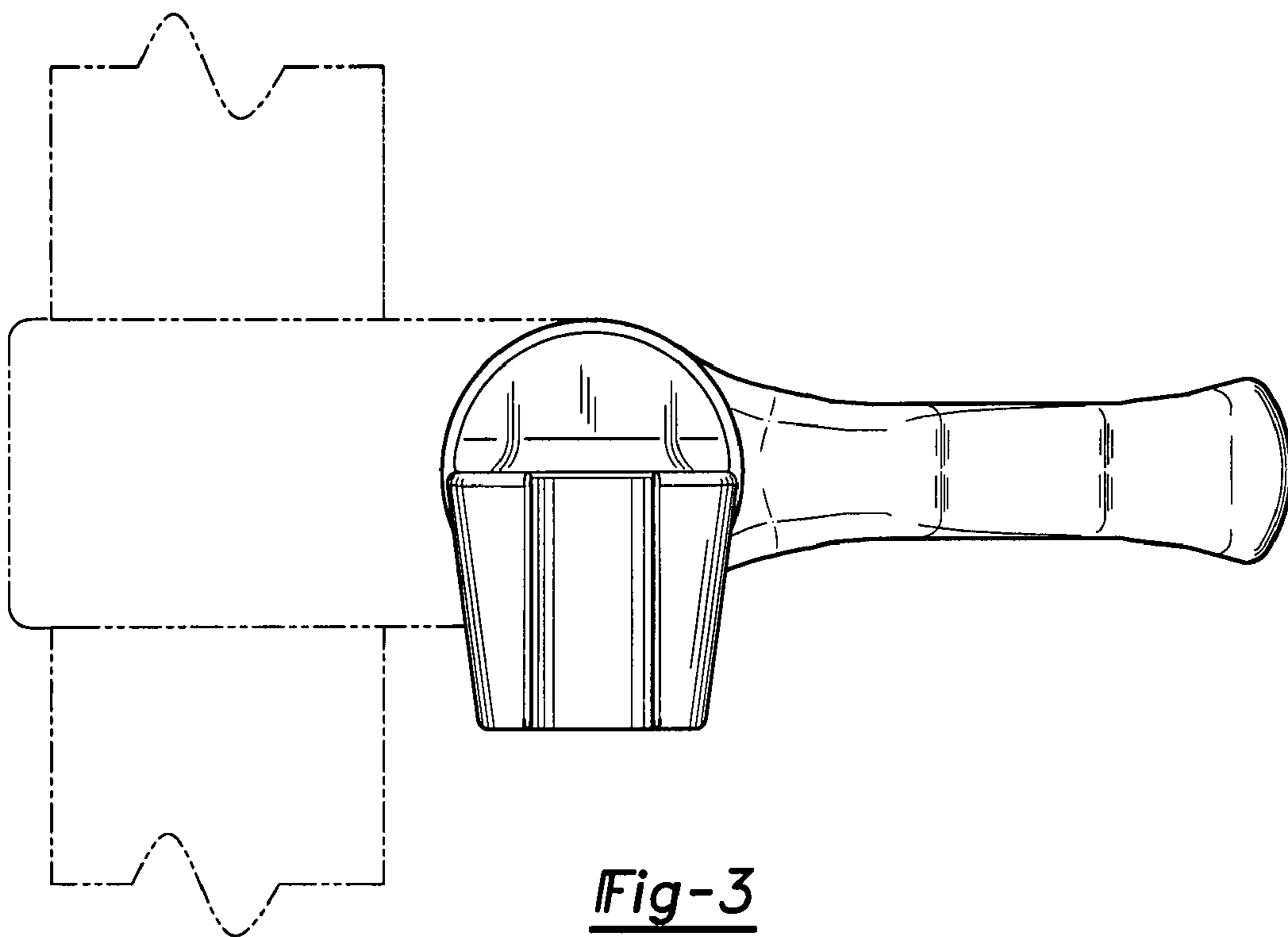


Fig-3

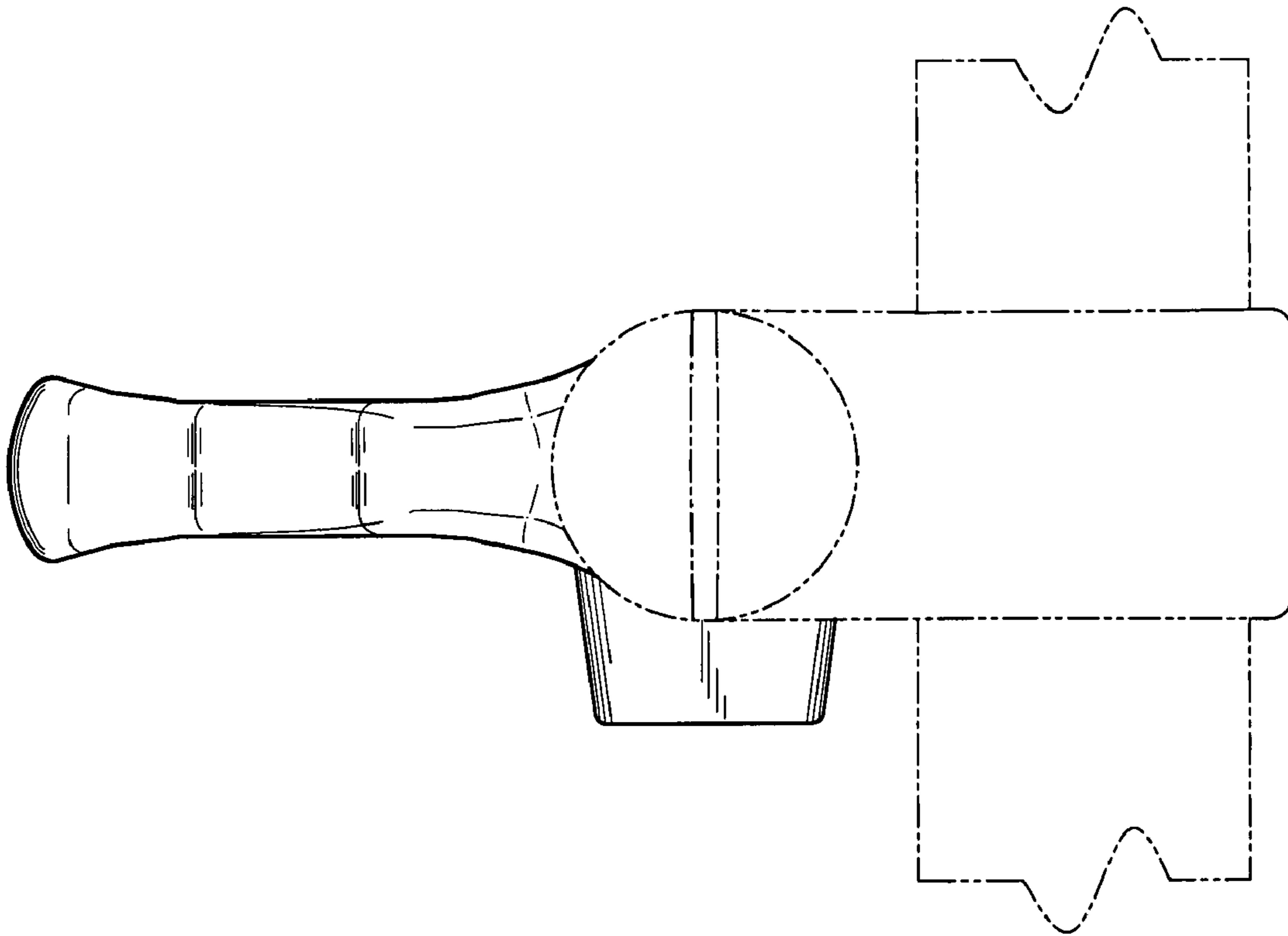


Fig-4