



US00D587356S

(12) **United States Design Patent**  
**Cummings**

(10) **Patent No.:** **US D587,356 S**  
(45) **Date of Patent:** **\*\* Feb. 24, 2009**

(54) **TOILET PAN**

(75) Inventor: **Stephen John Cummings**, Newport (AU)

(73) Assignee: **Caroma Industries Limited**, Brisbane, Queensland (AU)

(\*\*) Term: **14 Years**

(21) Appl. No.: **29/271,666**

(22) Filed: **Jan. 24, 2007**

(30) **Foreign Application Priority Data**  
Aug. 18, 2006 (AU) ..... 13686/06

(51) **LOC (9) Cl.** ..... **23-01**

(52) **U.S. Cl.** ..... **D23/295**

(58) **Field of Classification Search** ..... D23/295,  
D23/301, 303, 309, 299; 4/664, 300, 420,  
4/DIG. 15

(56) **References Cited**

U.S. PATENT DOCUMENTS

D484,223 S \* 12/2003 Tani et al. .... D23/295

\* cited by examiner

*Primary Examiner*—Robert A Delehanty

(74) *Attorney, Agent, or Firm*—Merchant & Gould P.C.

(57) **CLAIM**

The ornamental design for a toilet pan, as shown and described.

**DESCRIPTION**

FIG. 1 is a Top View showing our new design;

FIG. 2 is a Front View thereof;

FIG. 3 is a Right View thereof;

FIG. 4 is a Back View thereof;

FIG. 5 is a Left View thereof;

FIG. 6 is a Bottom View thereof; and;

FIG. 7 is an Isometric View thereof.

The broken lines shown in FIGS. 1, 4 and 6 illustrate mechanical features and form no part of the claimed design.

See application file for complete search history.

**1 Claim, 6 Drawing Sheets**

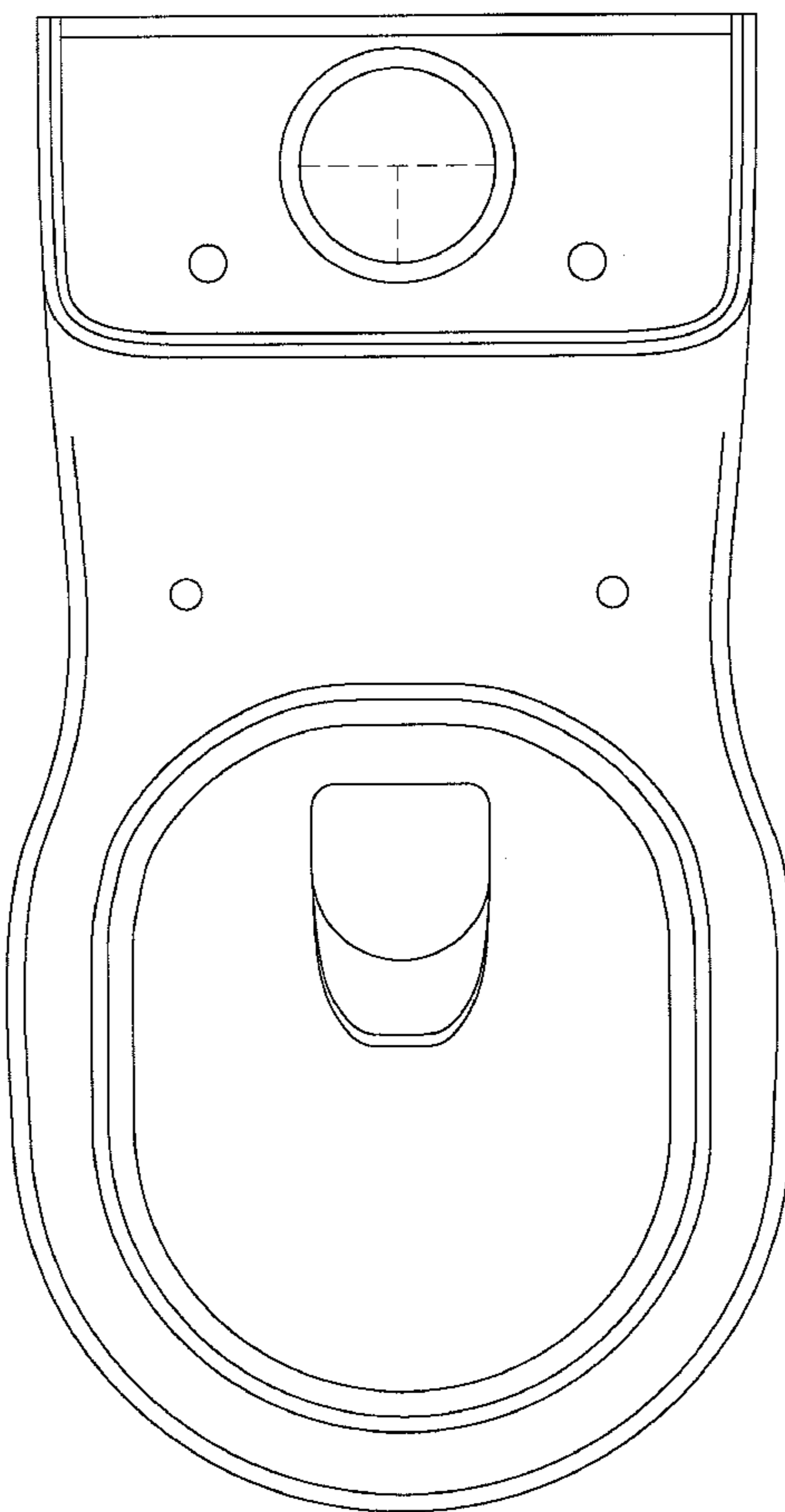


FIG. 1

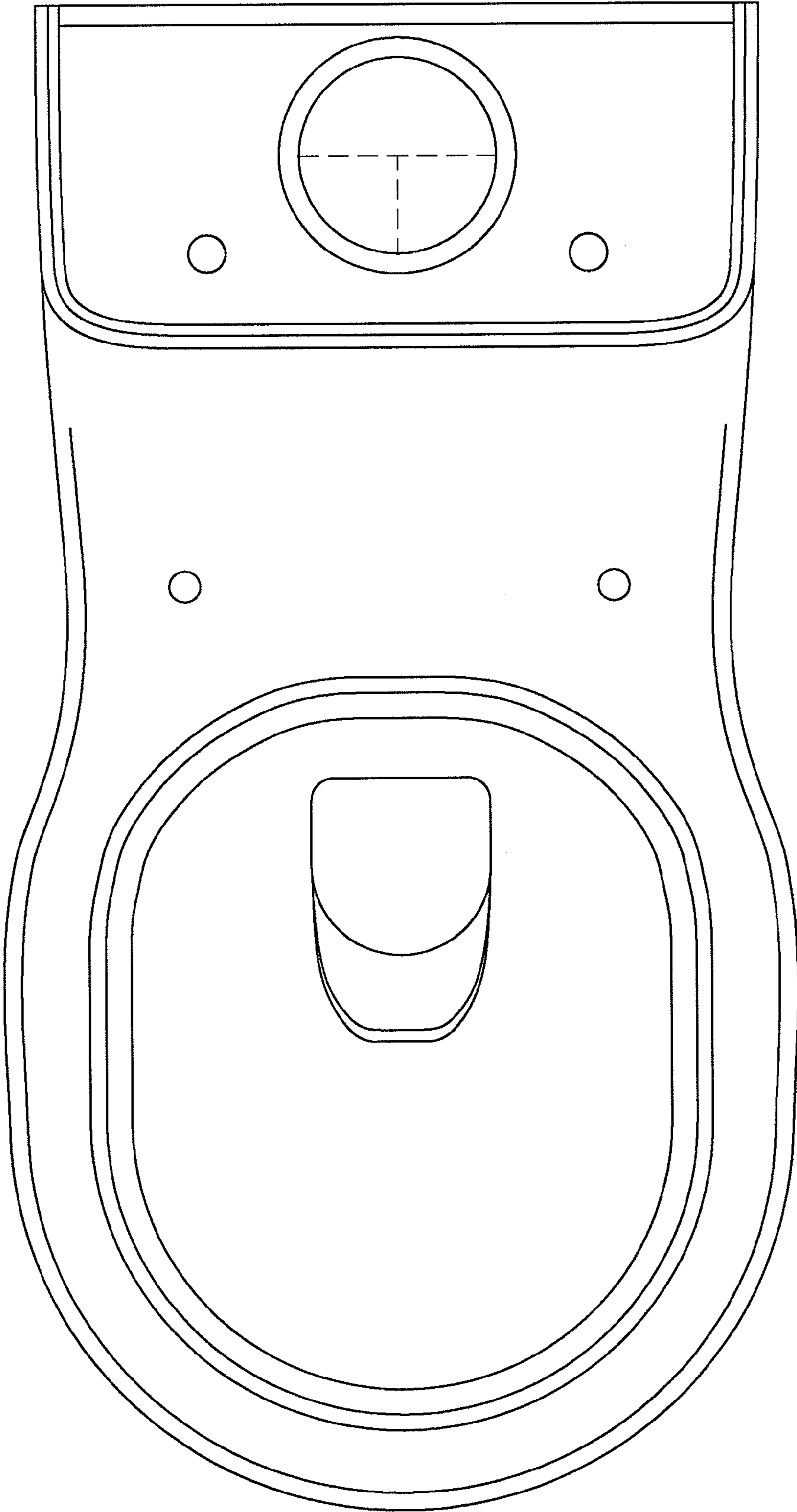


FIG. 2

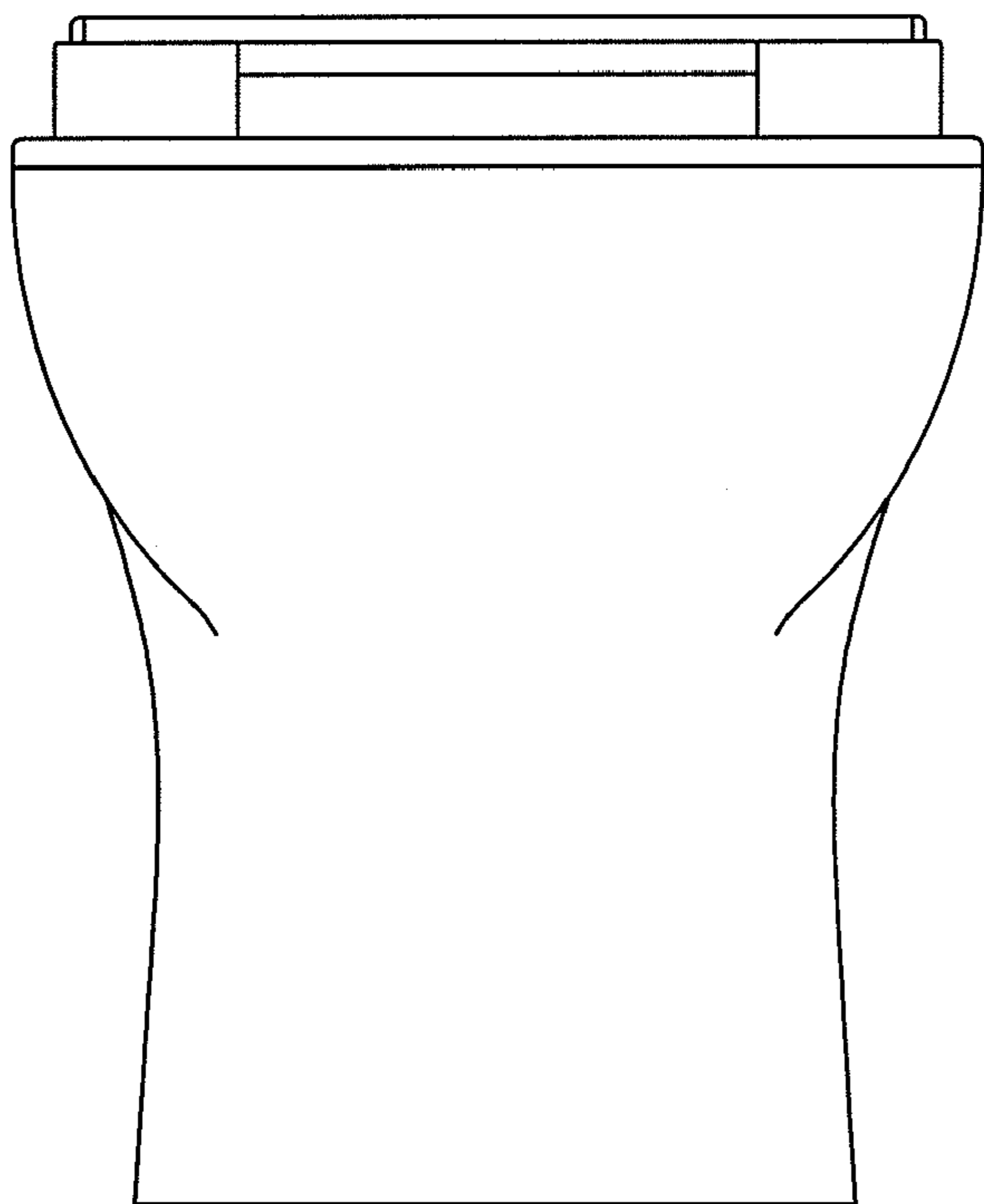
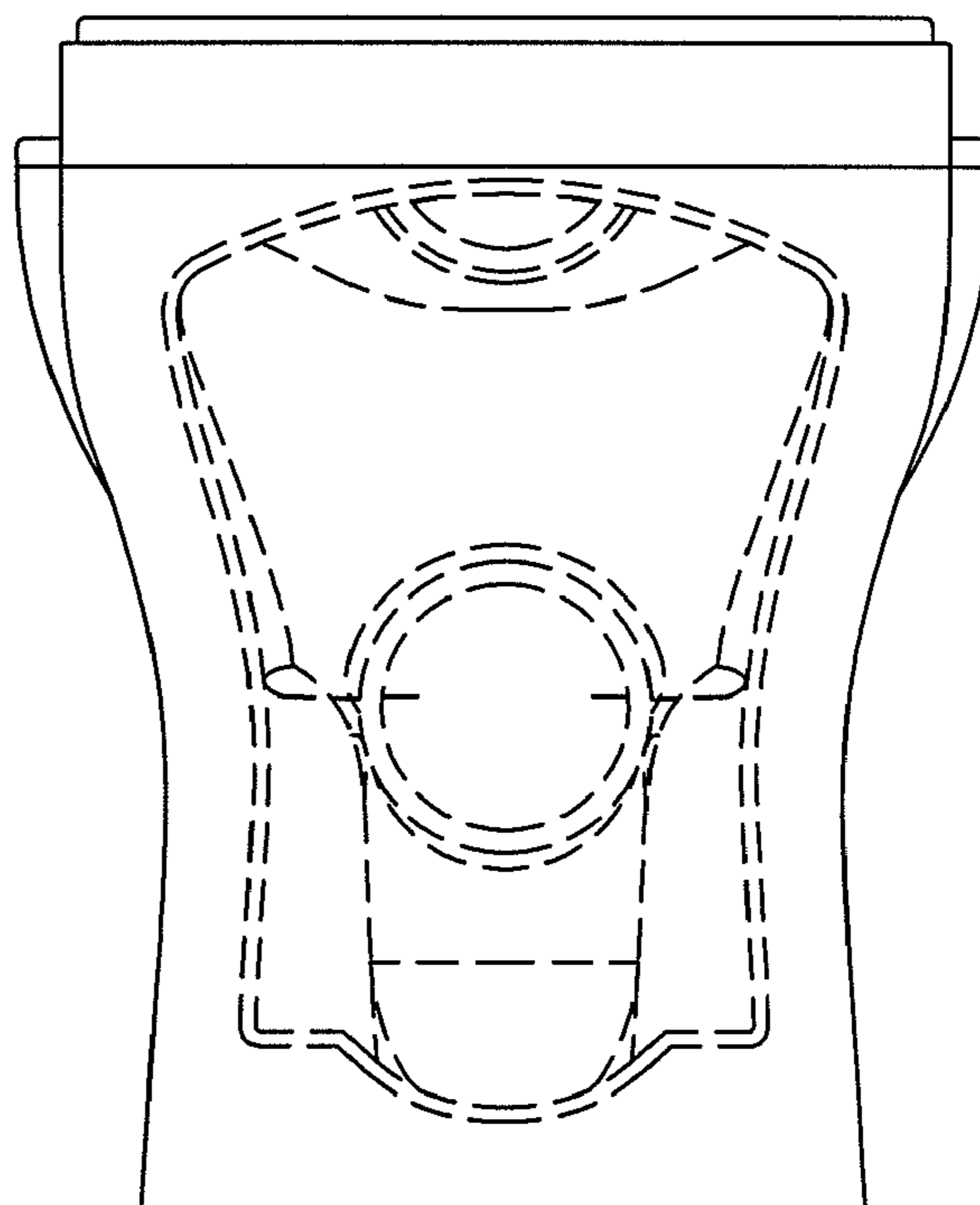


FIG. 4



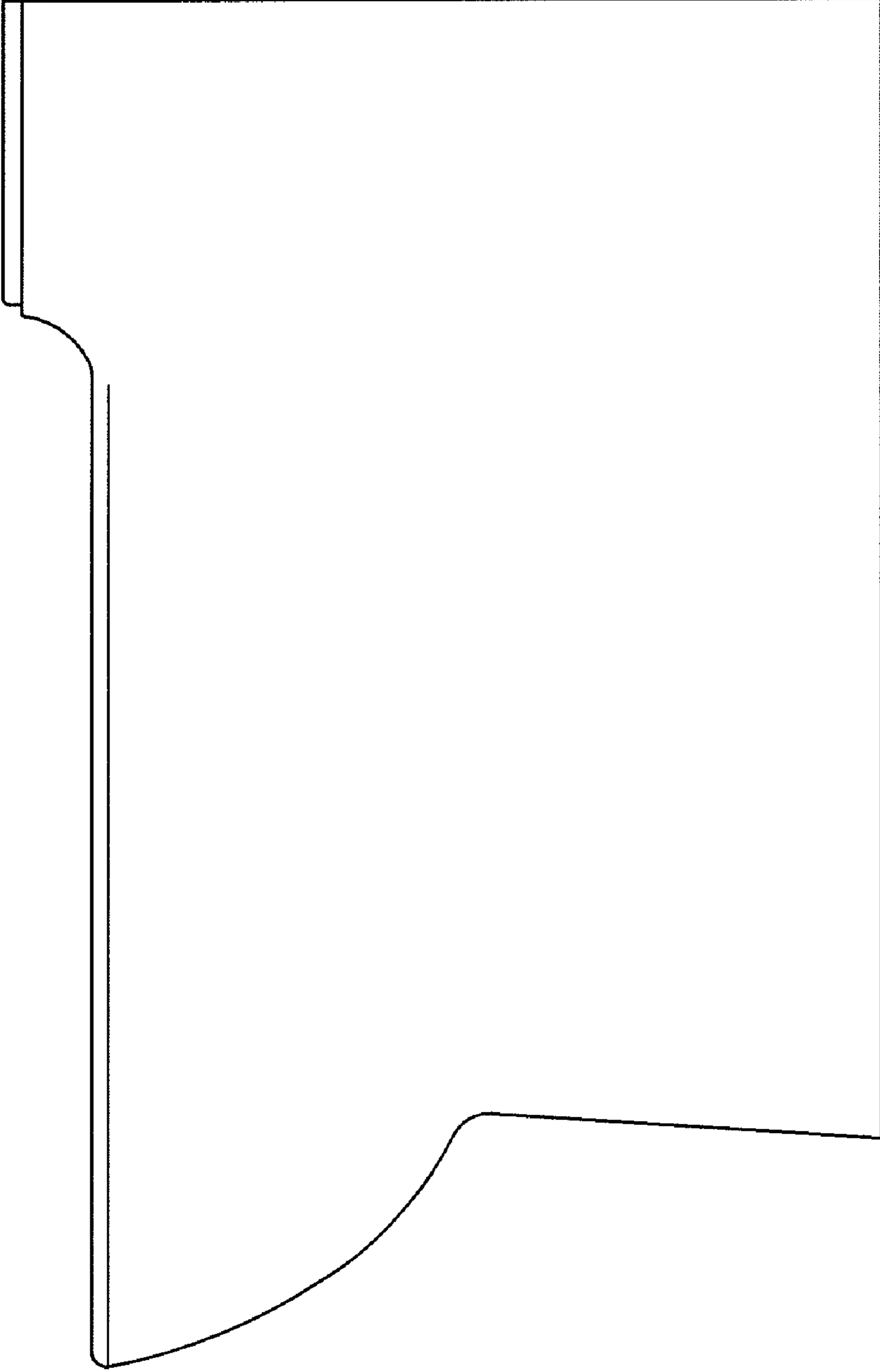


FIG. 3

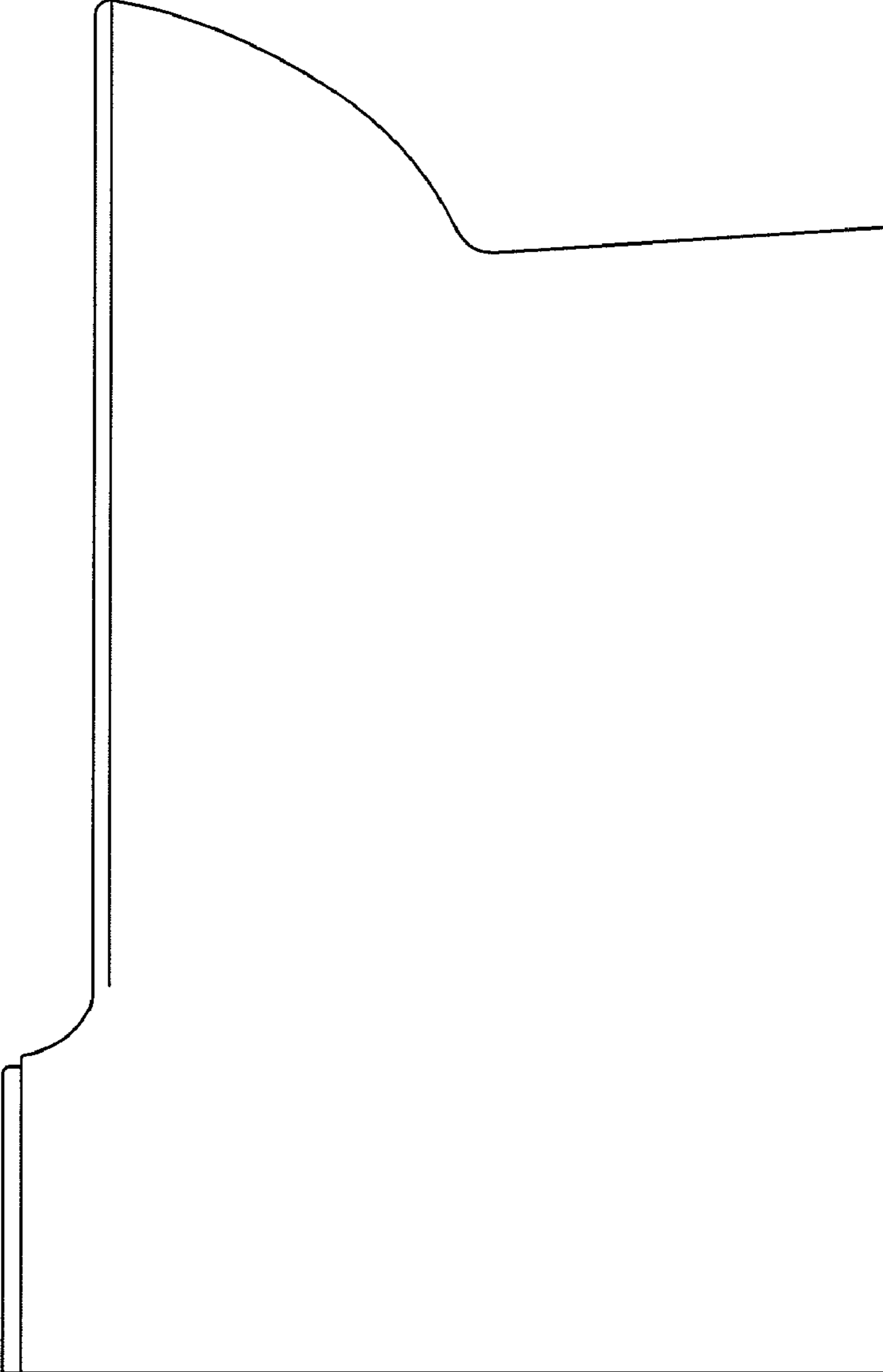
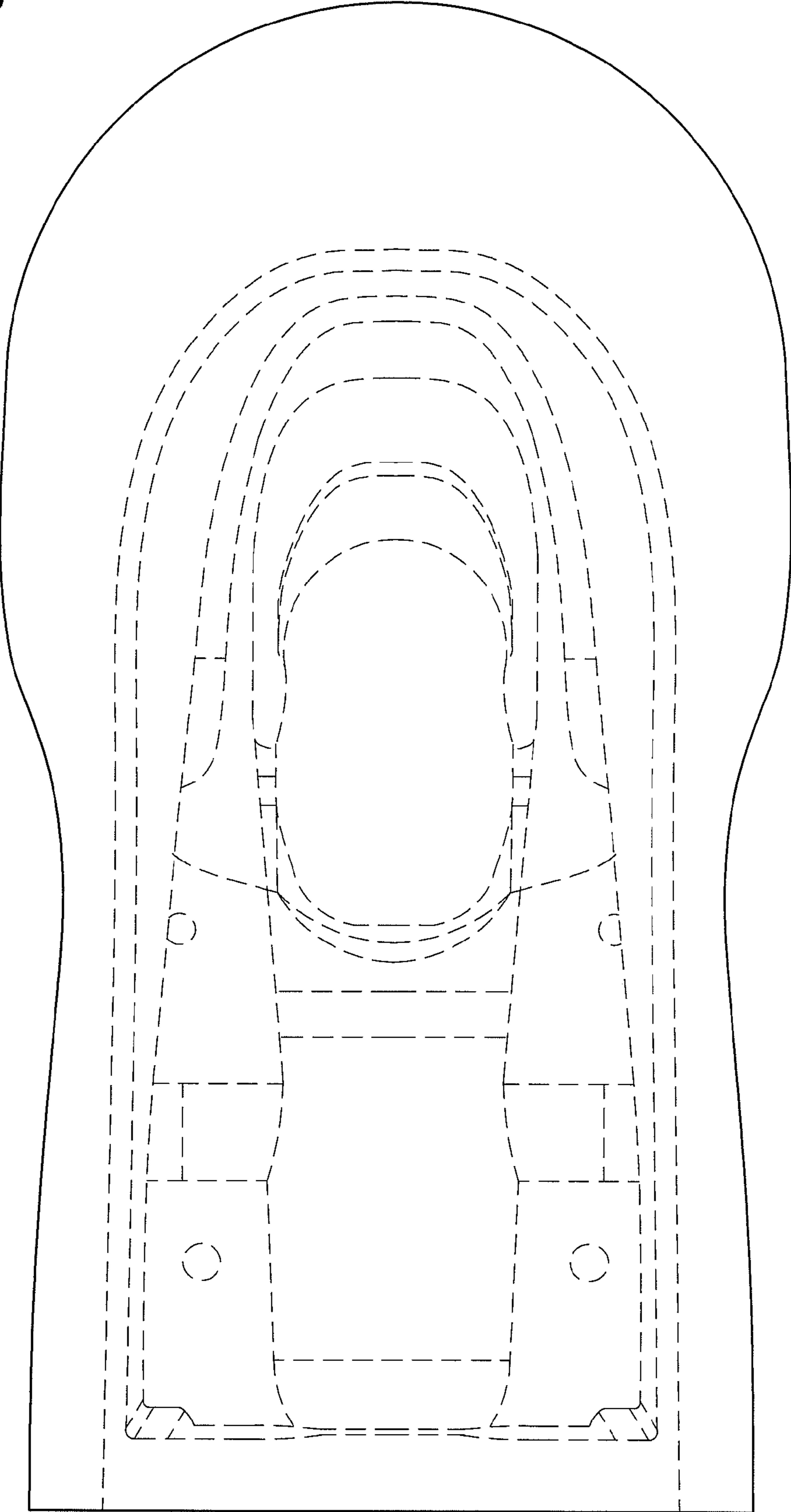


FIG. 5

FIG. 6



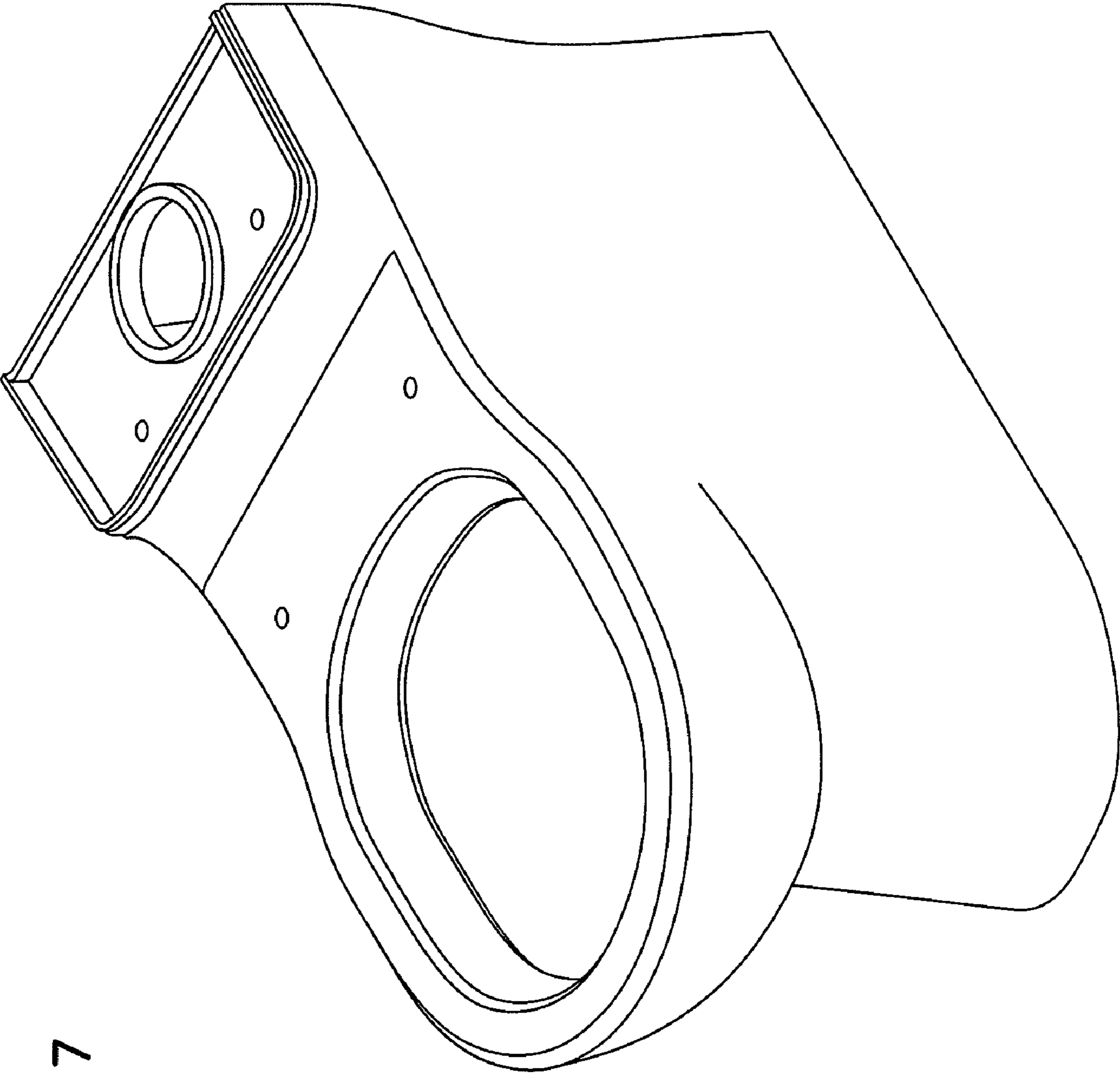


FIG. 7