



US00D587355S

(12) **United States Design Patent**  
**Taylor**

(10) **Patent No.:** **US D587,355 S**

(45) **Date of Patent:** **\*\* Feb. 24, 2009**

(54) **SINK**

(75) Inventor: **Lee Taylor**, Birstall (GB)

(73) Assignee: **Jacuzzi UK Group PLC**, Bradford (GB)

(\*\*) Term: **14 Years**

(21) Appl. No.: **29/287,210**

(22) Filed: **Jul. 10, 2007**

(51) **LOC (9) Cl.** ..... **23-02**

(52) **U.S. Cl.** ..... **D23/290**

(58) **Field of Classification Search** ..... D23/284,  
D23/287, 291–293.1, 303, 308, 290; 4/630,  
4/631, 637, 638, 661, 639–642

See application file for complete search history.

(56) **References Cited**

**U.S. PATENT DOCUMENTS**

D504,716 S	*	5/2005	Bayer et al.	.....	D23/290
D525,689 S	*	7/2006	Wozniczka et al.	.....	D23/290
D546,928 S	*	7/2007	Ziemann	.....	D23/290
D558,312 S	*	12/2007	Webb	.....	D23/290

**OTHER PUBLICATIONS**

Flyer, "Why\_Choose\_Astracast"; pp. 3-15.

Brochure, "Vernon Tutbury Inspired Kitchens, The Vernon Tutbury Collection from Astracast" (2 pgs).

\* cited by examiner

*Primary Examiner*—Robert A Delehanty

(74) *Attorney, Agent, or Firm*—Nixon & Vanderhye

(57) **CLAIM**

The ornamental design for a "sink," as shown and described.

**DESCRIPTION**

FIG. 1 is a top perspective view of the sink of the invention;

FIG. 2 is a side view from one side of the sink;

FIG. 3 is a side view from the other side of the sink;

FIG. 4 is a plan view of the sink;

FIG. 5 is a view of the underside of the sink;

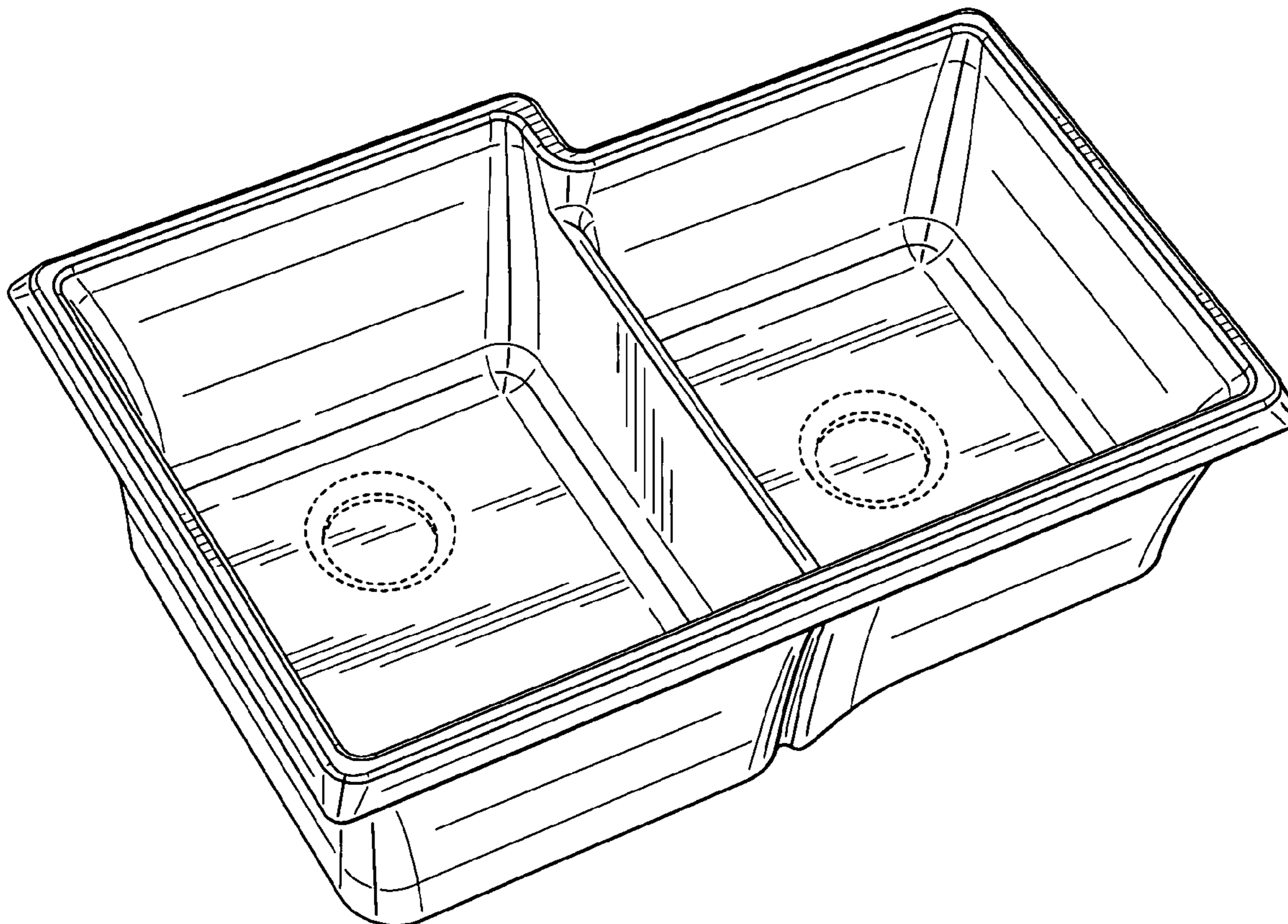
FIG. 6 is an end view from one end of the sink;

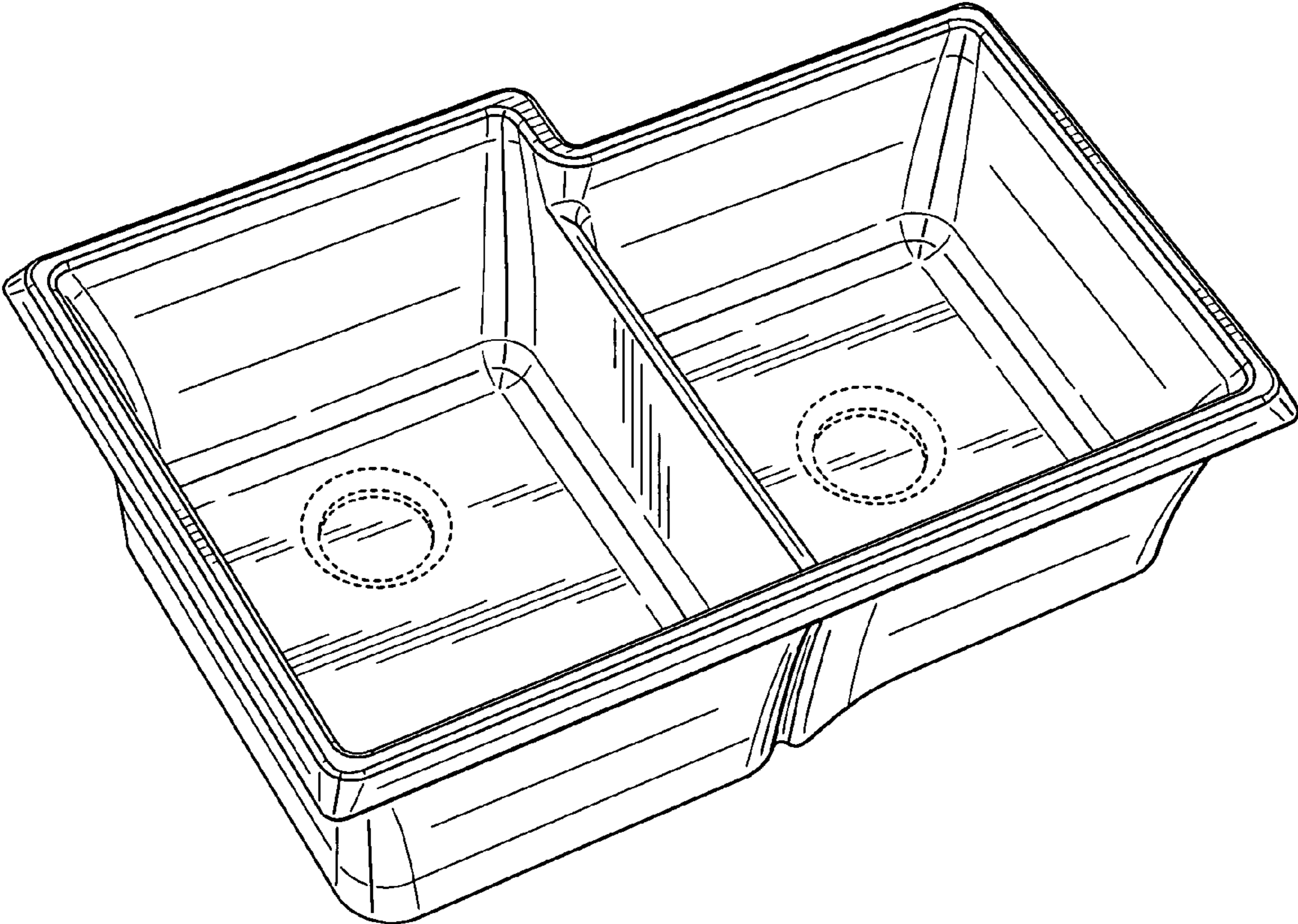
FIG. 7 is an end view from the other end of the sink; and,

FIG. 8 is a perspective view of the underside of the sink.

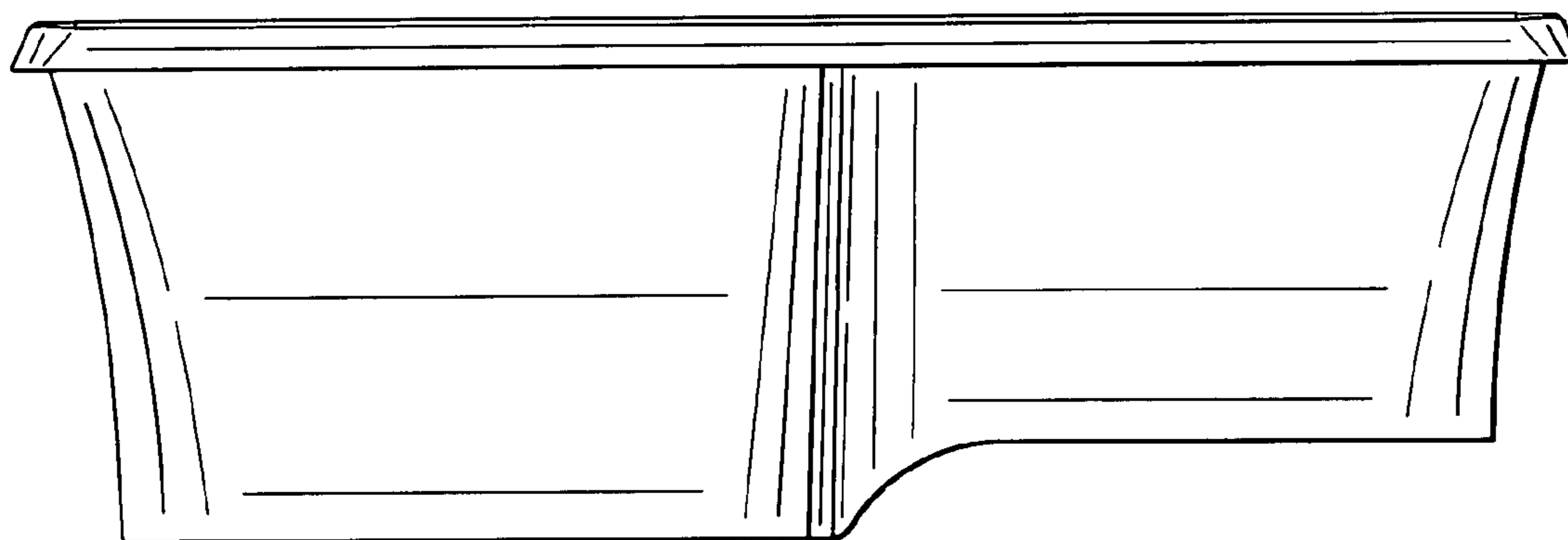
The elements shown in FIGS. 1, 4, 5, 6 and 8 in broken lines are for illustrative purposes and do not form part of the claimed design.

**1 Claim, 6 Drawing Sheets**

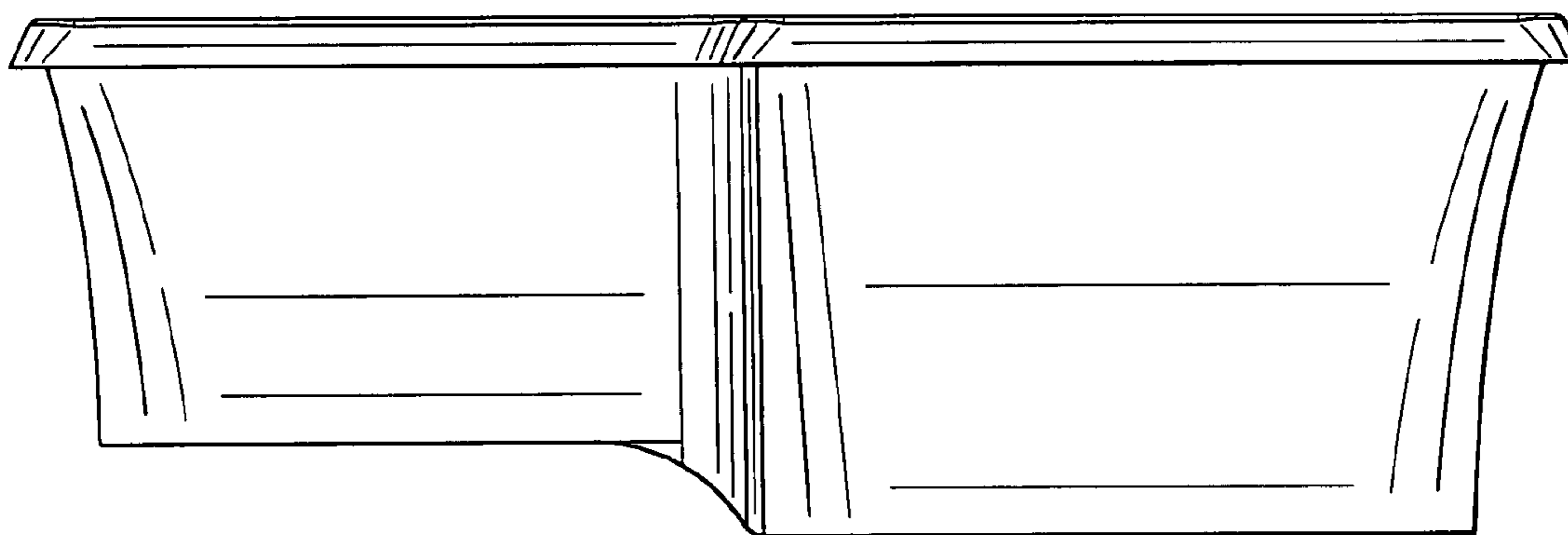




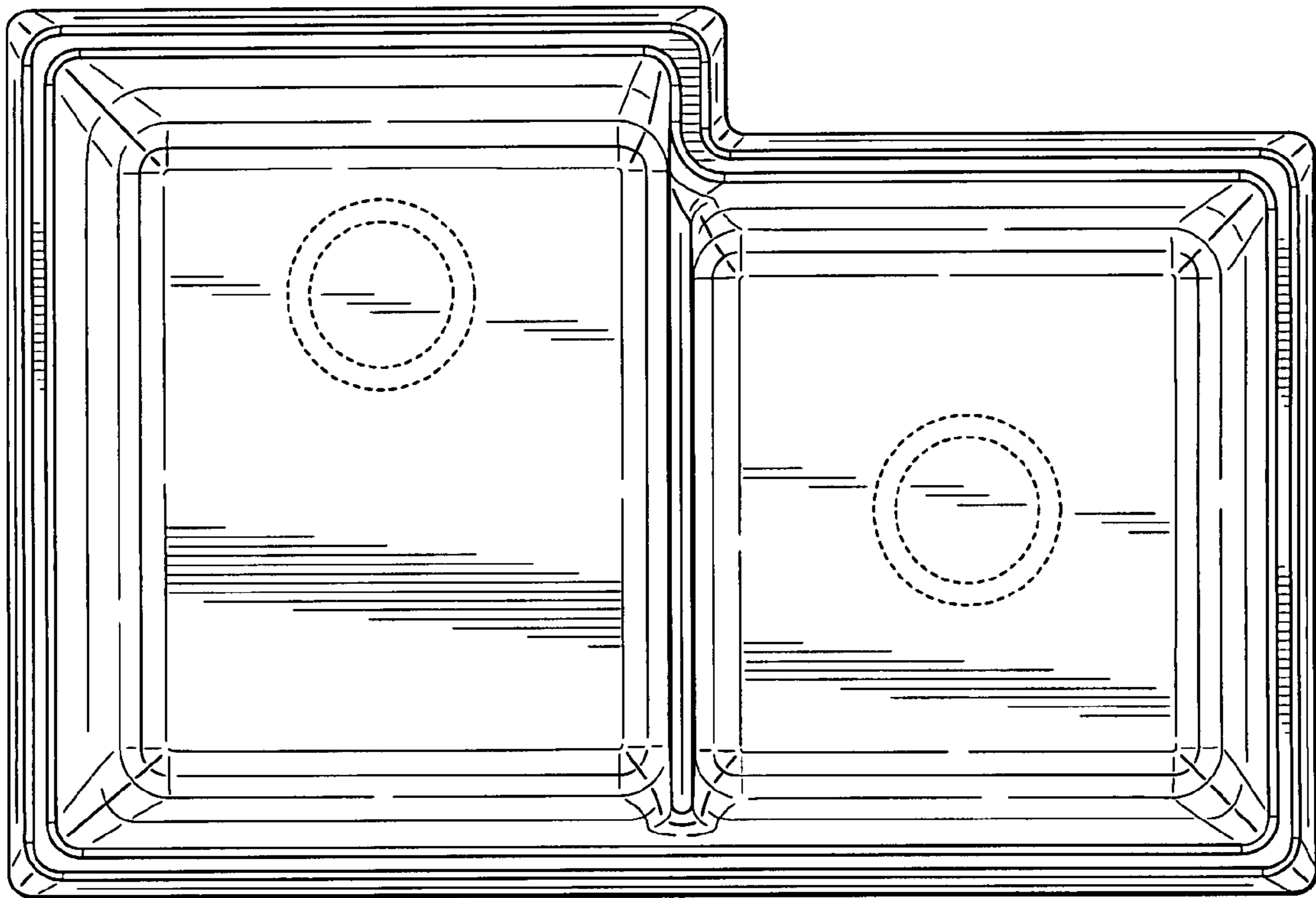
*Fig. 1*



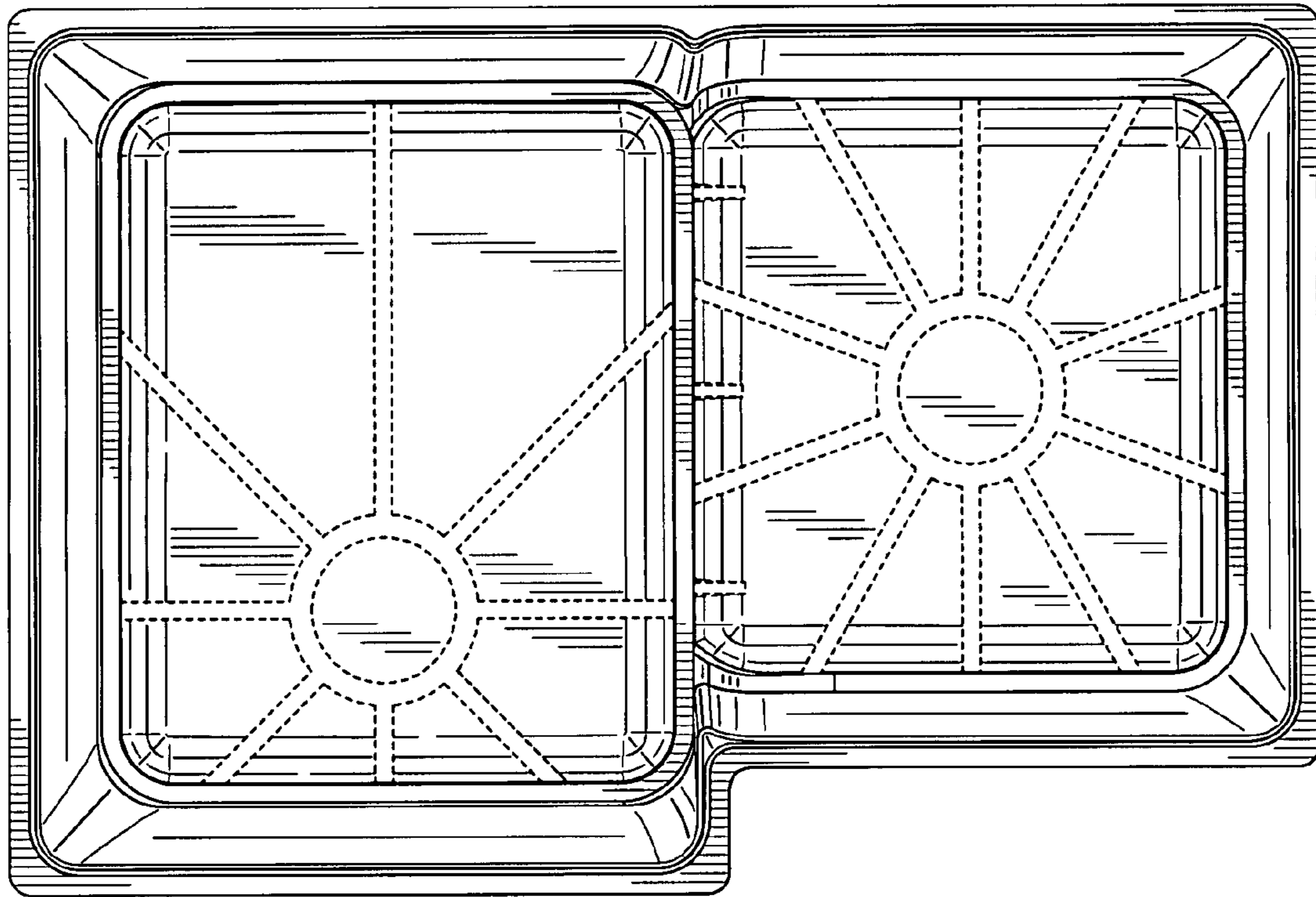
*Fig. 2*



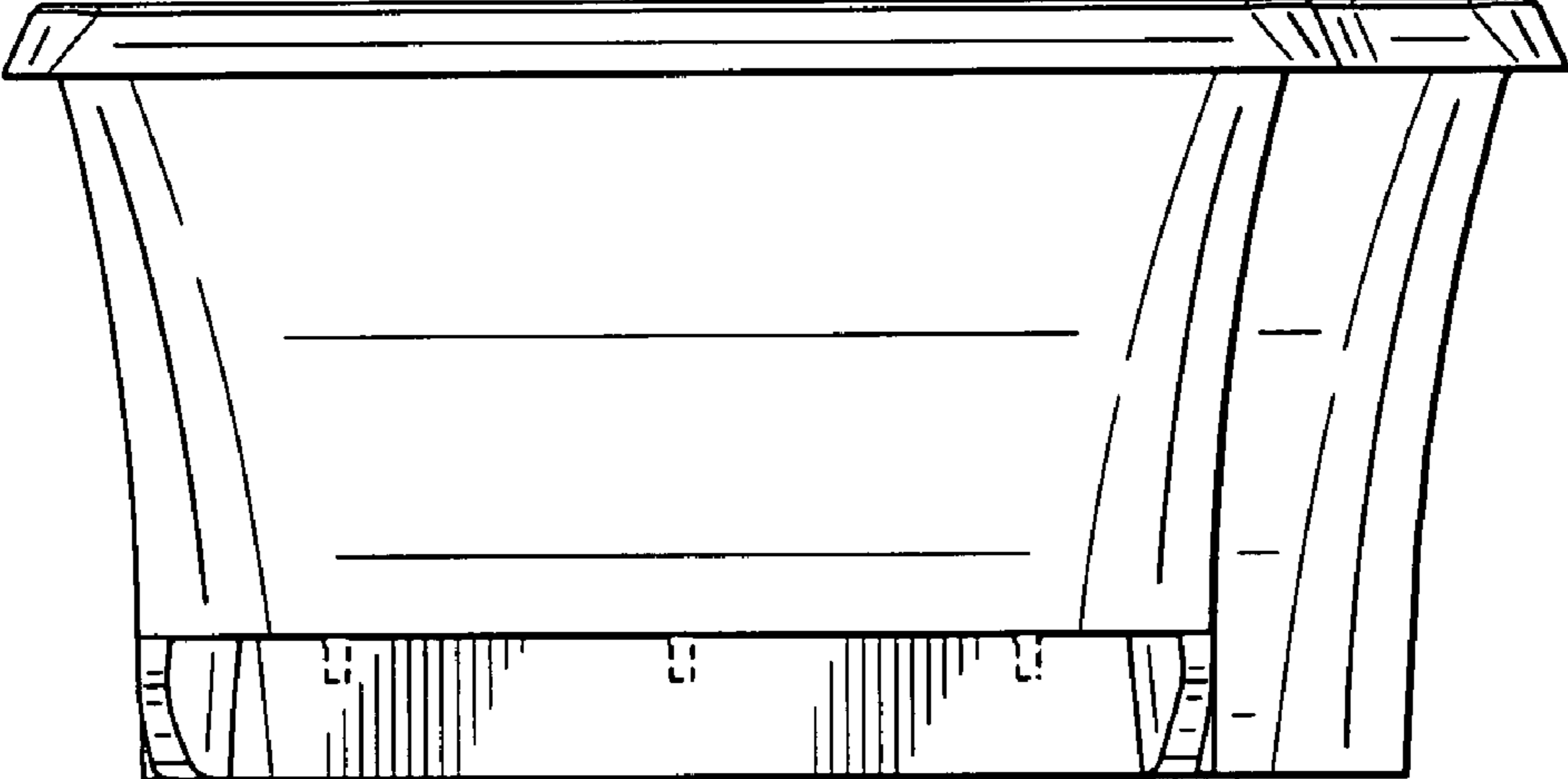
*Fig. 3*



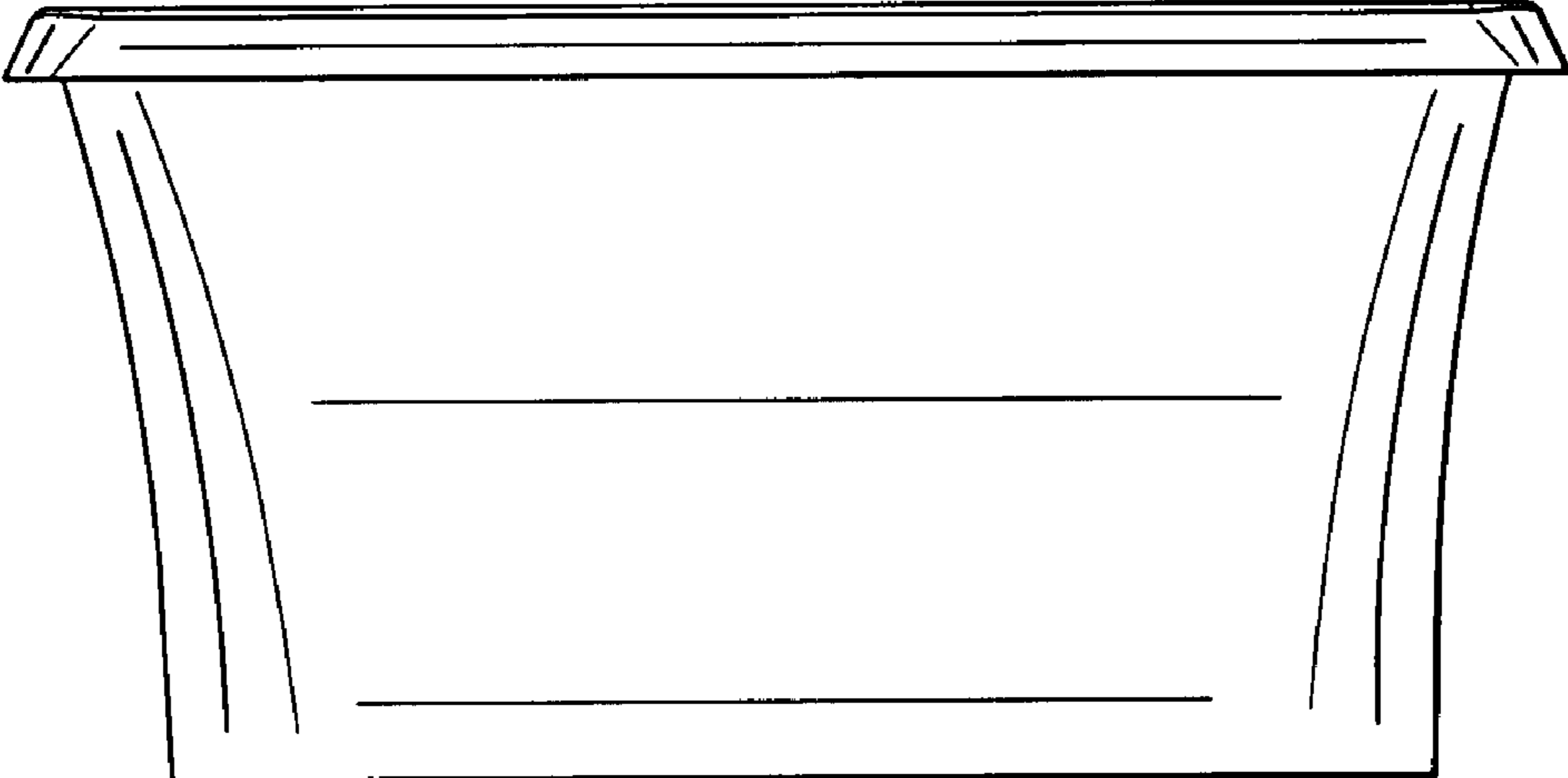
*Fig. 4*



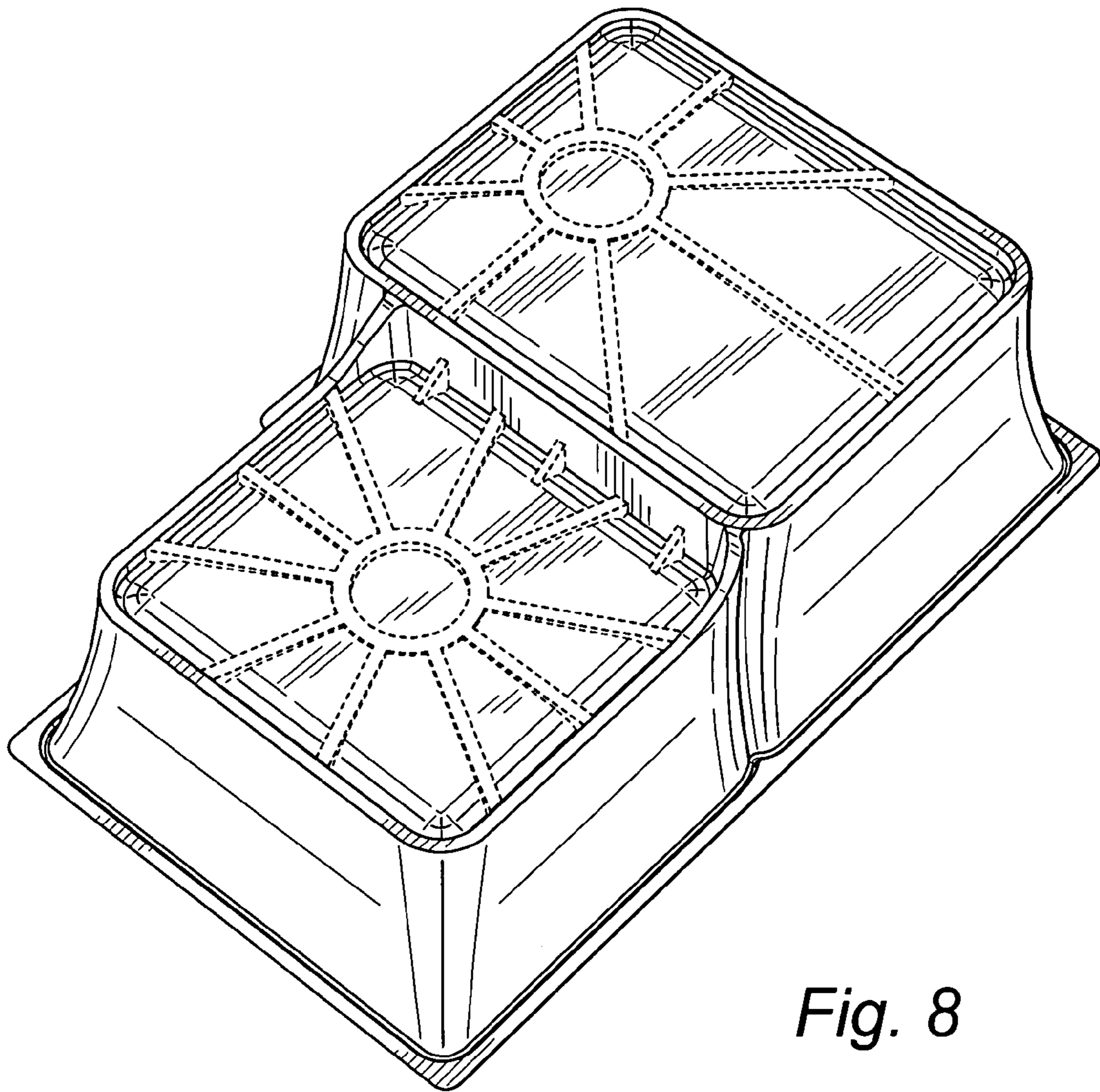
*Fig. 5*



*Fig. 6*



*Fig. 7*



*Fig. 8*