



US00D587353S

(12) **United States Design Patent**
Ziemann

(10) **Patent No.:** **US D587,353 S**

(45) **Date of Patent:** **** Feb. 24, 2009**

(54) **SINK**

D506,245 S * 6/2005 Painter D23/287

(75) Inventor: **Brigitte Ziemann**, Eppingen (DE)

* cited by examiner

(73) Assignee: **BLANCO GmbH + Co KG**,
Oberderdingen (DE)

Primary Examiner—Robert A Delehanty

(74) *Attorney, Agent, or Firm*—Hanley, Flight and
Zimmerman, LLC

(**) Term: **14 Years**

(57) **CLAIM**

(21) Appl. No.: **29/284,769**

The ornamental design for a “sink,” as shown and described.

(22) Filed: **Sep. 14, 2007**

DESCRIPTION

(51) **LOC (9) Cl.** **23-02**

FIG. 1 is a perspective view of the sink;

(52) **U.S. Cl.** **D23/290; D23/287**

FIG. 2 is a top plan view of the sink;

(58) **Field of Classification Search** D23/284,
D23/287, 291–293.1, 303, 308, 290; 4/630,
4/631, 637, 638, 661, 639–642

FIG. 3 is a bottom view of the sink;

FIG. 4 is a front view of the sink;

See application file for complete search history.

FIG. 5 is a rear view of the sink;

FIG. 6 is a right side view of the sink; and,

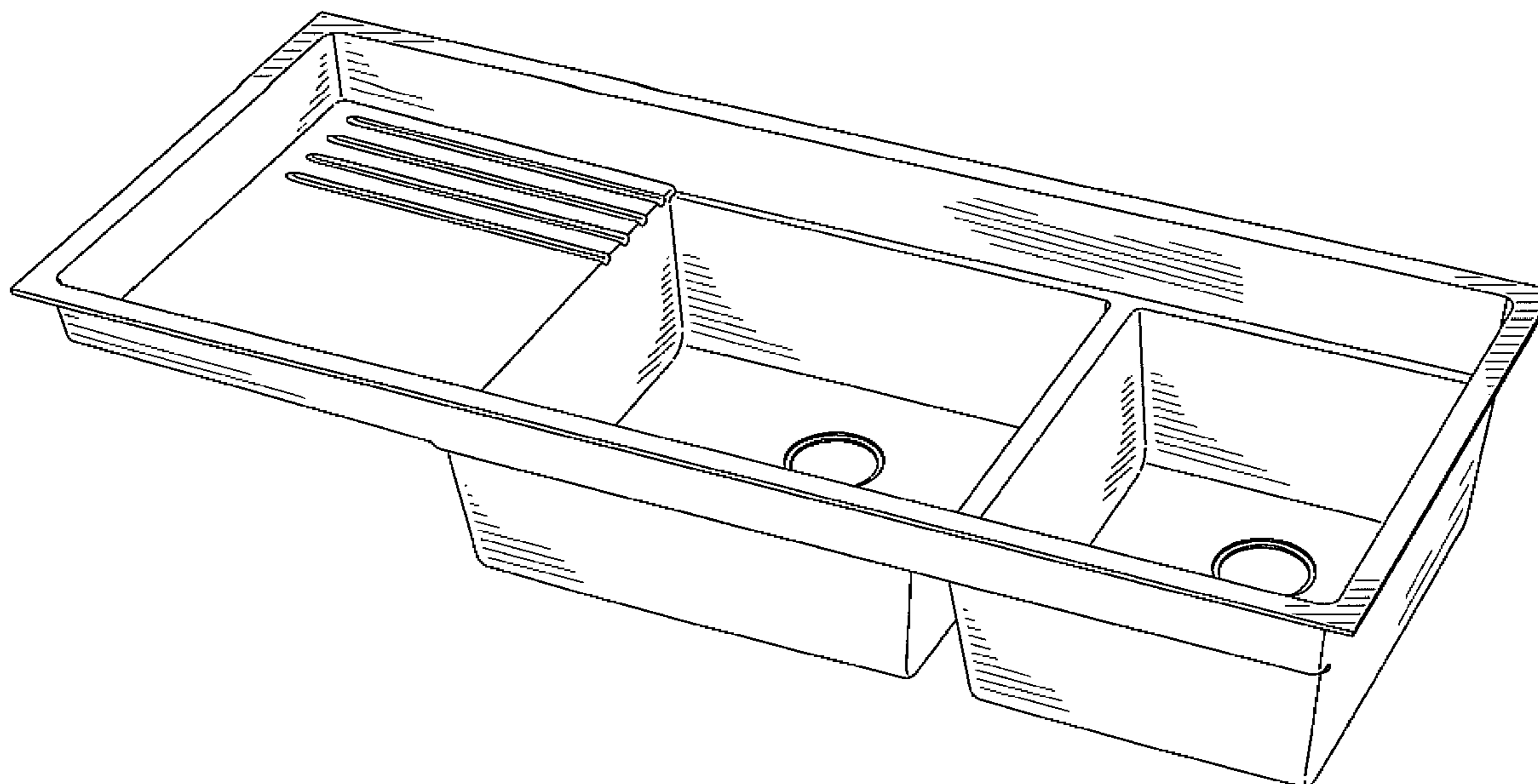
FIG. 7 is a left side view of the sink.

(56) **References Cited**

U.S. PATENT DOCUMENTS

D501,542 S * 2/2005 Soulier D23/287

1 Claim, 7 Drawing Sheets



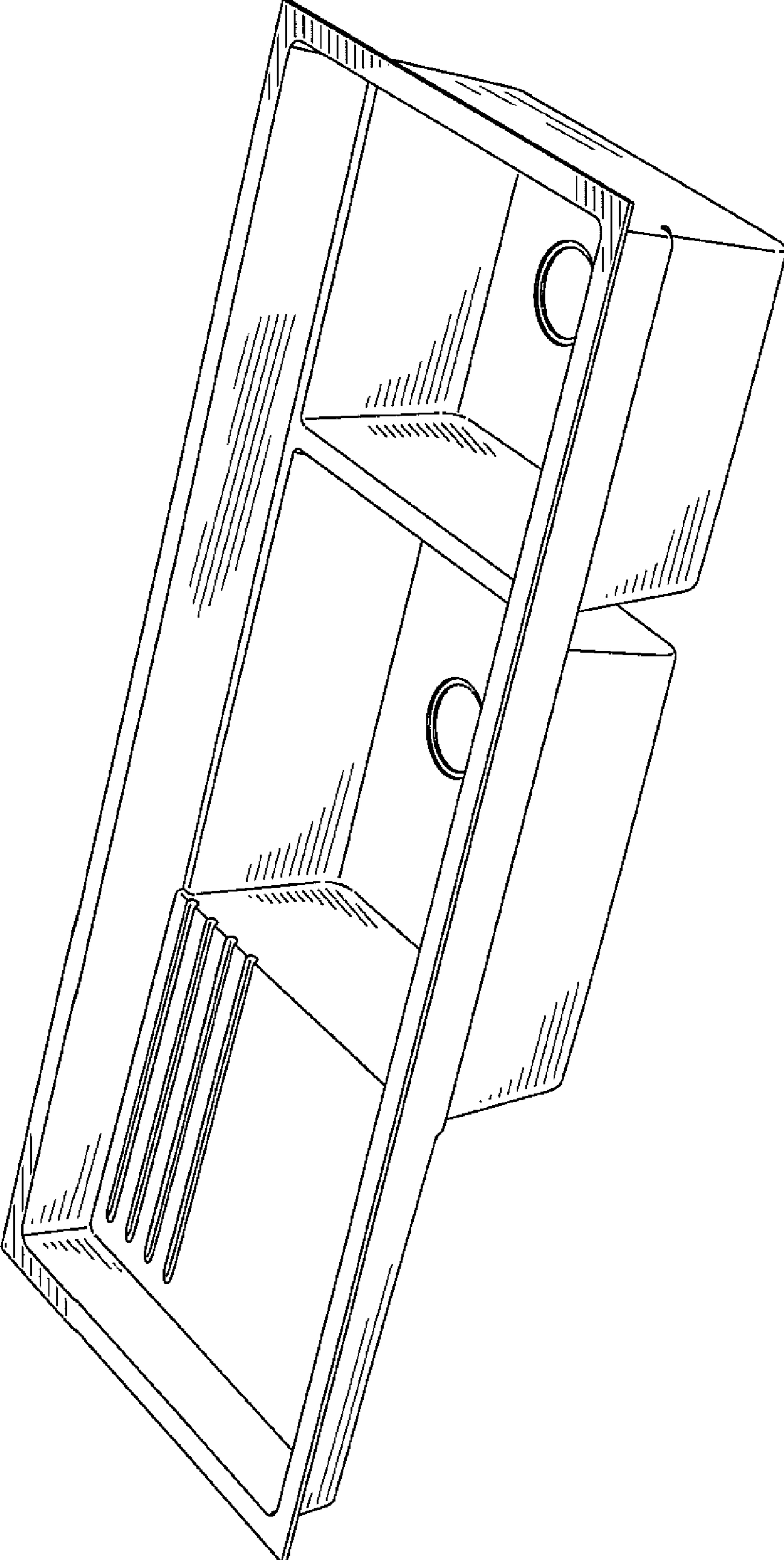


FIG. 1

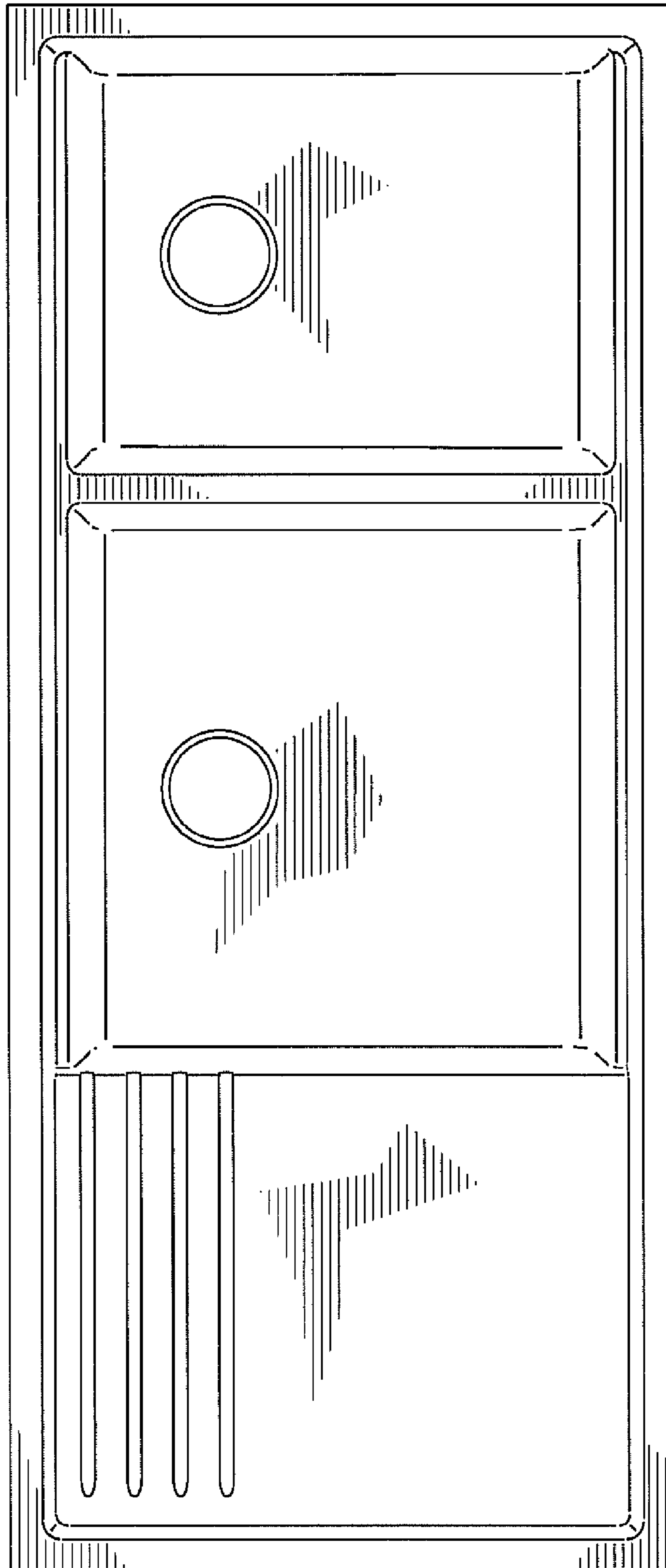


FIG. 2

FIG. 3

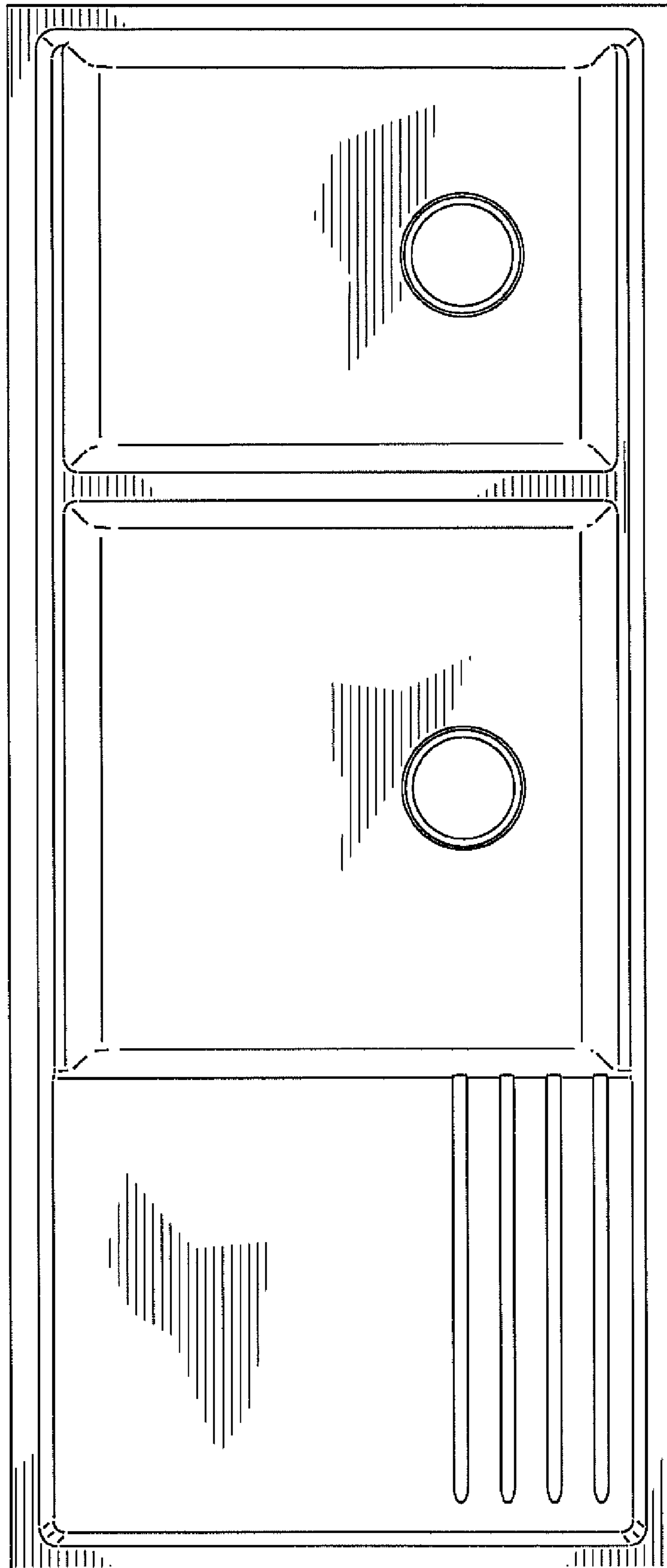


FIG. 4

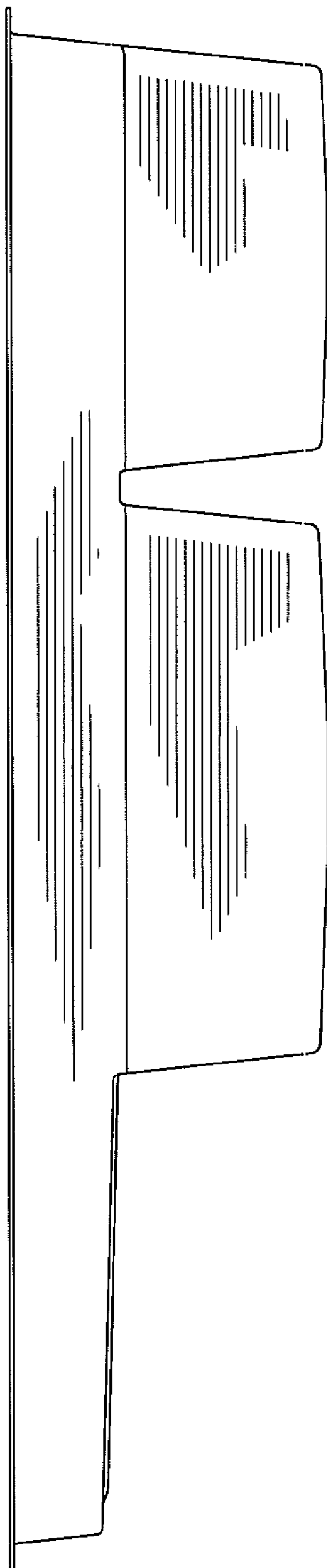
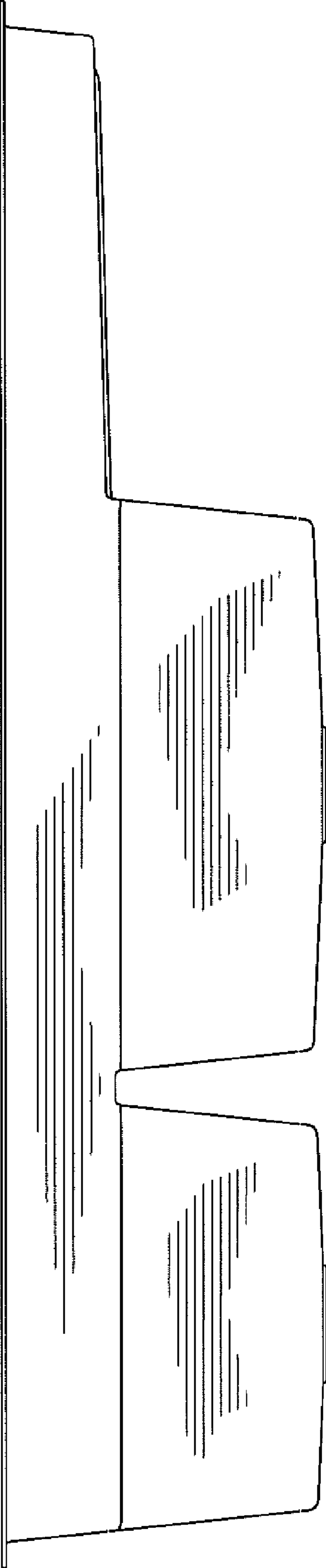


FIG. 5



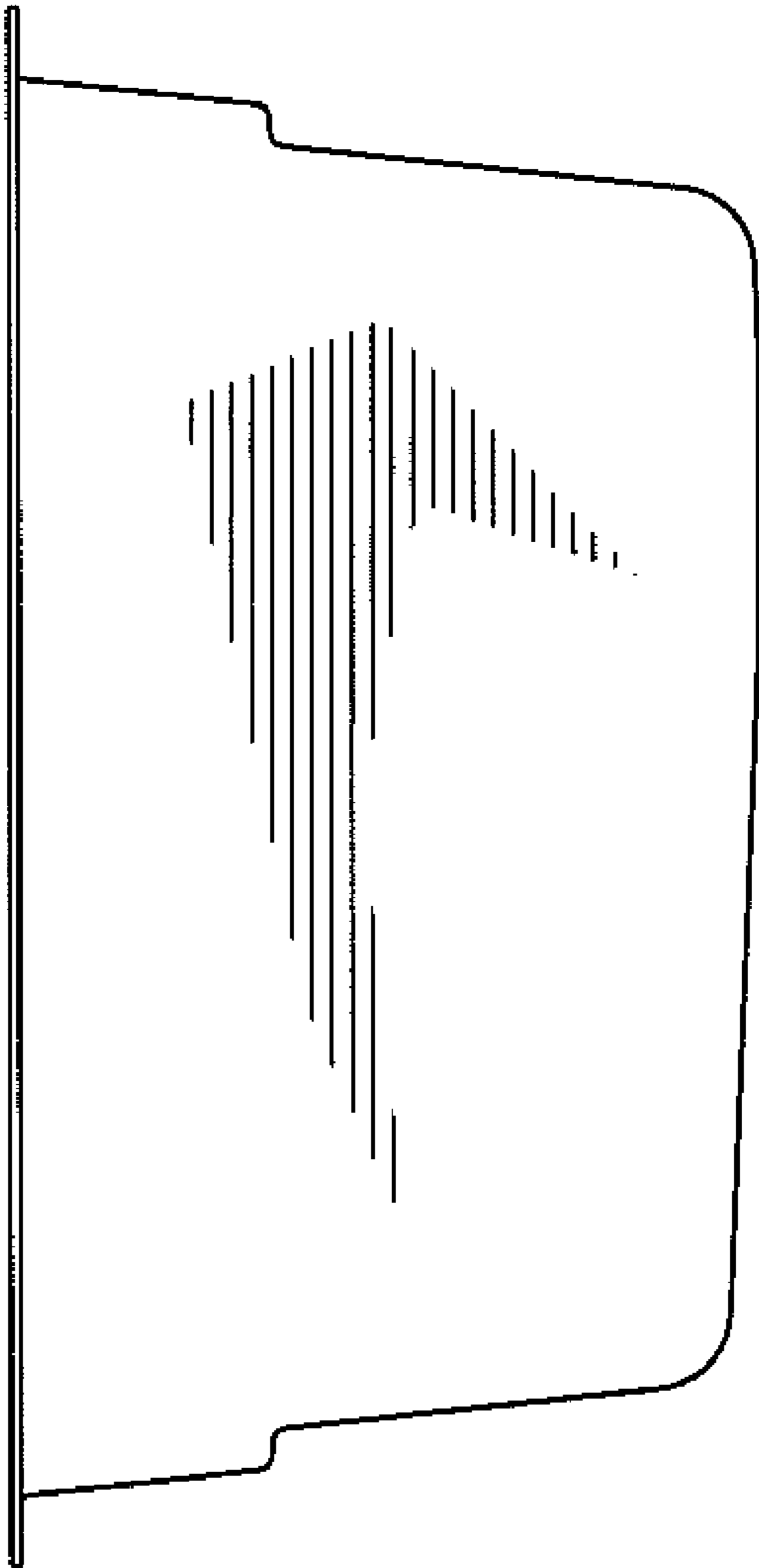


FIG. 6

FIG. 7

