



US00D587351S

(12) **United States Design Patent**
Eilmus et al.

(10) **Patent No.:** **US D587,351 S**
(45) **Date of Patent:** **** Feb. 24, 2009**

- (54) **SINK**
- (75) Inventors: **Niels J. Eilmus**, Sheboygan, WI (US);
Terrence K. Mahon, Whitefish Bay, WI (US)
- (73) Assignee: **Kohler Co.**, Kohler, WI (US)
- (**) Term: **14 Years**
- (21) Appl. No.: **29/304,501**
- (22) Filed: **Mar. 3, 2008**
- (51) **LOC (9) Cl.** **23-02**
- (52) **U.S. Cl.** **D23/286**
- (58) **Field of Classification Search** D23/271-274,
D23/284, 287, 291-293.1, 303, 308, 290;
4/630, 631, 637, 638, 661, 639-642, 619,
4/663-664

See application file for complete search history.

(56) **References Cited**

U.S. PATENT DOCUMENTS

- D498,291 S * 11/2004 Bayer D23/290
- D527,808 S * 9/2006 Wozniczka et al. D23/290
- D541,912 S * 5/2007 Ziemann D23/293.1

OTHER PUBLICATIONS

Specialty Stainless.com. "Undermount Stainless Steel Sink". Model No. UMS-15.151.5-10. HomePortfolio.com online catalog. Copyright 1997-2007 HomePortfolio.com Inc.

Kohler Co. "Poise 18"×18" single basin undercounter sink". Model No. K-3391, Kohler Co. online catalog Copyright 2007 Kohler Co.

* cited by examiner

Primary Examiner—Robert A Delehanty
(74) *Attorney, Agent, or Firm*—Quarles & Brady LLP

(57) **CLAIM**

The ornamental design for a sink, as shown and described.

DESCRIPTION

In a preferred embodiment, the nature of this product is as a sink plumbing fixture primarily useful for washing various objects.

FIG. 1 is a top, right, front perspective view of a sink according to our new design;

FIG. 2 is a top plan view thereof;

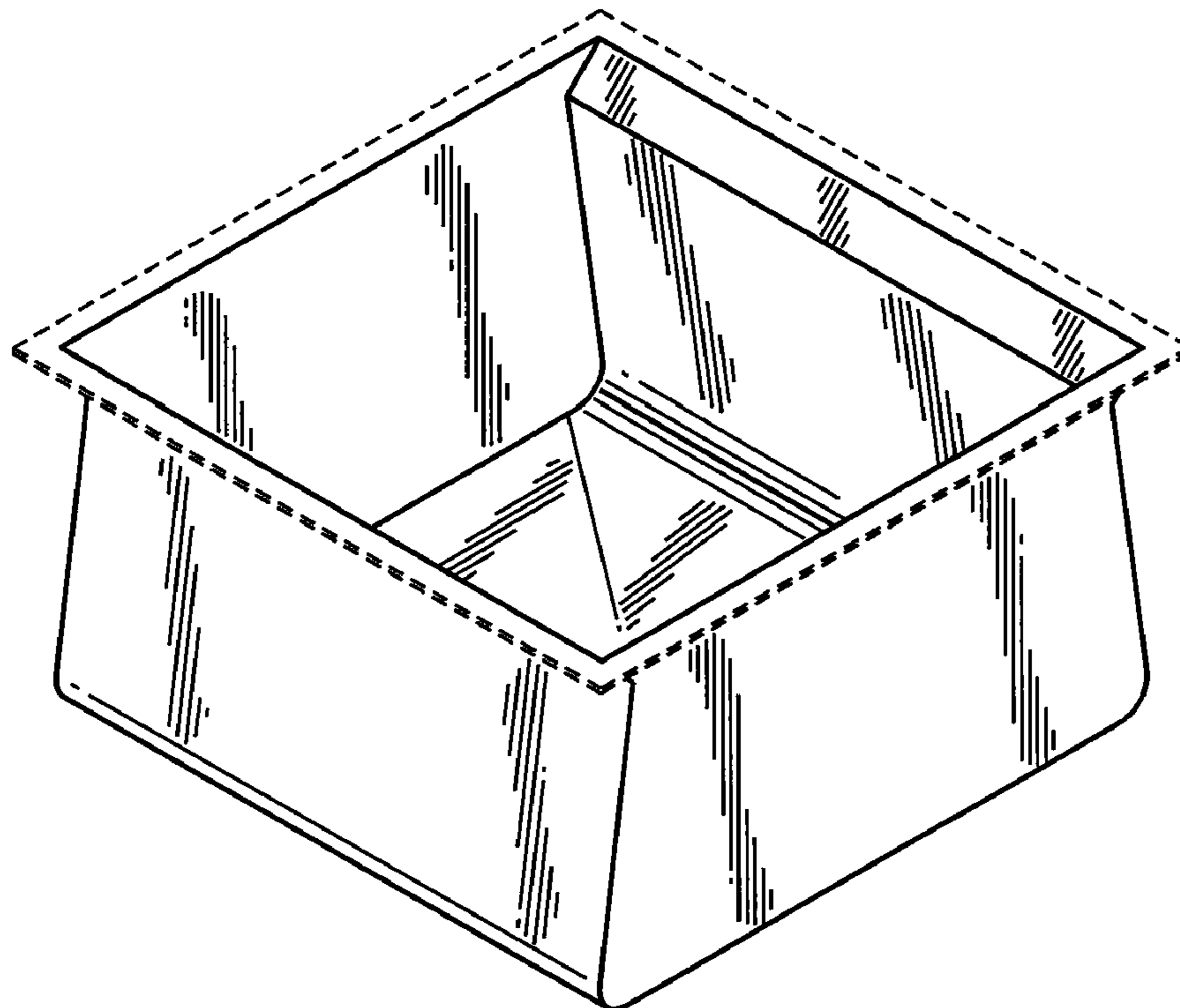
FIG. 3 is a front elevational view thereof, the rear elevational view thereof being a mirror image of the front shown;

FIG. 4 is a right side elevational view thereof, the left side elevational view thereof being a mirror image of the right side shown; and,

FIG. 5 is a bottom plan view thereof.

The broken line representations in the figures are for the purpose of illustration only, and form no part of the claimed design.

1 Claim, 2 Drawing Sheets



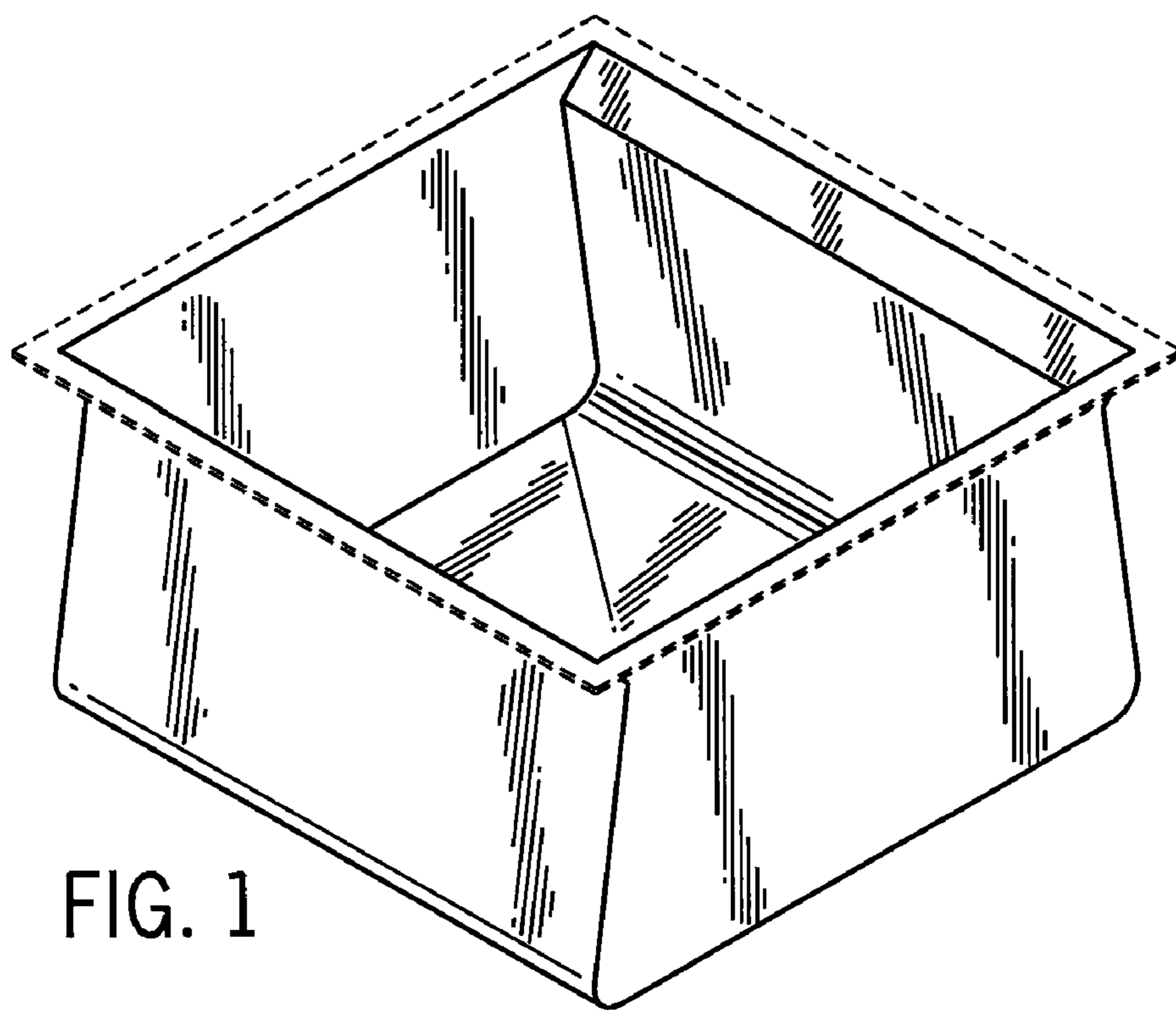


FIG. 1

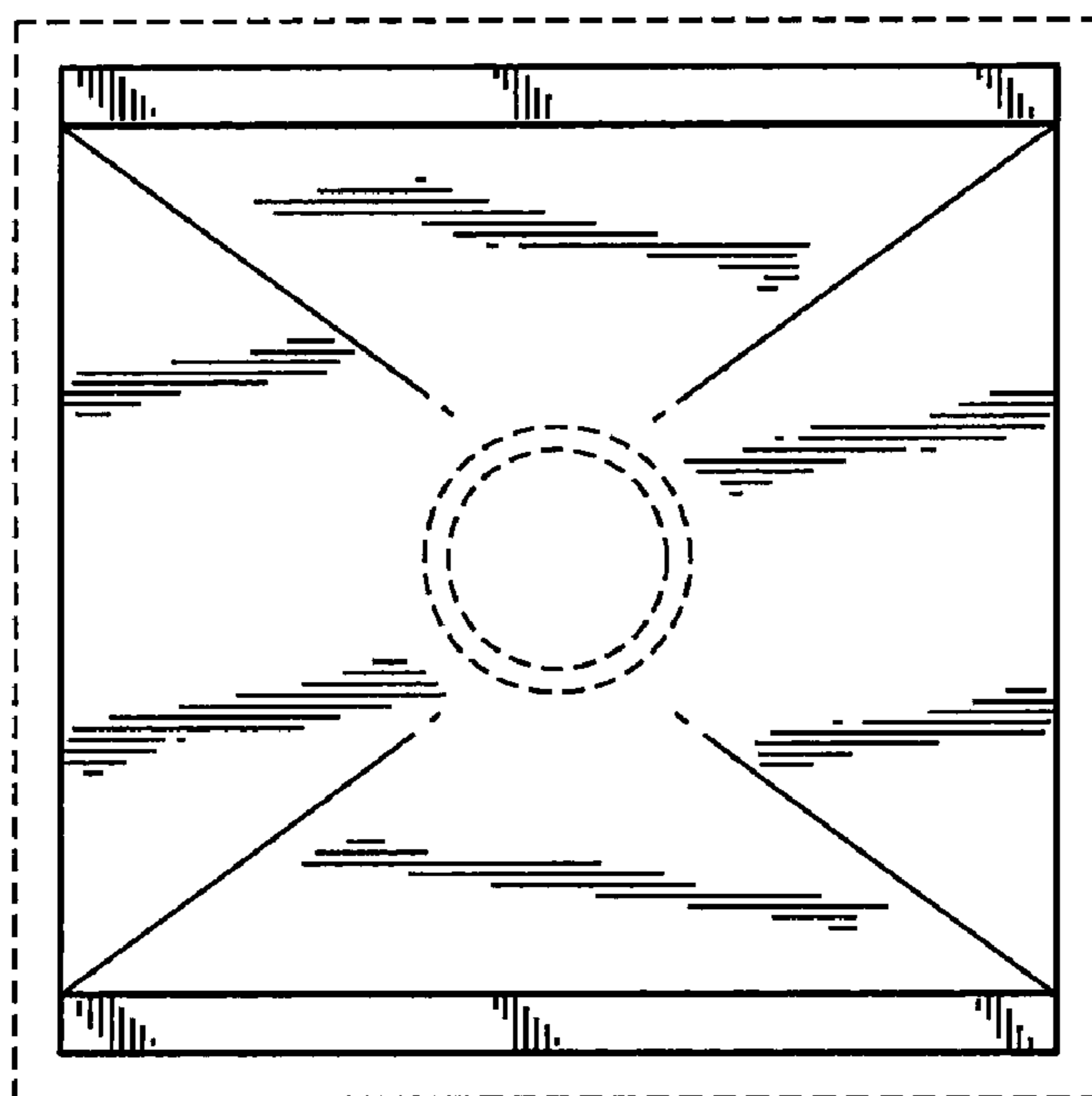


FIG. 2

FIG. 3

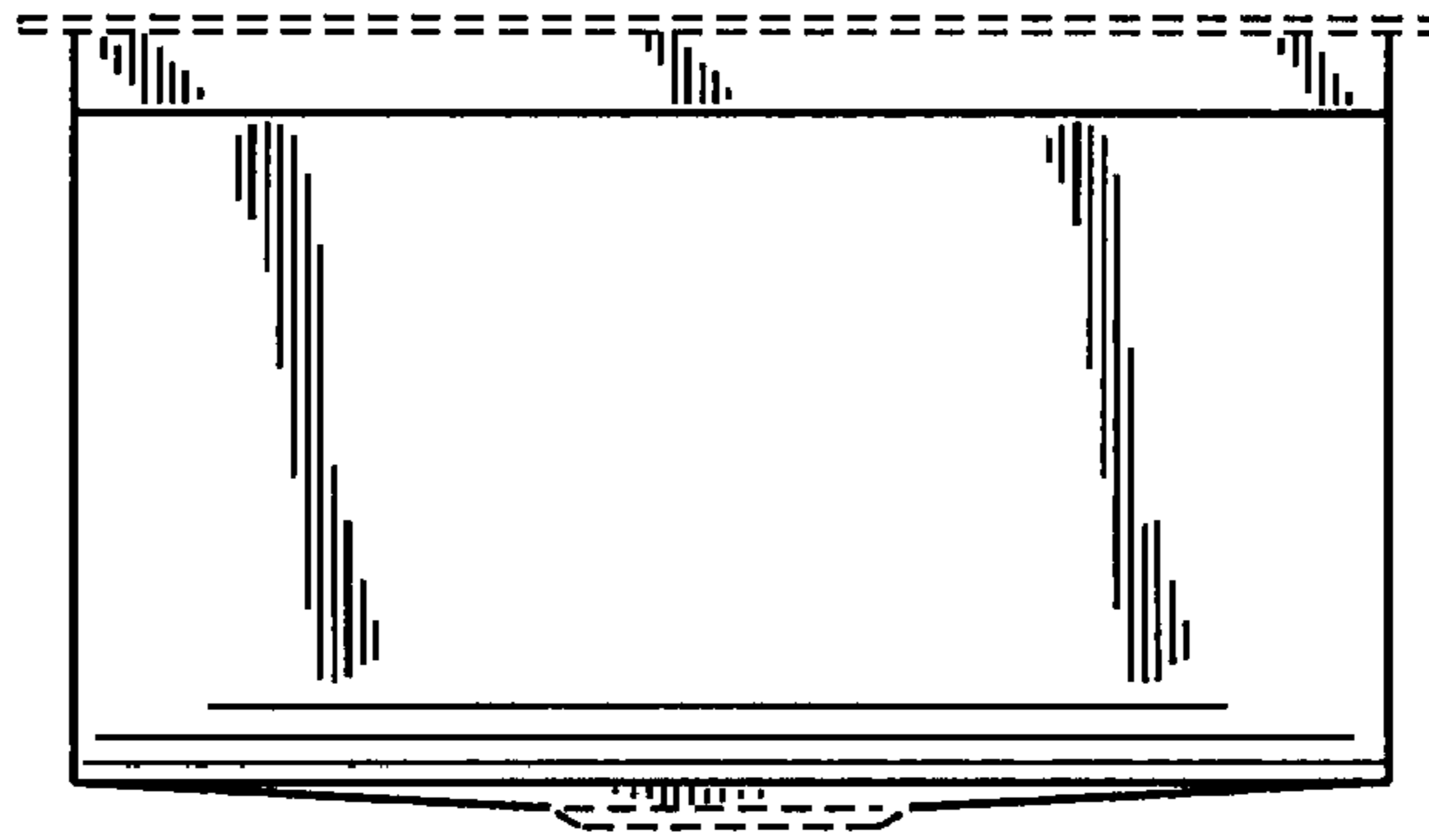


FIG. 4

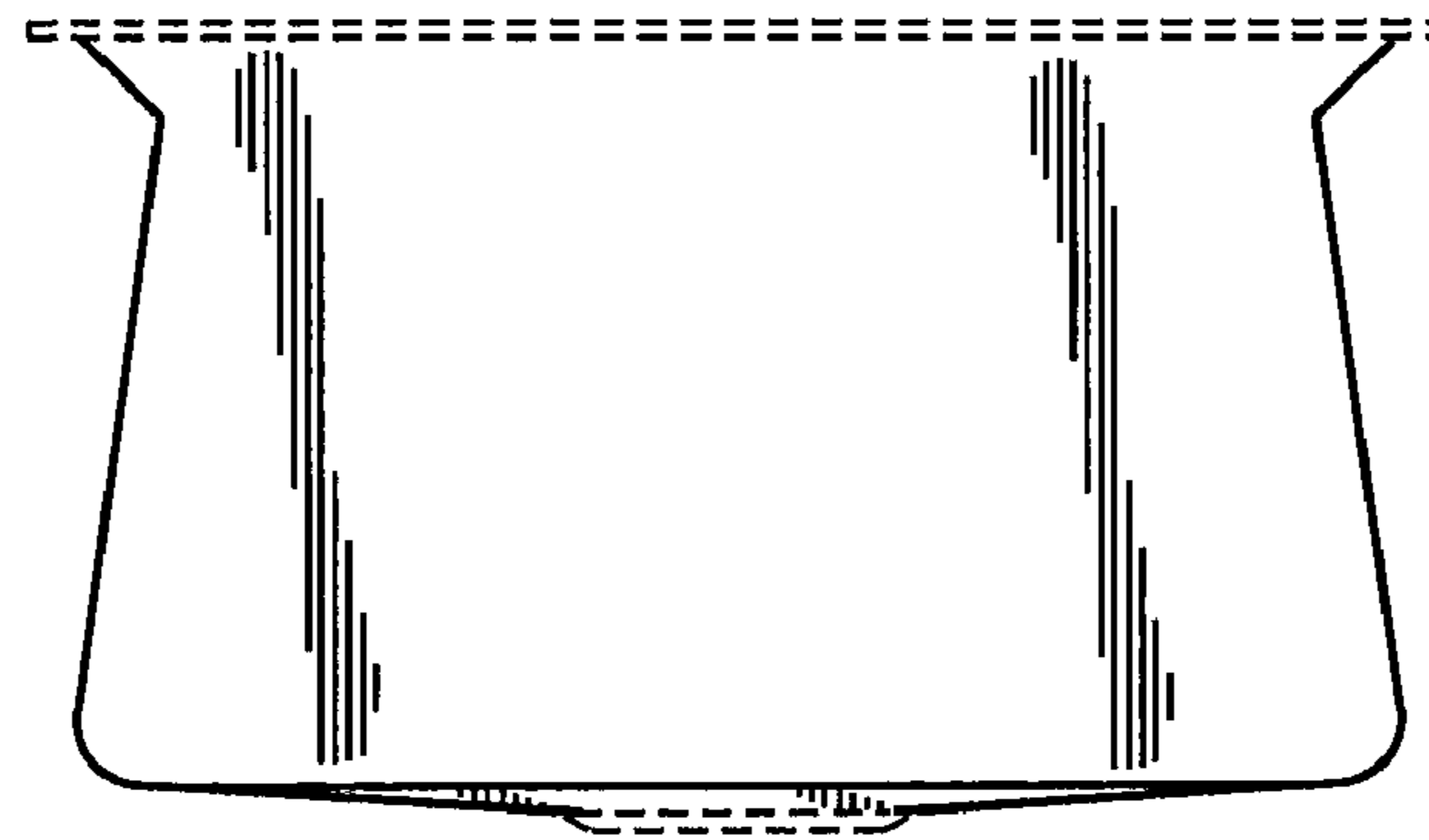


FIG. 5

