



US00D587350S

(12) **United States Design Patent**  
**Ziemann et al.**

(10) **Patent No.:** **US D587,350 S**

(45) **Date of Patent:** **\*\* Feb. 24, 2009**

(54) **SINK**

(75) Inventors: **Brigitte Ziemann**, Eppingen (DE);  
**Oliver Kuch**, Wilhelmshöhe (DE)

(73) Assignee: **BLANCO GmbH + Co KG**,  
Oberderdingen (DE)

(\*\*) Term: **14 Years**

(21) Appl. No.: **29/284,776**

(22) Filed: **Sep. 14, 2007**

(51) **LOC (9) Cl.** ..... **23-02**

(52) **U.S. Cl.** ..... **D23/286**

(58) **Field of Classification Search** ..... D23/284,  
D23/287, 291-293.1, 303, 308, 286, 272-273,  
D23/290; 4/630, 631, 637, 638, 661, 663-664;  
D6/397, 402

See application file for complete search history.

(56) **References Cited**

**U.S. PATENT DOCUMENTS**

D81,217 S \* 5/1930 Youngblood ..... D23/274  
1,763,209 A \* 6/1930 Ayers et al. .... 4/663  
D141,619 S \* 6/1945 Stanitz ..... D23/286  
D149,527 S \* 5/1948 Thomas ..... D6/397  
D247,909 S \* 5/1978 Noble et al. .... D23/290

D446,575 S \* 8/2001 Ferrer Beltran ..... D23/293.1  
D463,538 S \* 9/2002 Chipperfield ..... D23/284  
D507,334 S \* 7/2005 Ferrer Beltran ..... D23/293.1  
D539,879 S \* 4/2007 Stein ..... D23/293.1  
D544,071 S \* 6/2007 Teuscher et al. .... D23/234  
D544,075 S \* 6/2007 Mayer ..... D23/286  
D545,415 S \* 6/2007 Tani et al. .... D23/293.1  
D560,783 S \* 1/2008 Marshall et al. .... D23/293.1

\* cited by examiner

*Primary Examiner*—Robert A Delahanty

(74) *Attorney, Agent, or Firm*—Hanley, Flight &  
Zimmerman, LLC

(57) **CLAIM**

The ornamental design for a “sink,” as shown and described.

**DESCRIPTION**

FIG. 1 is a perspective view of the sink;

FIG. 2 is a top plan view of the sink;

FIG. 3 is a bottom view of the sink;

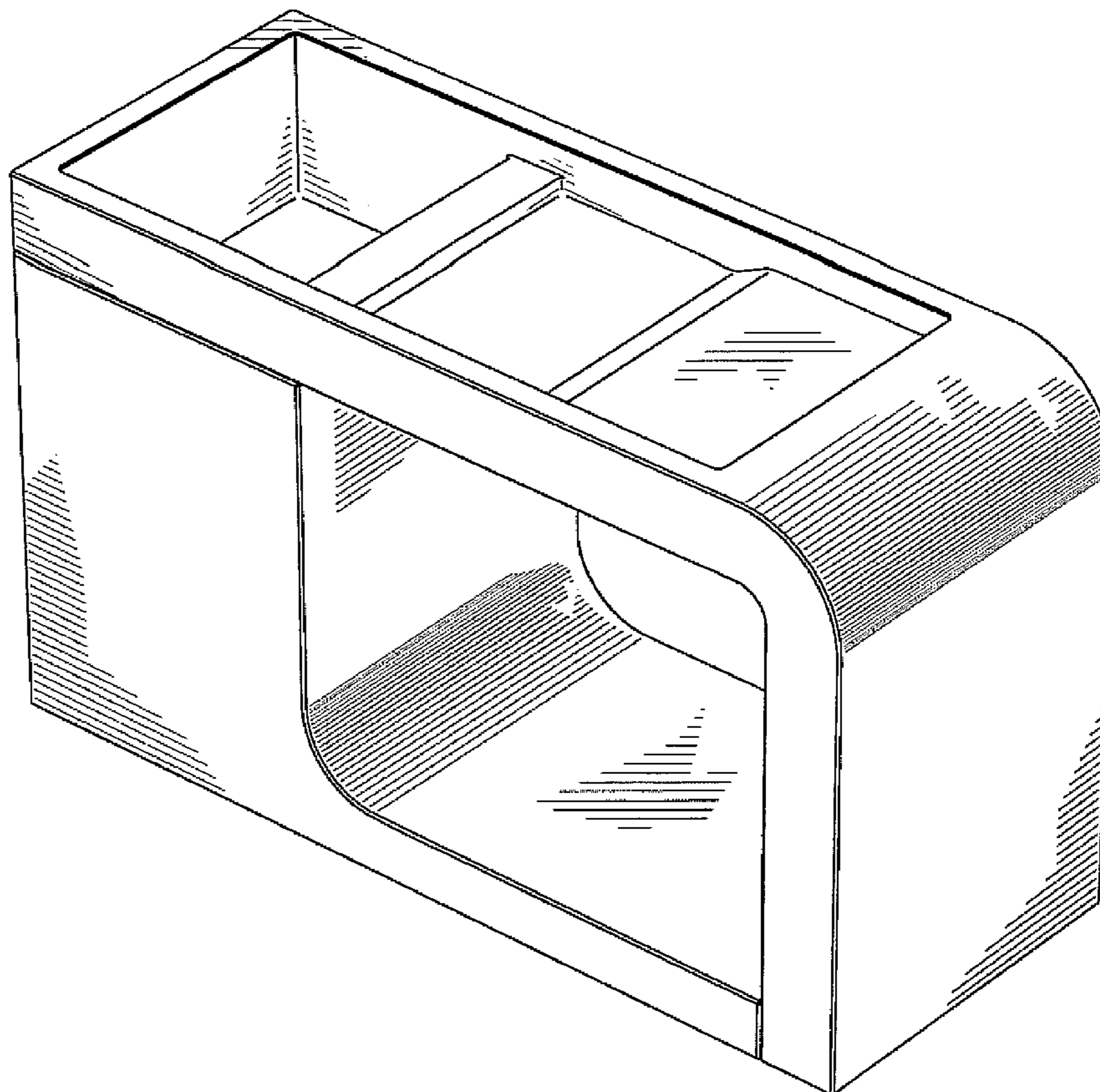
FIG. 4 is a front view of the sink;

FIG. 5 is a rear view of the sink;

FIG. 6 is a right side view of the sink; and,

FIG. 7 is a left side view of the sink.

**1 Claim, 7 Drawing Sheets**



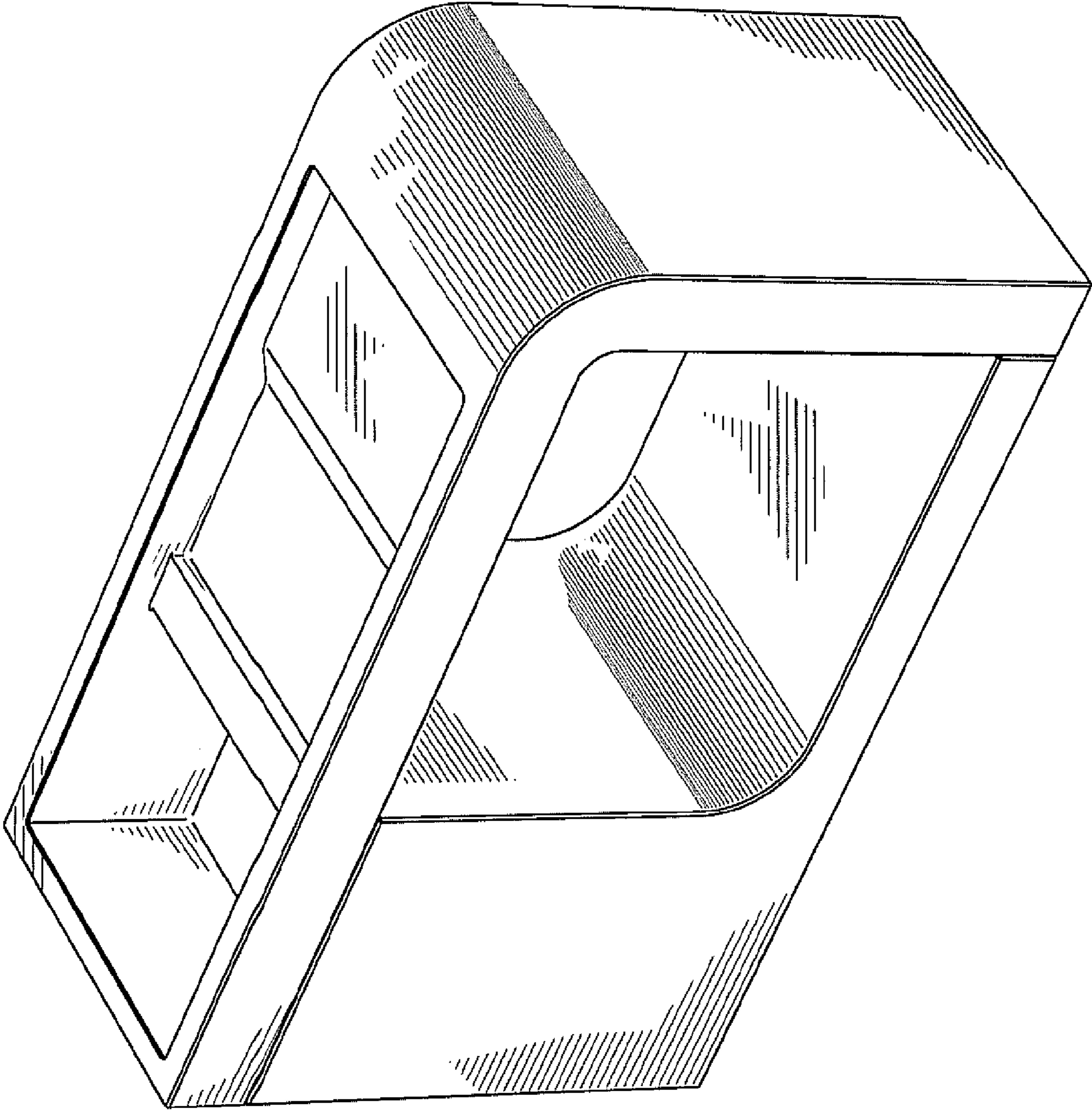


FIG. 1

FIG. 2

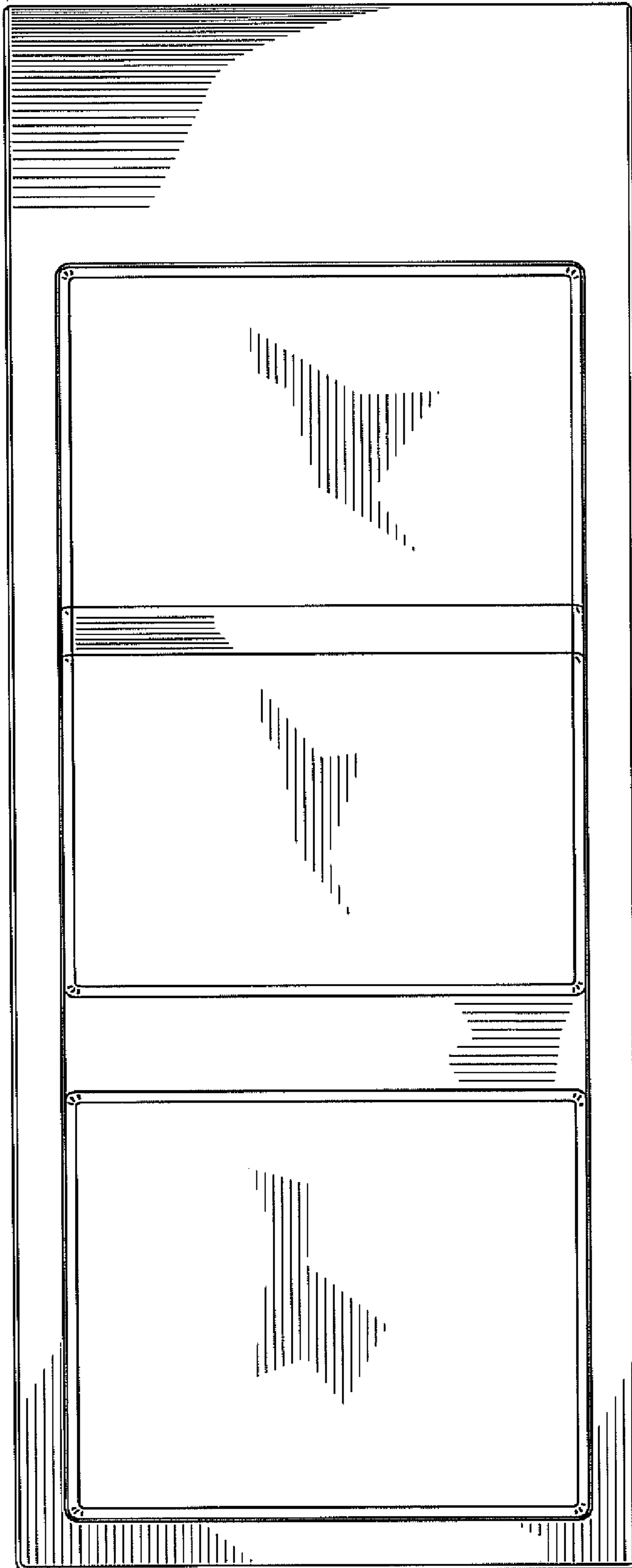


FIG. 3

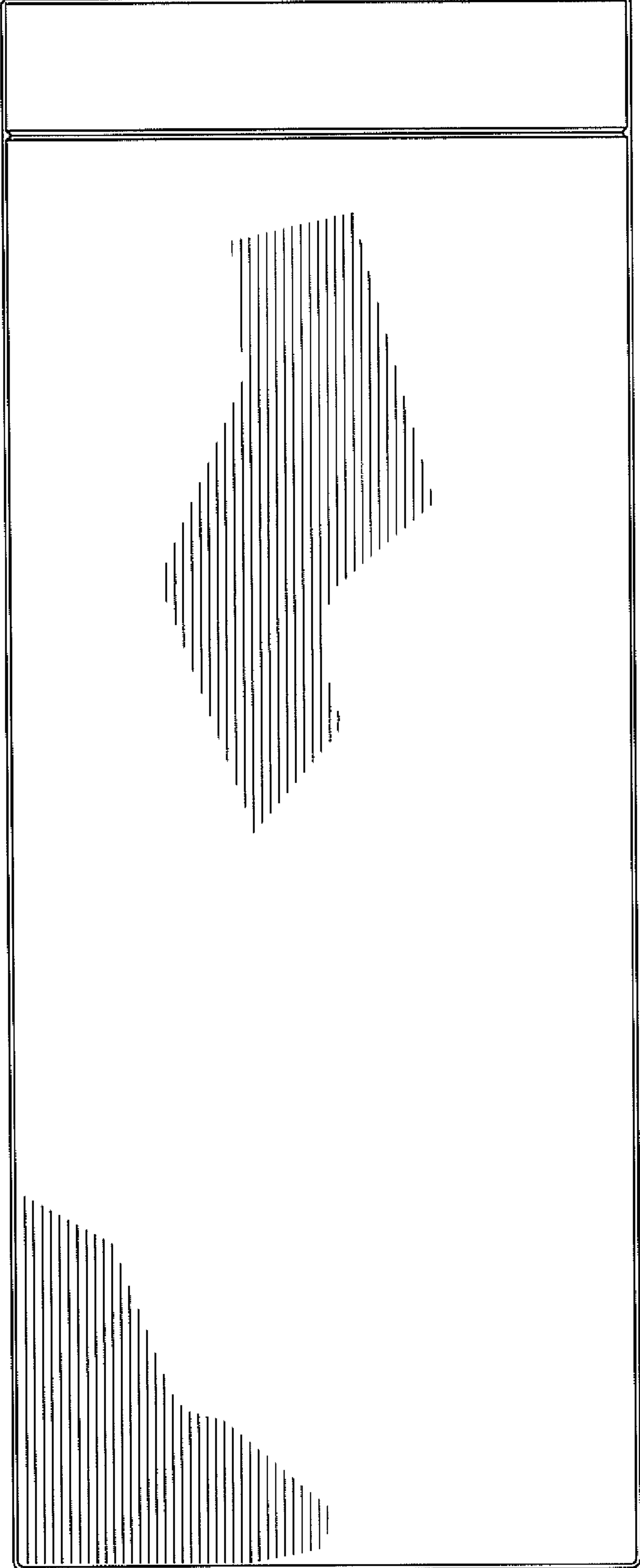


FIG. 4

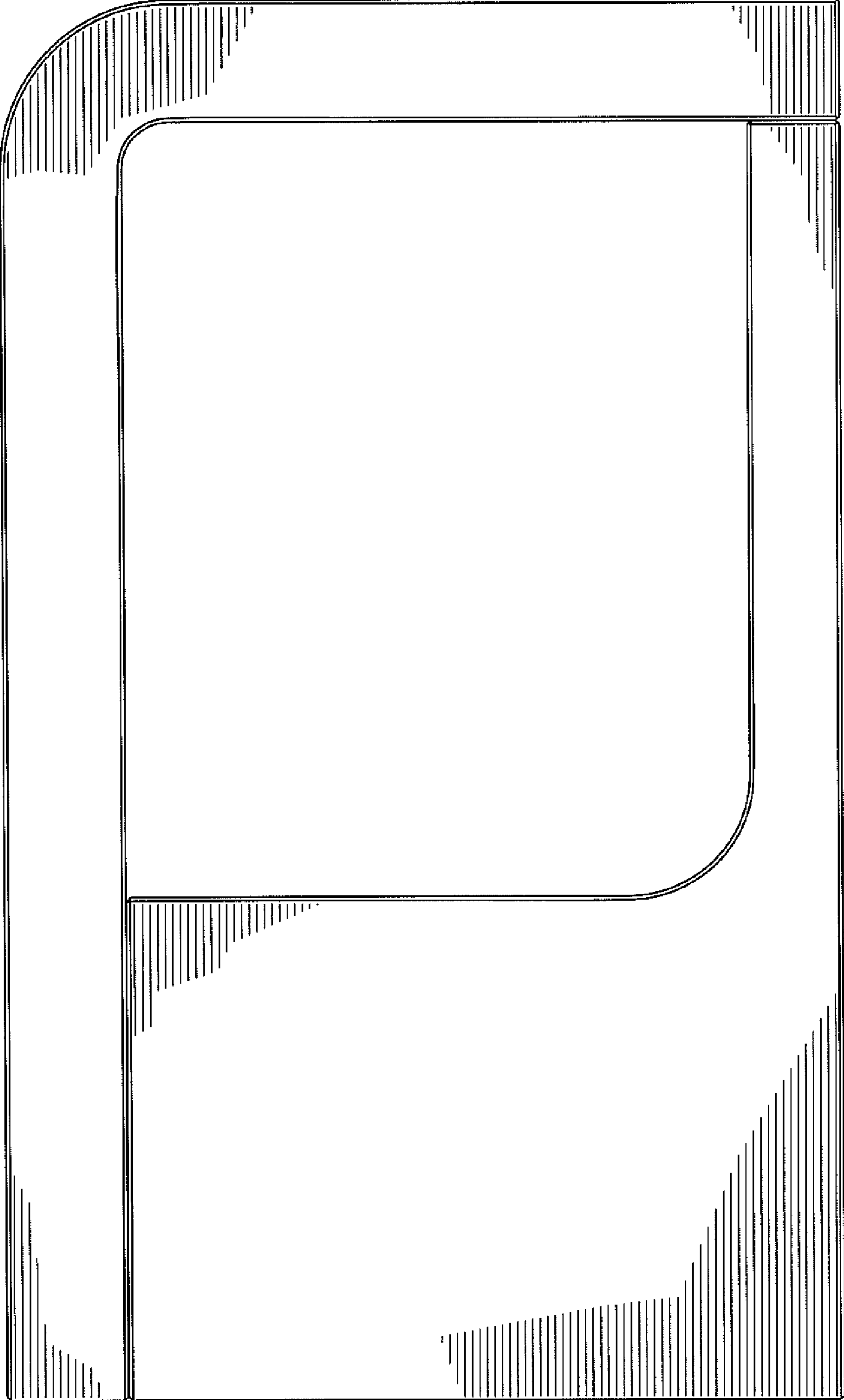
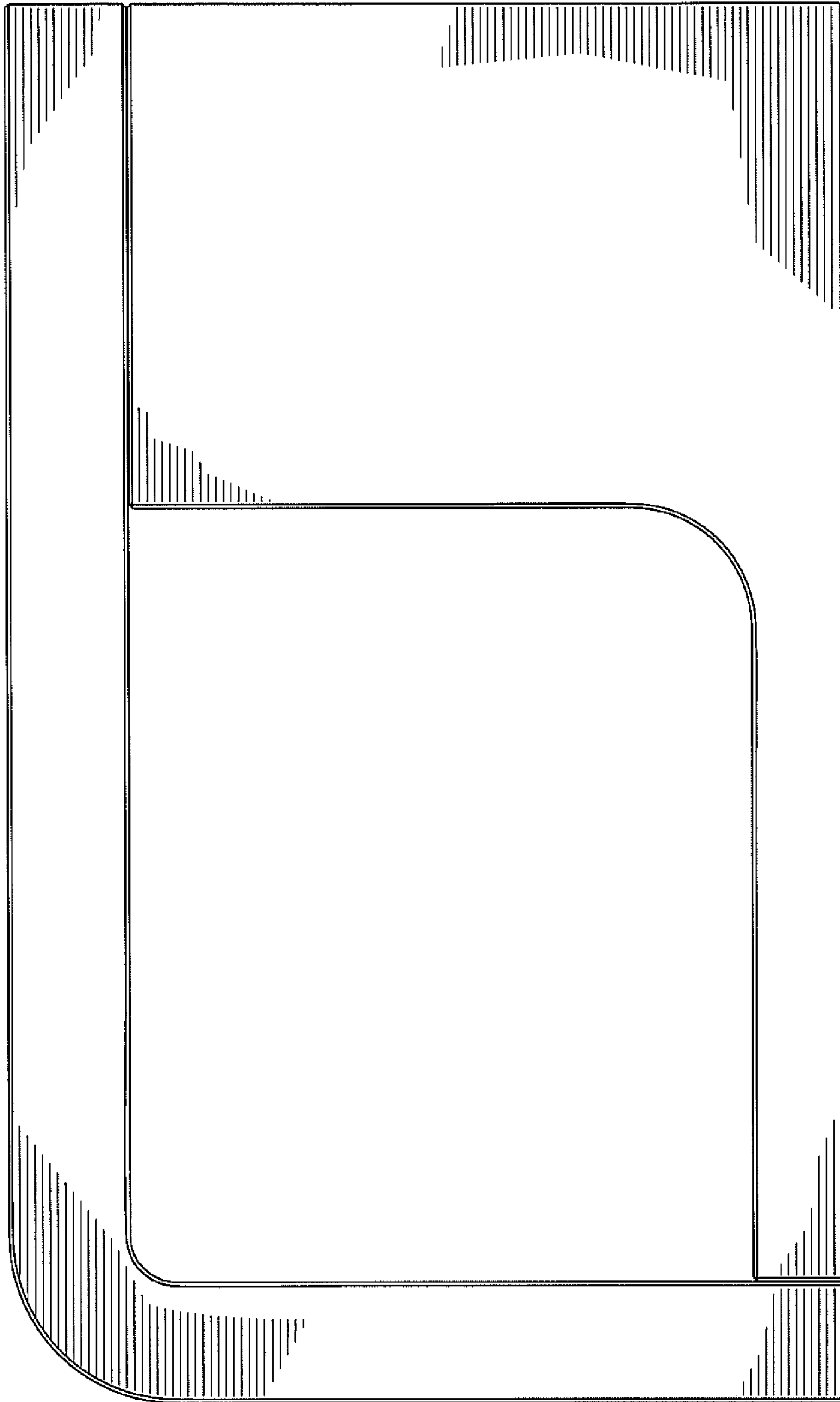


FIG. 5



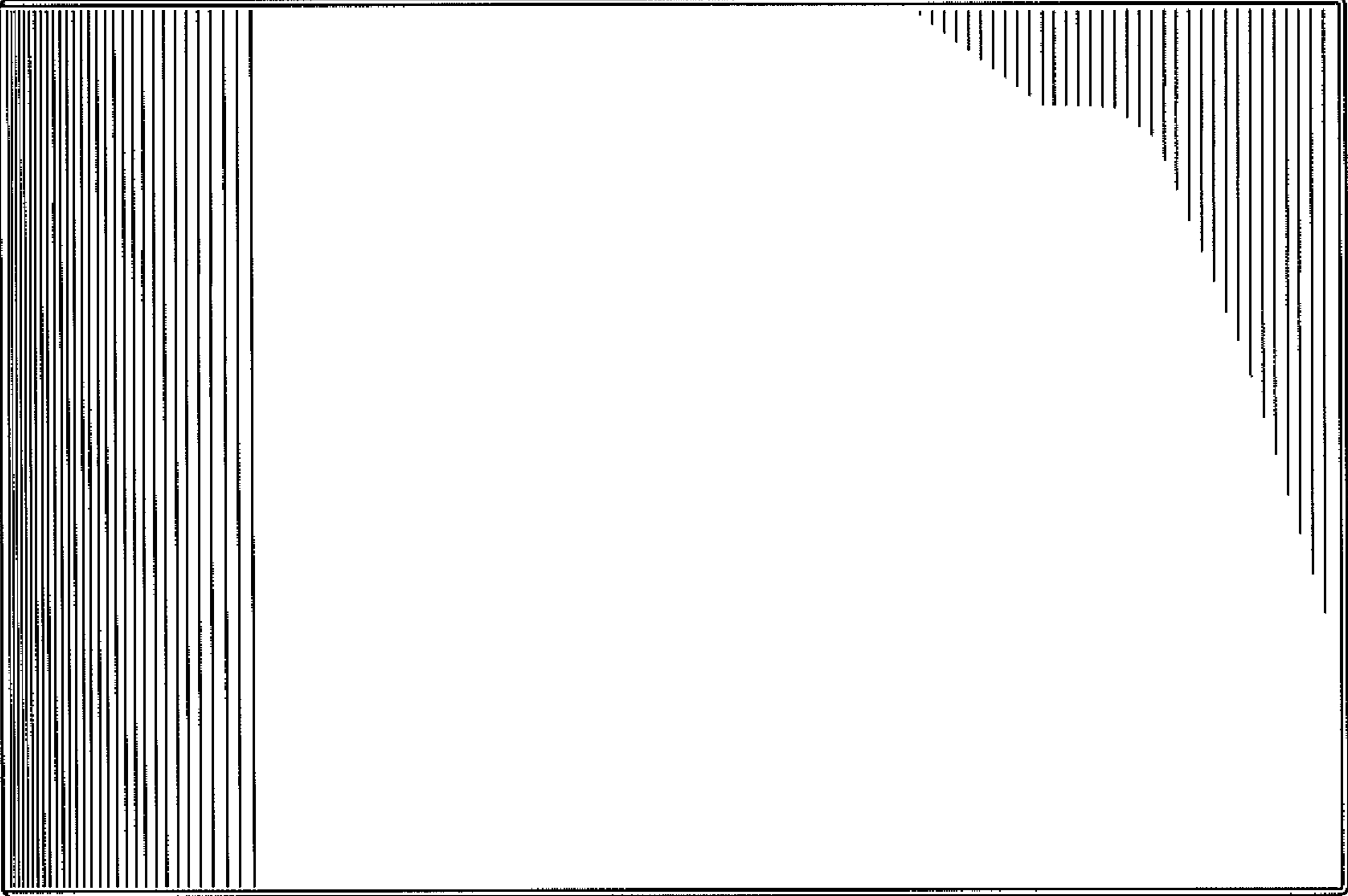


FIG. 6

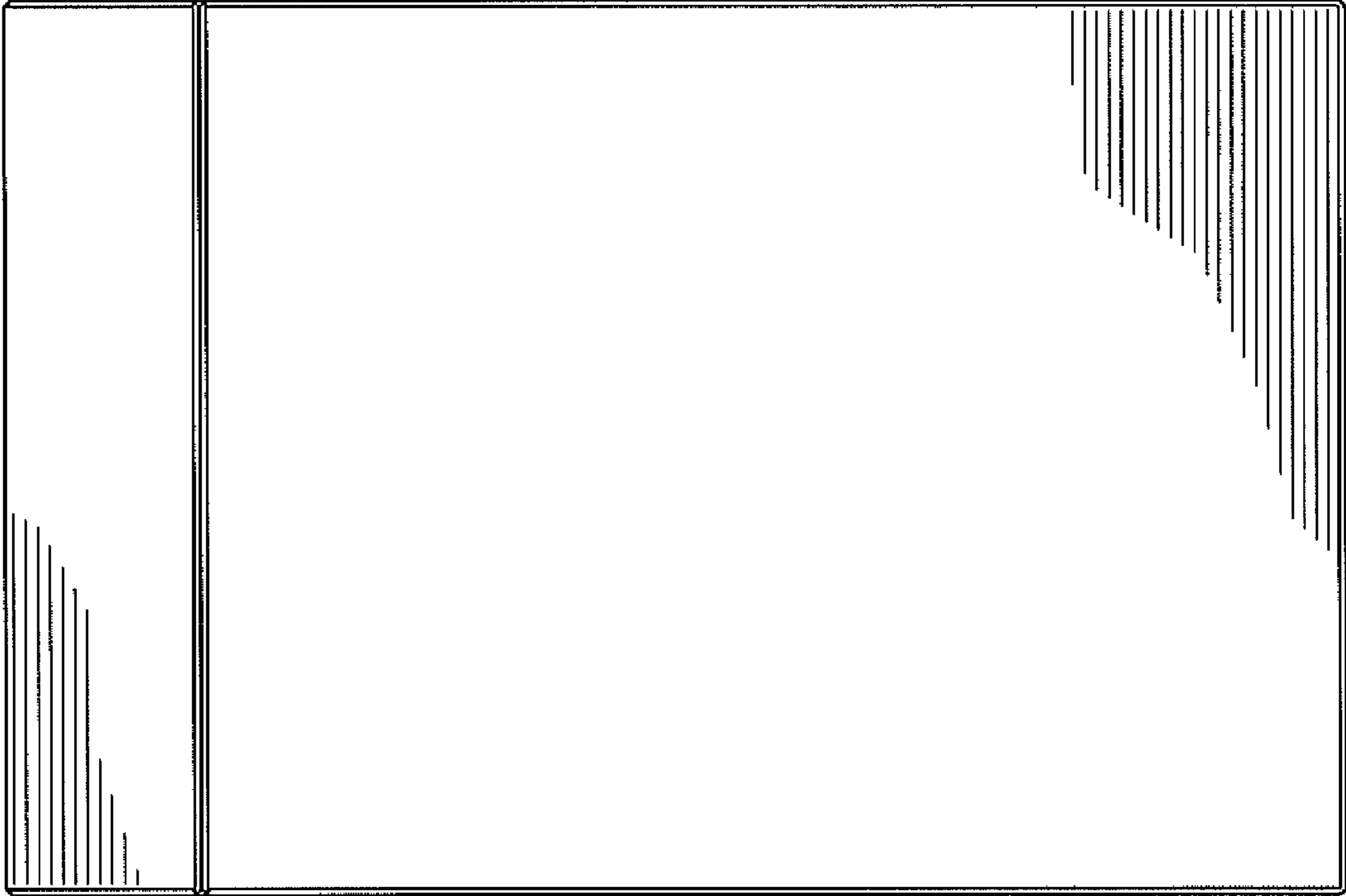


FIG. 7