



US00D587349S

(12) **United States Design Patent**  
**Madara et al.**

(10) **Patent No.:** **US D587,349 S**  
(45) **Date of Patent:** **\*\* Feb. 24, 2009**

(54) **PIPE COUPLING**

(75) Inventors: **Scott D. Madara**, Nazareth, PA (US);  
**John W. Pierce**, Nazareth, PA (US);  
**Douglas R. Dole**, Whitehouse Station,  
NJ (US); **William A. Nagle**, Laureldale,  
PA (US)

(73) Assignee: **Victaulic Company**, Easton, PA (US)

(\*\*) Term: **14 Years**

(21) Appl. No.: **29/323,299**

(22) Filed: **Aug. 22, 2008**

**Related U.S. Application Data**

(62) Division of application No. 29/278,190, filed on Mar. 21, 2007.

(51) **LOC (9) Cl.** ..... **23-01**

(52) **U.S. Cl.** ..... **D23/265**

(58) **Field of Classification Search** ..... D23/213,  
D23/249, 257, 259, 260-269; 239/428.5;  
261/DIG. 22; D8/396; 285/1, 112, 179,  
285/340, 367, 373, 404, 53, 915; 4/675-678;  
403/291, 300; 411/5, 10; 137/801

See application file for complete search history.

(56) **References Cited**

**U.S. PATENT DOCUMENTS**

1,027,694 A \* 5/1912 Corbett ..... 285/276  
4,738,276 A \* 4/1988 Adams ..... 137/343  
5,620,314 A \* 4/1997 Worton ..... 417/550

D463,537 S \* 9/2002 Koza et al. .... D23/262  
6,547,159 B1 \* 4/2003 Westby ..... 239/204  
6,991,268 B2 \* 1/2006 Spears ..... 285/334.4  
2002/0050718 A1 \* 5/2002 Pyron ..... 285/354  
2004/0000337 A1 \* 1/2004 Cooper ..... 137/377  
2008/0017589 A1 \* 1/2008 Taylor ..... 210/757  
2008/0030026 A1 \* 2/2008 Cho ..... 285/363

\* cited by examiner

*Primary Examiner*—Louis S Zarfaz

*Assistant Examiner*—Michael A Pratt

(74) *Attorney, Agent, or Firm*—Ballard Spahr Andrews and  
Ingersoll, LLP

(57) **CLAIM**

We claim the ornamental design for a pipe coupling, as shown  
and described.

**DESCRIPTION**

FIG. 1 is an isometric view of our design for a pipe coupling;

FIG. 2 is a front view of the design for the pipe coupling  
shown in FIG. 1, the rear view being identical;

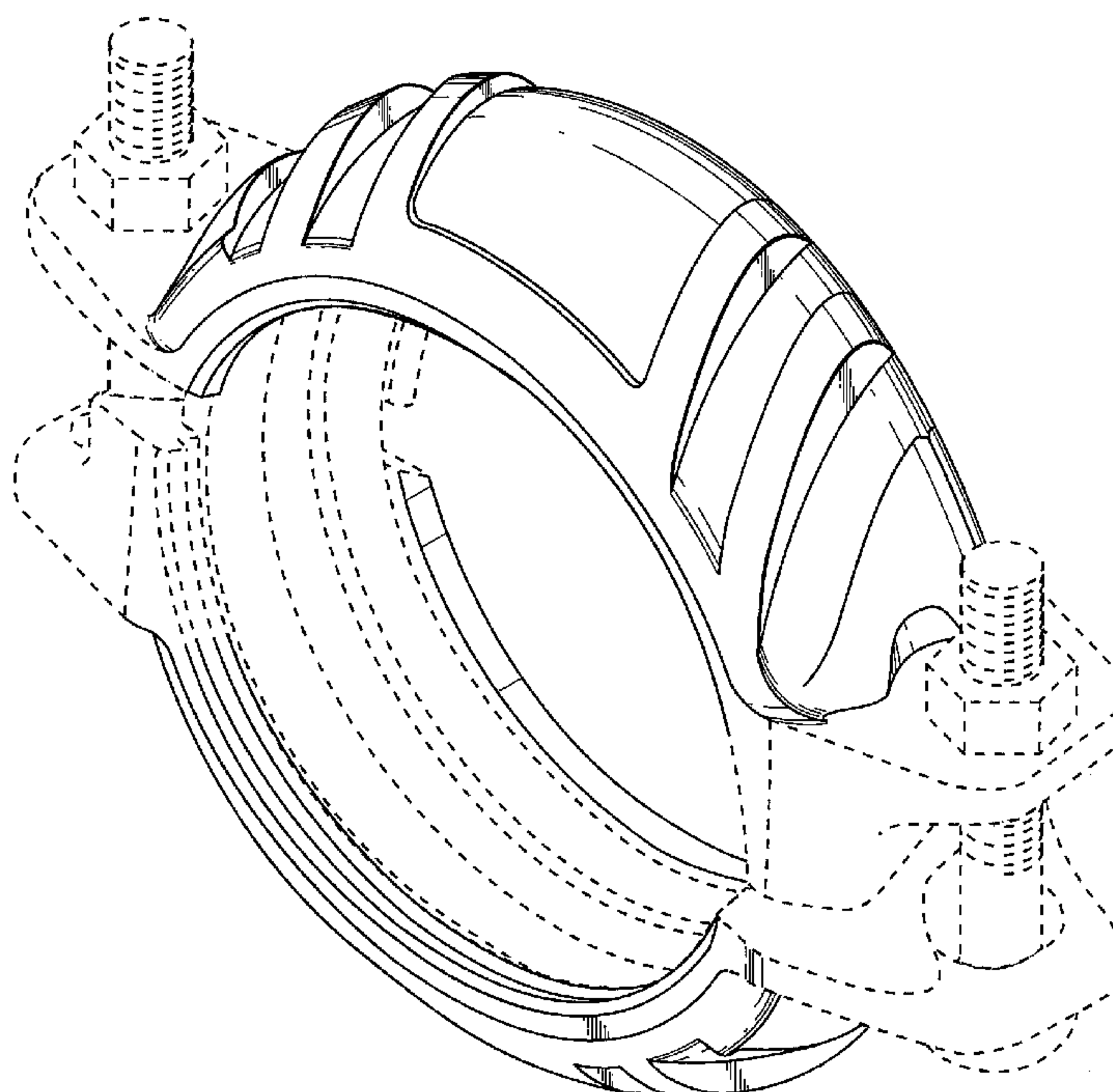
FIG. 3 is a top view of the design for the pipe coupling shown  
in FIG. 1;

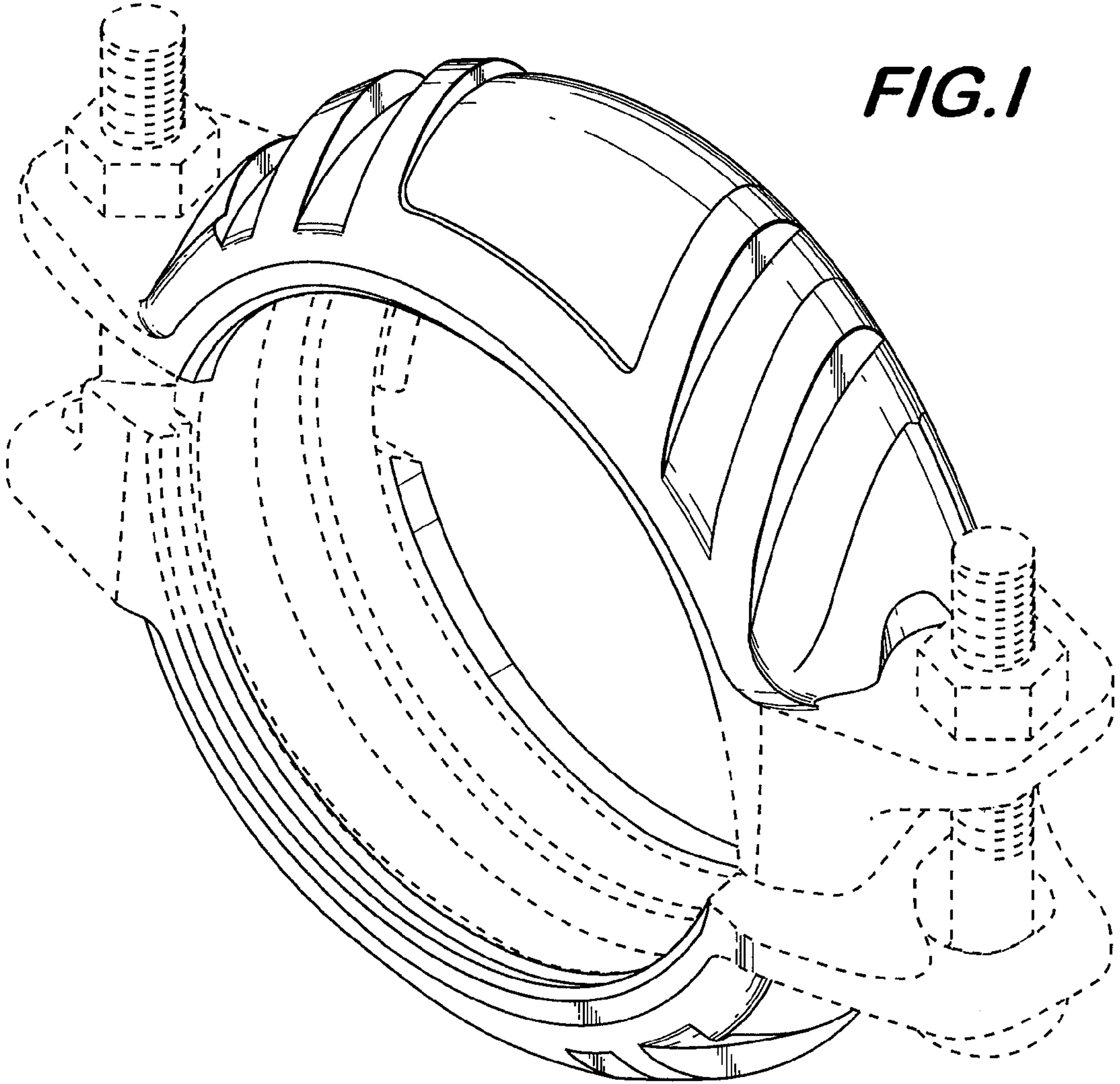
FIG. 4 is a bottom view of the design for the pipe coupling  
shown in FIG. 1; and,

FIG. 5 is a left side view of the design for the pipe coupling  
shown in FIG. 1, the right side view being identical.

The broken lines in FIGS. 1-5 are in no way intended to form  
part of the claimed design and are for illustrative purposes  
only.

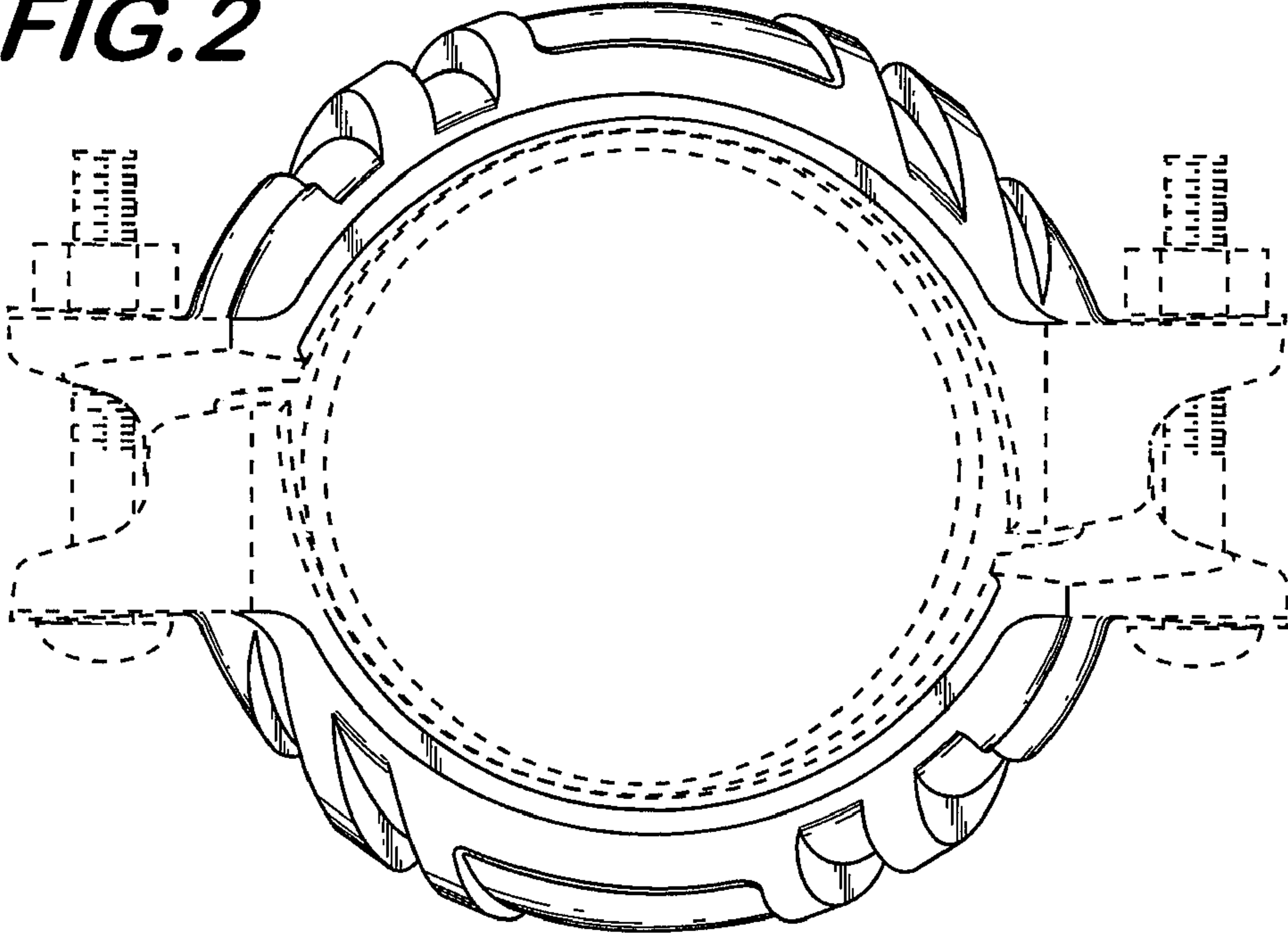
**1 Claim, 3 Drawing Sheets**



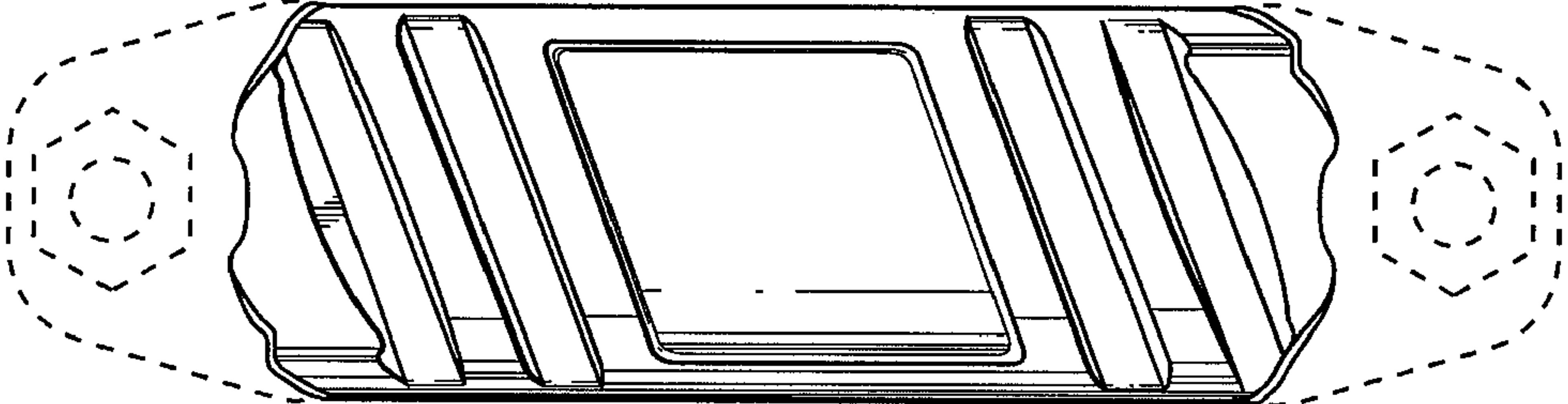


**FIG. 1**

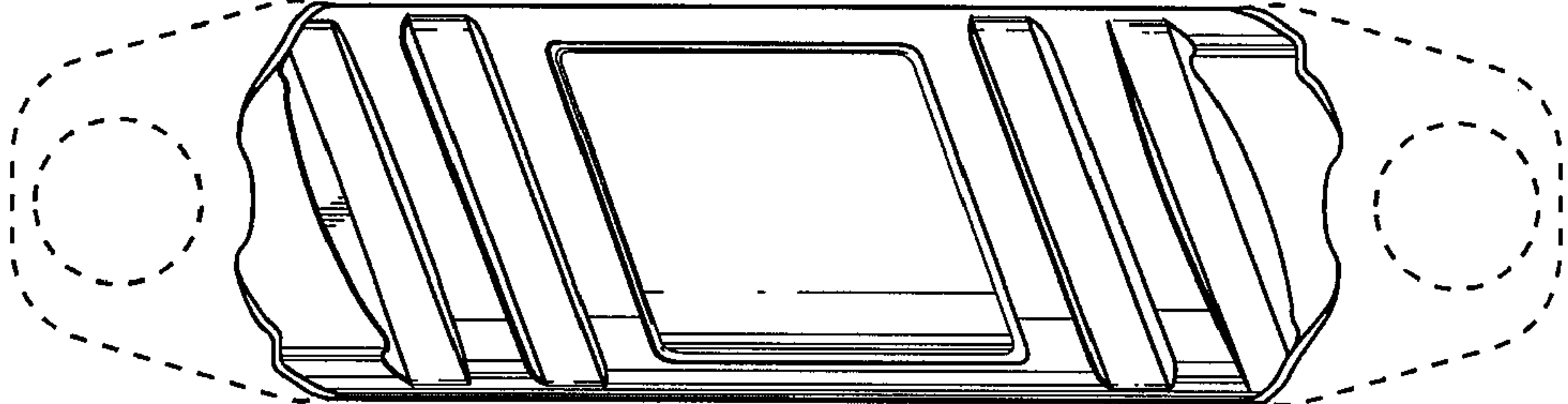
**FIG. 2**

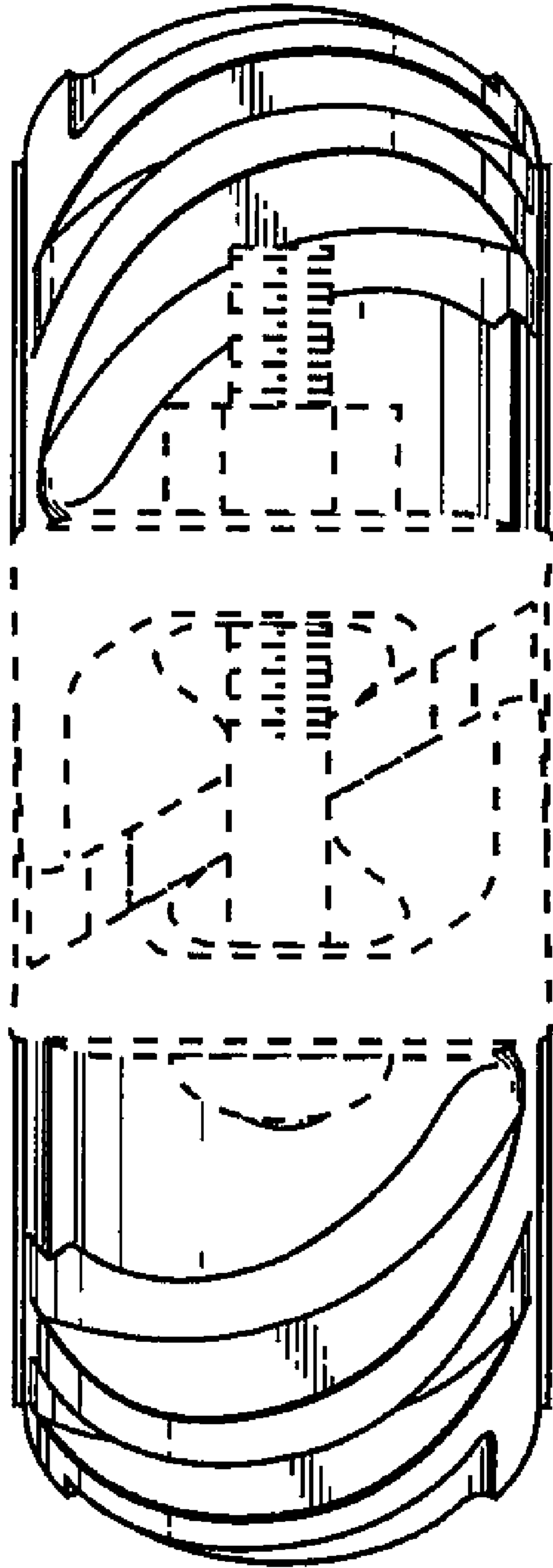


**FIG. 3**



**FIG. 4**





***FIG. 5***