



US00D587345S

(12) **United States Design Patent**  
**Montgomery et al.**

(10) **Patent No.:** **US D587,345 S**

(45) **Date of Patent:** **\*\* Feb. 24, 2009**

(54) **PLUMBING FITTING**

(75) Inventors: **Howard M. Montgomery**, Sheboygan, WI (US); **Coralee S. Sandee**, Sheboygan, WI (US); **Michael Furseth**, Sheboygan Falls, WI (US); **Herbert V. Kohler, Jr.**, Kohler, WI (US)

(73) Assignee: **Kohler Co.**, Kohler, WI (US)

(\*\*) Term: **14 Years**

(21) Appl. No.: **29/280,669**

(22) Filed: **Jun. 4, 2007**

**Related U.S. Application Data**

(63) Continuation-in-part of application No. 29/279,419, filed on Apr. 30, 2007, now Pat. No. Des. 579,523.

(51) **LOC (9) Cl.** ..... **23-01**

(52) **U.S. Cl.** ..... **D23/254**

(58) **Field of Classification Search** ..... D23/238,  
D23/241-242, 243, 245, 252, 255, 249, 250,  
D23/254; 4/675-678; 137/615, 801; D8/307-308;  
16/110.1

See application file for complete search history.

(56) **References Cited**

**U.S. PATENT DOCUMENTS**

D433,737 S *	11/2000	Milrud et al.	.....	D23/252
D461,878 S *	8/2002	Green et al.	.....	D23/254
D477,058 S *	7/2003	Panis et al.	.....	D23/254
D494,661 S *	8/2004	Zieger et al.	.....	D23/254
D499,171 S *	11/2004	Citterio	.....	D23/245

**FOREIGN PATENT DOCUMENTS**

EP 0 921 238 A1 6/1999

**OTHER PUBLICATIONS**

U.S Appl. No. 29/279,419, Montgomery, et al.

Kohler Co. "Forte Rite-Temp Pressure-Balance Bath & Shower". Model No. K-T10276-4A-CP/K-304-K-NA. Kohler Co. catalog The Bold Look of Kohler. Copyright 2004.

Kallista. "Michael S. Smith Loft Basin Set with Lever Handles", Model No. P23000-LV. Kallista online catalog. Copyright 2007 Kallista.

The New Horizon Collection. "Twin Handle Kitchen Faucets". Model No. 081-732.

Kohler Co. "Memoirs Centerset Lavatory Faucet with Stately design". Model No. K-452-4V. Kohler Co. online catalog. Copyright 2007 Kohler Co.

Kohler Co. "Bravura Series". Kohler catalog, p. 3-7. Copyright 1998 Kohler Co.

Kohler Co. "Revival Widespread Lavatory Faucet with Traditional Lever Handles". Model No. K-16102-4A. Kohler Co. online catalog. Copyright 2007 Kohler Co.

\* cited by examiner

*Primary Examiner*—Robin V Webster

(74) *Attorney, Agent, or Firm*—Quarles & Brady LLP

(57) **CLAIM**

The ornamental design for a plumbing fitting, as shown and described.

**DESCRIPTION**

In a preferred embodiment, the nature of this product is a plumbing fitting in the form of a handle and valve body bonnet for a faucet or a shower control with an escutcheon.

FIG. 1 is a left, top, front perspective view of a plumbing fitting according to another embodiment of our new design;

FIG. 2 is a front elevational view thereof;

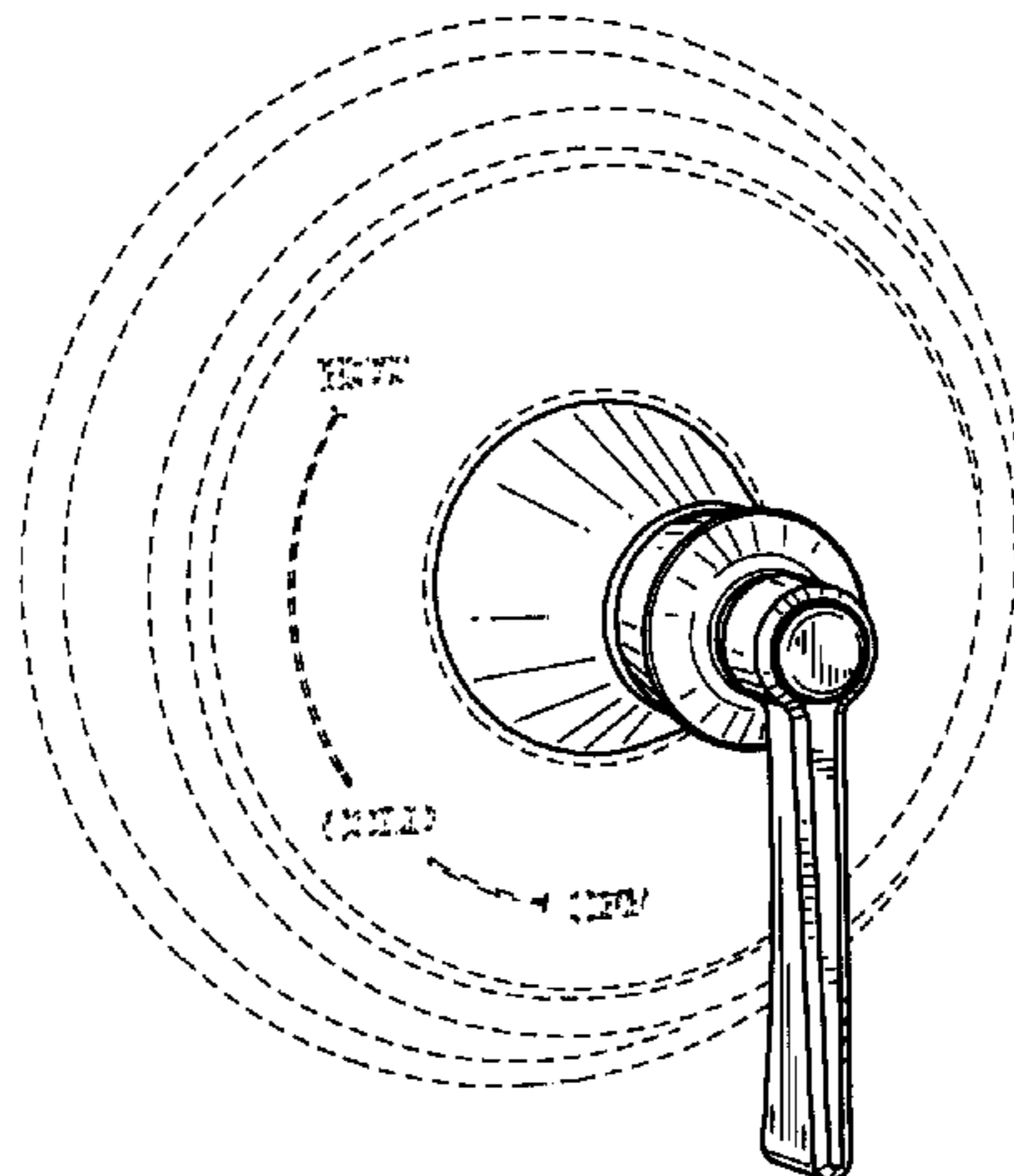
FIG. 3 is a left side elevational view thereof, the right side elevational view thereof being a mirror image of the left side shown;

FIG. 4 is a top plan view thereof; and,

FIG. 5 is a bottom plan view thereof.

The broken line representations in the figures are for the purpose of illustration only, and form no part of the claimed design.

**1 Claim, 3 Drawing Sheets**



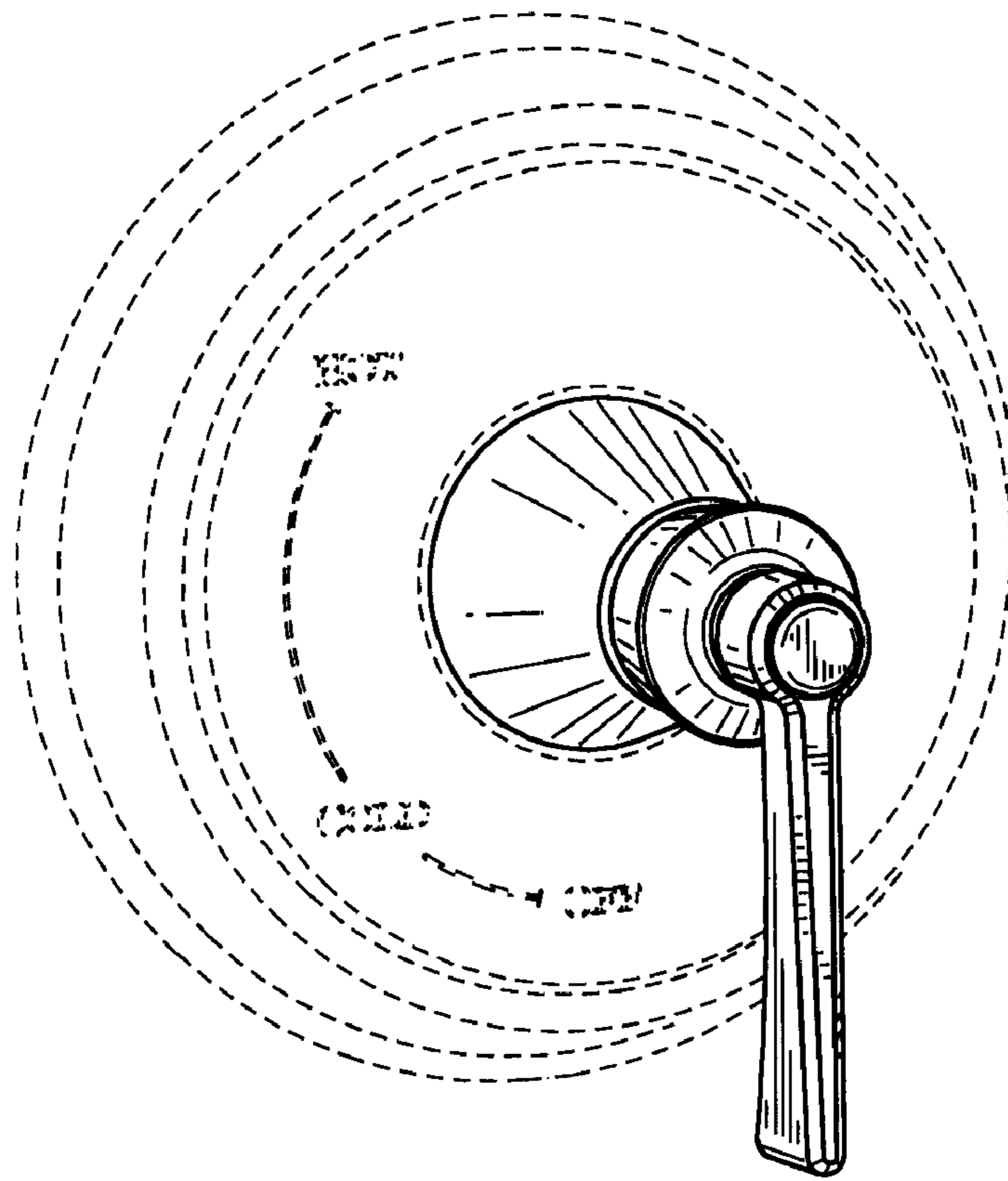
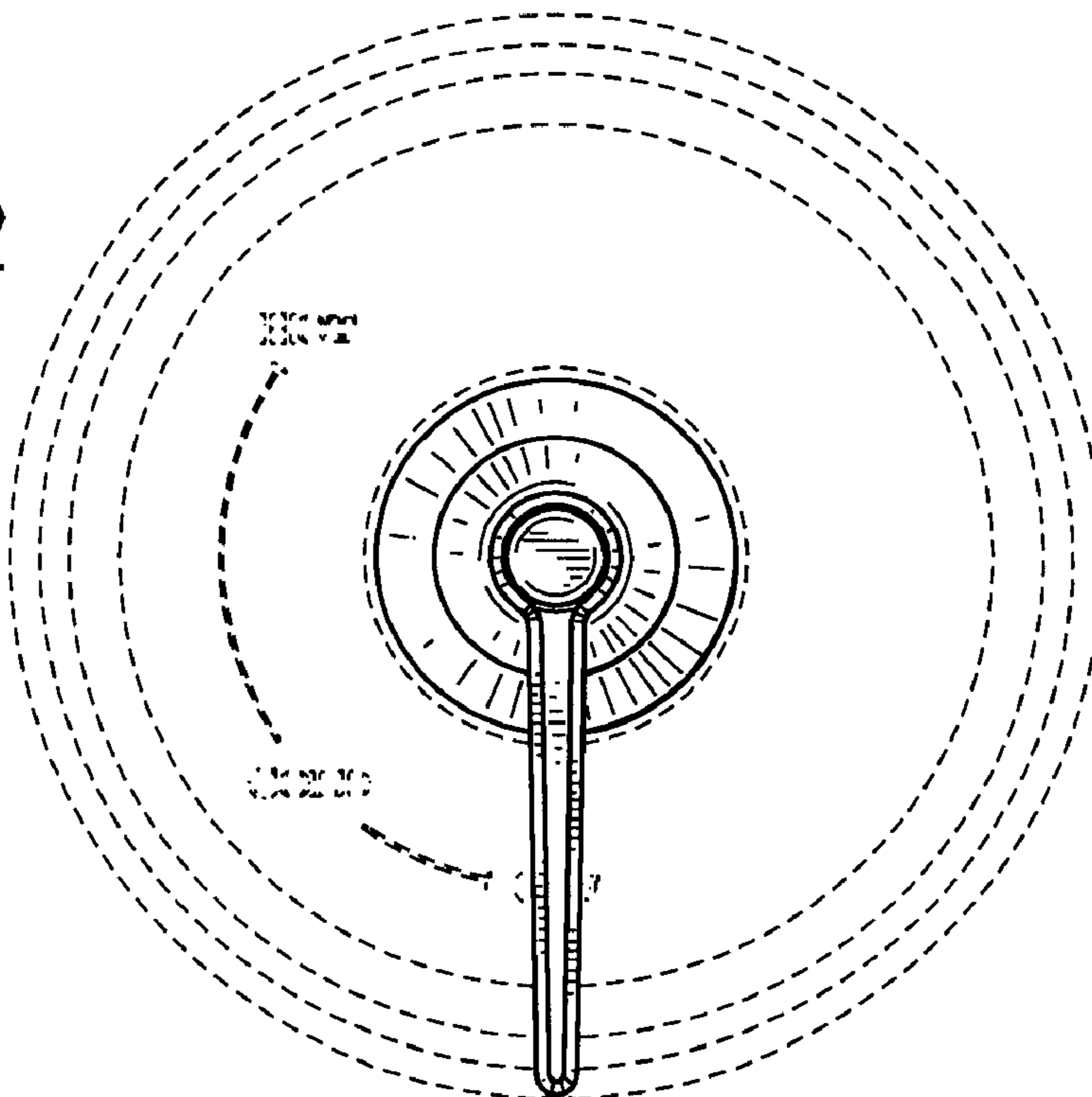


FIG. 1

FIG. 2



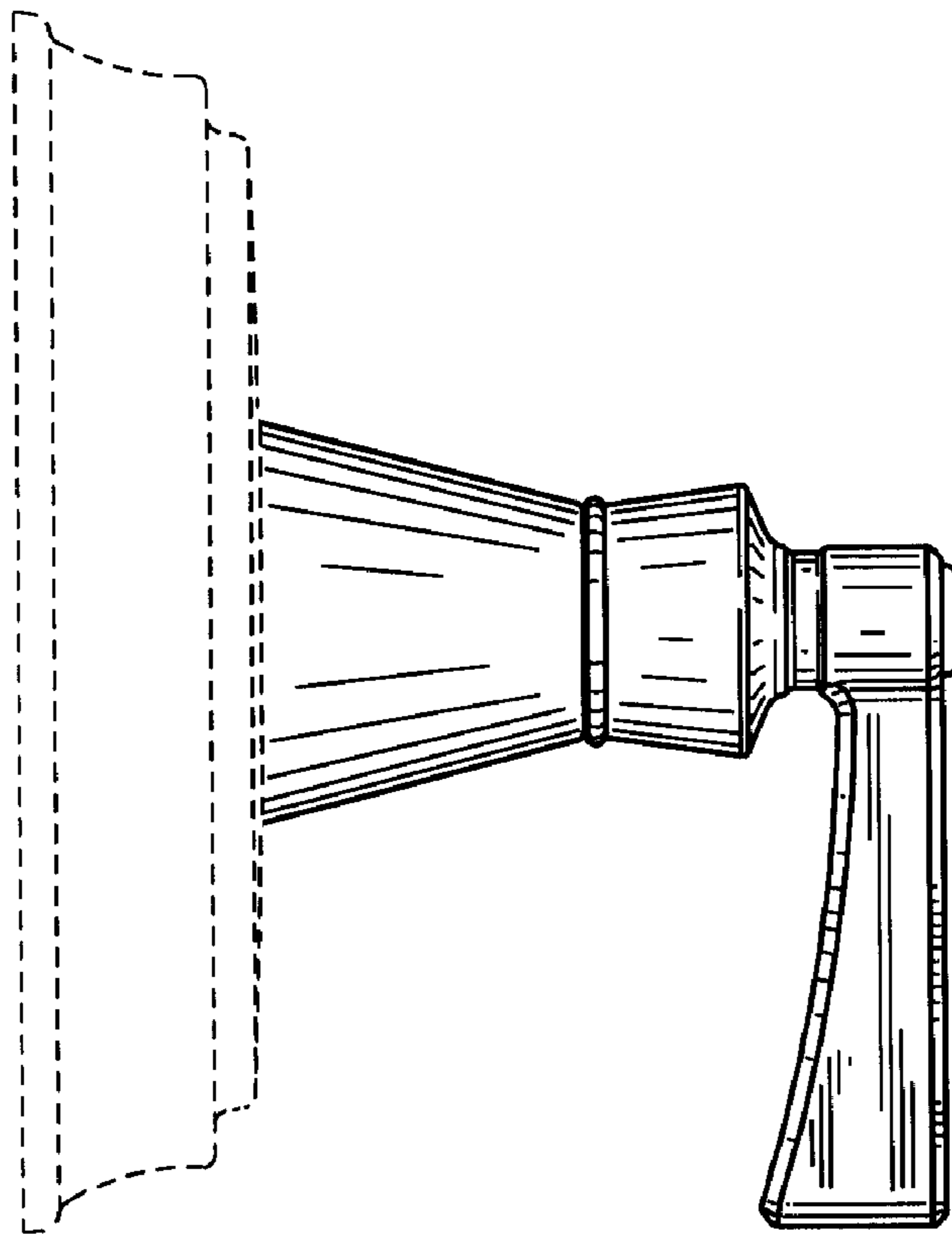


FIG. 3

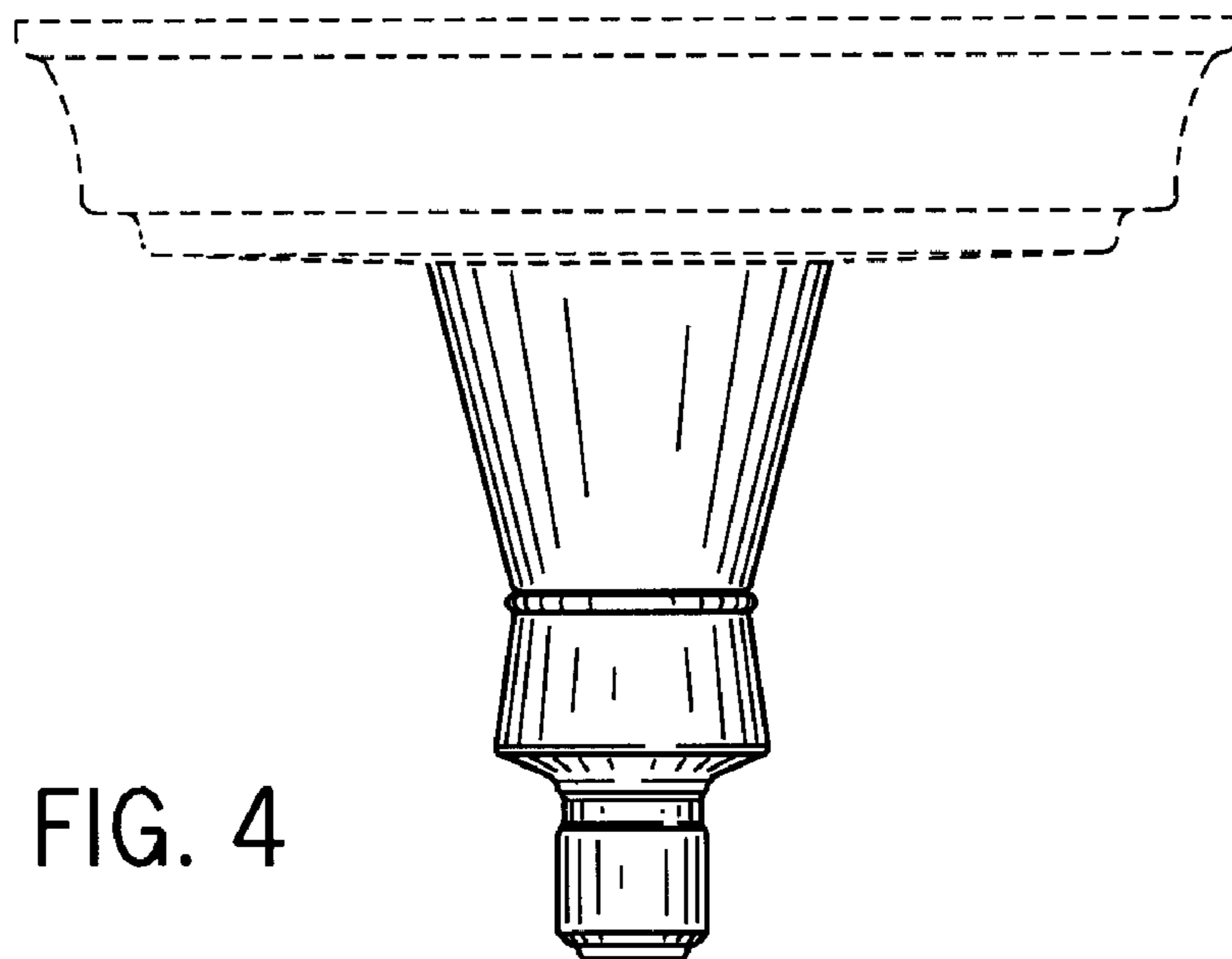


FIG. 4

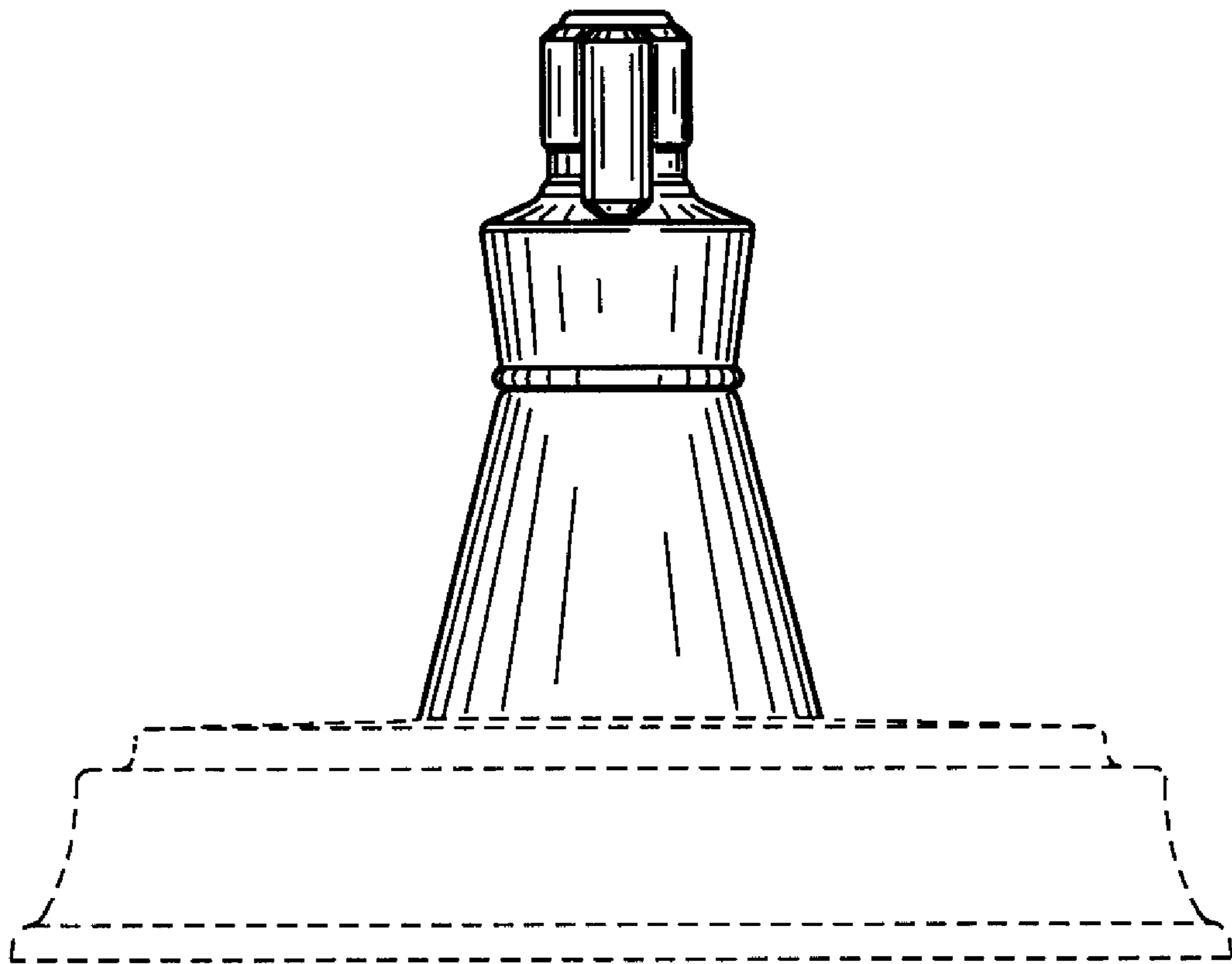


FIG. 5