



US00D587341S

(12) **United States Design Patent**  
**Stetson**

(10) **Patent No.:** **US D587,341 S**

(45) **Date of Patent:** **\*\* Feb. 24, 2009**

(54) **POOL FILL VALVE**

(75) Inventor: **Michael A. Stetson**, Lake Elsinore, CA  
(US)

(73) Assignee: **Stetson Development, Inc.**, Lake  
Elsinore, CA (US)

(\*\*) Term: **14 Years**

(21) Appl. No.: **29/285,155**

(22) Filed: **Mar. 22, 2007**

(51) **LOC (9) Cl.** ..... **23-01**

(52) **U.S. Cl.** ..... **D23/233**

(58) **Field of Classification Search** ..... D23/233–237,  
D23/244–249; 137/434, 447, 448–449  
See application file for complete search history.

(56) **References Cited**

U.S. PATENT DOCUMENTS

2,827,072	A *	3/1958	Lund et al.	.....	137/414
D208,185	S *	7/1967	McLarty	.....	D23/236
D237,180	S *	10/1975	Rawdon	.....	D23/236
4,640,307	A *	2/1987	Roberts	.....	137/448
4,646,780	A *	3/1987	Spooner	.....	137/426
4,796,650	A *	1/1989	Hwang	.....	137/443
D346,431	S *	4/1994	Alberico	.....	D23/236
D368,131	S	3/1996	Stone, III		
D439,313	S *	3/2001	Wey et al.	.....	D23/236
D457,600	S	5/2002	Stone, III		

D479,578	S *	9/2003	Witzig	.....	D23/236
D513,787	S *	1/2006	Tickle et al.	.....	D23/236
D538,888	S *	3/2007	Moura De Oliveira	.....	D23/233
D559,358	S *	1/2008	Moura de Oliveira	.....	D23/236

\* cited by examiner

*Primary Examiner*—Ian Simmons

*Assistant Examiner*—Maurice Stevens

(74) *Attorney, Agent, or Firm*—Stetina Brunda Garred &  
Brucker

(57) **CLAIM**

The ornamental design for a pool fill valve, as shown and described.

**DESCRIPTION**

FIG. 1 is a perspective view of the pool fill valve of the present invention showing my new design;

FIG. 2 is a top plan view thereof;

FIG. 3 is a front elevational view thereof;

FIG. 4 is a bottom plan view thereof;

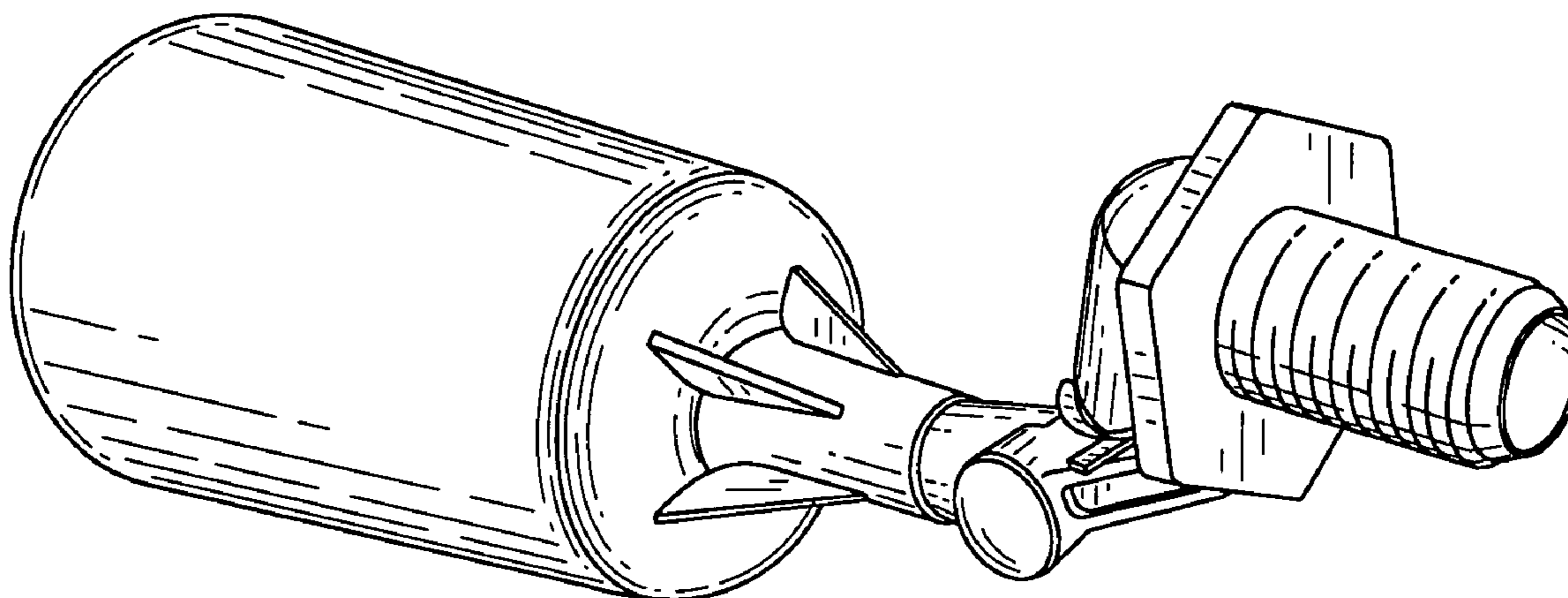
FIG. 5 is a rear elevational view thereof;

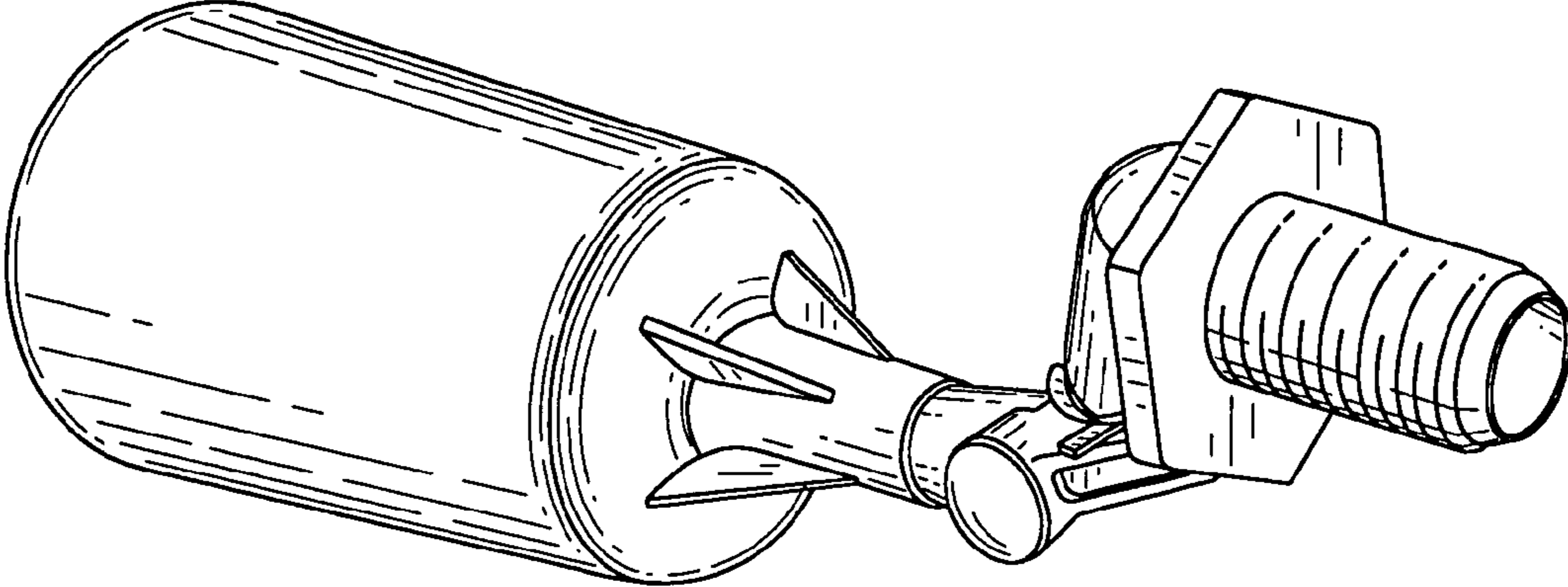
FIG. 6 is a left end view thereof;

FIG. 7 is a right end view thereof; and,

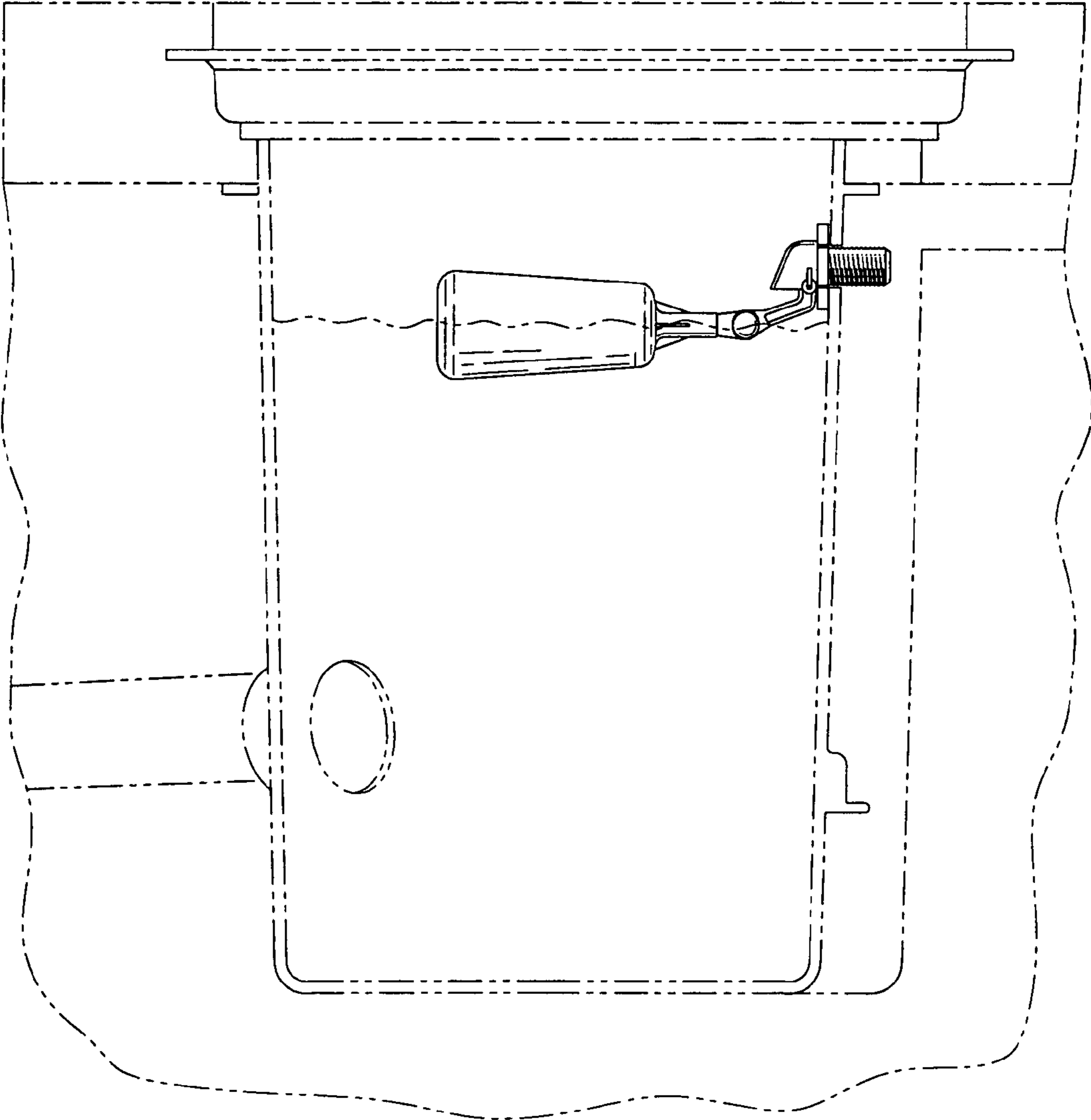
FIG. 8 is a front elevational view thereof with the dotted lines depicting solely environmental structure and forming no part of the claimed design.

**1 Claim, 2 Drawing Sheets**

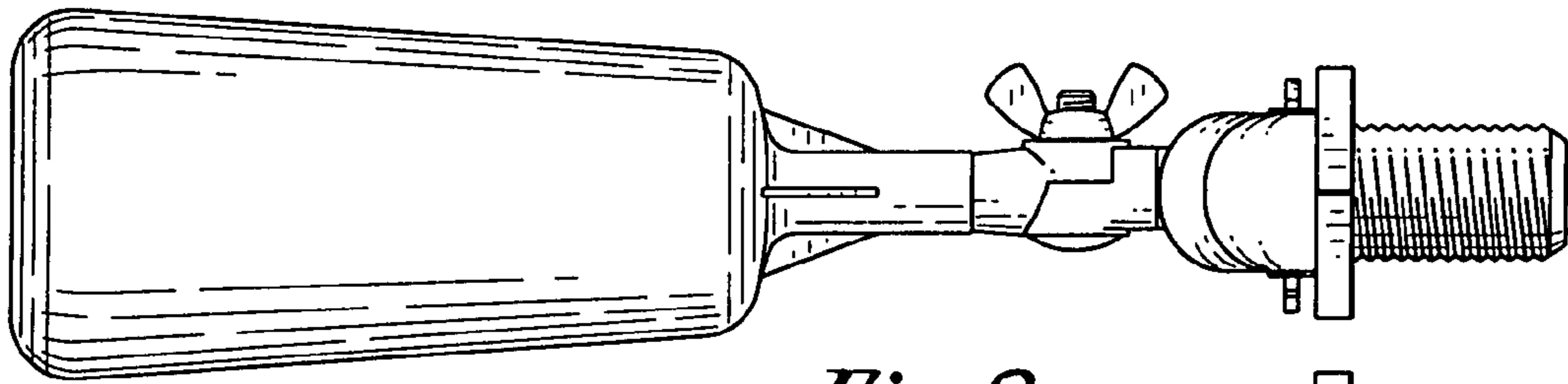




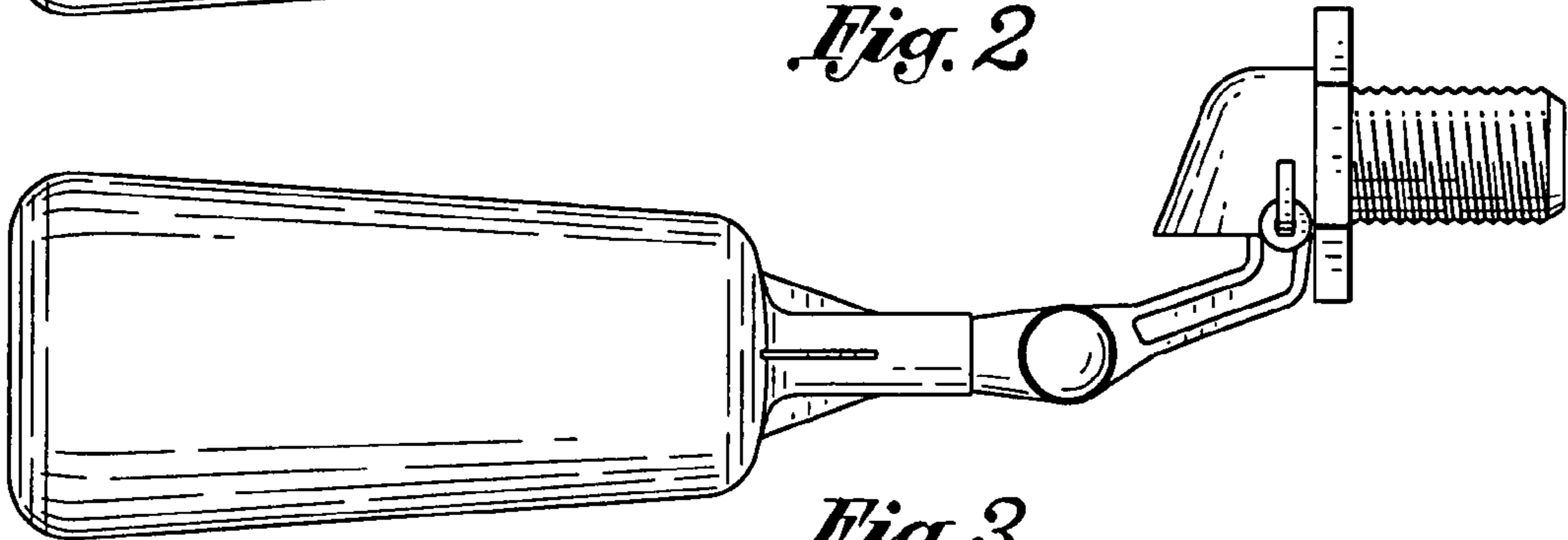
*Fig. 1*



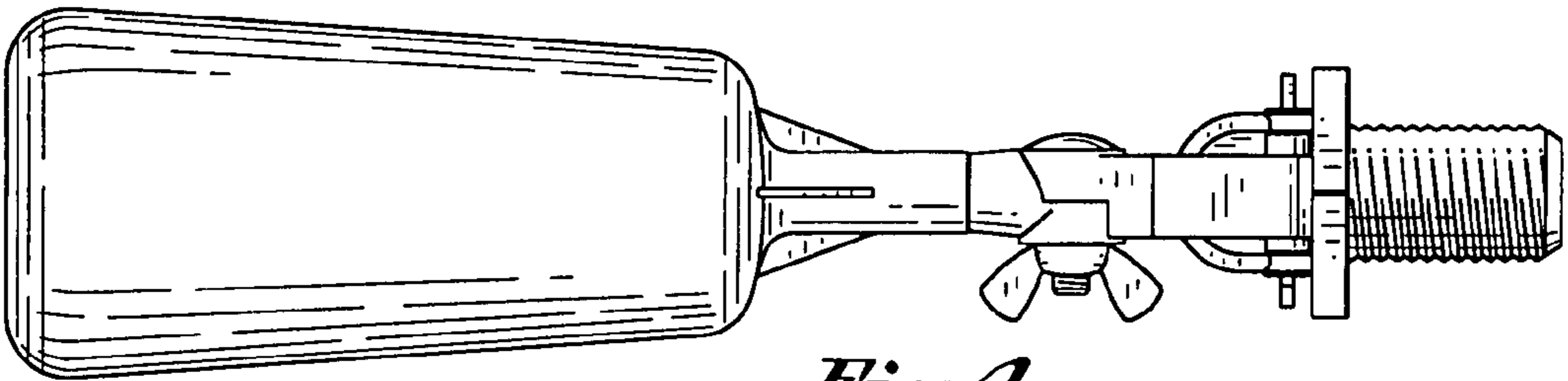
*Fig. 8*



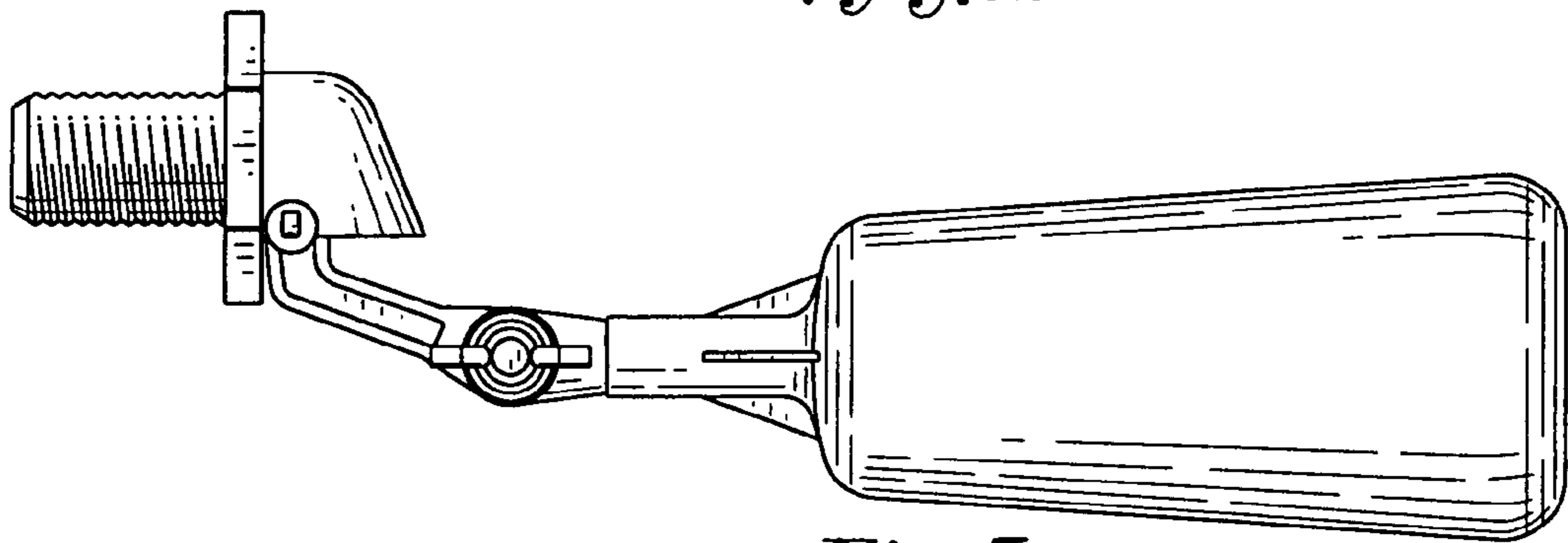
*Fig. 2*



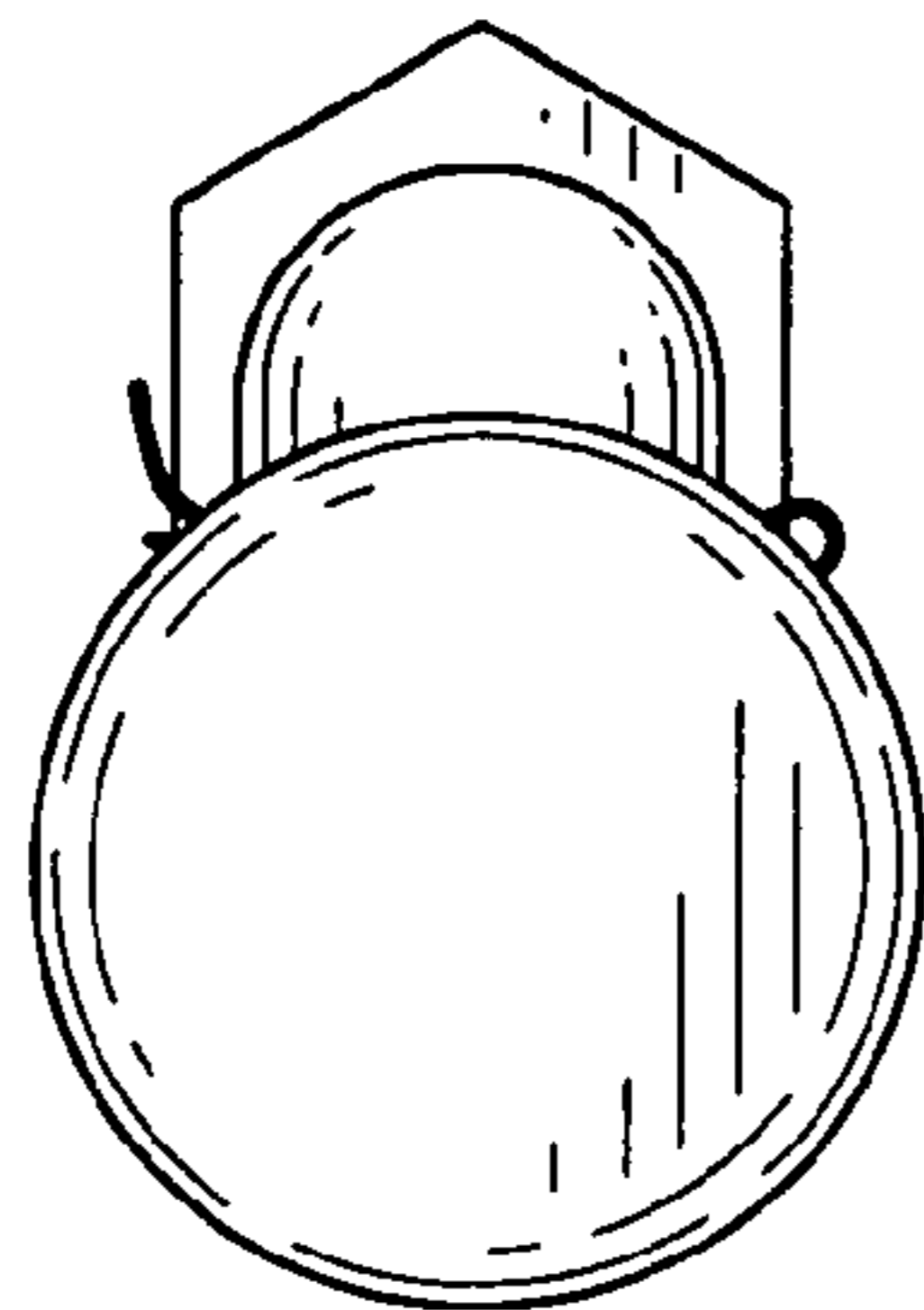
*Fig. 3*



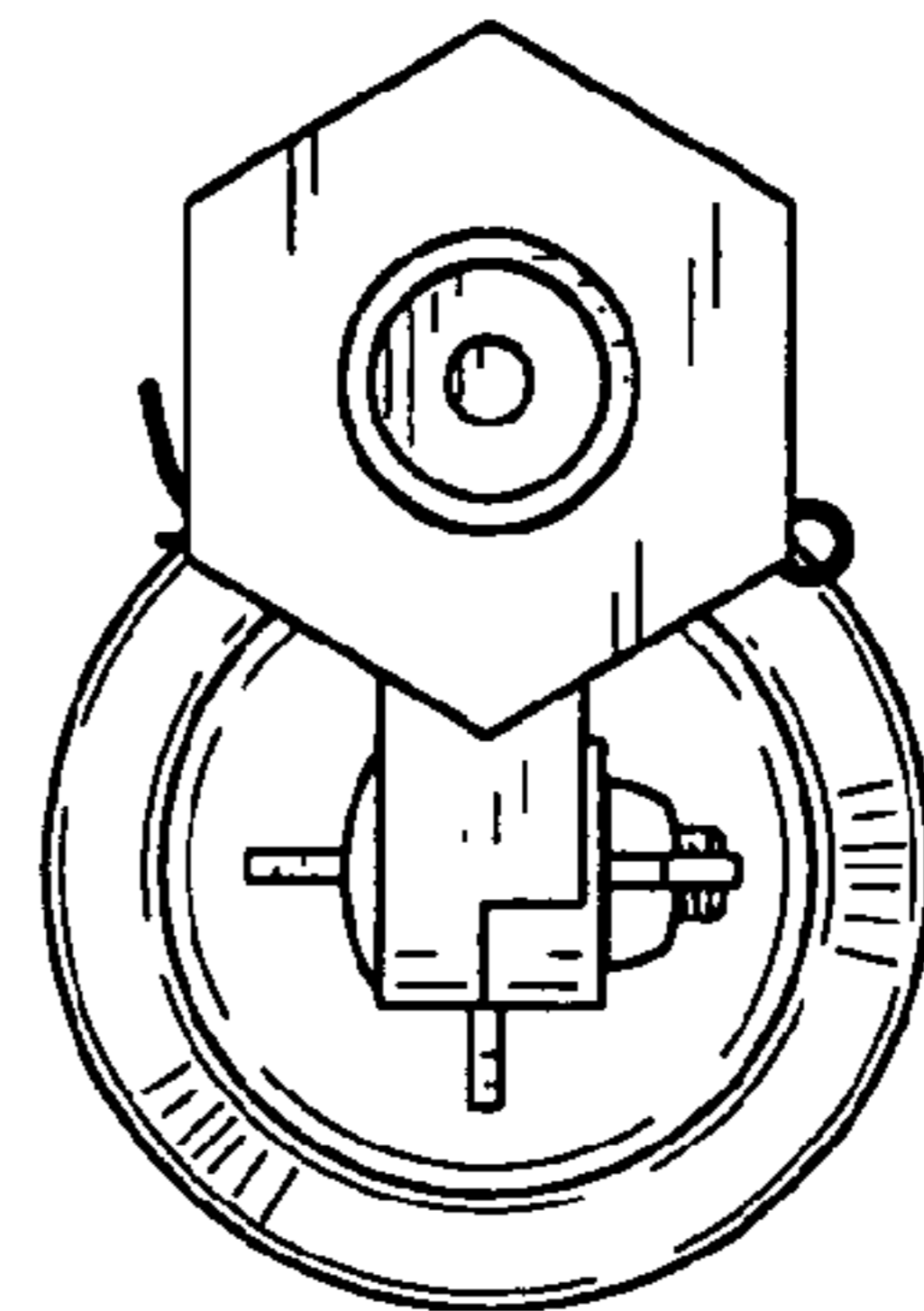
*Fig. 4*



*Fig. 5*



*Fig. 6*



*Fig. 7*